



# THE DATASHEET OF BDW47G



# BDW42G (NPN), BDW46G, BDW47G (PNP)

## Darlington Complementary Silicon Power Transistors

This series of plastic, medium-power silicon NPN and PNP Darlington transistors are designed for general purpose and low speed switching applications.

### Features

- High DC Current Gain –  $h_{FE} = 2500$  (typ) @  $I_C = 5.0$  Adc.
- Collector Emitter Sustaining Voltage @ 30 mAdc:  
 $V_{CE(sus)} = 80$  Vdc (min) – BDW46  
100 Vdc (min) – BDW42/BDW47
- Low Collector Emitter Saturation Voltage  
 $V_{CE(sat)} = 2.0$  Vdc (max) @  $I_C = 5.0$  Adc  
3.0 Vdc (max) @  $I_C = 10.0$  Adc
- Monolithic Construction with Built-In Base Emitter Shunt resistors
- TO-220 Compact Package
- These Devices are Pb-Free and are RoHS Compliant\*

### MAXIMUM RATINGS

| Rating  | Symbol         | Value       | Unit                     |
|---|----------------|-------------|--------------------------|
| Collector-Emitter Voltage<br>BDW46<br>BDW42, BDW47  | $V_{CEO}$      | 80<br>100   | Vdc                      |
| Collector-Base Voltage<br>BDW46<br>BDW42, BDW47   | $V_{CB}$       | 80<br>100   | Vdc                      |
| Emitter-Base Voltage  | $V_{EB}$       | 5.0         | Vdc                      |
| Collector Current   | $I_C$          | 15          | Adc                      |
| Base Current  | $I_B$          | 0.5         | Adc                      |
| Total Device Dissipation<br>@ $T_C = 25^\circ\text{C}$<br>Derate above $25^\circ\text{C}$ | $P_D$          | 85<br>0.68  | W<br>W/ $^\circ\text{C}$ |
| Operating and Storage Junction<br>Temperature Range                                       | $T_J, T_{stg}$ | -55 to +150 | $^\circ\text{C}$         |

Stresses exceeding those listed in the Maximum Ratings table may damage the device. If any of these limits are exceeded, device functionality should not be assumed, damage may occur and reliability may be affected.

### THERMAL CHARACTERISTICS

| Characteristic                          | Symbol          | Max  | Unit                      |
|---|-----------------|------|---------------------------|
| Thermal Resistance,<br>Junction-to-Case | $R_{\theta JC}$ | 1.47 | $^\circ\text{C}/\text{W}$ |

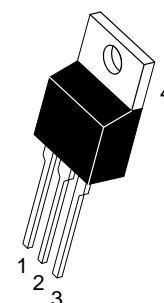
\*For additional information on our Pb-Free strategy and soldering details, please download the ON Semiconductor Soldering and Mounting Techniques Reference Manual, SOLDERRM/D.



ON Semiconductor®

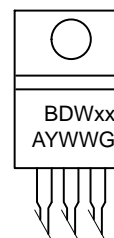
[www.onsemi.com](http://www.onsemi.com)

## 15 AMP DARLINGTON COMPLEMENTARY SILICON POWER TRANSISTORS 80-100 VOLT, 85 WATT



TO-220  
CASE 221A  
STYLE 1

### MARKING DIAGRAM



BDWxx = Device Code  
x = 42, 46, or 47  
A = Assembly Location  
Y = Year  
WW = Work Week  
G = Pb-Free Package

### ORDERING INFORMATION

| Device | Package             | Shipping      |
|--------|---------------------|---------------|
| BDW42G | TO-220<br>(Pb-Free) | 50 Units/Rail |
| BDW46G | TO-220<br>(Pb-Free) | 50 Units/Rail |
| BDW47G | TO-220<br>(Pb-Free) | 50 Units/Rail |

## BDW42G (NPN), BDW46G, BDW47G (PNP)

### ELECTRICAL CHARACTERISTICS ( $T_C = 25^\circ\text{C}$ unless otherwise noted)

| Characteristic  | Symbol   | Min            | Max                      | Unit             |      |
|---|--|----------------|--------------------------|------------------|------|
| <b>OFF CHARACTERISTICS</b>  |  |                |                          |                  |      |
| Collector Emitter Sustaining Voltage (Note 1)<br>( $I_C = 30 \text{ mAdc}$ , $I_B = 0$ )  | BDW46<br>BDW42/BDW47   | $V_{CEO(sus)}$ | 80<br>100                | –<br>–           | Vdc  |
| Collector Cutoff Current<br>( $V_{CE} = 40 \text{ Vdc}$ , $I_B = 0$ )<br>( $V_{CE} = 50 \text{ Vdc}$ , $I_B = 0$ )  | BDW46<br>BDW42/BDW47   | $I_{CEO}$      | –<br>–                   | 2.0<br>2.0       | mAdc |
| Collector Cutoff Current<br>( $V_{CB} = 80 \text{ Vdc}$ , $I_E = 0$ )<br>( $V_{CB} = 100 \text{ Vdc}$ , $I_E = 0$ )   | BDW46<br>BDW42/BDW47   | $I_{CBO}$      | –<br>–                   | 1.0<br>1.0       | mAdc |
| Emitter Cutoff Current<br>( $V_{BE} = 5.0 \text{ Vdc}$ , $I_C = 0$ )  |  | $I_{EBO}$      | –                        | 2.0              | mAdc |
| <b>ON CHARACTERISTICS (Note 1)</b>  |  |                |                          |                  |      |
| DC Current Gain<br>( $I_C = 5.0 \text{ Adc}$ , $V_{CE} = 4.0 \text{ Vdc}$ )<br>( $I_C = 10 \text{ Adc}$ , $V_{CE} = 4.0 \text{ Vdc}$ )                            |  | $h_{FE}$       | 1000<br>250              | –<br>–           |      |
| Collector–Emitter Saturation Voltage<br>( $I_C = 5.0 \text{ Adc}$ , $I_B = 10 \text{ mAdc}$ )<br>( $I_C = 10 \text{ Adc}$ , $I_B = 50 \text{ mAdc}$ )             |  | $V_{CE(sat)}$  | –<br>–                   | 2.0<br>3.0       | Vdc  |
| Base–Emitter On Voltage<br>( $I_C = 10 \text{ Adc}$ , $V_{CE} = 4.0 \text{ Vdc}$ )  |  | $V_{BE(on)}$   | –                        | 3.0              | Vdc  |
| <b>SECOND BREAKDOWN (Note 2)</b>  |  |                |                          |                  |      |
| Second Breakdown Collector<br>Current with Base Forward Biased<br>BDW42<br><br>BDW46/BDW47  | $V_{CE} = 28.4 \text{ Vdc}$<br>$V_{CE} = 40 \text{ Vdc}$<br>$V_{CE} = 22.5 \text{ Vdc}$<br>$V_{CE} = 36 \text{ Vdc}$ | $I_{S/b}$      | 3.0<br>1.2<br>3.8<br>1.2 | –<br>–<br>–<br>– | Adc  |
| <b>DYNAMIC CHARACTERISTICS</b>  |  |                |                          |                  |      |
| Magnitude of common emitter small signal short circuit current transfer ratio<br>( $I_C = 3.0 \text{ Adc}$ , $V_{CE} = 3.0 \text{ Vdc}$ , $f = 1.0 \text{ MHz}$ ) |  | $f_T$          | 4.0                      | –                | MHz  |
| Output Capacitance<br>( $V_{CB} = 10 \text{ Vdc}$ , $I_E = 0$ , $f = 0.1 \text{ MHz}$ )   | BDW42<br>BDW46/BDW47   | $C_{ob}$       | –<br>–                   | 200<br>300       | pF   |
| Small–Signal Current Gain<br>( $I_C = 3.0 \text{ Adc}$ , $V_{CE} = 3.0 \text{ Vdc}$ , $f = 1.0 \text{ kHz}$ )   |  | $h_{fe}$       | 300                      | –                |      |

Product parametric performance is indicated in the Electrical Characteristics for the listed test conditions, unless otherwise noted. Product performance may not be indicated by the Electrical Characteristics if operated under different conditions.

1. Pulse Test: Pulse Width = 300  $\mu\text{s}$ , Duty Cycle = 2.0%.
2. Pulse Test non repetitive: Pulse Width = 250 ms.

# BDW42G (NPN), BDW46G, BDW47G (PNP)

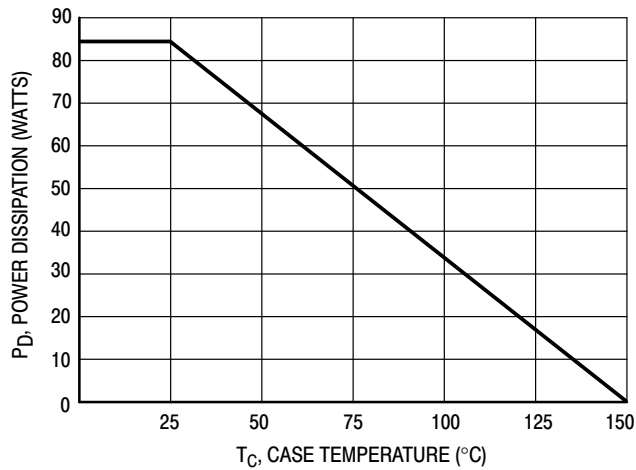


Figure 1. Power Temperature Derating Curve

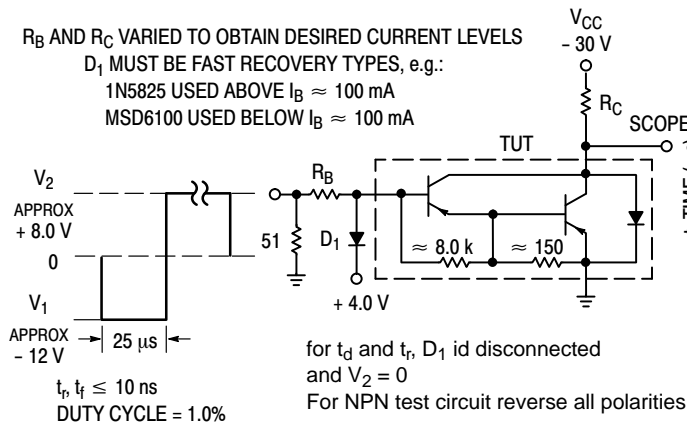


Figure 2. Switching Times Test Circuit

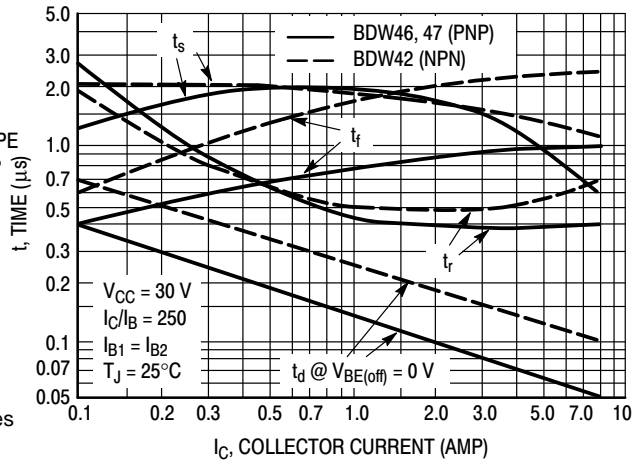


Figure 3. Switching Times

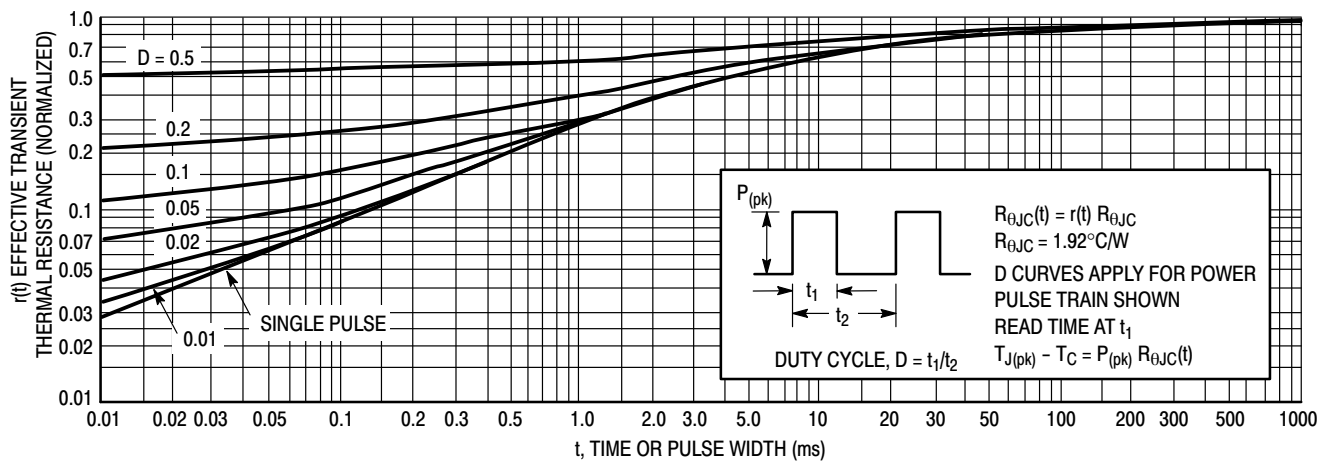


Figure 4. Thermal Response

# BDW42G (NPN), BDW46G, BDW47G (PNP)

## ACTIVE-REGION SAFE OPERATING AREA

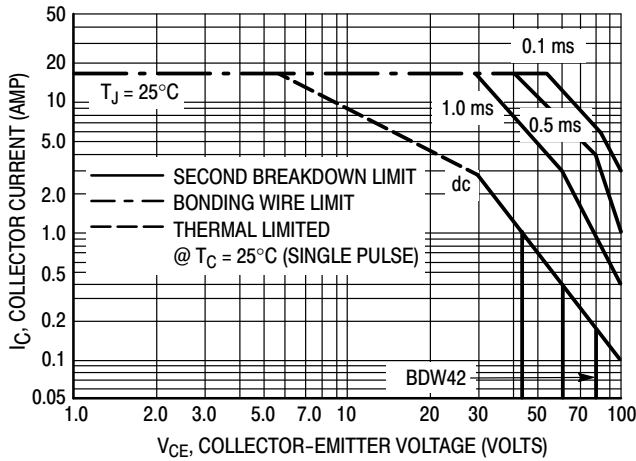


Figure 5. BDW42

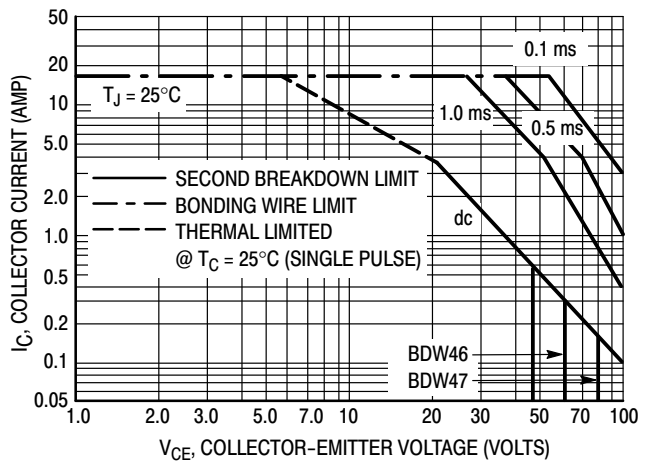


Figure 6. BDW46 and BDW47

There are two limitations on the power handling ability of a transistor: average junction temperature and second breakdown. Safe operating area curves indicate  $I_C - V_{CE}$  limits of the transistor that must be observed for reliable operation; i.e., the transistor must not be subjected to greater dissipation than the curves indicate. The data of Figure 5 and 6 is based on  $T_{J(pk)} = 200^\circ\text{C}$ ;  $T_C$  is variable depending on conditions.

Second breakdown pulse limits are valid for duty cycles to 10% provided  $T_{J(pk)} \leq 200^\circ\text{C}$ .  $T_{J(pk)}$  may be calculated from the data in Figure 4. At high case temperatures, thermal limitations will reduce the power that can be handled to values less than the limitations imposed by second breakdown.

\*Linear extrapolation

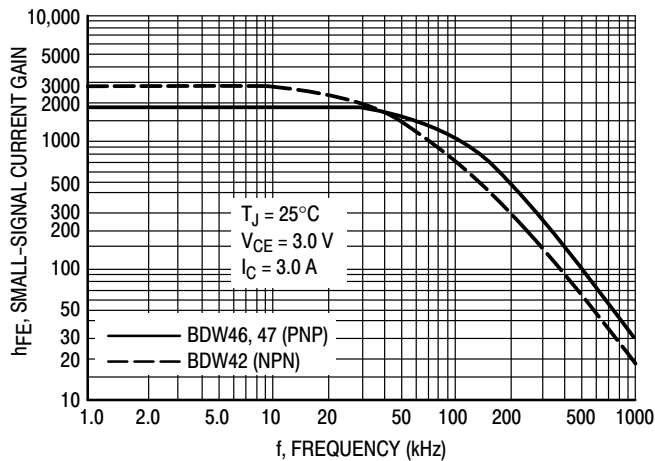


Figure 7. Small-Signal Current Gain

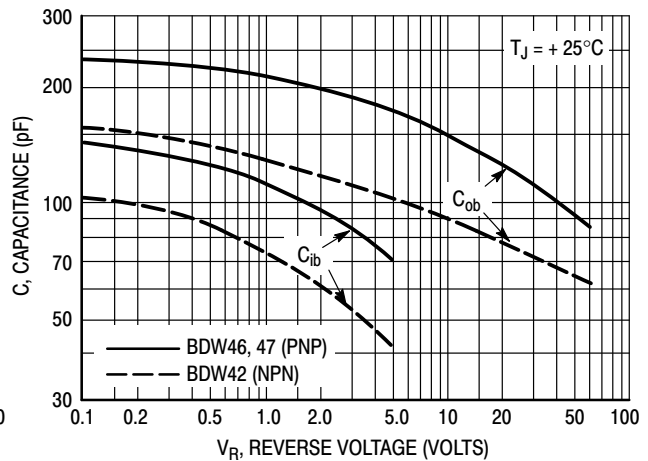
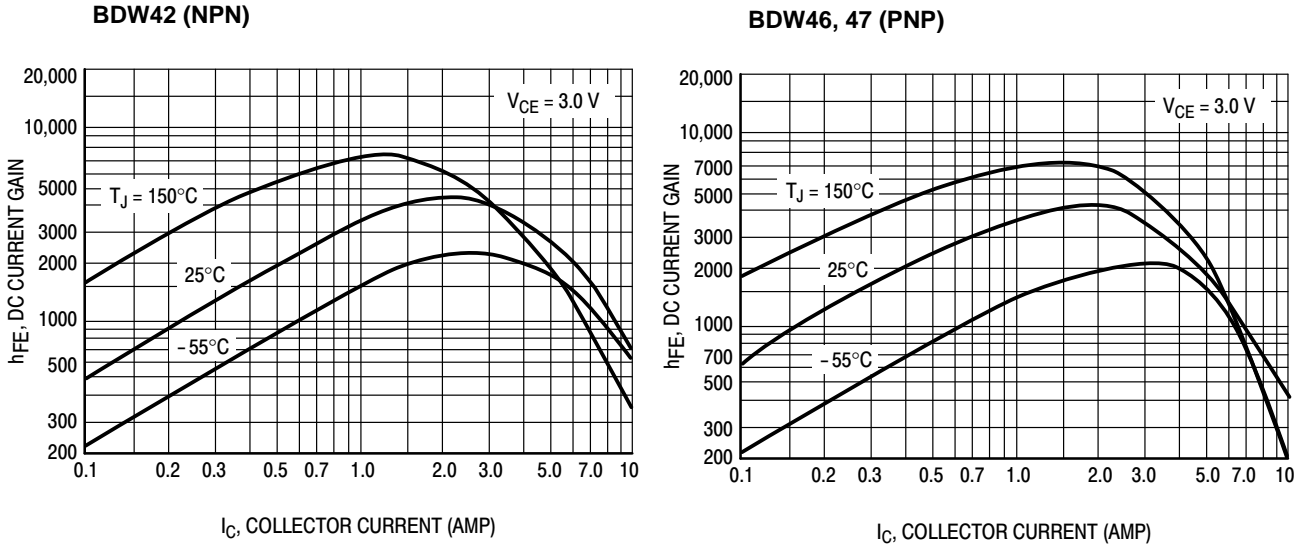
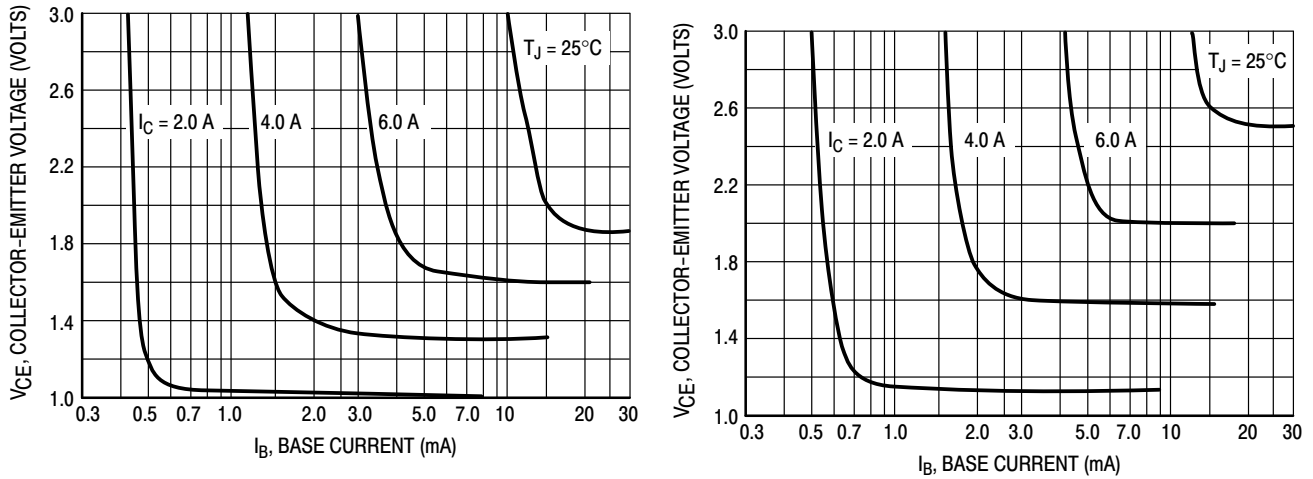


Figure 8. Capacitance

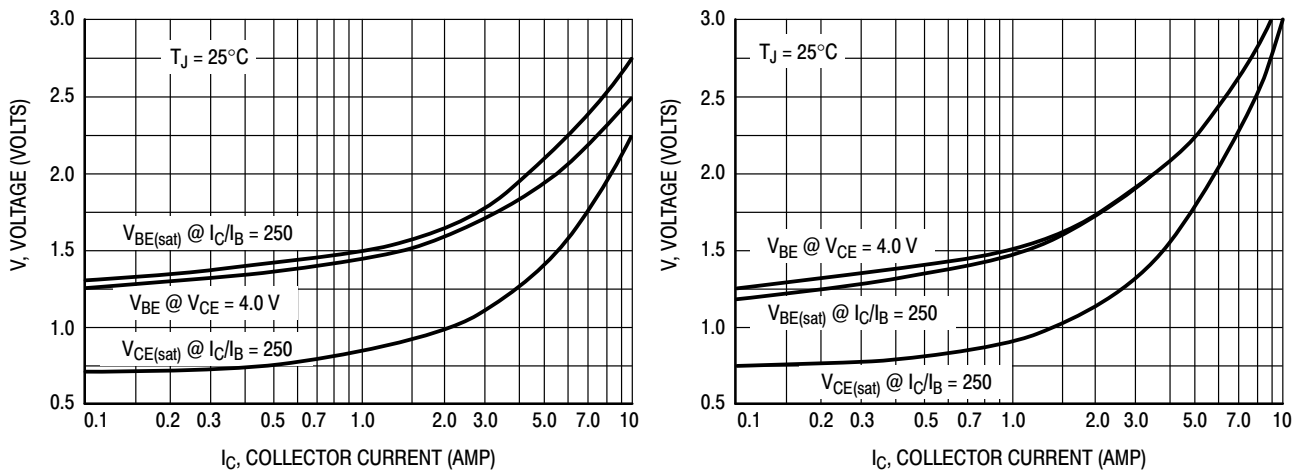
# BDW42G (NPN), BDW46G, BDW47G (PNP)



**Figure 9. DC Current Gain**



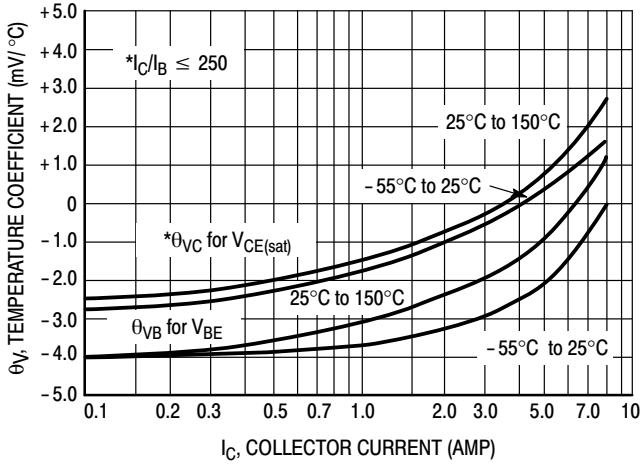
**Figure 10. Collector Saturation Region**



**Figure 11. "On" Voltages**

# BDW42G (NPN), BDW46G, BDW47G (PNP)

BDW42 (NPN)



BDW46, 47 (PNP)

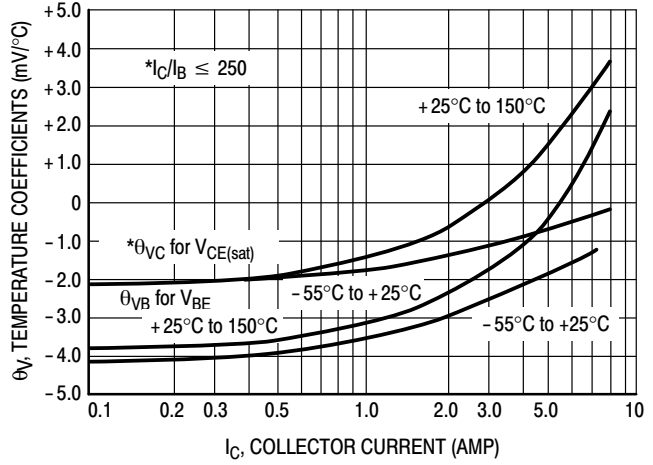


Figure 12. Temperature Coefficients

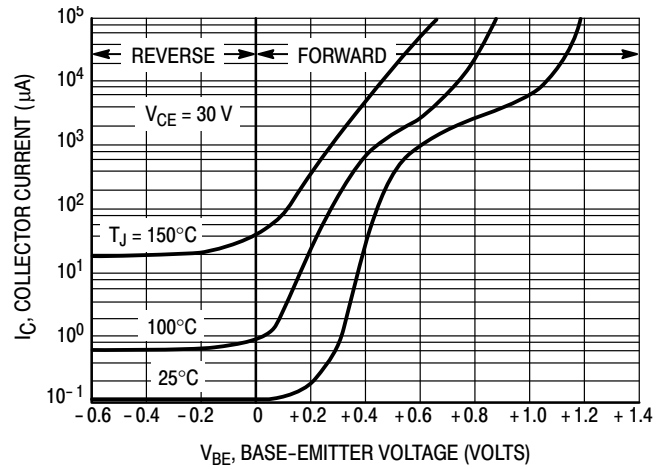
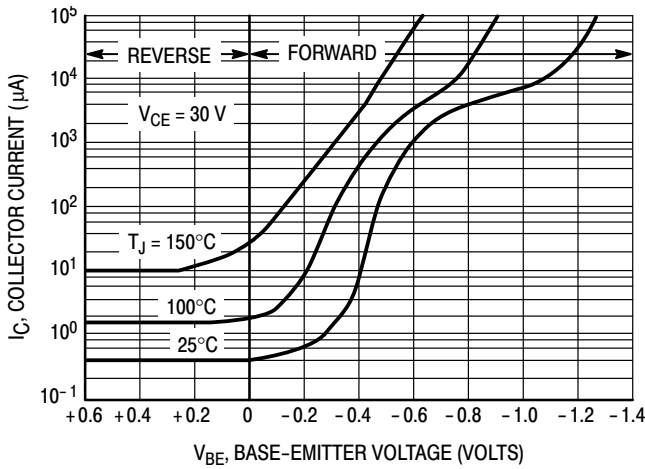


Figure 13. Collector Cut-Off Region

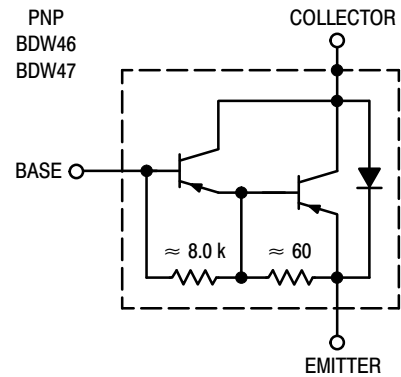
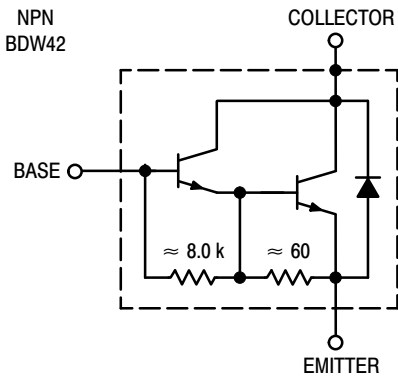
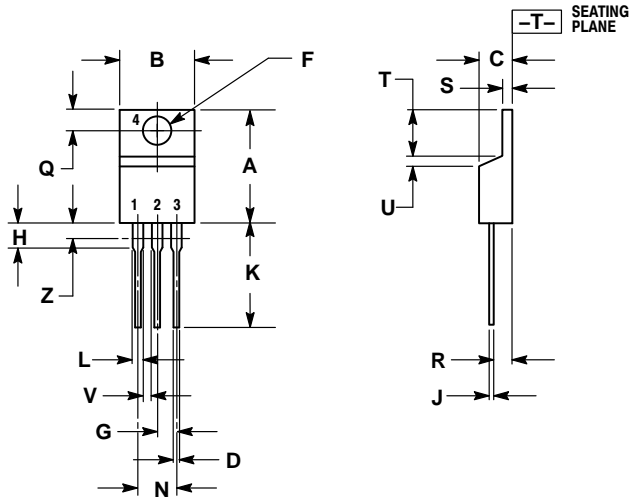


Figure 14. Darlington Schematic

# BDW42G (NPN), BDW46G, BDW47G (PNP)

## PACKAGE DIMENSIONS

TO-220  
CASE 221A-09  
ISSUE AH



NOTES:

1. DIMENSIONING AND TOLERANCING PER ANSI Y14.5M, 1982.
2. CONTROLLING DIMENSION: INCH.
3. DIMENSION Z DEFINES A ZONE WHERE ALL BODY AND LEAD IRREGULARITIES ARE ALLOWED.

| DIM | INCHES |       | MILLIMETERS |       |
|-----|--------|-------|-------------|-------|
|     | MIN    | MAX   | MIN         | MAX   |
| A   | 0.570  | 0.620 | 14.48       | 15.75 |
| B   | 0.380  | 0.415 | 9.66        | 10.53 |
| C   | 0.160  | 0.190 | 4.07        | 4.83  |
| D   | 0.025  | 0.038 | 0.64        | 0.96  |
| F   | 0.142  | 0.161 | 3.61        | 4.09  |
| G   | 0.095  | 0.105 | 2.42        | 2.66  |
| H   | 0.110  | 0.161 | 2.80        | 4.10  |
| J   | 0.014  | 0.024 | 0.36        | 0.61  |
| K   | 0.500  | 0.562 | 12.70       | 14.27 |
| L   | 0.045  | 0.060 | 1.15        | 1.52  |
| N   | 0.190  | 0.210 | 4.83        | 5.33  |
| Q   | 0.100  | 0.120 | 2.54        | 3.04  |
| R   | 0.080  | 0.110 | 2.04        | 2.79  |
| S   | 0.045  | 0.055 | 1.15        | 1.39  |
| T   | 0.235  | 0.255 | 5.97        | 6.47  |
| U   | 0.000  | 0.050 | 0.00        | 1.27  |
| V   | 0.045  | ---   | 1.15        | ---   |
| Z   | ---    | 0.080 | ---         | 2.04  |

STYLE 1:

1. BASE
2. COLLECTOR
3. EMITTER
4. COLLECTOR

ON Semiconductor and are trademarks of Semiconductor Components Industries, LLC dba ON Semiconductor or its subsidiaries in the United States and/or other countries. ON Semiconductor owns the rights to a number of patents, trademarks, copyrights, trade secrets, and other intellectual property. A listing of ON Semiconductor's product/patent coverage may be accessed at [www.onsemi.com/site/pdf/Patent-Marking.pdf](http://www.onsemi.com/site/pdf/Patent-Marking.pdf). ON Semiconductor reserves the right to make changes without further notice to any products herein. ON Semiconductor makes no warranty, representation or guarantee regarding the suitability of its products for any particular purpose, nor does ON Semiconductor assume any liability arising out of the application or use of any product or circuit, and specifically disclaims any and all liability, including without limitation special, consequential or incidental damages. Buyer is responsible for its products and applications using ON Semiconductor products, including compliance with all laws, regulations and safety requirements or standards, regardless of any support or applications information provided by ON Semiconductor. "Typical" parameters which may be provided in ON Semiconductor data sheets and/or specifications can and do vary in different applications and actual performance may vary over time. All operating parameters, including "Typicals" must be validated for each customer application by customer's technical experts. ON Semiconductor does not convey any license under its patent rights nor the rights of others. ON Semiconductor products are not designed, intended, or authorized for use as a critical component in life support systems or any FDA Class 3 medical devices or medical devices with a same or similar classification in a foreign jurisdiction or any devices intended for implantation in the human body. Should Buyer purchase or use ON Semiconductor products for any such unintended or unauthorized application, Buyer shall indemnify and hold ON Semiconductor and its officers, employees, subsidiaries, affiliates, and distributors harmless against all claims, costs, damages, and expenses, and reasonable attorney fees arising out of, directly or indirectly, any claim of personal injury or death associated with such unintended or unauthorized use, even if such claim alleges that ON Semiconductor was negligent regarding the design or manufacture of the part. ON Semiconductor is an Equal Opportunity/Affirmative Action Employer. This literature is subject to all applicable copyright laws and is not for resale in any manner.

### PUBLICATION ORDERING INFORMATION

**LITERATURE FULFILLMENT:**

Literature Distribution Center for ON Semiconductor  
19521 E. 32nd Pkwy, Aurora, Colorado 80011 USA  
**Phone:** 303-675-2175 or 800-344-3860 Toll Free USA/Canada  
**Fax:** 303-675-2176 or 800-344-3867 Toll Free USA/Canada  
**Email:** [orderlit@onsemi.com](mailto:orderlit@onsemi.com)

**N. American Technical Support:** 800-282-9855 Toll Free  
USA/Canada  
**Europe, Middle East and Africa Technical Support:**  
Phone: 421 33 790 2910  
**Japan Customer Focus Center**  
Phone: 81-3-5817-1050

**ON Semiconductor Website:** [www.onsemi.com](http://www.onsemi.com)

**Order Literature:** <http://www.onsemi.com/orderlit>

For additional information, please contact your local Sales Representative

## Looking for pricing, stock, or lifecycle information?

Click below to explore more details on WIN SOURCE:

- ⊖ [View BDW47G on WIN SOURCE](#)
- ⊖ [ON Semiconductor Information](#)

## Optimize Your Supply Chain with WIN SOURCE Solutions

- ✓ Global Sourcing Solution
- ✓ Obsolete Management
- ✓ Cost Control Management
- ✓ Shortage Management
- ✓ Alternative Solution
- ✓ Excess Inventory Management