



## 2.5/3.3V 220MHz High-Speed, Low-Jitter, Low-Skew, Zero-Delay Clock Buffer with 9 Outputs

### Features

- Phase-Lock Loop Clock Distribution (Zero Input-to-Output Delay)
- Internal feedback connection
- Distributes one-to-two banks of four outputs w/ one CLKOUT (9 - outputs total)
- High-Performance
  - 60 MHz to 220 MHz operation frequency range
  - <100ps output-to-output skew
  - <100ps cycle-to-cycle jitter
  - Low Power Configuration - 32mA (outputs unloaded)
- Spread-spectrum capable
- Power supply: +2.5V ±5% ; +3.3V ±10%
- Industrial temperature range parts available
- Packaging (Pb-free & Green):
  - 16-pin TSSOP (L)
  - 16-pin SOIC (W)

### Description

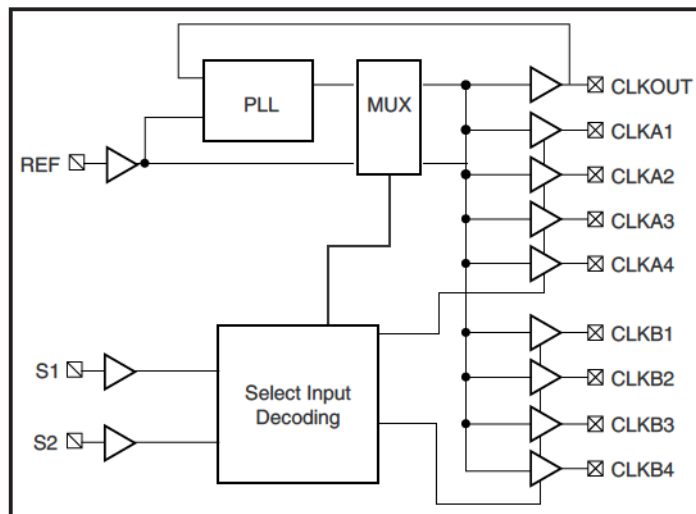
The PI6C22409-1H is a low-jitter, low-skew, high-speed Zero-Delay Buffer with 9 outputs designed to address high-speed clock distribution applications.

The PI6C22409-1H features an internal patented Phase Lock Loop (PLL) with high drive output capability and internal feedback.

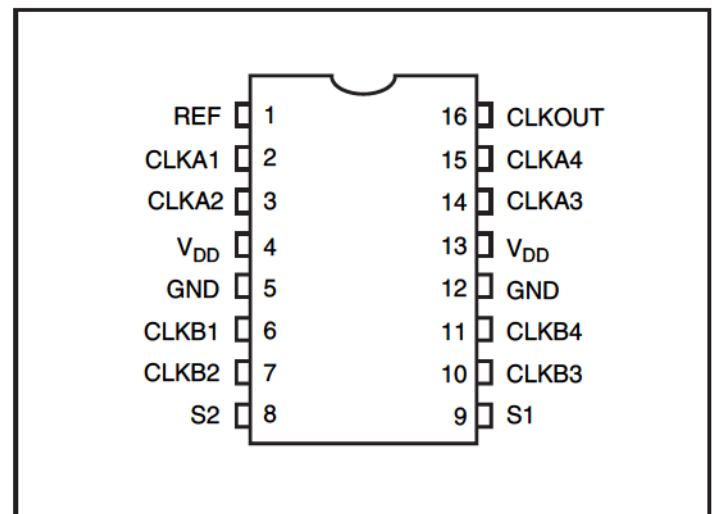
The PI6C22409-1H operates from a 2.5V ±5% or 3.3V ±10% supply. All support documentation can be found on Pericom's web site at: [www.pericom.com](http://www.pericom.com).

Pericom can customize these devices for specific requirements.

### Block Diagram



### Pin Configuration



### Pin Description

Pin	Signal	Description
1	REF	Reference clock input with weak pull down.
2,3,6,7, 10,11,14,15	CLKA1, CLKA2, CLKB1, CLKB2, CLKB3, CLKB4, CLKA3, CLKA4, CLKOUT	Clock output. Clock outputs with weak pull-down.
16	CLKOUT	Clock output. Internal feedback on this pin.
5,12	GND	Ground
4,13	V <sub>DD</sub>	Power
8,9	S2, S1	Select input with weak pull-ups.

### Select Input Decoding

S2	S1	Clock A1 - A4	Clock B1 - B4	CLKOUT	Output Source	PLL shutdown
0	0	Tri-State	Tri-State	Driven	PLL	N
0	1	Driven	Tri-State	Driven	PLL	N
1	0	Driven	Driven	Driven	Reference	Y
1	1	Driven	Driven	Driven	PLL	N

### Maximum Ratings<sup>(1)</sup>

Supply Voltage	
V <sub>DD</sub> .....	-0.5V to +4.6V
REF .....	-0.5V to +4.6V
Input Current .....	-50mA
Output Current .....	±50mA
Lead Temperature (cap soldering, 10 sec.) .....	+260°C
Storage Temperature (T <sub>s</sub> ) .....	-65°C to +150°C
Junction Temperature .....	+150°C
Operating Temperature (cap industrial) .....	-40°C to +85°C
Operating Temperature (cap commercial) .....	.0°C to +70°C

### Operation Ratings<sup>(2)</sup>

Supply voltage	
V <sub>DD</sub> .....	+3.0V to +3.6V
V <sub>DD</sub> .....	+2.375V to +2.625V
Ambient Temperature (T <sub>A</sub> ) .....	0°C to +70°C
Package Thermal Resistance <sup>(2)</sup>	
θ <sub>JA</sub>	
Still-Air (SOIC-16) .....	89°C/W
Still-Air (SOIC-16) .....	90°C/W
θ <sub>JB</sub>	
Junction-to-Board (SOIC-16) .....	26°C
Junction-to-Board (TSSOP-16) .....	24°C

Notes:

1. Stresses greater than those listed under Maximum Ratings may cause permanent damage to the device. This is a stress rating only and functional operation of the device at these or any other conditions above those indicated in the operational sections of the this specifications is not implied. Exposure to absolute maximum rating conditions for extended periods may affect reliability.
2. θ<sub>JA</sub> and θ<sub>JB</sub> values are determined for a 4-layer board in still-air, unless otherwise stated.

**DC Electrical Characteristics**

Parameter	Description	Test Conditions	Min.	Max.	Units	
V <sub>IL</sub>	Input LOW Voltage	V <sub>DD</sub> = 3.3V		0.8	V	
		V <sub>DD</sub> = 2.5V		0.7		
V <sub>IH</sub>	Input HIGH Voltage	V <sub>DD</sub> = 3.3V	2.0			
		V <sub>DD</sub> = 2.5V	1.7			
I <sub>IL</sub>	Input LOW Current	V <sub>IN</sub> = 0V		50	μA	
I <sub>IH</sub>	Input HIGH Current	V <sub>IN</sub> = V <sub>DD</sub>		125		
V <sub>OL</sub>	Output LOW Voltage	I <sub>OL</sub> = 12mA	V <sub>DD</sub> = 3.3V		0.25	V
			V <sub>DD</sub> = 2.5V		0.35	
V <sub>OH</sub>	Output HIGH Voltage	V <sub>DD</sub> = 2.5V, I <sub>OH</sub> = -12mA	1.9			
		V <sub>DD</sub> = 3.3V, I <sub>OH</sub> = -12mA	2.55			
I <sub>DD</sub>	Supply Current	Unloaded outputs 66 MHz		32	mA	

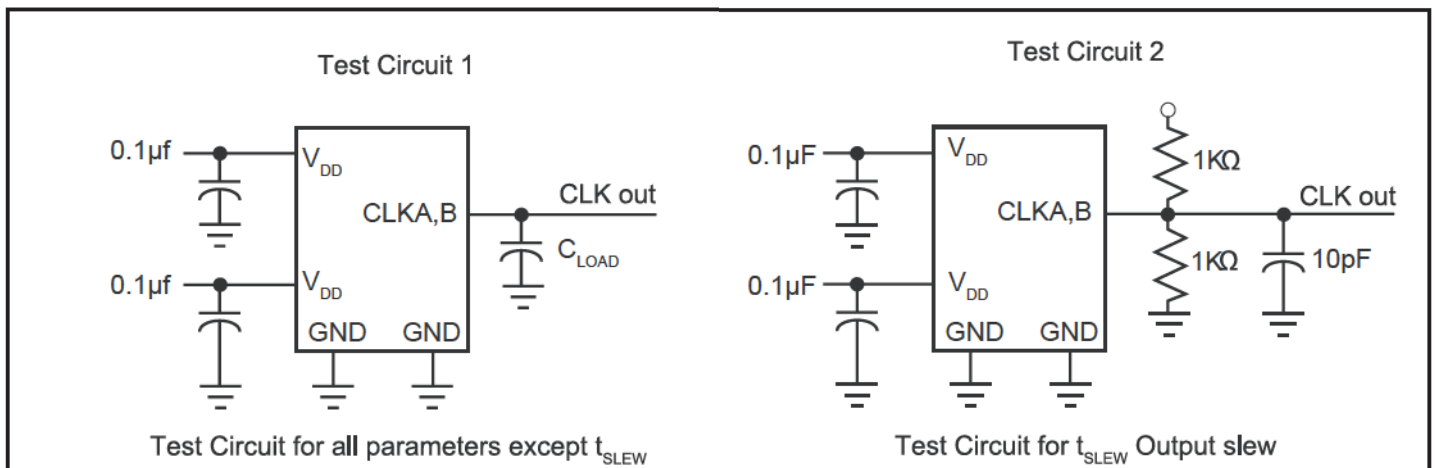
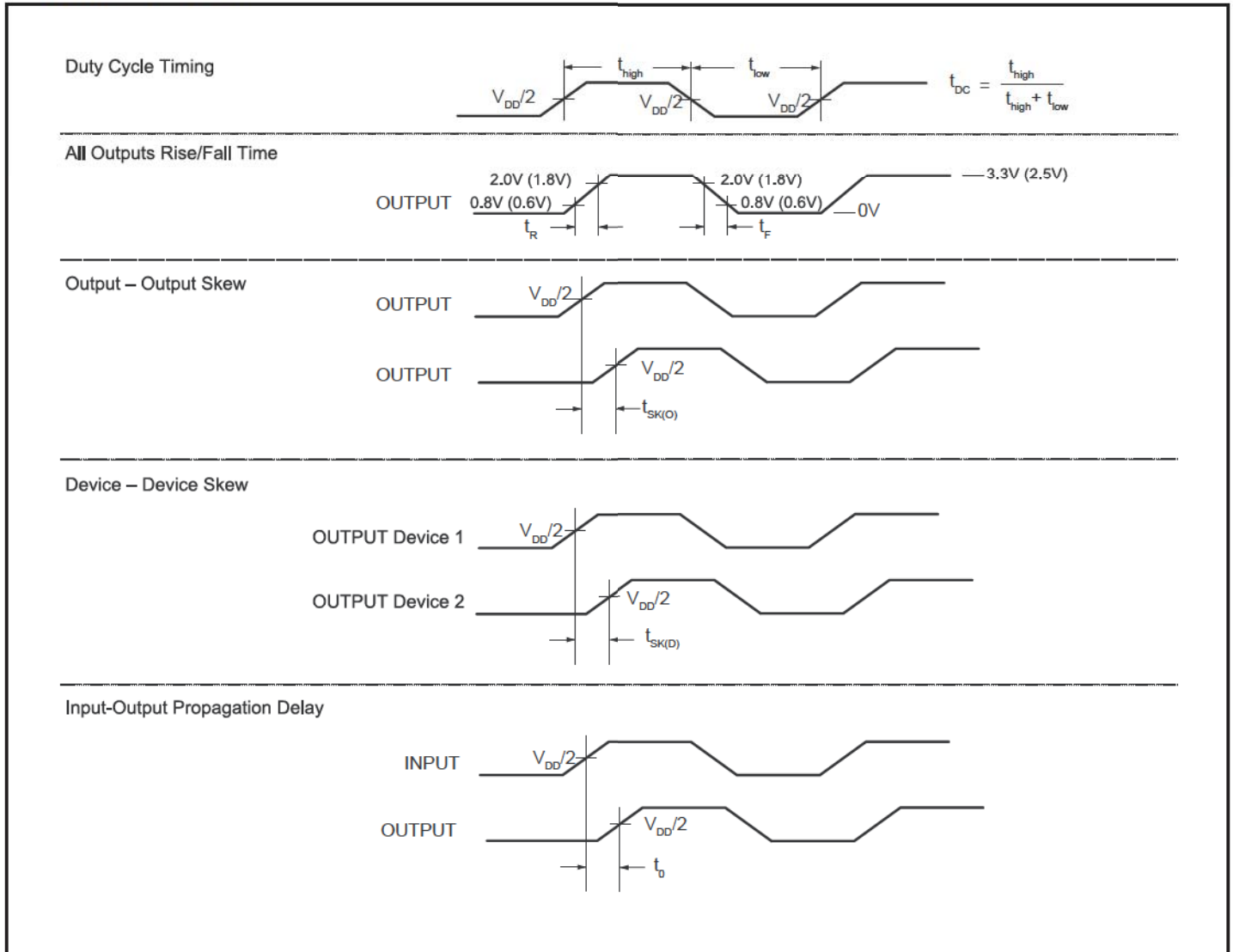
**AC Electrical Characteristics**

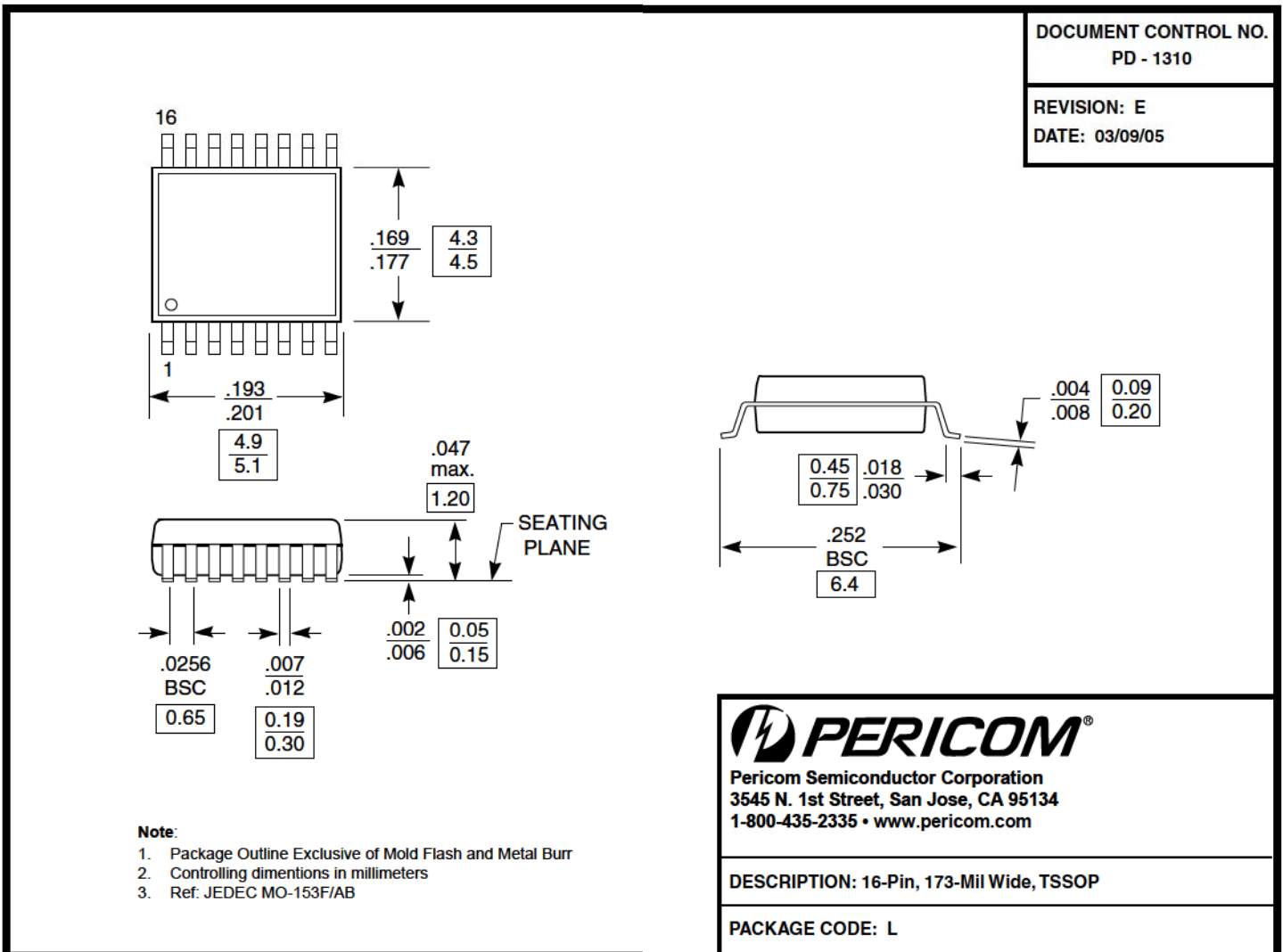
Parameter	Description	Test Conditions	Min.	Typ.	Max.	Units
F <sub>O</sub>	Output Frequency	V <sub>DD</sub> = 2.5V	60		200	MHz
		V <sub>DD</sub> = 3.3V	60		220	MHz
BW	Bandwidth for PLL	V <sub>DD</sub> = 2.5V		0.8		MHz
		V <sub>DD</sub> = 3.3V		1.5		
t <sub>DC</sub>	Duty Cycle <sup>(4)</sup>	Measured at V <sub>DD</sub> /2, 10 pF load	45	50	55	%
t <sub>R</sub>	Rise Time <sup>(1)(4)</sup>	For 3.3V: Measured between 0.8V and 2.0V; @10pF			1	ns
		For 2.5V: Measured between 0.6V and 1.8V; @10pF			1.8	
t <sub>F</sub>	Fall Time <sup>(1)(4)</sup>	For 3.3V: Measured between 0.8V and 2.0V; @10pF			1	ns
		For 2.5V: Measured between 0.6V and 1.8V; @10pF			1.8	
t <sub>sk(o)</sub>	Output to Output skew <sup>(1)</sup>	All Outputs Equally Loaded	V <sub>DD</sub> = 3.3V			100
			V <sub>DD</sub> = 2.5V			100
t <sub>0</sub>	Delay, REF Rising Edge to CLKOUT Rising Edge <sup>(1)(2)(5)</sup>	Measured at V <sub>DD</sub> /2, 66MHz	V <sub>DD</sub> = 3.3V	-100		100
			V <sub>DD</sub> = 2.5V	-200	0	200
t <sub>SK(D)</sub>	Device-to-device skew <sup>(1)</sup> (3)	Measured at V <sub>DD</sub> /2 on CLKx pins of device	-300	0	+300	ps
t <sub>JT</sub>	Cycle-to-Cycle Jitter	15pF load, >66MHz, standard drive	V <sub>DD</sub> = 3.3V		47	110
			V <sub>DD</sub> = 2.5V		42	90
		15pF load, >66MHz, high drive	V <sub>DD</sub> = 3.3V		45	100
			V <sub>DD</sub> = 2.5V		40	80
		30pF load, >66MHz, standard drive	V <sub>DD</sub> = 3.3V		63	120
			V <sub>DD</sub> = 2.5V		83	130
30pF load, >66MHz, high drive	V <sub>DD</sub> = 3.3V		51	115		
	V <sub>DD</sub> = 2.5V		66	115		
t <sub>PJ</sub>	Period Jitter (Peak)	15pF load, >66MHz, standard drive	V <sub>DD</sub> = 3.3V		39	90
			V <sub>DD</sub> = 2.5V		28	60
		15pF load, >66MHz, high drive	V <sub>DD</sub> = 3.3V		39	85
			V <sub>DD</sub> = 2.5V		27	55
		30pF load, >66MHz, standard drive	V <sub>DD</sub> = 3.3V		48	85
			V <sub>DD</sub> = 2.5V		75	90
30pF load, >66MHz, high drive	V <sub>DD</sub> = 3.3V		43	75		
	V <sub>DD</sub> = 2.5V		60	80		
t <sub>LOCK</sub>	PLL Lock time <sup>(1)</sup>	Stable power supply, valid clocks presented on CLKOUT pin			1	ms

**Note:**

- See Switching Waveforms
- All clock output should have the same loading to achieve zero delay between the input and outputs and zero output-to-output skew. Since the CLKOUT pin is the internal feedback to the PLL, its relative loading can adjust to input-to-output delay. If input-to-output delay adjustments are needed, the CLKOUT load may be changed to vary the delay between the REF input to the clock outputs. Output-to-output skew includes CLKA1-4 and CLKB1-4.
- Specifications are guaranteed by design and not production tested.
- Measured at 100MHz.
- Measured with 16-Pin SOIC package

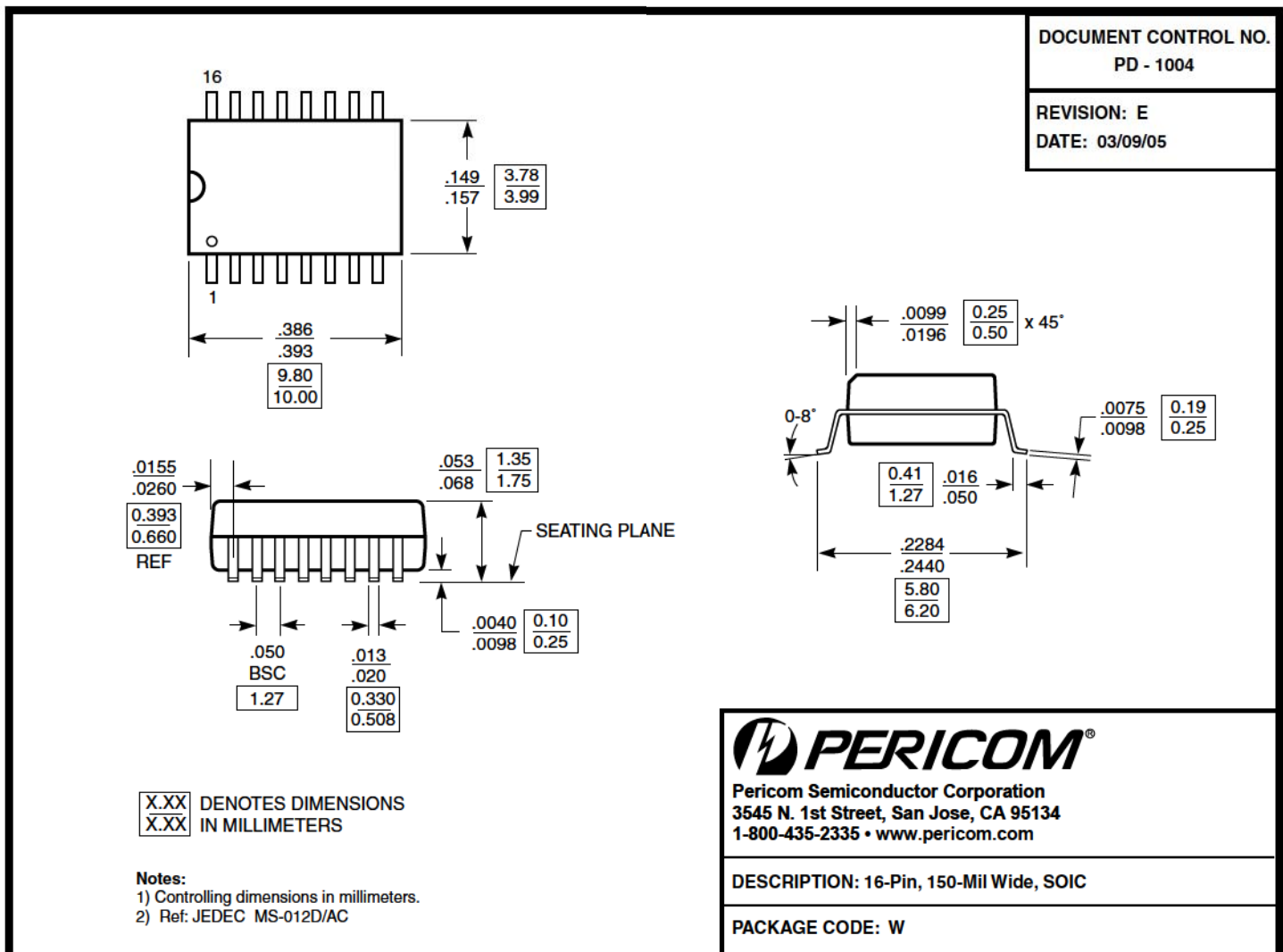
## Switching Waveforms



**Packaging Mechanical: 16-Pin TSSOP (L)**

**Note:**

- For latest package info, please check: <http://www.pericom.com/products/packaging/mechanicals.php>

Packaging Mechanical: 16-Pin SOIC (W)



Note:

- For latest package info, please check: <http://www.pericom.com/products/packaging/mechanicals.php>

Ordering Information(1,2,3)

Ordering Code	Package Code	Package Type
PI6C22409-1HLE	L	Pb-free & Green, 16-pin TSSOP
PI6C22409-1HLIE	L	Pb-free & Green, 16-pin TSSOP, Industrial temp range
PI6C22409-1HWE	W	Pb-free & Green, 16-pin SOIC
PI6C22409-1HWIE	W	Pb-free & Green, 16-pin SOIC, Industrial temp range

Notes:

1. Thermal characteristics can be found on the company web site at [www.pericom.com/packaging/](http://www.pericom.com/packaging/)
2. E = Pb-free and Green
3. Adding an X suffix = Tape/Reel

## Looking for pricing, stock, or lifecycle information?

Click below to explore more details on WIN SOURCE:

 [View PI6C22409-1HWIE on WIN SOURCE](#)

 [Diodes Incorporated](#) Information

## Optimize Your Supply Chain with WIN SOURCE Solutions

-  Global Sourcing Solution
-  Obsolete Management
-  Cost Control Management
-  Shortage Management
-  Alternative Solution
-  Excess Inventory Management