



**THE DATASHEET OF
PQ015YZ01ZZH**



PQ015YZ5MZxH

PQ015YZ01ZxH

Low Voltage Operation
Low Power-Loss Voltage Regulators

■ Features

- 1.Low voltage operation (Minimum operating voltage: 1.7V)
1.8V input → available 1.0 to 1.5V
- 2.Variable output voltage type
- 3.Surface mount package (equivalent to EIAJ SC-63)
- 4.RoHS directive compliant

■ Applications

- 1.Peripheral equipment of personal computers
- 2.Power supplies for various electronic equipment such as DVD player or STB

■ Model Line-up

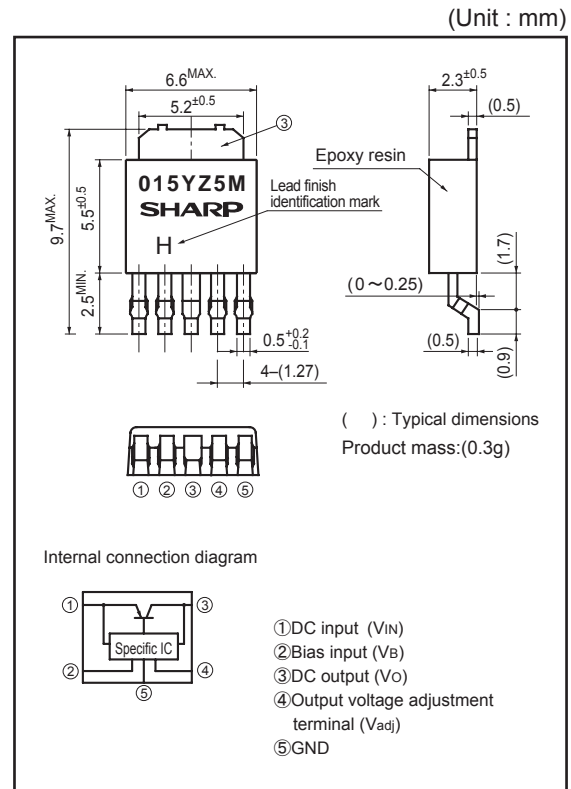
Output current (I _o)	Package type	Model No.
0.5A	Taping	PQ015YZ5MZPH
	Sleeve	PQ015YZ5MZZH
1A	Taping	PQ015YZ01ZPH
	Sleeve	PQ015YZ01ZZH

■ Absolute Maximum Ratings (Ta=25°C)

Parameter	Symbol	Rating	Unit
*1 Input voltage	V _{IN}	3.7	V
Bias supply voltage	V _B	7	V
*1 Output adjustment terminal voltage	V _{ADJ}	5	V
Output current	I _o	0.5	A
		1	
*2 Power dissipation	P _D	8	W
*3 Junction temperature	T _j	150	°C
Operating temperature	T _{opr}	-25 to +85	°C
Storage temperature	T _{stg}	-40 to +150	°C
Soldering temperature	T _{sol}	260(10s)	°C

- *1 All are open except GND and applicable terminals.
*2 P_D: With infinite heat sink
*3 Overheat protection may operate at T_j:125°C to 150°C

■ Outline Dimensions



Lead finish:Lead-free solder plating
(Composition: Sn2Cu)

Notice The content of data sheet is subject to change without prior notice.

In the absence of confirmation by device specification sheets, SHARP takes no responsibility for any defects that may occur in equipment using any SHARP devices shown in catalogs, data books, etc. Contact SHARP in order to obtain the latest device specification sheets before using any SHARP device.

Electrical Characteristics

(Unless otherwise specified, condition shall be $V_{IN}=1.8V, V_B=3.3V, V_O=1.2V(R_1=1k\Omega), I_O=0.3A, T_a=25^\circ C$ (PQ015YZ5MZxH))
 (Unless otherwise specified, condition shall be $V_{IN}=1.8V, V_B=3.3V, V_O=1.2V(R_1=1k\Omega), I_O=0.5A, T_a=25^\circ C$ (PQ015YZ01ZxH))

Parameter	Symbol	Conditions	MIN.	TYP.	MAX.	Unit
Input voltage	V_{IN}	On condition that $1.0V \leq V_O \leq 1.2V$	1.7	—	3.7	V
		On condition that $1.2V < V_O \leq 1.5V$	$V_O+0.5$	—	3.7	V
Bias supply voltage	V_B	—	2.35	—	7	V
Output voltage	V_O	—	1.0	—	1.5	V
Load regulation	RegL	$I_O=5mA$ to 0.5A	—	0.2	1.0	%
		$I_O=5mA$ to 1A	—	0.2	1.0	%
Line regulation	RegI	$V_{IN}=1.7$ to $3.7V, V_B=2.35$ to $7V, I_O=5mA$	—	0.2	1.0	%
Ripple Rejection	RR1	Refer to Fig.2	—	65	—	dB
	RR2	Refer to Fig.3	—	60	—	dB
Reference voltage	V_{REF}	—	0.97	1.0	1.03	V
Temperature coefficient of reference voltage	T_{CVREF}	$T_J=0$ to $125^\circ C, I_O=5mA$	—	± 0.5	—	%
Bias inflow current	I_B	—	—	1.5	3.0	mA

Fig.1 Test Circuit

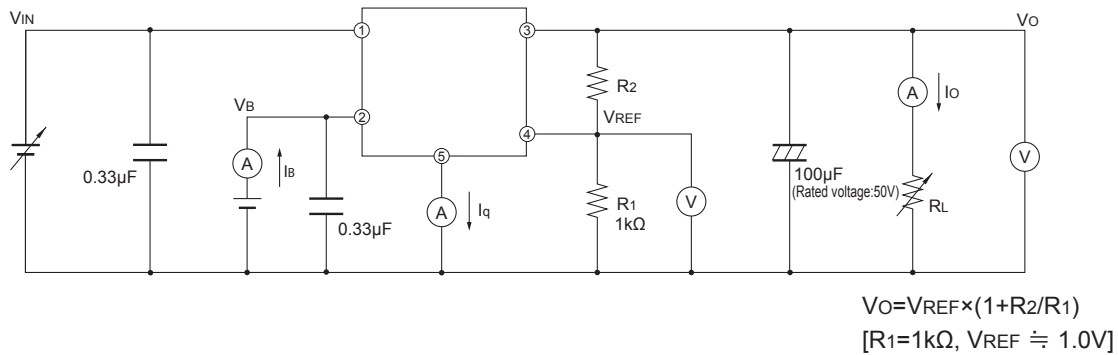


Fig.2 Test Circuit for Ripple Rejection (1)

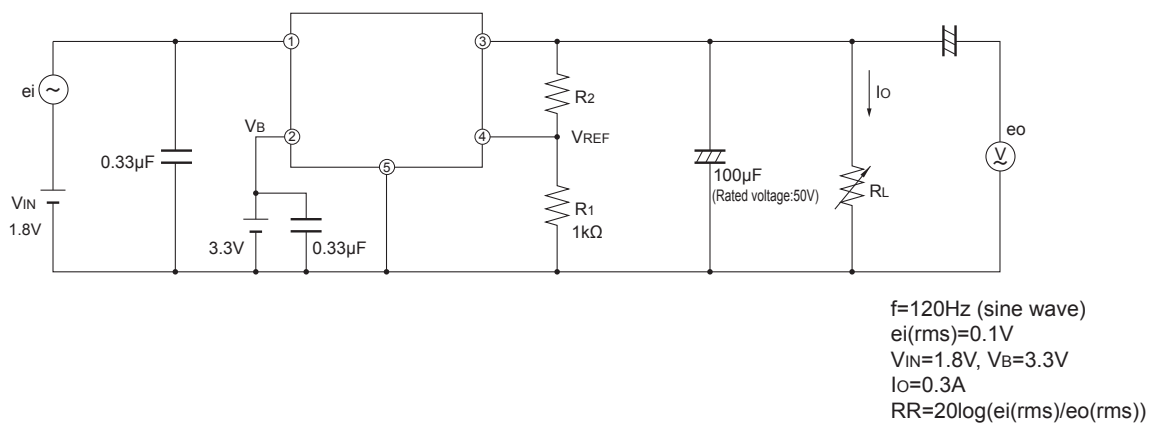


Fig.3 Test Circuit for Ripple Rejection (2)

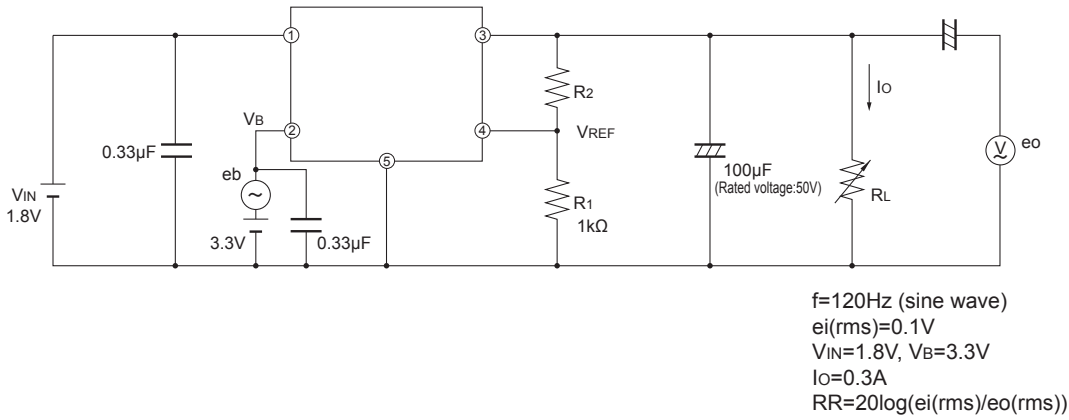
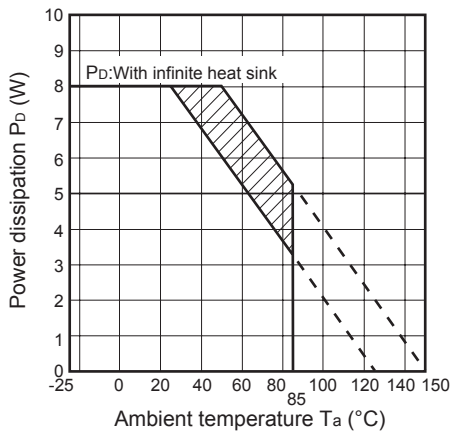


Fig.4 Power Dissipation vs. Ambient Temperature



Note) Oblique line portion: Overheat protection may operate in this area.

Fig.5 Overcurrent Protection Characteristics (PQ015YZ5MZxH)

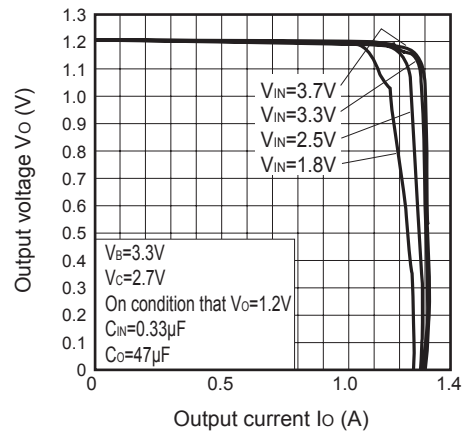


Fig.6 Overcurrent Protection Characteristics (PQ015YZ01ZxH)

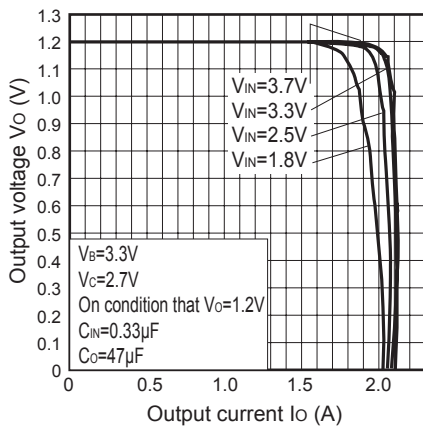


Fig.7 Reference Voltage vs. Ambient Temperature

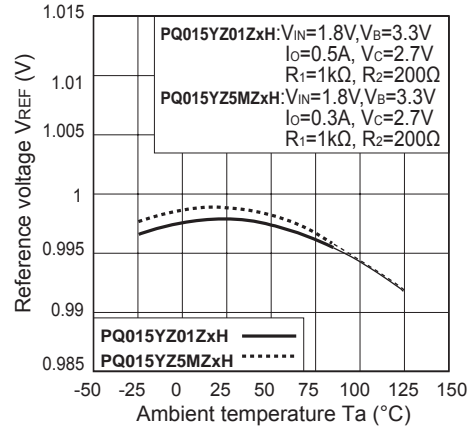


Fig.8 Bias Inflow Current vs. Ambient Temperature

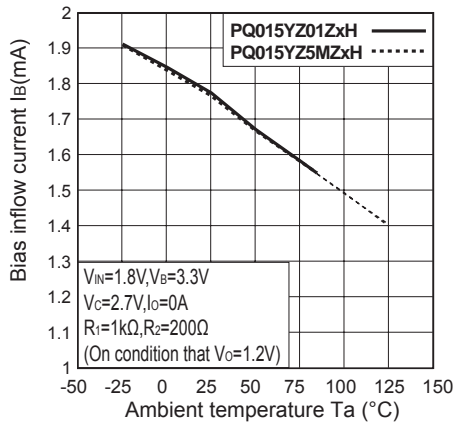


Fig.9 Output Short-circuit Current vs. Ambient Temperature (Reference)

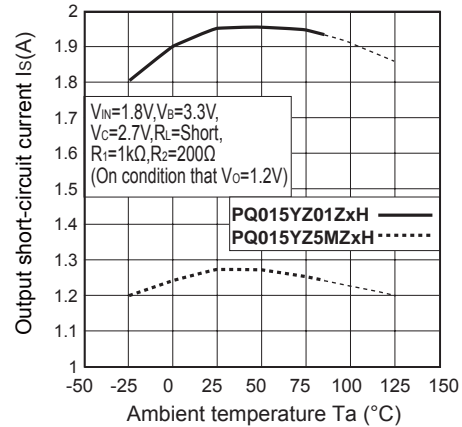


Fig.10 Output Voltage vs. Input Voltage (PQ015YZ5MZxH)

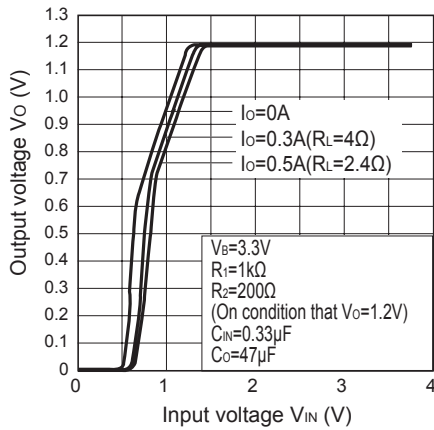


Fig.11 Output Voltage vs. Input Voltage (PQ015YZ01ZxH)

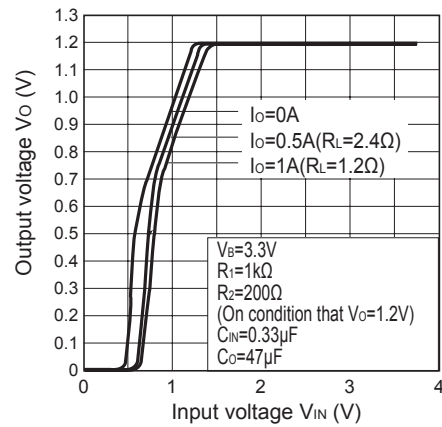


Fig.12 Output Voltage vs. Bias Supply Voltage (PQ015YZ5MZxH)

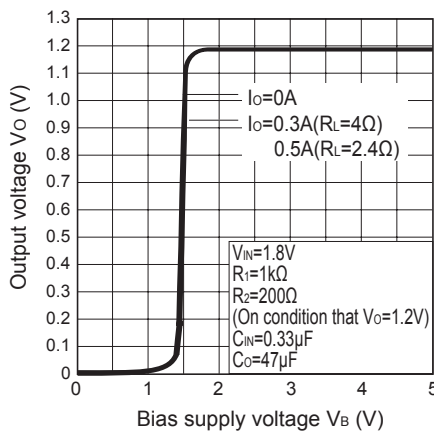


Fig.13 Output Voltage vs. Bias Supply Voltage (PQ015YZ01ZxH)

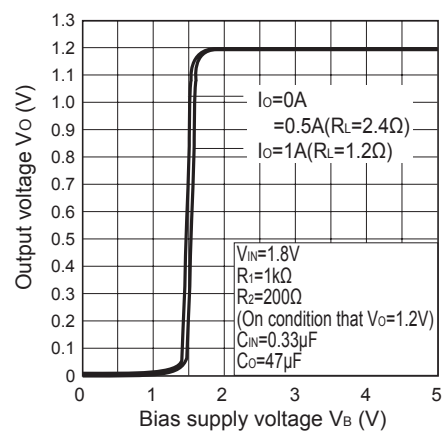


Fig.14 Circuit Operating Current vs. Input Voltage / Bias Supply Voltage (PQ015YZ5MZxH)

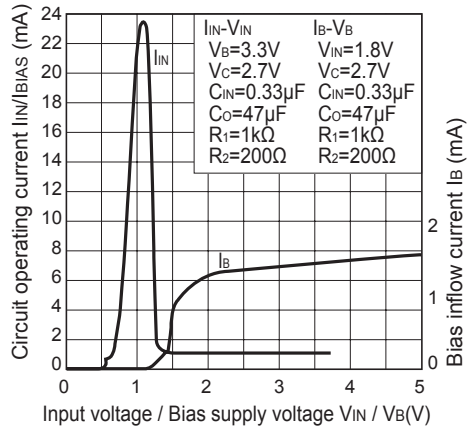


Fig.15 Circuit Operating Current vs. Input Voltage / Bias Supply Voltage (PQ015YZ5MZxH)

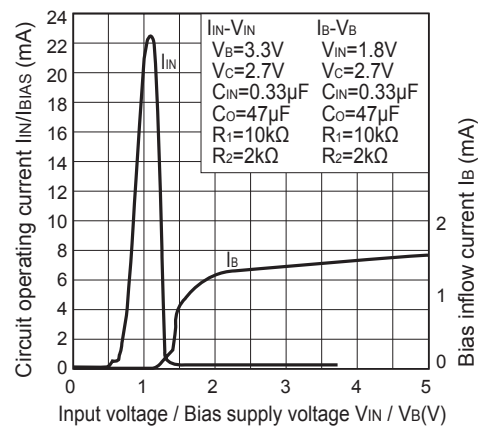


Fig.16 Circuit Operating Current vs. Input Voltage / Bias Supply Voltage (PQ015YZ01ZxH)

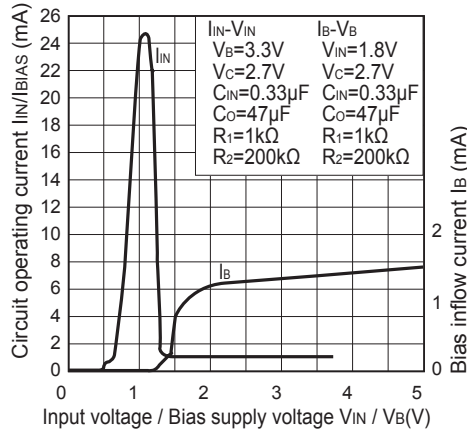


Fig.17 Output Voltage Deviation vs. Input Voltage / Bias Supply Voltage (PQ015YZ5MZxH)

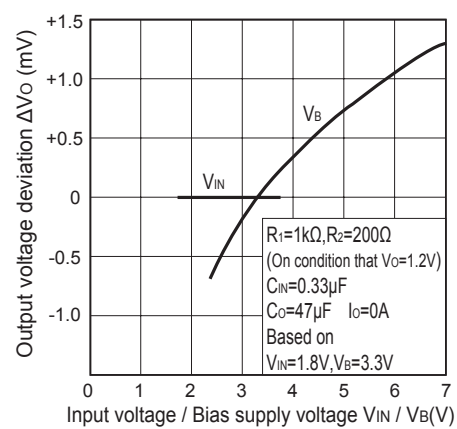


Fig.18 Output Voltage Deviation vs. Input Voltage / Bias Supply Voltage (PQ015YZ01ZxH)

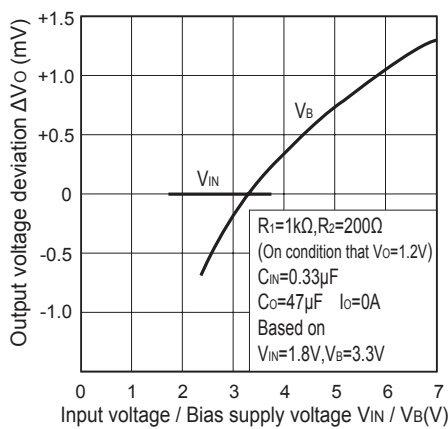


Fig.19 Output Voltage Deviation vs. Output Current

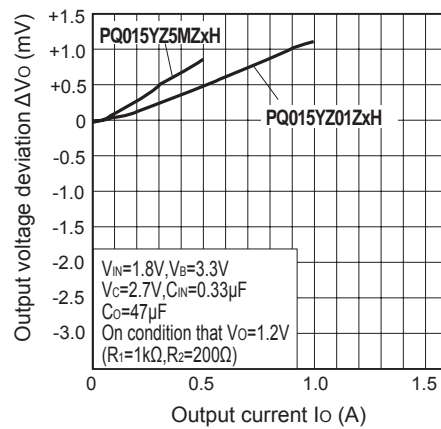


Fig.20 Ripple Rejection vs. Input Ripple Frequency

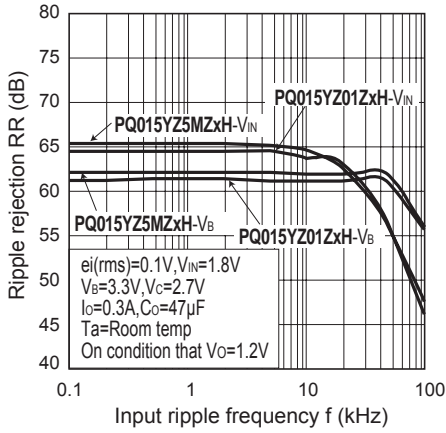


Fig.21 Ripple Rejection vs. Output Current

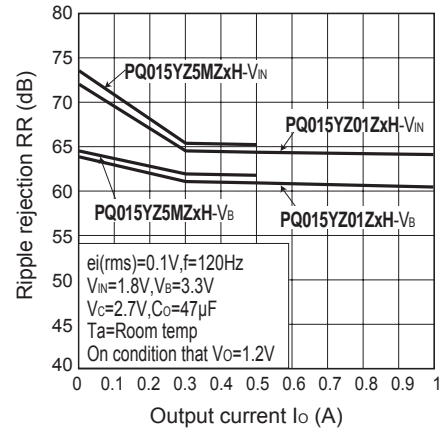


Fig.22 Typical Application

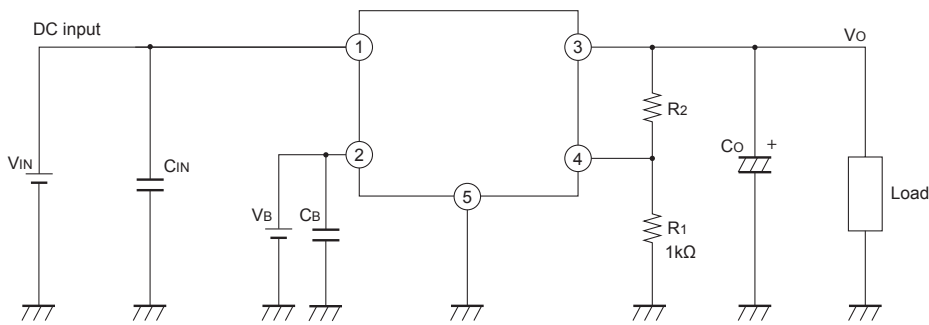
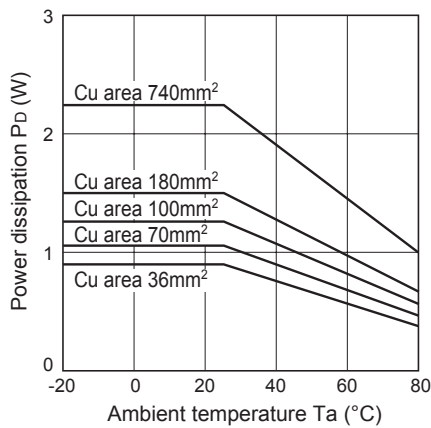
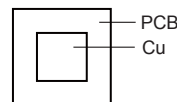


Fig.23 Power Dissipation vs. Ambient Temperature (Typical Value)

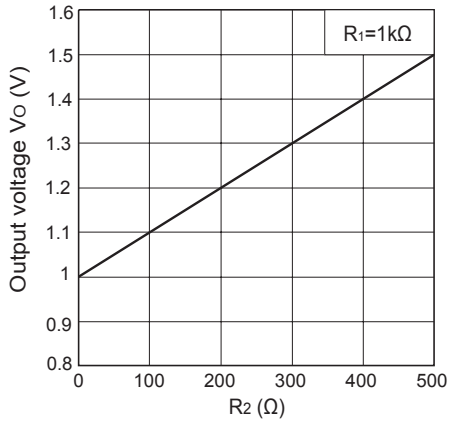


Mounting PCB



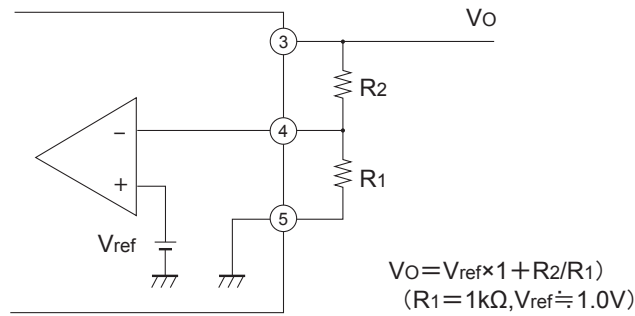
Material : Glass-cloth epoxy resin
 Size : 50×50×1.6mm
 Cu thickness : 35µm

Fig.24 Output Voltage Adjustment Characteristics (Typical Value)



■ Setting of Output Voltage

Output voltage is able to set from 1.0V to 1.5V when resistors R1 and R2 are attached to ③,④,⑤ terminals. As for the external resistors to set output voltage, refer to the figure below and Fig.24.



Looking for pricing, stock, or lifecycle information?

Click below to explore more details on WIN SOURCE:

-  [View PQ015YZ01ZZH on WIN SOURCE](#)
-  [Sharp Microelectronics](#) Information

Optimize Your Supply Chain with WIN SOURCE Solutions

-  Global Sourcing Solution
-  Obsolete Management
-  Cost Control Management
-  Shortage Management
-  Alternative Solution
-  Excess Inventory Management