



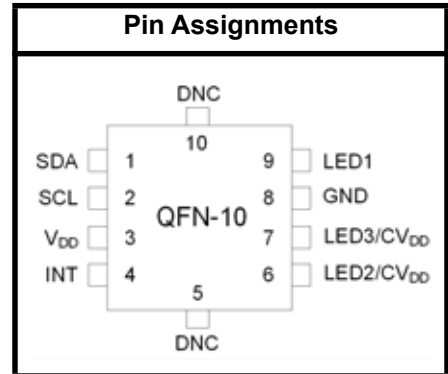
**THE DATASHEET OF
SI1147-A10-GMR**



PROXIMITY/UV/AMBIENT LIGHT SENSOR IC WITH I²C INTERFACE

Features

- Integrated infrared proximity detector
 - Proximity detection adjustable from under 1 cm to over 50 cm
 - Three independent LED drivers
 - 15 current settings from 5.6 mA to 360 mA for each LED driver
 - 25.6 μ s LED driver pulse width
 - 50 cm proximity range with single pulse (<3 klx)
 - 15 cm proximity range with single pulse (>3 klx)
 - Operates at up to 128 klx (direct sunlight)
 - High reflectance sensitivity < 1 μ W/cm²
 - High EMI immunity without shielded packaging
- Integrated UV index sensor
 - Industry's lowest power consumption
 - 1.71 to 3.6 V supply voltage
 - 9 μ A average current (LED pulsed 25.6 μ s every 800 ms at 180 mA plus 3 μ A Si114x supply)
 - < 500 nA standby current
 - Internal and external wake support
 - Built-in voltage supply monitor and power-on reset controller
 - 25.6 μ s LED "on" time keeps total power consumption duty cycle low without compromising performance or noise immunity
- I²C Serial communications
 - Up to 3.4 Mbps data rate
 - Slave mode hardware address decoding
- Small-outline 10-lead 2x2 mm QFN
 - Temperature Range
 - -40 to +85 °C
- Integrated ambient light sensor
 - 100 mlx resolution possible, allowing operation under dark glass
 - 1 to 128 klx dynamic range possible across two ADC range settings
 - Accurate lux measurements with IR correction algorithm



Applications

- Handsets
- E-book readers
- Notebooks/Netbooks
- Portable consumer electronics
- Audio products
- Security panels
- Tamper detection circuits
- Dispensers
- Valve controls
- Smoke detectors
- Touchless switches
- Touchless sliders
- Occupancy sensors
- Consumer electronics
- Industrial automation
- Display backlighting control
- Photo-interrupters

Description

The Si1145/46/47 is a low-power, reflectance-based, infrared proximity, ultraviolet (UV) index, and ambient light sensor with I²C digital interface and programmable-event interrupt output. This touchless sensor IC includes an analog-to-digital converter, integrated high-sensitivity visible and infrared photodiodes, digital signal processor, and one, two, or three integrated infrared LED drivers with fifteen selectable drive levels. The Si1145/46/47 offers excellent performance under a wide dynamic range and a variety of light sources including direct sunlight. The Si1145/46/47 can also work under dark glass covers. The photodiode response and associated digital conversion circuitry provide excellent immunity to artificial light flicker noise and natural light flutter noise. With two or more LEDs, the Si1146/47 is capable of supporting multiple-axis proximity motion detection. The Si1145/46/47 devices are provided in a 10-lead 2x2 mm QFN package and are capable of operation from 1.71 to 3.6 V over the -40 to +85 °C temperature range.

Si1145/46/47

Functional Block Diagram

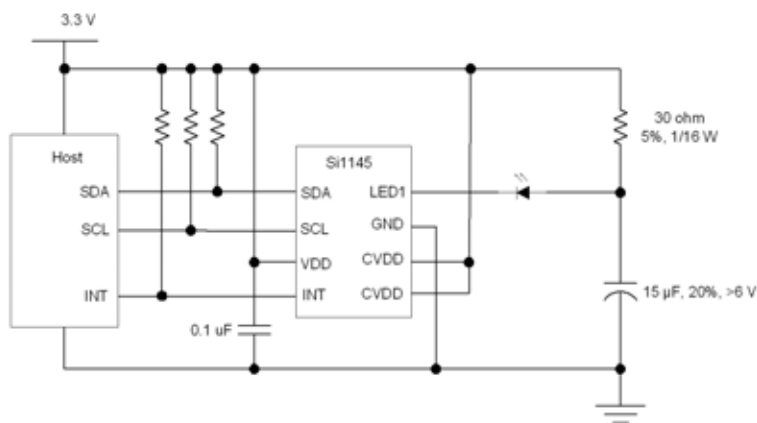
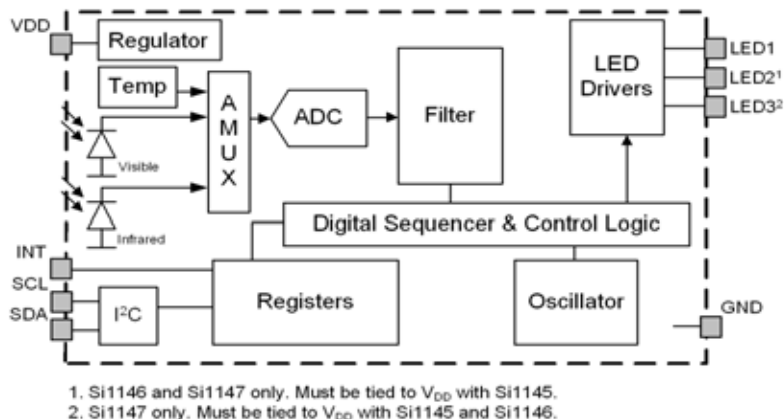


Figure 1. Si1145 Basic Application

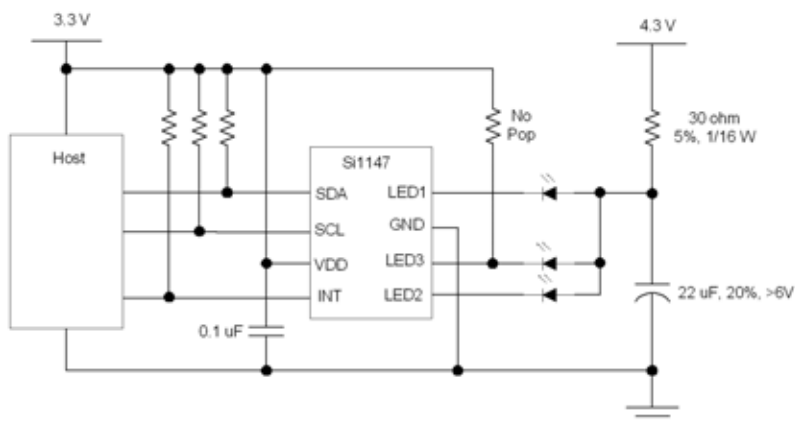


Figure 2. Si1147 Application with Three LEDs and Separate LED Power Supply

Note: For more application examples, refer to “AN498: irLED Selection Guide for Si114x Proximity Applications”.

TABLE OF CONTENTS

| | |
|---------------------------------------|-----------|
| 1. Electrical Specifications | 4 |
| 1.1. Performance Tables | 4 |
| 1.2. Typical Performance Graphs | 10 |
| 2. Functional Description | 12 |
| 2.1. Introduction | 12 |
| 2.2. Proximity Sensing (PS) | 12 |
| 2.3. Ambient Light | 13 |
| 2.4. Ultraviolet (UV) Index | 15 |
| 2.5. Host Interface | 17 |
| 3. Operational Modes | 19 |
| 3.1. Off Mode | 19 |
| 3.2. Initialization Mode | 19 |
| 3.3. Standby Mode | 19 |
| 3.4. Forced Conversion Mode | 19 |
| 3.5. Autonomous Operation Mode | 20 |
| 4. Programming Guide | 21 |
| 4.1. Command and Response Structure | 21 |
| 4.2. Command Protocol | 22 |
| 4.3. Resource Summary | 24 |
| 4.4. Signal Path Software Model | 28 |
| 4.5. I ² C Registers | 29 |
| 4.6. Parameter RAM | 45 |
| 5. Pin Descriptions | 60 |
| 6. Ordering Guide | 61 |
| 7. Package Outline: 10-Pin QFN | 62 |
| 8. Suggested PCB Land Pattern | 64 |
| Document Change List | 66 |
| Contact Information | 67 |

1. Electrical Specifications

1.1. Performance Tables

Table 1. Recommended Operating Conditions

| Parameter | Symbol | Test Condition | Min | Typ | Max | Unit |
|---------------------------------------|---------------------------------|--|-----------------------|--------|----------------------|--------------|
| V _{DD} Supply Voltage | V _{DD} | | 1.71 | — | 3.6 | V |
| V _{DD} OFF Supply Voltage | V _{DD_OFF} | OFF mode | -0.3 | | 1.0 | V |
| V _{DD} Supply Ripple Voltage | | V _{DD} = 3.3 V 1 kHz–10 MHz | — | — | 50 | mVpp |
| Operating Temperature | T | | -40 | 25 | 85 | °C |
| SCL, SDA, Input High Logic Voltage | I ² C _{VIH} | | V _{DD} ×0.7 | — | V _{DD} | V |
| SCL, SDA Input Low Logic Voltage | I ² C _{VIL} | | 0 | — | V _{DD} ×0.3 | V |
| PS Operation under Direct Sunlight | E _{dc} | | — | — | 128 | klx |
| IrLED Emission Wavelength | λ | | 750 | 850 | 950 | nm |
| IrLED Supply Voltage | V _{LED} | IrLED V _F = 1.0 V nominal | V _{DD} | — | 4.3 | V |
| IrLED Supply Ripple Voltage | | Applies if IrLEDs use separate supply rail 0–30 kHz 30 kHz–100 MHz | — — | — — | 250 100 | mVpp mVpp |
| Start-Up Time | | V _{DD} above 1.71 V | 25 | — | — | ms |
| LED3 Voltage | | Start-up | V _{DD} ×0.77 | — | — | V |

Table 2. Performance Characteristics¹

| Parameter | Symbol | Test Condition | Min | Typ | Max | Unit |
|---|---------------------|--|---|---|--|------|
| I _{DD} OFF Mode | I _{off} | V _{DD} < V _{DD_OFF} (leakage from SCL, SDA, and INT not included) | — | 240 | 1000 | nA |
| I _{DD} Standby Mode | I _{sb} | No ALS / PS Conversions No I ² C Activity V _{DD} = 1.8 V | — | 150 | 500 | nA |
| I _{DD} Standby Mode | I _{sb} | No ALS / PS Conversions No I ² C Activity V _{DD} = 3.3 V | — | 1.4 | — | μA |
| I _{DD} Actively Measuring | I _{active} | Without LED influence, V _{DD} = 3.3 V | — | 4.3 | 5.5 | mA |
| Peak I _{DD} while LED1, LED2, or LED3 is Actively Driven | | V _{DD} = 3.3 V | — | 8 | — | mA |
| LED Driver Saturation Voltage ^{2,3} | | V _{DD} =1.71 to 3.6 V PS_LEDn=0001 PS_LEDn=0010 PS_LEDn=0011 PS_LEDn=0100 PS_LEDn=0101 PS_LEDn=0110 PS_LEDn=0111 PS_LEDn=1000 PS_LEDn=1010 PS_LEDn=1010 PS_LEDn=1011 PS_LEDn=1100 PS_LEDn=1101 PS_LEDn=1110 PS_LEDn=1111 | — — — — — — — — — — — — — — — — — | 50 60 70 80 115 150 185 220 255 290 315 340 360 385 410 | 70 105 105 105 450 450 450 450 450 450 600 600 600 600 600 | mV |
| LED1, LED2, LED3 Pulse Width | t _{PS} | | — | 25.6 | 30 | μs |
| LED1, LED2, LED3, INT, SCL, SDA Leakage Current | | V _{DD} = 3.3 V | -1 | — | 1 | μA |

Notes:

1. Unless specifically stated in "Conditions", electrical data assumes ambient light levels < 1 klx.
2. Proximity-detection performance may be degraded, especially when there is high optical crosstalk, if the LED supply and voltage drop allow the driver to saturate and current regulation is lost.
3. Guaranteed by design and characterization.
4. Represents the time during which the device is drawing a current equal to I_{active} for power estimation purposes. Assumes default settings.

Table 2. Performance Characteristics¹ (Continued)

| Parameter | Symbol | Test Condition | Min | Typ | Max | Unit |
|--------------------------------------|------------|---|-----|-------|-----|---------------------------|
| LED1, LED2, LED3 Active Current | I_{LEDx} | $V_{DD} = 3.3$ V, single drive | | | | mA |
| | | $V_{LEDn} = 1$ V, PS_LEDn = 0001 | 3.5 | 5.6 | 7 | |
| | | $V_{LEDn} = 1$ V, PS_LEDn = 0010 | — | 11.2 | — | |
| | | $V_{LEDn} = 1$ V, PS_LEDn = 0011 | 13 | 22.4 | 29 | |
| | | $V_{LEDn} = 1$ V, PS_LEDn = 0100 | — | 45 | — | |
| | | $V_{LEDn} = 1$ V, PS_LEDn = 0101 | — | 67 | — | |
| | | $V_{LEDn} = 1$ V, PS_LEDn = 0110 | — | 90 | — | |
| | | $V_{LEDn} = 1$ V, PS_LEDn = 0111 | — | 112 | — | |
| | | $V_{LEDn} = 1$ V, PS_LEDn = 1000 | — | 135 | — | |
| | | $V_{LEDn} = 1$ V, PS_LEDn = 1001 | — | 157 | — | |
| | | $V_{LEDn} = 1$ V, PS_LEDn = 1010 | — | 180 | — | |
| | | $V_{LEDn} = 1$ V, PS_LEDn = 1011 | — | 202 | — | |
| | | $V_{LEDn} = 1$ V, PS_LEDn = 1100 | — | 224 | — | |
| | | $V_{LEDn} = 1$ V, PS_LEDn = 1101 | — | 269 | — | |
| | | $V_{LEDn} = 1$ V, PS_LEDn = 1110 | — | 314 | — | |
| $V_{LEDn} = 1$ V, PS_LEDn = 1111 | — | 359 | — | | | |
| Actively Measuring Time ⁴ | | Single PS | — | 155 | — | μ s |
| | | UV or ALS VIS + ALS IR | — | 285 | — | μ s |
| | | Two ALS plus three PS | — | 660 | — | μ s |
| Visible Photodiode Response | | Sunlight ALS_VIS_ADC_GAIN=0 VIS_RANGE=0 | — | 0.282 | — | ADC counts/ lux |
| | | 2500K incandescent bulb ALS_VIS_ADC_GAIN=0 VIS_RANGE=0 | — | 0.319 | — | ADC counts/ lux |
| | | “Cool white” fluorescent ALS_VIS_ADC_GAIN=0 VIS_RANGE=0 | — | 0.146 | — | ADC counts/ lux |
| | | Infrared LED (875 nm) ALS_VIS_ADC_GAIN=0 VIS_RANGE=0 | — | 8.277 | — | ADC counts. m^2/W |

Notes:

1. Unless specifically stated in "Conditions", electrical data assumes ambient light levels < 1 klx.
2. Proximity-detection performance may be degraded, especially when there is high optical crosstalk, if the LED supply and voltage drop allow the driver to saturate and current regulation is lost.
3. Guaranteed by design and characterization.
4. Represents the time during which the device is drawing a current equal to I_{active} for power estimation purposes. Assumes default settings.

Table 2. Performance Characteristics¹ (Continued)

| Parameter | Symbol | Test Condition | Min | Typ | Max | Unit |
|------------------------------------|--------|--|-----|--------|-----|----------------------------------|
| Small Infrared Photodiode Response | | Sunlight ALS_IR_ADC_GAIN=0 IR_RANGE=0 | — | 2.44 | — | ADC counts/lux |
| | | 2500K incandescent bulb ALS_IR_ADC_GAIN=0 IR_RANGE=0 | — | 8.46 | — | ADC counts/lux |
| | | “Cool white” fluorescent ALS_IR_ADC_GAIN=0 IR_RANGE=0 | — | 0.71 | — | ADC counts/lux |
| | | Infrared LED (875 nm) ALS_IR_ADC_GAIN=0 IR_RANGE=0 | — | 452.38 | — | ADC counts. m ² /W |
| Large Infrared Photodiode Response | | Sunlight PS_ADC_GAIN=0 PS_RANGE=0 PS_ADC_MODE=0 | — | 14.07 | — | ADC counts/lux |
| | | 2500K incandescent bulb PS_ADC_GAIN=0 PS_RANGE=0 PS_ADC_MODE=0 | — | 50.47 | — | ADC counts/lux |
| | | “Cool white” fluorescent PS_ADC_GAIN=0 PS_RANGE=0 PS_ADC_MODE=0 | — | 3.97 | — | ADC counts/lux |
| | | Infrared LED (875 nm) PS_ADC_GAIN=0 PS_RANGE=0 PS_ADC_MODE=0 | — | 2734 | — | ADC counts. m ² /W |
| Visible Photodiode Noise | | All gain settings | — | 7 | — | ADC counts RMS |
| Small Infrared Photodiode Noise | | All gain settings | — | 1 | — | ADC counts RMS |

Notes:

1. Unless specifically stated in "Conditions", electrical data assumes ambient light levels < 1 klx.
2. Proximity-detection performance may be degraded, especially when there is high optical crosstalk, if the LED supply and voltage drop allow the driver to saturate and current regulation is lost.
3. Guaranteed by design and characterization.
4. Represents the time during which the device is drawing a current equal to I_{active} for power estimation purposes. Assumes default settings.

Table 2. Performance Characteristics¹ (Continued)

| Parameter | Symbol | Test Condition | Min | Typ | Max | Unit |
|--|-----------------|---|--------|--|------------------------------|-------------------|
| Large Infrared Photodiode Noise | | All gain settings | — | 10 | — | ADC counts RMS |
| Visible Photodiode Offset Drift | | VIS_RANGE=0 ALS_VIS_ADC_GAIN=0 ALS_VIS_ADC_GAIN=1 ALS_VIS_ADC_GAIN=2 ALS_VIS_ADC_GAIN=3 ALS_VIS_ADC_GAIN=4 ALS_VIS_ADC_GAIN=5 ALS_VIS_ADC_GAIN=6 ALS_VIS_ADC_GAIN=7 | — | -0.3 -0.11 -0.06 -0.03 -0.01 -0.008 -0.007 -0.008 | — | ADC counts/ °C |
| Small Infrared Photodiode Offset Drift | | IR_RANGE=0 IR_GAIN=0 IR_GAIN=1 IR_GAIN=2 IR_GAIN=3 | — | -0.3 -0.06 -0.03 -0.01 | — | ADC counts/ °C |
| SCL, SDA, INT Output Low Voltage | V _{OL} | I = 4 mA, V _{DD} > 2.0 V I = 4 mA, V _{DD} < 2.0 V | — — | — — | V _{DD} × 0.2 0.4 | V V |
| Temperature Sensor Offset | | 25 °C | — | 11136 | — | ADC counts |
| Temperature Sensor Gain | | | — | 35 | — | ADC counts/ °C |
| Notes: | | | | | | |
| <ol style="list-style-type: none"> 1. Unless specifically stated in "Conditions", electrical data assumes ambient light levels < 1 klx. 2. Proximity-detection performance may be degraded, especially when there is high optical crosstalk, if the LED supply and voltage drop allow the driver to saturate and current regulation is lost. 3. Guaranteed by design and characterization. 4. Represents the time during which the device is drawing a current equal to I_{active} for power estimation purposes. Assumes default settings. | | | | | | |

Table 3. I²C Timing Specifications

| Parameter | Symbol | Min | Typ | Max | Unit |
|----------------------------|---------------------|-----|-----|------|------|
| Clock Frequency | f _{SCL} | 95 | — | 3400 | kHz |
| Clock Pulse Width Low | t _{LOW} | 160 | — | — | ns |
| Clock Pulse Width High | t _{HIGH} | 60 | — | — | ns |
| Rise Time | t _R | 10 | — | 40 | ns |
| Fall Time | t _F | 10 | — | 40 | ns |
| Start Condition Hold Time | t _{HD.STA} | 160 | — | — | ns |
| Start Condition Setup Time | t _{SU.STA} | 160 | — | — | ns |
| Input Data Setup Time | t _{SU.DAT} | 10 | — | — | ns |
| Input Data Hold Time | t _{HD.DAT} | 0 | — | — | ns |
| Stop Condition Setup Time | t _{SU.STO} | 160 | — | — | ns |

Table 4. Absolute Maximum Limits

| Parameter | Test Condition | Min | Typ | Max | Unit |
|---|--|------|-----|-----|------|
| V _{DD} Supply Voltage | | -0.3 | — | 4 | V |
| Operating Temperature | | -40 | — | 85 | °C |
| Storage Temperature | | -65 | — | 85 | °C |
| LED1, LED2, LED3 Voltage | at V _{DD} = 0 V, T _A < 85 °C | -0.5 | — | 3.6 | V |
| INT, SCL, SDA Voltage | at V _{DD} = 0 V, T _A < 85 °C | -0.5 | — | 3.6 | V |
| Maximum total current through LED1, LED2 and LED3 | | — | — | 500 | mA |
| Maximum total current through GND | | — | — | 600 | mA |
| ESD Rating | Human Body Model | — | — | 2 | kV |
| | Machine Model | — | — | 225 | V |
| | Charged-Device Model | — | — | 2 | kV |

1.2. Typical Performance Graphs

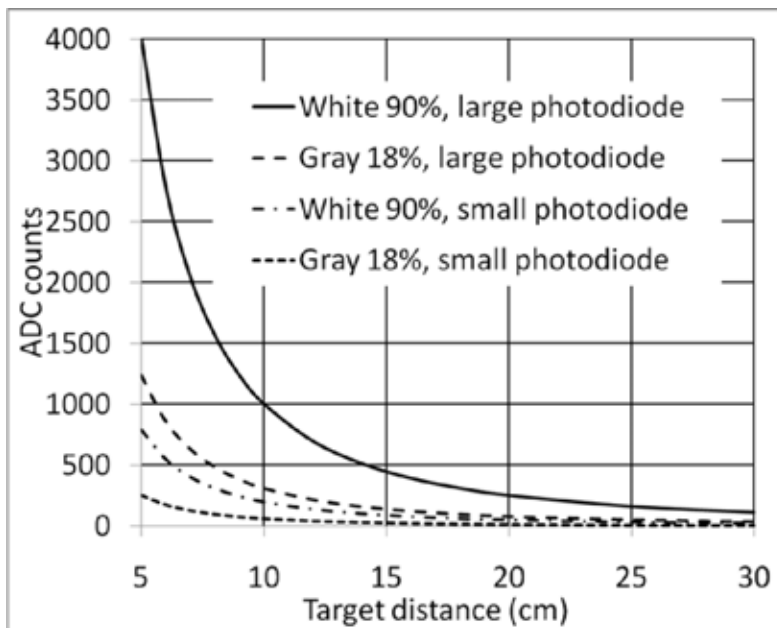


Figure 3. Proximity response using Kodak gray cards, PS_RANGE=0, PS_ADC_GAIN=0 (single 25.6 μ s LED pulse), $\pm 22^\circ$ LED view angle, 850 nm, 22.5 mW/sr, no overlay, 5 mm LED center to Si114x center

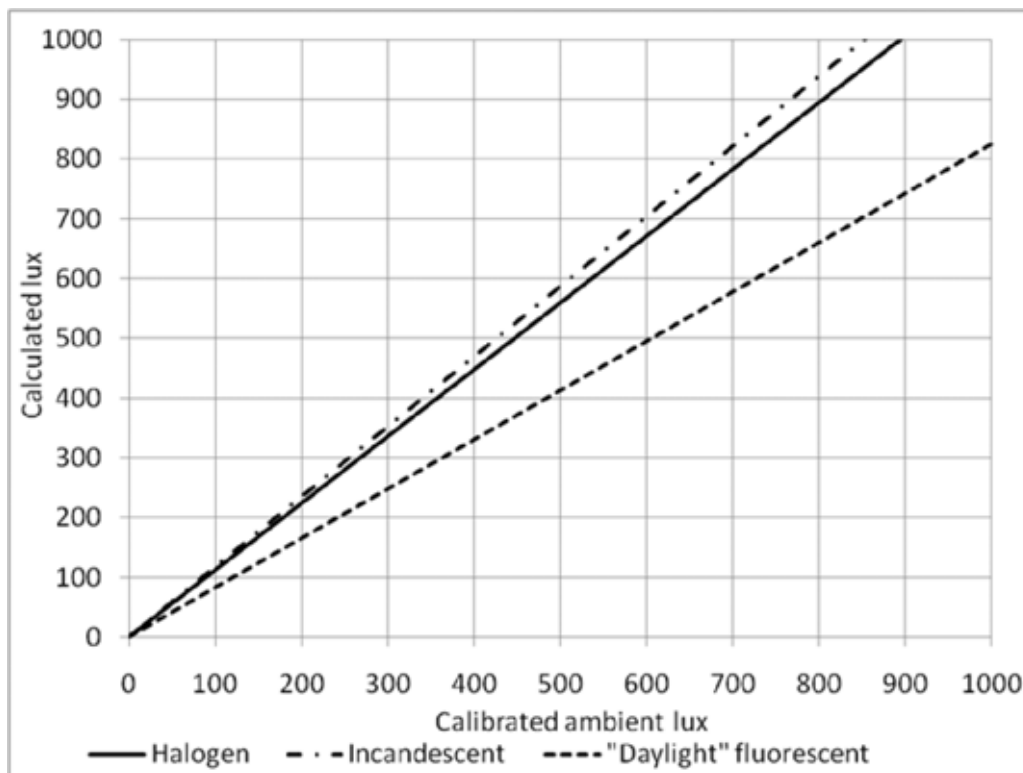


Figure 4. ALS variability with different light sources

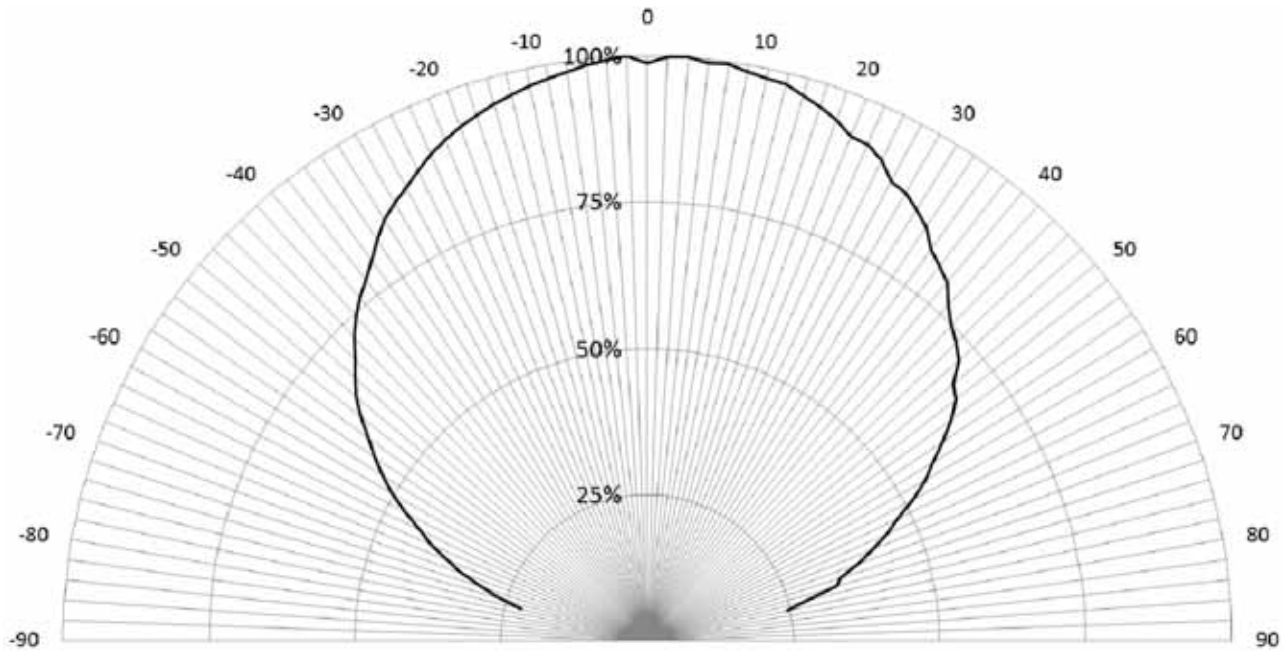


Figure 5. View angle, large photodiode rotated around the pin-5/pin-10 (“vertical”) axis

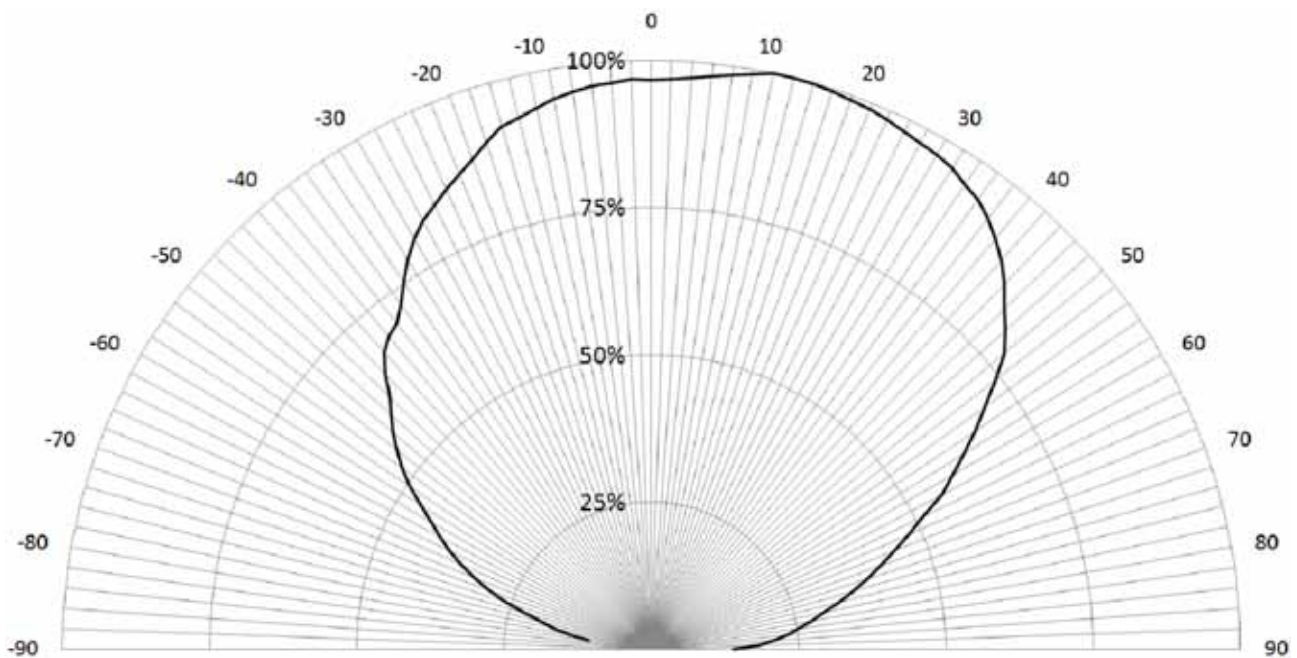


Figure 6. View angle, large photodiode rotated around “horizontal”axis and small photodiode rotated around either axis

2. Functional Description

2.1. Introduction

The Si1145/46/47 is an active optical reflectance proximity detector, UV index, and ambient light sensor whose operational state is controlled through registers accessible through the I²C interface. The host can command the Si1145/46/47 to initiate on-demand proximity detection or ambient light sensing. The host can also place the Si1145/46/47 in an autonomous operational state where it performs measurements at set intervals and interrupts the host after each measurement is completed. This results in an overall system power saving allowing the host controller to operate longer in its sleep state instead of polling the Si1145/46/47. For more details, refer to “AN498: Designer’s Guide for the Si114x”.

2.2. Proximity Sensing (PS)

The Si1145/46/47 has been optimized for use as either a dual-port or single-port active reflection proximity detector. Over distances of less than 50 cm, the dual-port active reflection proximity detector has significant advantages over single-port, motion-based infrared systems, which are only good for triggered events. Motion-based infrared detectors identify objects within proximity, but only if they are moving. Single-port motion-based infrared systems are ambiguous about stationary objects even if they are within the proximity field. The Si1145/46/47 can reliably detect an object entering or exiting a specified proximity field, even if the object is not moving or is moving very slowly. However, beyond about 30–50 cm, even with good optical isolation, single-port signal processing may be required due to static reflections from nearby objects, such as table tops, walls, etc. If motion detection is acceptable, the Si1145/46/47 can achieve ranges of up to 50 cm, through a single product window.

For small objects, the drop in reflectance is as much as the fourth power of the distance. This means that there is less range ambiguity than with passive motion-based devices. For example, a sixteenfold change in an object’s reflectance means only a fifty-percent drop in detection range.

The Si1147 can drive three separate infrared LEDs. When the three infrared LEDs are placed in an L-shaped configuration, it is possible to triangulate an object within the three-dimensional proximity field. Thus, a touchless user interface can be implemented with the aid of host software.

The Si1145/46/47 can initiate proximity sense measurements when explicitly commanded by the host or periodically through an autonomous process. Refer to “3. Operational Modes” on page 19 for additional details of the Si1145/46/47’s Operational Modes.

Whenever it is time to make a PS measurement, the Si1145/46/47 makes up to three measurements, depending on what is enabled in the CHLIST parameter. Other ADC parameters for these measurements can also be modified to allow proper operation under different ambient light conditions.

The LED choice is programmable for each of these three measurements. By default, each measurement turns on a single LED driver. However, the order of measurements can be easily reversed or even have all LEDs turned on at the same time. The Si1145/46/47 can generate an interrupt after a complete set of proximity measurements.

To support different power usage cases dynamically, the infrared LED current of each output is independently programmable. The current can be programmed anywhere from a few to several hundred milliamps. Therefore, the host can optimize for proximity detection performance or for power saving dynamically. This feature can be useful since it allows the host to reduce the LED current once an object has entered a proximity sphere, and the object can still be tracked at a lower current setting. Finally, the flexible current settings make it possible to control the infrared LED currents with a controlled current sink, resulting in higher precision.

The ADC properties are programmable. For indoor operation, the ADC should be configured for low signal range for best reflectance sensitivity. When under high ambient conditions, the ADC should be configured for high signal level range operation.

When operating in the lower signal range, it is possible to saturate the ADC when the ambient light level is high. Any overflow condition is reported in the RESPONSE register, and the corresponding data registers report a value of 0xFFFF. The host can then adjust the ADC sensitivity. Note however that the overflow condition is not sticky. If the light levels return to a range within the capabilities of the ADC, the corresponding data registers begin to operate normally. However, the RESPONSE register will continue to hold the overflow condition until a NOP command is received. Even if the RESPONSE register has an overflow condition, commands are still accepted and processed.

Proximity detection ranges beyond 50 cm and up to several meters can be achieved without lensing by selecting a longer integration time. The detection range may be increased further, even with high ambient light, by averaging multiple measurements. Refer to "AN498: Designer's Guide for the Si114x" for more details.

2.3. Ambient Light

The Si1145/46/47 has photodiodes capable of measuring both visible and infrared light. However, the visible photodiode is also influenced by infrared light. The measurement of illuminance requires the same spectral response as the human eye. If an accurate lux measurement is desired, the extra IR response of the visible-light photodiode must be compensated. Therefore, to allow the host to make corrections to the infrared light's influence, the Si1145/46/47 reports the infrared light measurement on a separate channel. The separate visible and IR photodiodes lend themselves to a variety of algorithmic solutions. The host can then take these two measurements and run an algorithm to derive an equivalent lux level as perceived by a human eye. Having the IR correction algorithm running in the host allows for the most flexibility in adjusting for system-dependent variables. For example, if the glass used in the system blocks visible light more than infrared light, the IR correction needs to be adjusted.

If the host is not making any infrared corrections, the infrared measurement can be turned off in the CHLIST parameter.

By default, the measurement parameters are optimized for indoor ambient light levels where it is possible to detect light levels as low as 6 lx. For operation under direct sunlight, the ADC can be programmed to operate in a high signal operation so that it is possible to measure direct sunlight without overflowing the 16-bit result.

For low-light applications, it is possible to increase the ADC integration time. Normally, the integration time is 25.6 μ s. By increasing this integration time to 410 μ s, the ADC can detect light levels as low as 1 lx. The ADC can be programmed with an integration time as high as 3.28 ms, allowing measurement to 100 mlx light levels. The ADC integration time for the Visible Light Ambient measurement can be programmed independently of the ADC integration time of the Infrared Light Ambient measurement. The independent ADC parameters allow operation under glass covers having a higher transmittance to Infrared Light than Visible Light.

When operating in the lower signal range, or when the integration time is increased, it is possible to saturate the ADC when the ambient light suddenly increases. Any overflow condition is reported in the RESPONSE register, and the corresponding data registers report a value of 0xFFFF. Based on either of these two overflow indicators, the host can adjust the ADC sensitivity. However, the overflow condition is not sticky. If the light levels return to a range within the capabilities of the ADC, the corresponding data registers begin to operate normally. The RESPONSE register will continue to hold the overflow condition until a NOP command is received. Even if the RESPONSE register has an overflow condition, commands are still accepted and processed.

The Si1145/46/47 can initiate ALS measurements either when explicitly commanded by the host or periodically through an autonomous process. Refer to "3. Operational Modes" on page 19 for additional details of the Si1145/46/47's Operational Modes.



Figure 7. Photodiode Spectral Response to Visible and Infrared Light (Indicative)

2.4. Ultraviolet (UV) Index

The UV Index is a number linearly related to the intensity of sunlight reaching the earth and is weighted according to the CIE Erythemal Action Spectrum as shown in Figure 8. This weighting is a standardized measure of human skin's response to different wavelengths of sunlight from UVB to UVA. The UV Index has been standardized by the World Health Organization and includes a simplified consumer UV exposure level as shown in Figures 9 and 10.

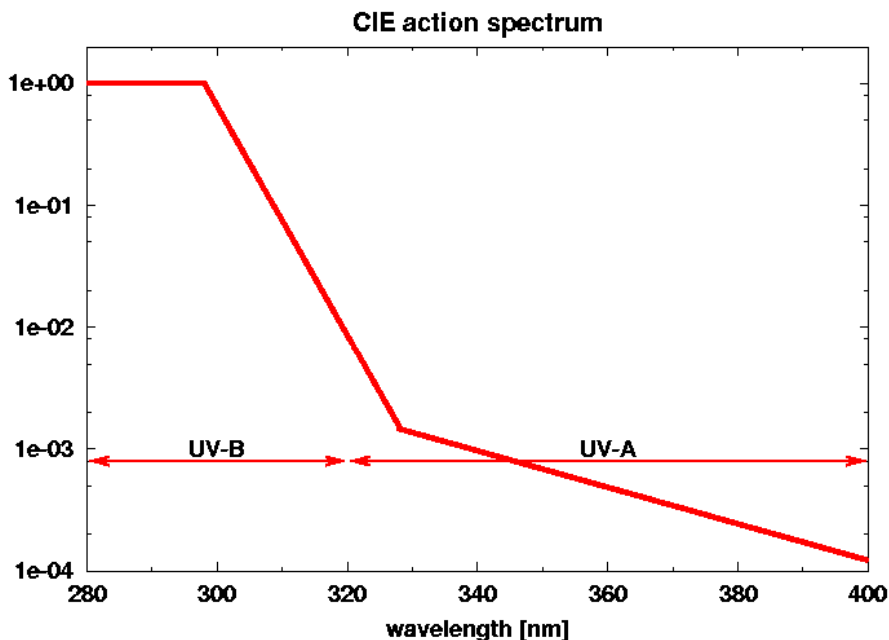


Figure 8. CIE Erythemal Action Spectrum

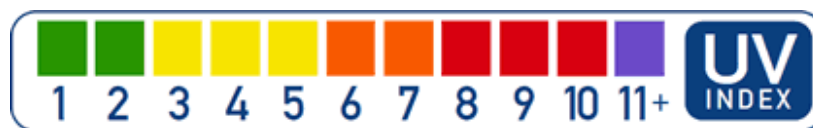


Figure 9. UV Index Scale



Figure 10. UV Levels

Si1145/46/47

To enable UV reading, set the EN_UV bit in CHLIST, and configure UCOEF [0:3] to the default values of 0x7B, 0x6B, 0x01, and 0x00. Also, set the VIS_RANGE and IR_RANGE bits. If the sensor will be under an overlay that is not 100% transmissive to sunlight, contact Silicon Labs for more information on adjusting these coefficients.

Typically, after 285 μ s, AUX_DATA will contain a 16-bit value representing 100 times the sunlight UV Index. Host software must divide the results from AUX_DATA by 100.

The accuracy of UV readings can be improved by using calibration parameters that are programmed into the Si1132/Si114x at Silicon Labs' production facilities to adjust for normal part-to-part variation. The calibration parameters are recovered from the Si113x/Si114x by writing Command Register @ address 0x18 with the value 0x12.

When the calibration parameters are recovered they show up at I²C registers 0x22 to 0x2D. These are the same registers used to report the VIS, IR, PS1, PS2, PS3, and AUX measurements.

The use of calibration parameters is documented in the file, Si114x_functions.h, which is part of the Si114x Programmer's Toolkit example source code and is downloadable from Silabs.com. The host code is expected to allocate memory for the SI114X_CAL_S structure. The si114x_calibration routine will then fill it up with the appropriate values.

Once the calibration parameters have been recovered the routine Si114x_set_ucoef is used to modify the default values that go into the UCOEF0 to UCOEF3 UV configuration registers to remove normal part-to-part variation.

The typical calibrated UV sensor response vs. calculated ideal UV Index is shown in Figure 11 for a large database of sunlight spectra from cloudy to sunny days and at various angles of the sun/time of day.

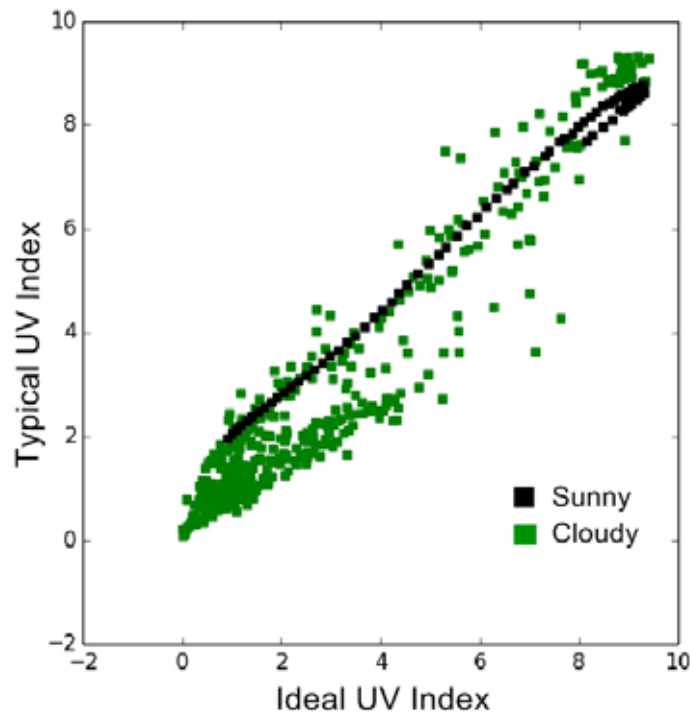


Figure 11. Calibrated UV Sensor Response vs. Calculated Ideal UV Index (AUX_DATA Measurement / 100)

2.5. Host Interface

The host interface to the Si1145/46/47 consists of three pins:

- SCL
- SDA
- INT

SCL and SDA are standard open-drain pins as required for I²C operation.

The Si1145/46/47 asserts the INT pin to interrupt the host processor. The INT pin is an open-drain output. A pull-up resistor is needed for proper operation. As an open-drain output, it can be shared with other open-drain interrupt sources in the system.

For proper operation, the Si1145/46/47 is expected to fully complete its Initialization Mode prior to any activity on the I²C.

The INT, SCL, and SDA pins are designed so that it is possible for the Si1145/46/47 to enter the Off Mode by software command without interfering with normal operation of other I²C devices on the bus.

The Si1145/46/47 I²C slave address is 0x60. The Si1145/46/47 also responds to the global address (0x00) and the global reset command (0x06). Only 7-bit I²C addressing is supported; 10-bit I²C addressing is not supported. Conceptually, the I²C interface allows access to the Si1145/46/47 internal registers. Table 14 on page 29 is a summary of these registers.

An I²C write access always begins with a start (or restart) condition. The first byte after the start condition is the I²C address and a read-write bit. The second byte specifies the starting address of the Si1145/46/47 internal register. Subsequent bytes are written to the Si1145/46/47 internal register sequentially until a stop condition is encountered. An I²C write access with only two bytes is typically used to set up the Si1145/46/47 internal address in preparation for an I²C read.

The I²C read access, like the I²C write access, begins with a start or restart condition. In an I²C read, the I²C master then continues to clock SCK to allow the Si1145/46/47 to drive the I²C with the internal register contents.

The Si1145/46/47 also supports burst reads and burst writes. The burst read is useful in collecting contiguous, sequential registers. The Si1145/46/47 register map was designed to optimize for burst reads for interrupt handlers, and the burst writes are designed to facilitate rapid programming of commonly used fields.

The internal register address is a six-bit (bit 5 to bit 0) plus an Autoincrement Disable (on bit 6). The Autoincrement Disable is turned off by default. Disabling the autoincrementing feature allows the host to poll any single internal register repeatedly without having to keep updating the Si1145/46/47 internal address every time the register is read.

It is recommended that the host should read PS or ALS measurements (in the I²C Register Map) when the Si1145/46/47 asserts INT. Although the host can read any of the Si1145/46/47's I²C registers at any time, care must be taken when reading 2-byte measurements outside the context of an interrupt handler. The host could be reading part of the 2-byte measurement when the internal sequencer is updating that same measurement coincidentally. When this happens, the host could be reading a hybrid 2-byte quantity whose high byte and low byte are parts of different samples. If the host must read these 2-byte registers outside the context of an interrupt handler, the host should "double-check" a measurement if the measurement deviates significantly from a previous reading.

I²C Broadcast Reset: The I²C Broadcast Reset should be sent prior to any I²C register access to the Si114x. If any I²C register or parameter has already been written to the Si114x when the I²C Broadcast Reset is issued, the host must send a reset command and reinitialize the Si114x completely.

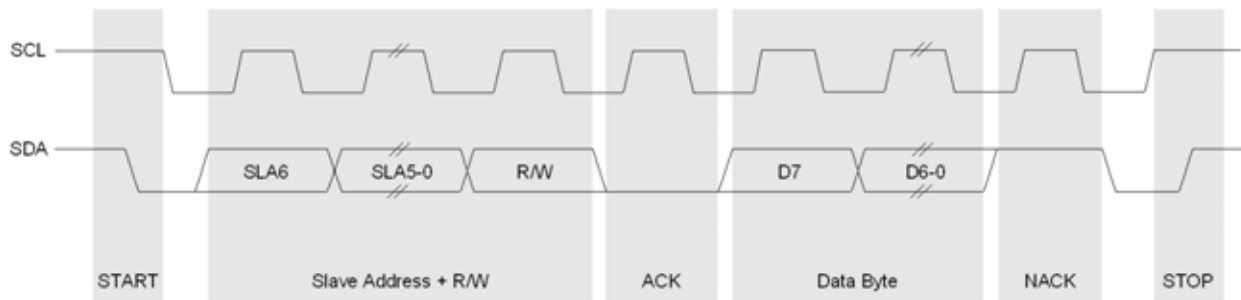


Figure 12. I²C Bit Timing Diagram



Figure 13. Host Interface Single Write

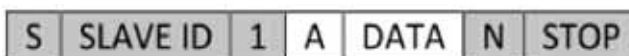


Figure 14. Host Interface Single Read

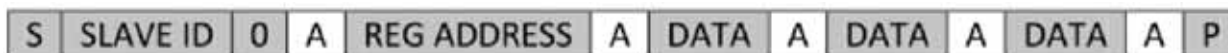


Figure 15. Host Interface Burst Write



Figure 16. Host Interface Burst Read

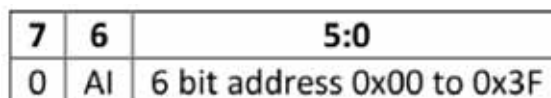


Figure 17. Si1145/46/47 REG ADDRESS Format

Notes:

- Gray boxes are driven by the host to the Si1145/46/47
- White boxes are driven by the Si1145/46/47 to the host
- A = ACK or “acknowledge”
- N = NACK or “no acknowledge”
- S = START condition
- Sr = repeat START condition
- P = STOP condition
- AI = Disable Auto Increment when set

3. Operational Modes

The Si1145/46/47 can be in one of many operational modes at any one time. It is important to consider the operational mode since the mode has an impact on the overall power consumption of the Si1145/46/47. The various modes are:

- Off Mode
- Initialization Mode
- Standby Mode
- Forced Conversion Mode
- Autonomous Mode

3.1. Off Mode

The Si1145/46/47 is in the Off Mode when V_{DD} is either not connected to a power supply or if the V_{DD} voltage is below the stated V_{DD_OFF} voltage described in the electrical specifications. As long as the parameters stated in Table 4, “Absolute Maximum Limits,” on page 9 are not violated, no current will flow through the Si1145/46/47. In the Off Mode, the Si1145/46/47 SCL and SDA pins do not interfere with other I²C devices on the bus. The LED pins will not draw current through the infrared diodes. Keeping V_{DD} less than V_{DD_OFF} is not intended as a method of achieving lowest system current draw. The reason is that the ESD protection devices on the SCL, SDA and INT pins also form a current path through V_{DD} . If V_{DD} is grounded for example, then, current flow from system power to system ground through the SCL, SDA and INT pull-up resistors and the ESD protection devices.

Allowing V_{DD} to be less than V_{DD_OFF} is intended to serve as a hardware method of resetting the Si1145/46/47 without a dedicated reset pin.

The Si1145/46/47 can also reenter the Off Mode upon receipt of either a general I²C reset or if a software reset sequence is initiated. When one of these software methods is used to enter the Off Mode, the Si1145/46/47 typically proceeds directly from the Off Mode to the Initialization Mode.

3.2. Initialization Mode

When power is applied to V_{DD} and is greater than the minimum V_{DD} Supply Voltage stated in Table 1, “Recommended Operating Conditions,” on page 4, the Si1145/46/47 enters its Initialization Mode. In the Initialization Mode, the Si1145/46/47 performs its initial startup sequence. Since the I²C may not yet be active, it is recommended that no I²C activity occur during this brief Initialization Mode period. The “Start-up time” specification in Table 1 is the minimum recommended time the host needs to wait before sending any I²C accesses following a power-up sequence. After Initialization Mode has completed, the Si1145/46/47 enters Standby Mode. The host must write 0x17 to the HW_KEY register for proper operation.

3.3. Standby Mode

The Si1145/46/47 spends most of its time in Standby Mode. After the Si1145/46/47 completes the Initialization Mode sequence, it enters Standby mode. While in Standby Mode, the Si1145/46/47 does not perform any Ambient Light measurements or Proximity Detection functions. However, the I²C interface is active and ready to accept reads and writes to the Si1145/46/47 registers. The internal Digital Sequence Controller is in its sleep state and does not draw much power. In addition, the INT output retains its state until it is cleared by the host.

I²C accesses do not necessarily cause the Si1145/46/47 to exit the Standby Mode. For example, reading Si1145/46/47 registers is accomplished without needing the Digital Sequence Controller to wake from its sleep state.

3.4. Forced Conversion Mode

The Si1145/46/47 can operate in Forced Conversion Mode under the specific command of the host processor. The Forced Conversion Mode is entered if either the ALS_FORCE or the PS_FORCE command is sent. Upon completion of the conversion, the Si1145/46/47 can generate an interrupt to the host if the corresponding interrupt is enabled. It is possible to initiate both an ALS and multiple PS measurements with one command register write access by using the PSALS_FORCE command.

3.5. Autonomous Operation Mode

The Si1145/46/47 can be placed in the Autonomous Operation Mode where measurements are performed automatically without requiring an explicit host command for every measurement. The PS_AUTO, ALS_AUTO and PSALS_AUTO commands are used to place the Si1145/46/47 in the Autonomous Operation Mode.

The Si1145/46/47 updates the I²C registers for PS and ALS automatically. Each measurement is allocated a 16-bit register in the I²C map. It is possible to operate the Si1145/46/47 without interrupts. When doing so, the host poll rate must be at least twice the frequency of the conversion rates for the host to always receive a new measurement. The host can also choose to be notified when these new measurements are available by enabling interrupts.

The conversion frequencies for the PS and ALS measurements are set up by the host prior to the PS_AUTO, ALS_AUTO, or PSALS_AUTO commands.

4. Programming Guide

4.1. Command and Response Structure

All Si1145/46/47 I²C registers (except writes to the COMMAND register) are read or written without waking up the internal sequencer. A complete list of the I²C registers can be found in "4.5. I2C Registers" on page 29. In addition to the I²C Registers, RAM parameters are memory locations maintained by the internal sequencer. These RAM Parameters are accessible through a Command Protocol (see "4.6. Parameter RAM" on page 45). A complete list of the RAM Parameters can be found in "4.6. Parameter RAM" on page 45.

The Si1145/46/47 can operate either in Forced Measurement or Autonomous Mode. When in Forced Measurement mode, the Si1145/46/47 does not make any measurements unless the host specifically requests the Si1145/46/47 to do so via specific commands (refer to the Section 3.2). The CHLIST parameter needs to be written so that the Si1145/46/47 would know which measurements to make. The parameter MEAS_RATE, when zero, places the internal sequencer in Forced Measurement mode. When in Forced Measurement mode, the internal sequencer wakes up only when the host writes to the COMMAND register. The power consumption is lowest in Forced Measurement mode (MEAS_RATE = 0).

The Si1145/46/47 operates in Autonomous Operation mode when MEAS_RATE is non-zero. The MEAS_RATE represents the time interval at which the Si1145/46/47 wakes up periodically. Once the internal sequencer has awoken, up to three proximity measurements are made (PS1, PS2 and PS3) depending on which measurements are enabled via the lower bits of the CHLIST Parameter. All three PS measurements are performed, in sequence, beginning with the PS1 measurement channel. Up to three measurements are made (ALS_VIS, ALS_IR and AUX) depending on which measurements are enabled via the upper bits of the CHLIST Parameter. All three measurements are made in the following sequence: ALS_VIS, ALS_IR and AUX.

The operation of the Si1145/46/47 can be described as two measurement groups bound by some common factors. The PS Measurement group consists of the three PS measurements while the ALS Measurement group consists of the Visible Light Ambient Measurement (ALS_VIS), the Infrared Light Ambient Measurement (ALS_IR) and the Auxiliary measurement (AUX). Each measurement group has three measurements each. The Channel List (CHLIST) parameter enables the specific measurements for that measurement grouping.

Each measurement (PS1, PS2, PS3, ALS_VIS, ALS_IR, AUX) are controlled through a combination of I2C Register or Parameter RAM. Tables 7 to 9 below summarize the properties and resources used for each measurement.

4.2. Command Protocol

The I²C map implements a bidirectional message box between the host and the Si1145/46/47 Sequencer. Host-writable I²C registers facilitate host-to-Si1145/46/47 communication, while read-only I²C registers are used for Si1145/46/47-to-host communication.

Unlike the other host-writable I²C registers, the COMMAND register causes the internal sequencer to wake up from Standby mode to process the host request.

When a command is executed, the RESPONSE register is updated. Typically, when there is no error, the upper four bits are zeros. To allow command tracking, the lower four bits implement a 4-bit circular counter. In general, if the upper nibble of the RESPONSE register is non-zero, this indicates an error or the need for special processing.

The PARAM_WR and PARAM_RD registers are additional mailbox registers.

In addition to the registers in the I²C map, there are environmental parameters accessible through the Command/Response interface. These parameters are stored in the internal ram space. These parameters generally take more I²C accesses to read and write. The Parameter RAM is described in "4.6. Parameter RAM" on page 45.

For every write to the Command register, the following sequence is required:

1. Write 0x00 to Command register to clear the Response register.
2. Read Response register and verify contents are 0x00.
3. Write Command value from Table 5 into Command register.
4. Read the Response register and verify contents are now non-zero. If contents are still 0x00, repeat this step.*

***Note:** Step 4 is not applicable to the Reset Command because the device will reset itself and does not increment the Response register after reset. No Commands should be issued to the device for at least 1 ms after a Reset is issued.

The Response register will be incremented upon the successful completion of a Command. If the Response register remains 0x00 for over 25 ms after the Command write, the entire Command process should be repeated starting with Step 1.

Table 5. Command Register Summary

| COMMAND Register | | PARAM_W R Register | PARAM_RD Register | Error Code in RESPONSE Register | Description |
|------------------|-----------|-----------------------|----------------------|------------------------------------|---|
| Name | Encoding | | | | |
| PARAM_QUERY | 100 aaaaa | — | nnnn nnnn | ✓ | Reads the parameter pointed to by bitfield [4:0] and writes value to PARAM_RD. See Table 15 for parameters. |
| PARAM_SET | 101 aaaaa | dddd dddd | nnnn nnnn | ✓ | Sets parameter pointed by bitfield [4:0] with value in PARAM_WR, and writes value out to PARAM_RD. See Table 15 for parameters. |
| NOP | 000 00000 | — | — | ✓ | Forces a zero into the RESPONSE register |
| RESET | 000 00001 | — | — | ✓ | Performs a software reset of the firmware |
| BUSADDR | 000 00010 | — | — | — | Modifies I ² C address |
| Reserved | 000 00011 | — | — | — | — |
| Reserved | 000 00100 | — | — | — | — |
| PS_FORCE | 000 00101 | — | — | ✓ | Forces a single PS measurement |
| GET_CAL | 0001 0010 | — | — | — | Reports calibration data to I ² C registers 0x22–0x2D |

Table 5. Command Register Summary (Continued)

| COMMAND Register | | PARAM_W R Register | PARAM_RD Register | Error Code in RESPONSE Register | Description |
|------------------|-----------|-----------------------|----------------------|------------------------------------|--|
| Name | Encoding | | | | |
| ALS_FORCE | 000 00110 | — | — | ✓ | Forces a single ALS measurement |
| PSALS_FORCE | 000 00111 | — | — | ✓ | Forces a single PS and ALS measurement |
| Reserved | 000 01000 | — | — | — | — |
| PS_PAUSE | 000 01001 | — | — | ✓ | Pauses autonomous PS |
| ALS_PAUSE | 000 01010 | — | — | ✓ | Pauses autonomous ALS |
| PSALS_PAUSE | 000 01011 | — | — | ✓ | Pauses PS and ALS |
| Reserved | 000 01100 | — | — | ✓ | — |
| PS_AUTO | 000 01101 | — | — | ✓ | Starts/Restarts an autonomous PS Loop |
| ALS_AUTO | 000 01110 | — | — | ✓ | Starts/Restarts an autonomous ALS Loop |
| PSALS_AUTO | 000 01111 | — | — | ✓ | Starts/Restarts autonomous ALS and PS loop |
| Reserved | 000 1xxxx | — | — | — | — |

Table 6. Response Register Error Codes

| RESPONSE Register | Description |
|-------------------|--|
| 0000 cccc | NO_ERROR. The lower bit is a circular counter and is incremented every time a command has completed. This allows the host to keep track of commands sent to the Si1145/46/47. The circular counter may be cleared using the NOP command. |
| 1000 0000 | INVALID_SETTING. An invalid setting was encountered. Clear using the NOP command. |
| 1000 1000 | PS1_ADC_OVERFLOW. Indicates proximity channel one conversion overflow. |
| 1000 1001 | PS2_ADC_OVERFLOW. Indicates proximity channel two conversion overflow. |
| 1000 1010 | PS3_ADC_OVERFLOW. Indicates proximity channel three conversion overflow. |
| 1000 1100 | ALS_VIS_ADC_OVERFLOW. Indicates visible ambient light channel conversion overflow. |
| 1000 1101 | ALS_IR_ADC_OVERFLOW. Indicates infrared ambient light channel conversion overflow. |
| 1000 1110 | AUX_ADC_OVERFLOW. Indicates auxiliary channel conversion overflow. |

4.3. Resource Summary

Table 7. Resource Summary for Interrupts

| Measurement Channel | Channel Enable | Interrupt Status Output | Interrupt Enable | Autonomous Measurement Time Base |
|-----------------------|-------------------------|---------------------------------|--------------------------------|----------------------------------|
| Proximity Sense 1 | EN_PS1 in CHLIST[0] | PS1_INT in IRQ_STATUS[2] | PS1_IE in IRQ_ENABLE[2] | MEAS_RATE[15:0] |
| Proximity Sense 2 | EN_PS2 in CHLIST[1] | PS2_INT in IRQ_STATUS[3] | PS2_IE in IRQ_ENABLE[3] | |
| Proximity Sense 3 | EN_PS3 in CHLIST[2] | PS3_INT in IRQ_STATUS[4] | PS3_EN in IRQ_ENABLE[4] | |
| ALS Visible | EN_ALS_VIS in CHLIST[4] | ALS_INT[1:0] in IRQ_STATUS[1:0] | ALS_IE[1:0] in IRQ_ENABLE[1:0] | |
| ALS IR | EN_ALS_IR in CHLIST[5] | | | |
| Auxiliary Measurement | EN_AUX in CHLIST[6] | — | — | |

Table 8. Resource Summary for LED Choice and ADC Parameters

| Measurement Channel | LED Selection | ADC Mode | ADC Output | ADC Input Source | ADC Recovery Count | ADC High Signal Mode |
|-----------------------|-------------------------------------|-------------------------------|---------------------------------------|------------------|---|-----------------------------------|
| Proximity Sense 1 | PS1_LED[2:0] in PSLED12_SELECT[2:0] | PS_ADC_MODE in PS_ADC_MISC[2] | PS1_DATA1[7:0] / PS1_DATA0[7:0] | PS1_ADC-MUX[7:0] | PS_ADC_REC in PS_AD-C_COUNTER [6:4] | PS_RANGE in PS_ADC_-MISC[5] |
| | | | PS2_DATA1[7:0] / PS2_DATA0[7:0] | PS2_ADC-MUX[7:0] | | |
| | | | PS3_DATA1[7:0] / PS3_DATA0[7:0] | PS3_ADC-MUX[7:0] | | |
| ALS Visible | --- | --- | ALS_VIS_DATA1 / ALS_VIS_DATA0 | | VIS_ADC_REC in ALS_VIS_AD-C_COUNTER [6:4] | VIS_RANGE in ALS_VIS_AD-C_MISC[5] |
| | | | ALS_IR_DATA1[7:0] / ALS_IR_DATA0[7:0] | | IR_ADC_REC in ALS_IR_AD-C_COUNTER [6:4] | IR_RANGE in ALS_IR_ADC_-MISC[5] |
| Auxiliary Measurement | | | AUX_DATA1[7:0] / AUX_DATA0[7:0] | AUX_ADC-MUX[7:0] | --- | --- |

Table 9. Resource Summary for Hardware Pins

| Pin Name | LED Current Drive | Output Drive Disable | Analog Voltage Input Enable |
|----------|------------------------|----------------------|-----------------------------|
| LED1 | LED1_I in PSLED12[3:0] | | ANA_IN_KEY[31:0] |
| LED2 | LED2_I in PSLED12[7:4] | HW_KEY[7:0] | ANA_IN_KEY[31:0] |
| LED3 | LED3_I in PSLED3[3:0] | HW_KEY[7:0] | |
| INT | | INT_OE in INT_CFG[0] | ANA_IN_KEY[31:0] |

The interrupts of the Si1145/46/47 are controlled through the INT_CFG, IRQ_ENABLE, IRQ_MODE1, IRQ_MODE2 and IRQ_STATUS registers.

The INT hardware pin is enabled through the INT_OE bit in the INT_CFG register. The hardware essentially performs an AND function between the IRQ_ENABLE register and IRQ_STATUS register. After this AND function, if any bits are set, the INT pin is asserted. The host is responsible for clearing the interrupt by writing to the IRQ_STATUS register. When the specific bits of the IRQ_STATUS register is written with '1', that specific IRQ_STATUS bit is cleared.

Typically, the host software is expected to read the IRQ_STATUS register, stores a local copy, and then writes the same value back to the IRQ_STATUS to clear the interrupt source. The INT_CFG register is normally written with '1'.

The IRQ_MODE1, IRQ_MODE2 and IRQ_ENABLE registers work together to define how the internal sequencer sets bits in the IRQ_STATUS register (and as a consequence, asserting the INT pin).

The PS1 interrupts are described in Table 10. The PS2 interrupts are described in Table 11. The PS3 interrupts are described in Table 12. The ALS interrupts are described in Table 13.

Table 10. PS1 Channel Interrupt Resources

| IRQ_ENABLE[2] | Description | |
|---------------|------------------------------------|--|
| PS1_IE | | |
| 0 | No PS1 Interrupts | |
| 1 | PS1_INT set after every PS1 sample | |

Table 11. PS2 Channel Interrupt Resources

| IRQ_ENABLE[3] | Description | |
|---------------|------------------------------------|--|
| PS2_IE | | |
| 0 | No PS2 Interrupts | |
| 1 | PS2_INT set after every PS2 sample | |

Table 12. PS3 Channel Interrupt Resources

| IRQ_ENABLE[4] | Description | |
|---------------|------------------------------------|--|
| PS3_IE | | |
| 0 | No PS3 Interrupts | |
| 1 | PS3_INT set after every PS3 sample | |

Table 13. Ambient Light Sensing Interrupt Resources

| IRQ_ENABLE[1:0] | | Description |
|-----------------|---|--|
| ALS_IE[1:0] | | |
| 0 | 0 | No ALS Interrupts |
| 0 | 1 | ALS_INT set after every ALS_VIS or UV sample |

4.4. Signal Path Software Model

The following diagram gives an overview of the signal paths, along with the I²C register and RAM Parameter bit fields that control them. Sections with detailed descriptions of the I²C registers and Parameter RAM follow.

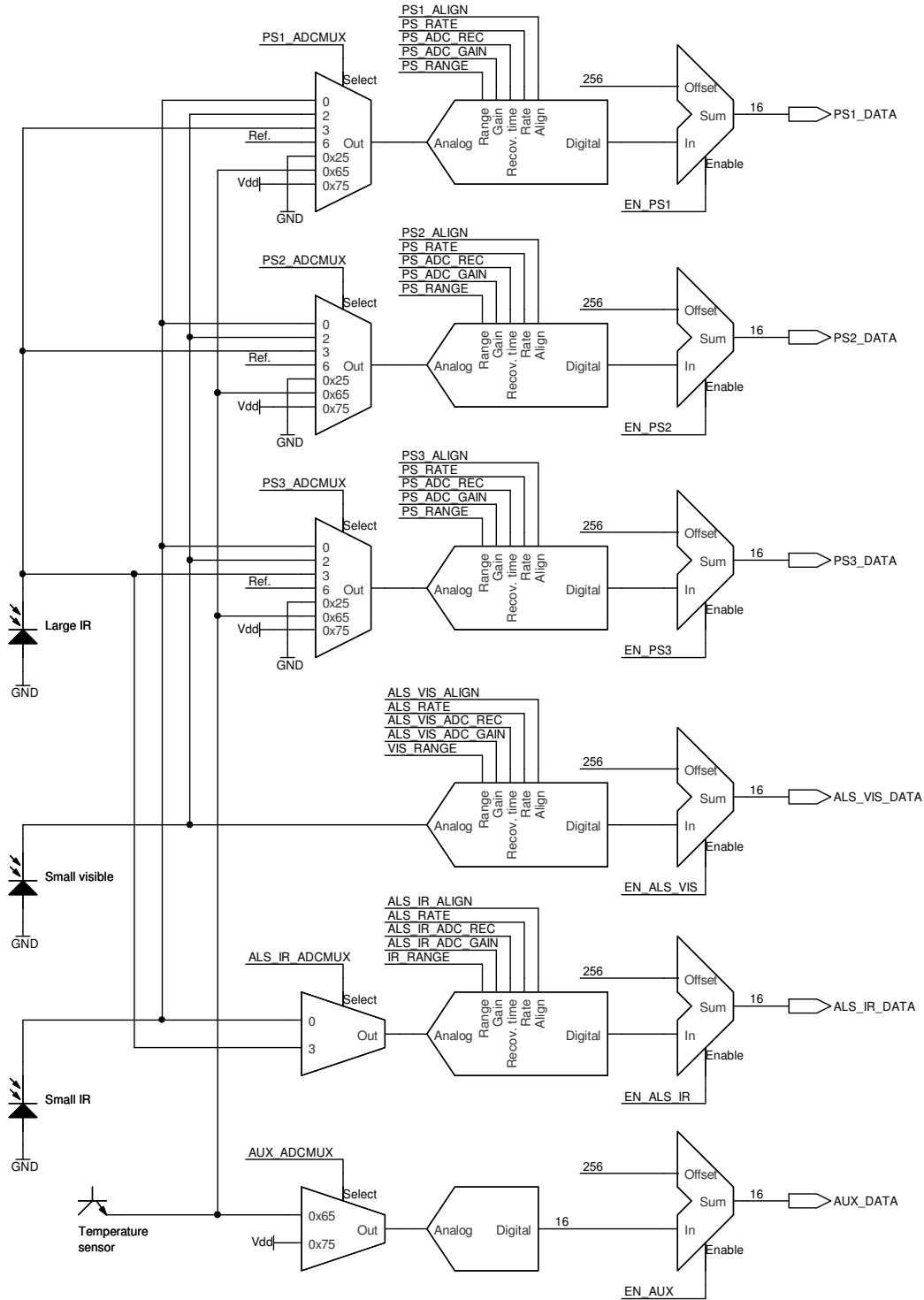


Figure 18. Signal Path Programming Model

4.5. I²C RegistersTable 14. I²C Register Summary

| I ² C Register Name | Address | 7 | 6 | 5 | 4 | 3 | 2 | 1 | 0 |
|--------------------------------|---------|---------------|---|---------|---------|---------|---------|---------|--------|
| PART_ID | 0x00 | PART_ID | | | | | | | |
| REV_ID | 0x01 | REV_ID | | | | | | | |
| SEQ_ID | 0x02 | SEQ_ID | | | | | | | |
| INT_CFG | 0x03 | INT_OE | | | | | | | |
| IRQ_ENABLE | 0x04 | | | PS3_IE | PS2_IE | PS1_IE | | | ALS_IE |
| HW_KEY | 0x07 | HW_KEY | | | | | | | |
| MEAS_RATE0 | 0x08 | MEAS_RATE0 | | | | | | | |
| MEAS_RATE1 | 0x09 | MEAS_RATE1 | | | | | | | |
| Reserved | 0x0A | | | | | | | | |
| Reserved | 0x0B | | | | | | | | |
| Reserved | 0x0C | | | | | | | | |
| Reserved | 0x0D | | | | | | | | |
| Reserved | 0x0E | | | | | | | | |
| PS_LED21 | 0x0F | LED2_I | | | | LED1_I | | | |
| PS_LED3 | 0x10 | | | | | LED3_I | | | |
| Reserved | 0x11 | | | | | | | | |
| Reserved | 0x12 | | | | | | | | |
| UCOEF0 | 0x13 | UCOEF0 | | | | | | | |
| UCOEF1 | 0x14 | UCOEF1 | | | | | | | |
| UCOEF2 | 0x15 | UCOEF2 | | | | | | | |
| UCOEF3 | 0x16 | UCOEF3 | | | | | | | |
| PARAM_WR | 0x17 | PARAM_WR | | | | | | | |
| COMMAND | 0x18 | COMMAND | | | | | | | |
| RESPONSE | 0x20 | RESPONSE | | | | | | | |
| IRQ_STATUS | 0x21 | | | CMD_INT | PS3_INT | PS2_INT | PS1_INT | ALS_INT | |
| ALS_VIS_DATA0 | 0x22 | ALS_VIS_DATA0 | | | | | | | |

Table 14. I²C Register Summary (Continued)

| I ² C Register Name | Address | 7 | 6 | 5 | 4 | 3 | 2 | 1 | 0 | |
|--------------------------------|---------------|--------------------|---|---|---|---|---------|---------|-------|--|
| ALS_VIS_DATA1 | 0x23 | ALS_VIS_DATA1 | | | | | | | | |
| ALS_IR_DATA0 | 0x24 | ALS_IR_DATA0 | | | | | | | | |
| ALS_IR_DATA1 | 0x25 | ALS_IR_DATA1 | | | | | | | | |
| PS1_DATA0 | 0x26 | PS1_DATA0 | | | | | | | | |
| PS1_DATA1 | 0x27 | PS1_DATA1 | | | | | | | | |
| PS2_DATA0 | 0x28 | PS2_DATA0 | | | | | | | | |
| PS2_DATA1 | 0x29 | PS2_DATA1 | | | | | | | | |
| PS3_DATA0 | 0x2A | PS3_DATA0 | | | | | | | | |
| PS3_DATA1 | 0x2B | PS3_DATA1 | | | | | | | | |
| AUX_DATA0/ UVINDEX0 | 0x2C | AUX_DATA0/UVINDEX0 | | | | | | | | |
| AUX_DATA1/ UVINDEX1 | 0x2D | AUX_DATA1/UVINDEX1 | | | | | | | | |
| PARAM_RD | 0x2E | PARAM_RD | | | | | | | | |
| CHIP_STAT | 0x30 | | | | | | RUNNING | SUSPEND | SLEEP | |
| ANA_IN_KEY | 0x3B– 0x3E | ANA_IN_KEY | | | | | | | | |

PART_ID @ 0x00

| | | | | | | | | |
|-------------|----------|----------|----------|----------|----------|----------|----------|----------|
| Bit | 7 | 6 | 5 | 4 | 3 | 2 | 1 | 0 |
| Name | PART_ID | | | | | | | |
| Type | R | | | | | | | |

Reset value = 0100 0101 (Si1145)

Reset value = 0100 0110 (Si1146)

Reset value = 0100 0111 (Si1147)

REV_ID @ 0x1

| | | | | | | | | |
|-------------|----------|----------|----------|----------|----------|----------|----------|----------|
| Bit | 7 | 6 | 5 | 4 | 3 | 2 | 1 | 0 |
| Name | REV_ID | | | | | | | |
| Type | R | | | | | | | |

Reset value = 0000 0000

SEQ_ID @ 0x02

| | | | | | | | | |
|-------------|----------|----------|----------|----------|----------|----------|----------|----------|
| Bit | 7 | 6 | 5 | 4 | 3 | 2 | 1 | 0 |
| Name | SEQ_ID | | | | | | | |
| Type | R | | | | | | | |

Reset value = 0000 1000

| Bit | Name | Function |
|------------|-------------|--|
| 7:0 | SEQ_ID | Sequencer Revision. 0x08 Si114x-A10 (MAJOR_SEQ=1, MINOR_SEQ=0) |

Si1145/46/47

INT_CFG @ 0x03

| Bit | 7 | 6 | 5 | 4 | 3 | 2 | 1 | 0 |
|------|---|---|---|---|---|---|----|--------|
| Name | | | | | | | | INT_OE |
| Type | | | | | | | RW | RW |

Reset value = 0000 0000

| Bit | Name | Function |
|-----|----------|--|
| 7:2 | Reserved | Reserved. |
| 0 | INT_OE | INT Output Enable. INT_OE controls the INT pin drive 0: INT pin is never driven 1: INT pin driven low whenever an IRQ_STATUS and its corresponding IRQ_ENABLE bits match |

IRQ_ENABLE @ 0x04

| Bit | 7 | 6 | 5 | 4 | 3 | 2 | 1 | 0 |
|------|---|---|----|--------|--------|--------|---|--------|
| Name | | | | PS3_IE | PS2_IE | PS1_IE | | ALS_IE |
| Type | | | RW | RW | RW | RW | | RW |

Reset value = 0000 0000

| Bit | Name | Function |
|-----|----------|--|
| 7:5 | Reserved | Reserved. |
| 4 | PS3_IE | PS3 Interrupt Enable. Enables interrupts based on PS3 Channel Activity. 0: INT never asserts due to PS3 Channel activity. 1: Assert INT pin whenever PS3_INT is set by the internal sequencer. |
| 3 | PS2_IE | PS2 Interrupt Enable. Enables interrupts based on PS2 Channel Activity. 0: INT never asserts due to PS2 Channel activity. 1: Assert INT pin whenever PS2_INT is set by the internal sequencer. |
| 2 | PS1_IE | PS1 Interrupt Enable. Enables interrupts based on PS1 Channel Activity. 0: INT never asserts due to PS1 Channel activity. 1: Assert INT pin whenever PS1_INT is set by the internal sequencer. |
| 1 | Reserved | Reserved. |
| 0 | ALS_IE | ALS Interrupt Enable. Enables interrupts when VIS bit or UV bit in CHLIST is enabled. 0: INT never asserts due to VIS or UV activity 1: Assert INT pin whenever VIS or UV measurements are ready |

Si1145/46/47

HW_KEY @ 0x07

| Bit | 7 | 6 | 5 | 4 | 3 | 2 | 1 | 0 |
|------|--------|---|---|---|---|---|---|---|
| Name | HW_KEY | | | | | | | |
| Type | RW | | | | | | | |

Reset value = 0000 0000

| Bit | Name | Function |
|-----|--------|--|
| 7:0 | HW_KEY | The system must write the value 0x17 to this register for proper Si114x operation. |

MEAS_RATE0: MEAS_RATE Data Word Low Byte @ 0x08

| Bit | 7 | 6 | 5 | 4 | 3 | 2 | 1 | 0 |
|------|----------------|---|---|---|---|---|---|---|
| Name | MEAS_RATE[7:0] | | | | | | | |
| Type | RW | | | | | | | |

Reset value = 0000 0000

| Bit | Name | Function |
|-----|----------------|---|
| 7:0 | MEAS_RATE[7:0] | MEAS_RATE1 and MEAS_RATE0 together form a 16-bit value: MEAS_RATE [15:0]. The 16-bit value, when multiplied by 31.25 us, represents the time duration between wake-up periods where measurements are made. Once the device wakes up, all measurements specified in CHLIST are made. Note that for the Si1145/6/7 with SEQ_ID=0x01, there is a code error that places MEAS_RATE0 at 0x0A with MEAS_RATE1 at 0x08 instead. This will be fixed in future revisions of the Si1145/6/7. |

MEAS_RATE1: MEAS_RATE Data Word High Byte @ 0x09

| | | | | | | | | |
|-------------|-----------------|----------|----------|----------|----------|----------|----------|----------|
| Bit | 7 | 6 | 5 | 4 | 3 | 2 | 1 | 0 |
| Name | MEAS_RATE[15:8] | | | | | | | |
| Type | RW | | | | | | | |

Reset value = 0000 0000

| Bit | Name | Function |
|------------|-----------------|---|
| 7:0 | MEAS_RATE[15:8] | MEAS_RATE1 and MEAS_RATE0 together form a 16-bit value: MEAS_RATE[15:0]. The 16-bit value, when multiplied by 31.25 ms, represents the time duration between wake-up periods where measurements are made. Once the device wakes up, all measurements specified in CHLIST are made. Note that for the Si1145/6/7 with SEQ_ID=0x01, there is a code error that places MEAS_RATE0 at 0x0A and MEAS_RATE1 at 0x08 instead. This will be fixed in future revisions of the Si1145/6/7. |

Si1145/46/47

PS_LED21 @ 0x0F

| Bit | 7 | 6 | 5 | 4 | 3 | 2 | 1 | 0 |
|------|--------|---|---|---|--------|---|---|---|
| Name | LED2_I | | | | LED1_I | | | |
| Type | RW | | | | RW | | | |

Reset value = 0000 0000

| Bit | Name | Function |
|-----|--------|---|
| 7:4 | LED2_I | LED2_I Represents the irLED current sunk by the LED2 pin during a PS measurement. On the Si1145, these bits must be set to zero. |
| 3:0 | LED1_I | LED1_I Represents the irLED current sunk by the LED1 pin during a PS measurement. LED3_I, LED2_I, and LED1_I current encoded as follows: 0000: No current 0001: Minimum current 1111: Maximum current Refer to Table 2, "Performance Characteristics ¹ ," on page 5 for LED current values. |

PS_LED3 @ 0x10

| Bit | 7 | 6 | 5 | 4 | 3 | 2 | 1 | 0 |
|------|----|---|---|---|--------|---|---|---|
| Name | | | | | LED3_I | | | |
| Type | RW | | | | | | | |

Reset value = 0000 0000

| Bit | Name | Function |
|-----|----------|---|
| 7:4 | Reserved | Reserved. |
| 3:0 | LED3_I | LED3_I Represents the irLED current sunk by the LED3 pin during a PS measurement. See PS_LED21 Register for additional details. On the Si1145 and Si1146, these bits must be set to zero. |

PARAM_WR @ 0x17

| Bit | 7 | 6 | 5 | 4 | 3 | 2 | 1 | 0 |
|------|----------|---|---|---|---|---|---|---|
| Name | PARAM_WR | | | | | | | |
| Type | RW | | | | | | | |

Reset value = 0000 0000

| Bit | Name | Function |
|-----|----------|---|
| 7:0 | PARAM_WR | Mailbox register for passing parameters from the host to the sequencer. |

COMMAND @ 0x18

| Bit | 7 | 6 | 5 | 4 | 3 | 2 | 1 | 0 |
|------|---------|---|---|---|---|---|---|---|
| Name | COMMAND | | | | | | | |
| Type | RW | | | | | | | |

Reset value = 0000 0000

| Bit | Name | Function |
|-----|---------|--|
| 7:0 | COMMAND | <p>COMMAND Register.</p> <p>The COMMAND Register is the primary mailbox register into the internal sequencer. Writing to the COMMAND register is the only I²C operation that wakes the device from standby mode.</p> |

RESPONSE @ 0x20

| Bit | 7 | 6 | 5 | 4 | 3 | 2 | 1 | 0 |
|------|----------|---|---|---|---|---|---|---|
| Name | RESPONSE | | | | | | | |
| Type | RW | | | | | | | |

Reset value = 0000 0000

| Bit | Name | Function |
|-----|----------|--|
| 7:0 | RESPONSE | <p>The Response register is used in conjunction with command processing. When an error is encountered, the response register will be loaded with an error code. All error codes will have the MSB is set.</p> <p>The error code is retained until a RESET or NOP command is received by the sequencer. Other commands other than RESET or NOP will be ignored. However, any autonomous operation in progress continues normal operation despite any error.</p> <p>0x00–0x0F: No Error. Bits 3:0 form an incrementing roll-over counter. The roll over counter in bit 3:0 increments when a command has been executed by the Si114x. Once autonomous measurements have started, the execution timing of any command becomes non-deterministic since a measurement could be in progress when the COMMAND register is written. The host software must make use of the rollover counter to ensure that commands are processed.</p> <p>0x80: Invalid Command Encountered during command processing 0x88: ADC Overflow encountered during PS1 measurement 0x89: ADC Overflow encountered during PS2 measurement 0x8A: ADC Overflow encountered during PS3 measurement 0x8C: ADC Overflow encountered during ALS-VIS measurement 0x8D: ADC Overflow encountered during ALS-IR measurement 0x8E: ADC Overflow encountered during AUX measurement</p> |

IRQ_STATUS @ 0x21

| Bit | 7 | 6 | 5 | 4 | 3 | 2 | 1 | 0 |
|-------------|---|---|---------|---------|---------|---------|----|---------|
| Name | | | CMD_INT | PS3_INT | PS2_INT | PS1_INT | | ALS_INT |
| Type | | | RW | RW | RW | RW | RW | |

Reset value = 0000 0000

| Bit | Name | Function |
|-----|----------|--|
| 7:6 | Reserved | Reserved. |
| 5 | CMD_INT | Command Interrupt Status. |
| 4 | PS3_INT | PS3 Interrupt Status. |
| 3 | PS2_INT | PS3 Interrupt Status. |
| 2 | PS1_INT | PS1 Interrupt Status. |
| 1:0 | ALS_INT | ALS Interrupt Status. (Refer to Table 13 for encoding.) |

Note: If the corresponding IRQ_ENABLE bit is also set when the IRQ_STATUS bit is set, the INT pin is asserted.**ALS_VIS_DATA0: ALS_VIS_DATA Data Word Low Byte @ 0x22**

| Bit | 7 | 6 | 5 | 4 | 3 | 2 | 1 | 0 |
|-------------|-------------------|---|---|---|---|---|---|---|
| Name | ALS_VIS_DATA[7:0] | | | | | | | |
| Type | RW | | | | | | | |

Reset value = 0000 0000

| Bit | Name | Function |
|-----|-------------------|---|
| 7:0 | ALS_VIS_DATA[7:0] | ALS VIS Data LSB. Once autonomous measurements have started, this register must be read after INT has asserted but before the next measurement is made. Refer to “AN498: Si114x Designer’s Guide”, section “5.6.2 Host Interrupt Latency”. |

Si1145/46/47

ALS_VIS_DATA1: ALS_VIS_DATA Data Word High Byte @ 0x23

| Bit | 7 | 6 | 5 | 4 | 3 | 2 | 1 | 0 |
|------|--------------------|---|---|---|---|---|---|---|
| Name | ALS_VIS_DATA[15:8] | | | | | | | |
| Type | RW | | | | | | | |

Reset value = 0000 0000

| Bit | Name | Function |
|-----|--------------------|---|
| 7:0 | ALS_VIS_DATA[15:8] | ALS VIS Data MSB. Once autonomous measurements have started, this register must be read after INT has asserted but before the next measurement is made. Refer to “AN498: Si114x Designer’s Guide”, section “5.6.2 Host Interrupt Latency”. |

ALS_IR_DATA0: ALS_IR_DATA Data Word Low Byte@ 0x24

| Bit | 7 | 6 | 5 | 4 | 3 | 2 | 1 | 0 |
|------|------------------|---|---|---|---|---|---|---|
| Name | ALS_IR_DATA[7:0] | | | | | | | |
| Type | RW | | | | | | | |

Reset value = 0000 0000

| Bit | Name | Function |
|-----|------------------|--|
| 7:0 | ALS_IR_DATA[7:0] | ALS IR Data LSB. Once autonomous measurements have started, this register must be read after INT has asserted but before the next measurement is made. Refer to “AN498: Si114x Designer’s Guide”, section “5.6.2 Host Interrupt Latency”. |

ALS_IR_DATA1: ALS_IR_DATA Data Word High Byte @ 0x25

| Bit | 7 | 6 | 5 | 4 | 3 | 2 | 1 | 0 |
|------|-------------------|---|---|---|---|---|---|---|
| Name | ALS_IR_DATA[15:8] | | | | | | | |
| Type | RW | | | | | | | |

Reset value = 0000 0000

| Bit | Name | Function |
|-----|-------------------|--|
| 7:0 | ALS_IR_DATA[15:8] | ALS IR Data MSB. Once autonomous measurements have started, this register must be read after INT has asserted but before the next measurement is made. Refer to “AN498: Si114x Designer’s Guide”, section “5.6.2 Host Interrupt Latency”. |

PS1_DATA0: PS1_DATA Data Word Low Byte @ 0x26

| Bit | 7 | 6 | 5 | 4 | 3 | 2 | 1 | 0 |
|------|---------------|---|---|---|---|---|---|---|
| Name | PS1_DATA[7:0] | | | | | | | |
| Type | RW | | | | | | | |

Reset value = 0000 0000

| Bit | Name | Function |
|-----|---------------|---|
| 7:0 | PS1_DATA[7:0] | PS1 Data LSB. Once autonomous measurements have started, this register must be read after INT has asserted but before the next measurement is made. Refer to “AN498: Si114x Designer’s Guide”, section “5.6.2 Host Interrupt Latency”. |

PS1_DATA1: PS1_DATA Data Word High Byte @ 0x27

| Bit | 7 | 6 | 5 | 4 | 3 | 2 | 1 | 0 |
|------|----------------|---|---|---|---|---|---|---|
| Name | PS1_DATA[15:8] | | | | | | | |
| Type | RW | | | | | | | |

Reset value = 0000 0000

| Bit | Name | Function |
|-----|----------------|---|
| 7:0 | PS1_DATA[15:8] | PS1 Data MSB. Once autonomous measurements have started, this register must be read after INT has asserted but before the next measurement is made. Refer to “AN498: Si114x Designer’s Guide”, section “5.6.2 Host Interrupt Latency”. |

PS2_DATA0: PS2_DATA Data Word Low Byte @ 0x28

| Bit | 7 | 6 | 5 | 4 | 3 | 2 | 1 | 0 |
|------|---------------|---|---|---|---|---|---|---|
| Name | PS2_DATA[7:0] | | | | | | | |
| Type | RW | | | | | | | |

Reset value = 0000 0000

| Bit | Name | Function |
|-----|---------------|---|
| 7:0 | PS2_DATA[7:0] | PS2 Data LSB. Once autonomous measurements have started, this register must be read after INT has asserted but before the next measurement is made. Refer to “AN498: Si114x Designer’s Guide”, section “5.6.2 Host Interrupt Latency”. |

Si1145/46/47

PS2_DATA1: PS2_DATA Data Word High Byte @ 0x29

| Bit | 7 | 6 | 5 | 4 | 3 | 2 | 1 | 0 |
|------|----------------|---|---|---|---|---|---|---|
| Name | PS2_DATA[15:8] | | | | | | | |
| Type | RW | | | | | | | |

Reset value = 0000 0000

| Bit | Name | Function |
|-----|----------------|---|
| 7:0 | PS2_DATA[15:8] | PS2 Data MSB. Once autonomous measurements have started, this register must be read after INT has asserted but before the next measurement is made. Refer to “AN498: Si114x Designer’s Guide”, section “5.6.2 Host Interrupt Latency”. |

PS3_DATA0: PS3_DATA Low Byte @ 0x2A

| Bit | 7 | 6 | 5 | 4 | 3 | 2 | 1 | 0 |
|------|---------------|---|---|---|---|---|---|---|
| Name | PS3_DATA[7:0] | | | | | | | |
| Type | RW | | | | | | | |

Reset value = 0000 0000

| Bit | Name | Function |
|-----|---------------|---|
| 7:0 | PS3_DATA[7:0] | PS3 Data LSB. Once autonomous measurements have started, this register must be read after INT has asserted but before the next measurement is made. Refer to “AN498: Si114x Designer’s Guide”, section “5.6.2 Host Interrupt Latency”. |

PS3_DATA1: PS3_DATA High Byte @ 0x2B

| Bit | 7 | 6 | 5 | 4 | 3 | 2 | 1 | 0 |
|------|----------------|---|---|---|---|---|---|---|
| Name | PS3_DATA[15:8] | | | | | | | |
| Type | RW | | | | | | | |

Reset value = 0000 0000

| Bit | Name | Function |
|-----|----------------|---|
| 7:0 | PS3_DATA[15:8] | PS3 Data MSB. Once autonomous measurements have started, this register must be read after INT has asserted but before the next measurement is made. Refer to “AN498: Si114x Designer’s Guide”, section “5.6.2 Host Interrupt Latency”. |

AUX_DATA0/UVINDEX0: AUX_DATA Data Word Low Byte @ 0x2C

| Bit | 7 | 6 | 5 | 4 | 3 | 2 | 1 | 0 |
|------|---------------|---|---|---|---|---|---|---|
| Name | AUX_DATA[7:0] | | | | | | | |
| Type | RW | | | | | | | |

Reset value = 0000 0000

| Bit | Name | Function |
|-----|---------------|---|
| 7:0 | AUX_DATA[7:0] | AUX Data LSB. Once autonomous measurements have started, this register must be read after INT has asserted but before the next measurement is made. Refer to “AN498: Si114x Designer’s Guide”, section “5.6.2 Host Interrupt Latency”. |

AUX_DATA1/UVINDEX1: AUX_DATA Data Word High Byte @ 0x2D

| Bit | 7 | 6 | 5 | 4 | 3 | 2 | 1 | 0 |
|------|----------------|---|---|---|---|---|---|---|
| Name | AUX_DATA[15:8] | | | | | | | |
| Type | RW | | | | | | | |

Reset value = 0000 0000

| Bit | Name | Function |
|-----|----------------|---|
| 7:0 | AUX_DATA[15:8] | AUX Data MSB. Once autonomous measurements have started, this register must be read after INT has asserted but before the next measurement is made. Refer to “AN498: Si114x Designer’s Guide”, section “5.6.2 Host Interrupt Latency”. |

PARAM_RD @ 0x2E

| Bit | 7 | 6 | 5 | 4 | 3 | 2 | 1 | 0 |
|------|----------|---|---|---|---|---|---|---|
| Name | PARAM_RD | | | | | | | |
| Type | RW | | | | | | | |

Reset value = 0000 0000

| Bit | Name | Function |
|-----|----------|---|
| 7:0 | PARAM_RD | Mailbox register for passing parameters from the sequencer to the host. |

Si1145/46/47

CHIP_STAT @ 0x30

| Bit | 7 | 6 | 5 | 4 | 3 | 2 | 1 | 0 |
|------|---|---|---|---|---|---------|---------|-------|
| Name | | | | | | RUNNING | SUSPEND | SLEEP |
| Type | | | | | | R | R | R |

Reset value = 0000 0000

| Bit | Name | Function |
|-----|----------|--|
| 7:3 | Reserved | Reserved |
| 2 | RUNNING | Device is awake. |
| 1 | SUSPEND | Device is in a low-power state, waiting for a measurement to complete. |
| 0 | SLEEP | Device is in its lowest power state. |

ANA_IN_KEY @ 0x3B to 0x3E

| Bit | 7 | 6 | 5 | 4 | 3 | 2 | 1 | 0 |
|------|-------------------|---|---|---|---|---|---|---|
| 0x3B | ANA_IN_KEY[31:24] | | | | | | | |
| 0x3C | ANA_IN_KEY[23:16] | | | | | | | |
| 0x3D | ANA_IN_KEY[15:8] | | | | | | | |
| 0x3E | ANA_IN_KEY[7:0] | | | | | | | |
| Type | RW | | | | | | | |

Reset value = 0000 0000

| Bit | Name | Function |
|------|------------------|------------------|
| 31:0 | ANA_IN_KEY[31:0] | Reserved. |

4.6. Parameter RAM

Parameters are located in internal memory and are not directly addressable over I²C. They must be indirectly accessed using the PARAM_QUERY and PARAM_SET commands described in "4.2. Command Protocol" on page 22.

Table 15. Parameter RAM Summary Table

| Parameter Name | Offset | Bit 7 | Bit 6 | Bit 5 | Bit 4 | Bit 3 | Bit 2 | Bit 1 | Bit 0 | |
|---------------------|-----------|---|-------------|--------------|----------------------------|----------------------------|------------------|--------|--------|--|
| I2C_ADDR | 0x00 | I ² C Address | | | | | | | | |
| CHLIST | 0x01 | EN_UV | EN_AUX | EN_ALS_IR | EN_ALS_VIS | — | EN_PS3 | EN_PS2 | EN_PS1 | |
| PSLED12_SELECT | 0x02 | — | PS2_LED | | | — | PS1_LED | | | |
| PSLED3_SELECT | 0x03 | — | | | | | PS3_LED | | | |
| Reserved | 0x04 | Reserved (always set to 0) | | | | | | | | |
| PS_ENCODING | 0x05 | — | PS3_ALIGN | PS2_ALIGN | PS1_ALIGN | Reserved (always set to 0) | | | | |
| ALS_ENCODING | 0x06 | — | | ALS_IR_ALIGN | ALS_VIS_ALIGN | Reserved (always set to 0) | | | | |
| PS1_ADCMUX | 0x07 | PS1 ADC Input Selection | | | | | | | | |
| PS2_ADCMUX | 0x08 | PS2 ADC Input Selection | | | | | | | | |
| PS3_ADCMUX | 0x09 | PS3 ADC Input Selection | | | | | | | | |
| PS_ADC_COUNTER | 0x0A | — | PS_ADC_REC | | | Reserved (always set to 0) | | | | |
| PS_ADC_GAIN | 0x0B | — | | | | | PS_ADC_GAIN | | | |
| PS_ADC_MISC | 0x0C | — | | PS_RANGE | — | | PS_ADC_MODE | — | | |
| Reserved | 0x0D | Reserved (do not modify from default setting of 0x02) | | | | | | | | |
| ALS_IR_ADCMUX | 0x0E | ALS_IR_ADCMUX | | | | | | | | |
| AUX_ADCMUX | 0x0F | AUX ADC Input Selection | | | | | | | | |
| ALS_VIS_ADC_COUNTER | 0x10 | — | VIS_ADC_REC | | | Reserved (always set to 0) | | | | |
| ALS_VIS_ADC_GAIN | 0x11 | — | | | | | ALS_VIS_ADC_GAIN | | | |
| ALS_VIS_ADC_MISC | 0x12 | Reserved (always set to 0) | | VIS_RANGE | Reserved (always set to 0) | | | | | |
| Reserved | 0x13 | Reserved (do not modify from default setting of 0x40) | | | | | | | | |
| Reserved | 0x14–0x15 | Reserved (do not modify from default setting of 0x00) | | | | | | | | |
| Reserved | 0x1B | Reserved (do not modify from default setting of 0x00) | | | | | | | | |
| LED_REC | 0x1C | LED recovery time | | | | | | | | |
| ALS_IR_ADC_COUNTER | 0x1D | — | IR_ADC_REC | | | Reserved (always set to 0) | | | | |
| ALS_IR_ADC_GAIN | 0x1E | — | | | | | ALS_IR_ADC_GAIN | | | |
| ALS_IR_ADC_MISC | 0x1F | Reserved (always set to 0) | | IR_RANGE | Reserved (always set to 0) | | | | | |

Si1145/46/47

I2C @ 0x00

| Bit | 7 | 6 | 5 | 4 | 3 | 2 | 1 | 0 |
|------|-------------------------------|---|---|---|---|---|---|---|
| Name | I ² C Address[7:0] | | | | | | | |
| Type | RW | | | | | | | |

Reset value = 0000 0000

| Bit | Name | Function |
|-----|-------------------------------|---|
| 7:0 | I ² C Address[7:0] | Specifies a new I ² C Address for the device to respond to. The new address takes effect when a BUSADDR command is received. |

CHLIST @ 0x01

| Bit | 7 | 6 | 5 | 4 | 3 | 2 | 1 | 0 |
|------|-------|--------|-----------|------------|---|--------|--------|--------|
| Name | EN_UV | EN_AUX | EN_ALS_IR | EN_ALS_VIS | | EN_PS3 | EN_PS2 | EN_PS1 |
| Type | RW | | | | | RW | | |

Reset value = 0000 0000

| Bit | Name | Function |
|--|------------|--|
| 7 | EN_UV | Enables UV Index, data stored in AUX_DATA1[7:0] and AUX_DATA0[7:0] |
| 6 | EN_AUX | Enables Auxiliary Channel, data stored in AUX_DATA1[7:0] and AUX_DATA0[7:0]. |
| 5 | EN_ALS_IR | Enables ALS IR Channel, data stored in ALS_IR_DATA1[7:0] and ALS_IR_DATA0[7:0]. |
| 4 | EN_ALS_VIS | Enables ALS Visible Channel, data stored in ALS_VIS_DATA1[7:0] and ALS_VIS_DATA0[7:0]. |
| 3 | Reserved | |
| 2 | EN_PS3 | Enables PS Channel 3, data stored in PS3_DATA1[7:0] and PS3_DATA0[7:0]. |
| 1 | EN_PS2 | Enables PS Channel 2, data stored in PS2_DATA1[7:0] and PS2_DATA0[7:0]. |
| 0 | EN_PS1 | Enables PS Channel 1, data stored in PS1_DATA1[7:0] and PS1_DATA0[7:0]. |
| Note: For proper operation, CHLIST must be written with a non-zero value before forced measurements or autonomous operation is requested. | | |

Si1145/46/47

PSLED12_SELECT @ 0x02

| Bit | 7 | 6 | 5 | 4 | 3 | 2 | 1 | 0 |
|------|---|--------------|---|---|---|--------------|---|---|
| Name | | PS2_LED[2:0] | | | | PS1_LED[2:0] | | |
| Type | | RW | | | | RW | | |

Reset value = 0010 0001

| Bit | Name | Function |
|-----|--------------|---|
| 7 | Reserved | |
| 6:4 | PS2_LED[2:0] | Specifies the LED pin driven during the PS2 Measurement. Note that any combination of irLEDs is possible. 000: NO LED DRIVE xx1: LED1 Drive Enabled x1x: LED2 Drive Enabled (Si1146 and Si1147 only. Clear for Si1145) 1xx: LED3 Drive Enabled (Si1147 only. Clear for Si1145 and Si1146) |
| 3 | Reserved | |
| 2:0 | PS1_LED[2:0] | Specifies the LED pin driven during the PS1 Measurement. Note that any combination of irLEDs is possible. 000: NO LED DRIVE xx1: LED1 Drive Enabled x1x: LED2 Drive Enabled (Si1146 and Si1147 only. Clear for Si1145) 1xx: LED3 Drive Enabled (Si1147 only. Clear for Si1145 and Si1146) |

PSLED3_SELECT @ 0x03

| Bit | 7 | 6 | 5 | 4 | 3 | 2 | 1 | 0 |
|-------------|----|---|---|---|---|--------------|---|---|
| Name | | | | | | PS3_LED[2:0] | | |
| Type | RW | | | | | | | |

Reset value = 0000 0100

| Bit | Name | Function |
|-----|--------------|---|
| 7:3 | Reserved | |
| 2:0 | PS3_LED[2:0] | Specifies the LED pin driven during the PS3 Measurement. Note that any combination of irLEDs is possible. 000: No LED drive. xx1: LED1 drive enabled. x1x: LED2 drive enabled (Si1146 and Si1147 only. Clear for Si1145). 1xx: LED3 drive enabled (Si1147 only. Clear for Si1145 and Si1146). |

PS_ENCODING @ 0x05

| Bit | 7 | 6 | 5 | 4 | 3 | 2 | 1 | 0 |
|-------------|---|-----------|-----------|-----------|---|---|---|---|
| Name | | PS3_ALIGN | PS2_ALIGN | PS1_ALIGN | | | | |
| Type | | RW | R/W | R/W | | | | |

Reset value = 0000 0000

| Bit | Name | Function |
|-----|-----------|--|
| 7 | Reserved | |
| 6 | PS3_ALIGN | When set, the ADC reports the least significant 16 bits of the 17-bit ADC when performing PS3 Measurement. Reports the 16 MSBs when cleared. |
| 5 | PS2_ALIGN | When set, the ADC reports the least significant 16 bits of the 17-bit ADC when performing PS2 Measurement. Reports the 16 MSBs when cleared. |
| 4 | PS1_ALIGN | When set, the ADC reports the least significant 16 bits of the 17-bit ADC when performing PS1 Measurement. Reports the 16 MSBs when cleared. |
| 3:0 | Reserved | Always set to 0. |

Si1145/46/47

ALS_ENCODING @ 0x06

| Bit | 7 | 6 | 5 | 4 | 3 | 2 | 1 | 0 |
|------|---|---|--------------|---------------|---|---|---|---|
| Name | | | ALS_IR_ALIGN | ALS_VIS_ALIGN | | | | |
| Type | | | RW | RW | | | | |

Reset value = 0000 0000

| Bit | Name | Function |
|-----|---------------|--|
| 7:6 | Reserved | |
| 5 | ALS_IR_ALIGN | When set, the ADC reports the least significant 16 bits of the 17-bit ADC when performing ALS VIS Measurement. Reports the 16 MSBs when cleared. |
| 4 | ALS_VIS_ALIGN | When set, the ADC reports the least significant 16 bits of the 17-bit ADC when performing ALS IR Measurement. Reports the 16 MSBs when cleared. |
| 3:0 | Reserved | Always set to 0. |

PS1_ADCMUX @ 0x07

| Bit | 7 | 6 | 5 | 4 | 3 | 2 | 1 | 0 |
|------|-----------------|---|---|---|---|---|---|---|
| Name | PS1_ADCMUX[7:0] | | | | | | | |
| Type | RW | | | | | | | |

Reset value = 0000 0011

| Bit | Name | Function |
|-----|-----------------|--|
| 7:0 | PS1_ADCMUX[7:0] | <p>Selects ADC Input for PS1 Measurement.</p> <p>The following selections are valid when PS_ADC_MODE = 1 (default). This setting is for normal Proximity Detection function.</p> <p>0x03: Large IR Photodiode 0x00: Small IR Photodiode</p> <p>In addition, the following selections are valid for PS_ADC_MODE = 0. With this setting, irLED drives are disabled and the PS channels are no longer operating in normal Proximity Detection function. The results have no reference and the references needs to be measured in a separate measurement.</p> <p>0x02: Visible Photodiode A separate 'No Photodiode' measurement should be subtracted from this reading. Note that the result is a negative value. The result should therefore be negated to arrive at the Ambient Visible Light reading.</p> <p>0x03: Large IR Photodiode A separate "No Photodiode" measurement should be subtracted to arrive at Ambient IR reading.</p> <p>0x00: Small IR Photodiode A separate "No Photodiode" measurement should be subtracted to arrive at Ambient IR reading.</p> <p>0x06: No Photodiode This is typically used as reference for reading ambient IR or visible light.</p> <p>0x25: GND voltage This is typically used as the reference for electrical measurements.</p> <p>0x65: Temperature (Should be used only for relative temperature measurement. Absolute Temperature not guaranteed) A separate GND measurement should be subtracted from this reading.</p> <p>0x75: V_{DD} voltage A separate GND measurement is needed to make the measurement meaningful.</p> |

Si1145/46/47

PS2_ADCMUX @ 0x08

| Bit | 7 | 6 | 5 | 4 | 3 | 2 | 1 | 0 |
|------|-----------------|---|---|---|---|---|---|---|
| Name | PS2_ADCMUX[7:0] | | | | | | | |
| Type | R/W | | | | | | | |

Reset value = 0000 0011

| Bit | Name | Function |
|-----|-----------------|---|
| 7:0 | PS2_ADCMUX[7:0] | Selects input for PS2 measurement. See PS1_ADCMUX register description for details. |

PS3_ADCMUX @ 0x09

| Bit | 7 | 6 | 5 | 4 | 3 | 2 | 1 | 0 |
|------|-----------------|---|---|---|---|---|---|---|
| Name | PS3_ADCMUX[7:0] | | | | | | | |
| Type | R/W | | | | | | | |

Reset value = 0000 0011

| Bit | Name | Function |
|-----|-----------------|---|
| 7:0 | PS3_ADCMUX[7:0] | Selects input for PS3 measurement. See PS1_ADCMUX register description for details. |

PS_ADC_COUNTER @ 0x0A

| Bit | 7 | 6 | 5 | 4 | 3 | 2 | 1 | 0 |
|------|---|-----------------|-----|-----|---|---|---|---|
| Name | | PS_ADC_REC[2:0] | | | | | | |
| Type | | RW | R/W | R/W | | | | |

Reset value = 0111 0000

| Bit | Name | Function |
|-----|-----------------|---|
| 7 | Reserved | |
| 6:4 | PS_ADC_REC[2:0] | Recovery period the ADC takes before making a PS measurement. 000: 1 ADC Clock (50 ns times $2^{\text{PS_ADC_GAIN}}$) 001: 7 ADC Clock (350 ns times $2^{\text{PS_ADC_GAIN}}$) 010: 15 ADC Clock (750 ns times $2^{\text{PS_ADC_GAIN}}$) 011: 31 ADC Clock (1.55 μs times $2^{\text{PS_ADC_GAIN}}$) 100: 63 ADC Clock (3.15 μs times $2^{\text{PS_ADC_GAIN}}$) 101: 127 ADC Clock (6.35 μs times $2^{\text{PS_ADC_GAIN}}$) 110: 255 ADC Clock (12.75 μs times $2^{\text{PS_ADC_GAIN}}$) 111: 511 ADC Clock (25.55 μs times $2^{\text{PS_ADC_GAIN}}$) The recommended PS_ADC_REC value is the one's complement of PS_ADC_GAIN. |
| 3:0 | Reserved | Always set to 0. |

Si1145/46/47

PS_ADC_GAIN @ 0x0B

| Bit | 7 | 6 | 5 | 4 | 3 | 2 | 1 | 0 |
|------|---|---|---|---|---|------------------|-----|-----|
| Name | | | | | | PS_ADC_GAIN[2:0] | | |
| Type | | | | | | R/W | R/W | R/W |

Reset value = 0000 0000

| Bit | Name | Function |
|-----|------------------|---|
| 7:3 | Reserved | |
| 2:0 | PS_ADC_GAIN[2:0] | Increases the irLED pulse width and ADC integration time by a factor of $(2 ^ PS_ADC_GAIN)$ for all PS measurements. Care must be taken when using this feature. At an extreme case, each of the three PS measurements can be configured to drive three separate irLEDs, each of which, are configured for 359 mA. The internal sequencer does not protect the device from such an error. To prevent permanent damage to the device, do not enter any value greater than 5 without consulting with Silicon Labs. For Example: 0x0: ADC Clock is divided by 1 0x4: ADC Clock is divided by 16 0x5: ADC Clock is divided by 32 |

PS_ADC_MISC @ 0x0C

| Bit | 7 | 6 | 5 | 4 | 3 | 2 | 1 | 0 |
|------|----|---|----------|---|----|-------------|---|---|
| Name | | | PS_RANGE | | | PS_ADC_MODE | | |
| Type | RW | | | | RW | | | |

Reset value = 0000 0100

| Bit | Name | Function |
|-----|-------------|--|
| 7:6 | Reserved | |
| 5 | PS_RANGE | When performing PS measurements, the ADC can be programmed to operate in high sensitivity operation or high signal range. The high signal range is useful in operation under direct sunlight. 0: Normal Signal Range 1: High Signal Range (Gain divided by 14.5) |
| 4:3 | Reserved | |
| 2 | PS_ADC_MODE | PS Channels can either operate normally as PS channels, or it can be used to perform raw ADC measurements: 0: Raw ADC Measurement Mode 1: Normal Proximity Measurement Mode |
| 1:0 | Reserved | |

ALS_IR_ADCMUX @ 0x0E

| Bit | 7 | 6 | 5 | 4 | 3 | 2 | 1 | 0 |
|------|---------------|---|---|---|---|---|---|---|
| Name | ALS_IR_ADCMUX | | | | | | | |
| Type | RW | | | | | | | |

Reset value = 0000 0000

| Bit | Name | Function |
|-----|---------------|--|
| 7:0 | ALS_IR_ADCMUX | Selects ADC Input for ALS_IR Measurement. 0x00: Small IR photodiode 0x03: Large IR photodiode |

Si1145/46/47

AUX_ADCMUX @ 0x0F

| Bit | 7 | 6 | 5 | 4 | 3 | 2 | 1 | 0 |
|------|-----------------|---|---|---|---|---|---|---|
| Name | AUX_ADCMUX[7:0] | | | | | | | |
| Type | RW | | | | | | | |

Reset value = 0110 0101

| Bit | Name | Function |
|-----|-----------------|--|
| 7:0 | AUX_ADCMUX[7:0] | Selects input for AUX Measurement. These measurements are referenced to GND. 0x65: Temperature (Should be used only for relative temperature measurement. Absolute Temperature not guaranteed) 0x75: V _{DD} voltage |

ALS_VIS_ADC_COUNTER @ 0x10

| Bit | 7 | 6 | 5 | 4 | 3 | 2 | 1 | 0 |
|------|---|------------------|-----|-----|---|---|---|---|
| Name | | VIS_ADC_REC[2:0] | | | | | | |
| Type | | RW | R/W | R/W | | | | |

Reset value = 0111 0000

| Bit | Name | Function |
|-----|------------------|--|
| 7 | Reserved | |
| 6:4 | VIS_ADC_REC[2:0] | Recovery period the ADC takes before making a ALS-VIS measurement. 000: 1 ADC Clock (50 ns times $2^{\text{ALS_VIS_ADC_GAIN}}$) 001: 7 ADC Clock (350 ns times $2^{\text{ALS_VIS_ADC_GAIN}}$) 010: 15 ADC Clock (750 ns times $2^{\text{ALS_VIS_ADC_GAIN}}$) 011: 31 ADC Clock (1.55 μ s times $2^{\text{ALS_VIS_ADC_GAIN}}$) 100: 63 ADC Clock (3.15 μ s times $2^{\text{ALS_VIS_ADC_GAIN}}$) 101: 127 ADC Clock (6.35 μ s times $2^{\text{ALS_VIS_ADC_GAIN}}$) 110: 255 ADC Clock (12.75 μ s times $2^{\text{ALS_VIS_ADC_GAIN}}$) 111: 511 ADC Clock (25.55 μ s times $2^{\text{ALS_VIS_ADC_GAIN}}$) The recommended VIS_ADC_REC value is the one's complement of ALS_VIS_ADC_GAIN. |
| 3:0 | Reserved | Always set to 0. |

ALS_VIS_ADC_GAIN @ 0x11

| Bit | 7 | 6 | 5 | 4 | 3 | 2 | 1 | 0 |
|------|---|---|---|---|---|-----------------------|-----|----|
| Name | | | | | | ALS_VIS_ADC_GAIN[2:0] | | |
| Type | | | | | | RW | R/W | RW |

Reset value = 0000 0000

| Bit | Name | Function |
|-----|-----------------------|--|
| 7:3 | Reserved | |
| 2:0 | ALS_VIS_ADC_GAIN[2:0] | Increases the ADC integration time for ALS Visible measurements by a factor of $(2^{\text{ALS_VIS_ADC_GAIN}})$. This allows visible light measurement under dark glass. The maximum gain is 128 (0x7). For Example: 0x0: ADC Clock is divided by 1 0x4: ADC Clock is divided by 16 0x6: ADC Clock is divided by 64 |

ALS_VIS_ADC_MISC @ 0x12

| Bit | 7 | 6 | 5 | 4 | 3 | 2 | 1 | 0 |
|------|---|---|-----------|---|---|---|---|---|
| Name | | | VIS_RANGE | | | | | |
| Type | | | RW | | | | | |

Reset value = 0000 0000

| Bit | Name | Function |
|-----|-----------|--|
| 7:6 | Reserved | |
| 5 | VIS_RANGE | When performing ALS-VIS measurements, the ADC can be programmed to operate in high sensitivity operation or high signal range. The high signal range is useful in operation under direct sunlight. 0: Normal Signal Range 1: High Signal Range (Gain divided by 14.5) |
| 4:0 | Reserved | |

Si1145/46/47

LED_REC @ 0x1C

| Bit | 7 | 6 | 5 | 4 | 3 | 2 | 1 | 0 |
|------|--------------|---|---|---|---|---|---|---|
| Name | LED_REC[7:0] | | | | | | | |
| Type | RW | | | | | | | |

| Bit | Name | Function |
|-----|--------------|-----------|
| 7:0 | LED_REC[7:0] | Reserved. |

ALS_IR_ADC_COUNTER @ 0x1D

| Bit | 7 | 6 | 5 | 4 | 3 | 2 | 1 | 0 |
|------|----|-----------------|---|---|---|---|---|---|
| Name | | IR_ADC_REC[2:0] | | | | | | |
| Type | RW | | | | | | | |

Reset value = 0111 0000

| Bit | Name | Function |
|-----|-----------------|---|
| 7 | Reserved | |
| 6:4 | IR_ADC_REC[2:0] | <p>Recovery period the ADC takes before making a ALS-IR measurement.</p> <p>000: 1 ADC Clock (50 ns times $2^{\text{ALS_IR_ADC_GAIN}}$)</p> <p>001: 7 ADC Clock (350 ns times $2^{\text{ALS_IR_ADC_GAIN}}$)</p> <p>010: 15 ADC Clock (750 ns times $2^{\text{ALS_IR_ADC_GAIN}}$)</p> <p>011: 31 ADC Clock (1.55 μs times $2^{\text{ALS_IR_ADC_GAIN}}$)</p> <p>100: 63 ADC Clock (3.15 μs times $2^{\text{ALS_IR_ADC_GAIN}}$)</p> <p>101: 127 ADC Clock (6.35 μs times $2^{\text{ALS_IR_ADC_GAIN}}$)</p> <p>110: 255 ADC Clock (12.75 μs times $2^{\text{ALS_IR_ADC_GAIN}}$)</p> <p>111: 511 ADC Clock (25.55 μs times $2^{\text{ALS_IR_ADC_GAIN}}$)</p> <p>The recommended IR_ADC_REC value is the one's complement of ALS_IR_ADC_GAIN.</p> |
| 3:0 | Reserved | Always set to 0. |

ALS_IR_ADC_GAIN @ 0x1E

| Bit | 7 | 6 | 5 | 4 | 3 | 2 | 1 | 0 |
|------|---|---|---|---|---|----------------------|-----|-----|
| Name | | | | | | ALS_IR_ADC_GAIN[2:0] | | |
| Type | | | | | | R/W | R/W | R/W |

Reset value = 0000 0000

| Bit | Name | Function |
|-----|----------------------|--|
| 7:3 | Reserved | |
| 2:0 | ALS_IR_ADC_GAIN[2:0] | Increases the ADC integration time for IR Ambient measurements by a factor of $(2 ^{ALS_IR_ADC_GAIN})$. The maximum gain is 128 (0x7). For Example: 0x0: ADC Clock is divided by 1 0x4: ADC Clock is divided by 16 0x6: ADC Clock is divided by 64 |

ALS_IR_ADC_MISC @ 0x1F

| Bit | 7 | 6 | 5 | 4 | 3 | 2 | 1 | 0 |
|------|---|---|----------|---|---|---|---|---|
| Name | | | IR_RANGE | | | | | |
| Type | | | RW | | | | | |

Reset value = 0000 0000

| Bit | Name | Function |
|-----|----------|---|
| 7:6 | Reserved | |
| 5 | IR_RANGE | When performing ALS-IR measurements, the ADC can be programmed to operate in high sensitivity operation or high signal range. The high signal range is useful in operation under direct sunlight. 0: Normal Signal Range 1: High Signal Range (Gain divided by 14.5) |
| 4:0 | Reserved | Write operations to this RAM parameter must preserve this bit-field value using read-modify-write. |

5. Pin Descriptions

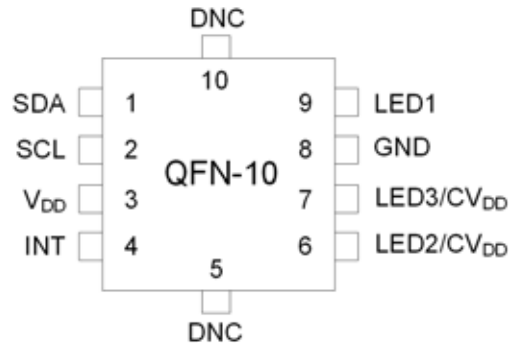


Table 16. Pin Descriptions

| Pin | Name | Type | Description |
|-----|------------------------------------|---------------|--|
| 1 | SDA | Bidirectional | I ² C Data. |
| 2 | SCL | Input | I ² C Clock. |
| 3 | V _{DD} | Power | Power Supply. Voltage source. |
| 4 | INT | Bidirectional | Interrupt Output. Open-drain interrupt output pin. Must be at logic level high during power-up sequence to enable low power operation. |
| 5 | DNC | | Do Not Connect. This pin is electrically connected to an internal Si1145/46/47 node. It should remain unconnected. |
| 6 | LED2/CV _{DD} ¹ | Output | LED2 Output/Connect to V _{DD} . ¹ Programmable constant current sink normally connected to an infrared LED cathode. Connect directly to V _{DD} when not in use. |
| 7 | LED3/CV _{DD} ² | Output | LED3 Output/Connect to V _{DD} . ² Programmable constant current sink normally connected to an infrared LED cathode. If V _{LED} < (V _{DD} + 0.5 V), a 47 kΩ pull-up resistor from LED3 to V _{DD} is needed for proper operation. Connect directly to V _{DD} when not in use. |
| 8 | GND | Power | Ground. Reference voltage. |
| 9 | LED1 | Output | LED1 Output. Programmable constant current sink normally connected to an infrared LED cathode. |
| 10 | DNC | | Do Not Connect. This pin is electrically connected to an internal Si1145/46/47 node. It should remain unconnected. |

Notes:

- Si1146 and Si1147 only. Connect to V_{DD} in Si1145.
- Si1147 only. Connect to V_{DD} in Si1145 and Si1146.

6. Ordering Guide

| Part Number | Package | LED Drivers |
|----------------------------|---------|-------------|
| Si1145-A10-GMR* | QFN-10 | 1 |
| Si1146-A10-GMR* | QFN-10 | 2 |
| Si1147-A10-GMR* | QFN-10 | 3 |
| *Note: End of life. | | |

7. Package Outline: 10-Pin QFN

Figure 19 illustrates the package details for the Si1145/46/47 QFN package. Table 17 lists the values for the dimensions shown in the illustration.

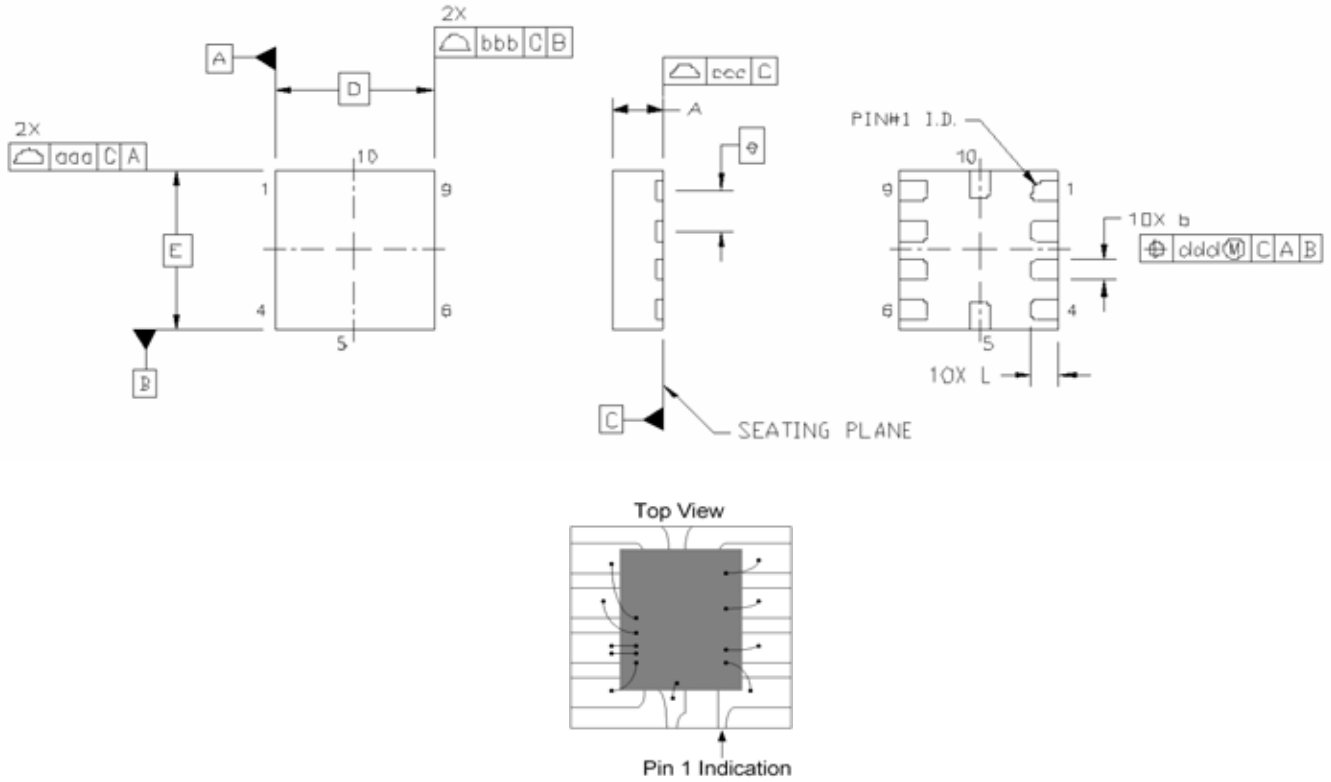


Figure 19. QFN Package Diagram Dimensions

Table 17. Package Diagram Dimensions

| Dimension | Min | Nom | Max |
|---|-----------|------|------|
| A | 0.55 | 0.65 | 0.75 |
| b | 0.20 | 0.25 | 0.30 |
| D | 2.00 BSC. | | |
| e | 0.50 BSC. | | |
| E | 2.00 BSC. | | |
| L | 0.30 | 0.35 | 0.40 |
| aaa | 0.10 | | |
| bbb | 0.10 | | |
| ccc | 0.08 | | |
| ddd | 0.10 | | |
| Notes: | | | |
| 1. All dimensions shown are in millimeters (mm). | | | |
| 2. Dimensioning and Tolerancing per ANSI Y14.5M-1994. | | | |

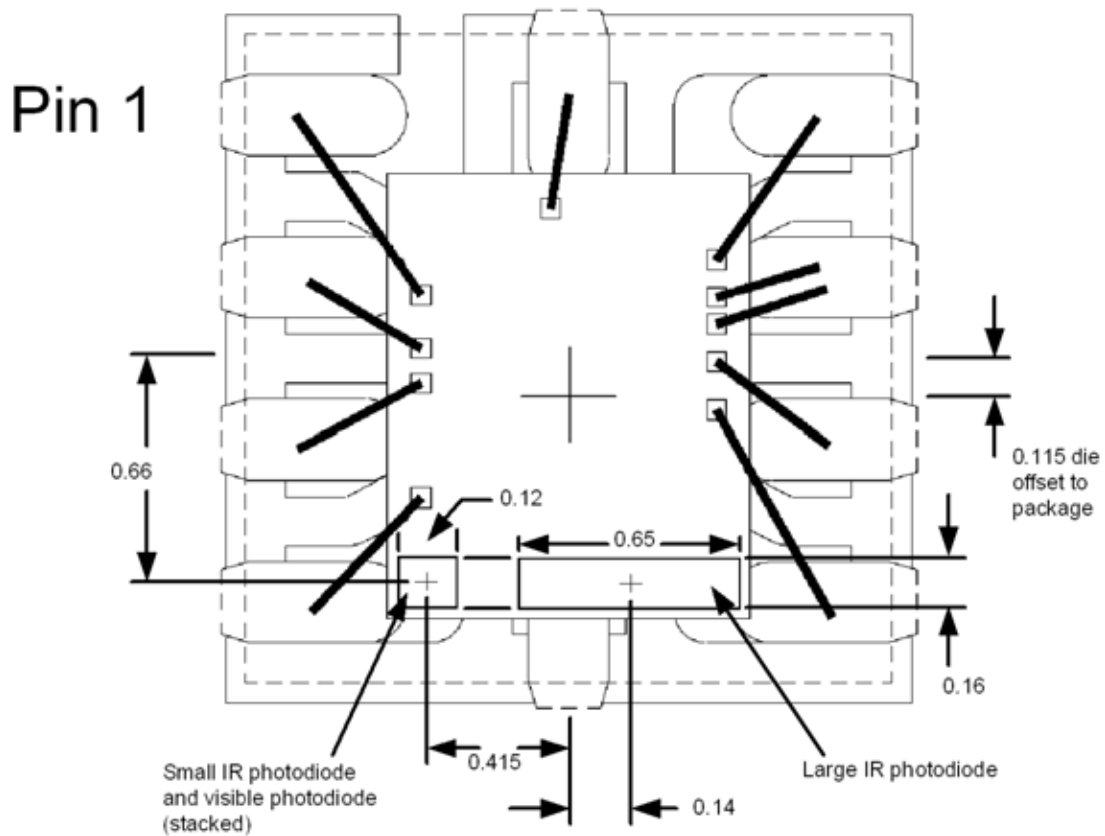


Figure 20. Photodiode Centers

8. Suggested PCB Land Pattern

Figure 21 illustrates the PCB land pattern details for the Si1145/46/47. Table 18 lists the values for the dimensions shown in the illustration.

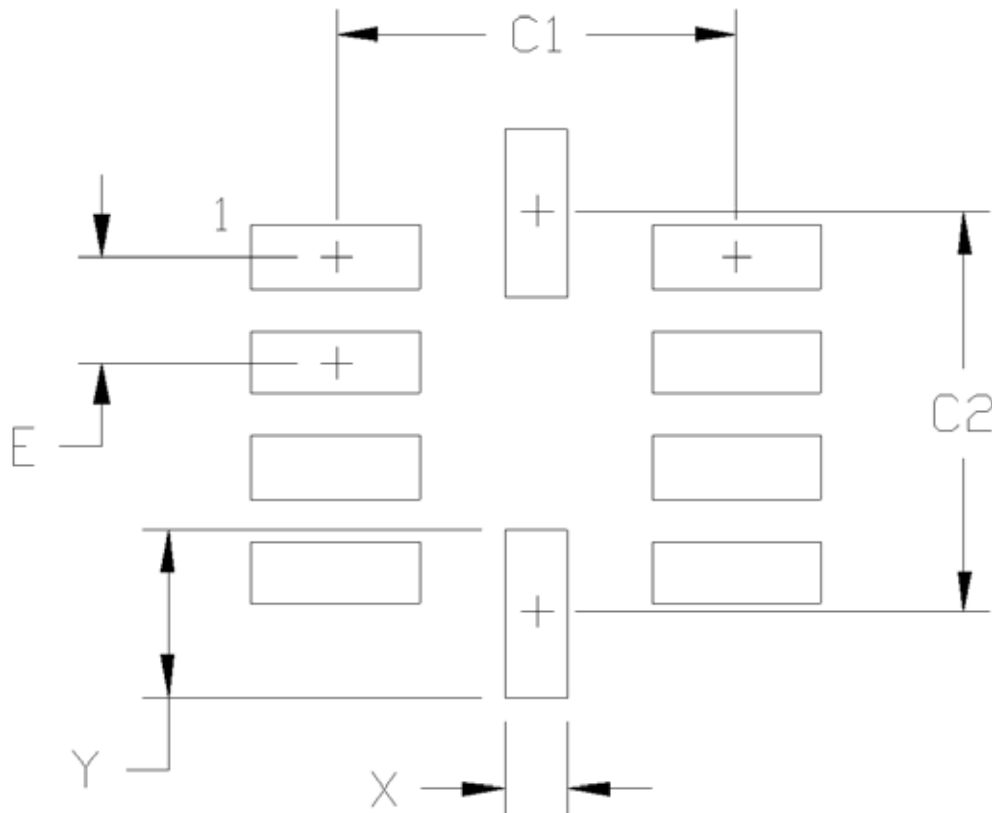


Figure 21. PCB Land Pattern

Table 18. PCB Land Pattern Dimensions

| Dimension | mm |
|-----------|------|
| C1 | 1.90 |
| C2 | 1.90 |
| E | 0.50 |
| X | 0.30 |
| Y | 0.80 |

Notes:

General

1. All dimensions shown are in millimeters (mm).
2. This Land Pattern Design is based on the IPC-7351 guidelines.
3. All dimensions shown are at Maximum Material Condition (MMC). Least Material Condition (LMC) is calculated based on a Fabrication Allowance of 0.05 mm.

Solder Mask Design

4. All metal pads are to be non-solder mask defined (NSMD). Clearance between the solder mask and the metal pad is to be 60 mm minimum, all the way around the pad.

Stencil Design

5. A stainless steel, laser-cut and electro-polished stencil with trapezoidal walls should be used to assure good solder paste release.
6. The stencil thickness should be 0.125 mm (5 mils).
7. The ratio of stencil aperture to land pad size should be 1:1 for all pads.

Card Assembly

8. A No-Clean, Type-3 solder paste is recommended.
9. The recommended card reflow profile is per the JEDEC/IPC J-STD-020D specification for Small Body Components.

DOCUMENT CHANGE LIST

Revision 0.1 to Revision 1.0

- Updated UV functional description in "2.4. Ultraviolet (UV) Index" on page 15.
- I²C slave address changed from 0x5A to 0x60 in "2.5. Host Interface" on page 17.
- Added calibration command in "4.2. Command Protocol" on page 22.
- Added order numbers in "6. Ordering Guide" on page 61.

Revision 1.0 to Revision 1.1

- Removed threshold settings.

Revision 1.1 to Revision 1.2

- Updated recommended UV coefficients.
- Updated photodiode spectral response.

Revision 1.2 to Revision 1.3

- Clarified how to enable UV reading.
- Clarified usage of Command Register and Parameter RAM.
- Clarified LED2 and LED3 connection when using Si1145 and Si1146.

Revision 1.3 to Revision 1.4

- Added EOL note for Si1145/46 in the Ordering Guide (200331751 End of Life Si1141 GDI Wafer Sales Si1132 Devices and Select Si114x Devices).

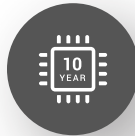
Revision 1.4 to Revision 1.41

- Updated "6. Ordering Guide" on page 61.

Smart. Connected. Energy-Friendly.



IoT Portfolio
www.silabs.com/products



Quality
www.silabs.com/quality



Support & Community
www.silabs.com/community

Disclaimer

Silicon Labs intends to provide customers with the latest, accurate, and in-depth documentation of all peripherals and modules available for system and software implementers using or intending to use the Silicon Labs products. Characterization data, available modules and peripherals, memory sizes and memory addresses refer to each specific device, and “Typical” parameters provided can and do vary in different applications. Application examples described herein are for illustrative purposes only. Silicon Labs reserves the right to make changes without further notice to the product information, specifications, and descriptions herein, and does not give warranties as to the accuracy or completeness of the included information. Without prior notification, Silicon Labs may update product firmware during the manufacturing process for security or reliability reasons. Such changes will not alter the specifications or the performance of the product. Silicon Labs shall have no liability for the consequences of use of the information supplied in this document. This document does not imply or expressly grant any license to design or fabricate any integrated circuits. The products are not designed or authorized to be used within any FDA Class III devices, applications for which FDA premarket approval is required or Life Support Systems without the specific written consent of Silicon Labs. A “Life Support System” is any product or system intended to support or sustain life and/or health, which, if it fails, can be reasonably expected to result in significant personal injury or death. Silicon Labs products are not designed or authorized for military applications. Silicon Labs products shall under no circumstances be used in weapons of mass destruction including (but not limited to) nuclear, biological or chemical weapons, or missiles capable of delivering such weapons. Silicon Labs disclaims all express and implied warranties and shall not be responsible or liable for any injuries or damages related to use of a Silicon Labs product in such unauthorized applications.

Note: This content may contain offensive terminology that is now obsolete. Silicon Labs is replacing these terms with inclusive language wherever possible. For more information, visit www.silabs.com/about-us/inclusive-lexicon-project

Trademark Information

Silicon Laboratories Inc.[®], Silicon Laboratories[®], Silicon Labs[®], SiLabs[®] and the Silicon Labs logo[®], Bluegiga[®], Bluegiga Logo[®], EFM[®], EFM32[®], EFR, Ember[®], Energy Micro, Energy Micro logo and combinations thereof, “the world’s most energy friendly microcontrollers”, Redpine Signals[®], WiSeConnect[®], n-Link, ThreadArch[®], EZLink[®], EZRadio[®], EZRadioPRO[®], Gecko[®], Gecko OS, Gecko OS Studio, Precision32[®], Simplicity Studio[®], Telegesis, the Telegesis Logo[®], USBXpress[®], Zentri, the Zentri logo and Zentri DMS, Z-Wave[®], and others are trademarks or registered trademarks of Silicon Labs. ARM, CORTEX, Cortex-M3 and THUMB are trademarks or registered trademarks of ARM Holdings. Keil is a registered trademark of ARM Limited. Wi-Fi is a registered trademark of the Wi-Fi Alliance. All other products or brand names mentioned herein are trademarks of their respective holders.



Silicon Laboratories Inc.
400 West Cesar Chavez
Austin, TX 78701
USA

www.silabs.com

Looking for pricing, stock, or lifecycle information?

Click below to explore more details on WIN SOURCE:

 [View SI1147-A10-GMR](#) on WIN SOURCE

 [Silicon Labs](#) Information

Optimize Your Supply Chain with WIN SOURCE Solutions

-  Global Sourcing Solution
-  Obsolete Management
-  Cost Control Management
-  Shortage Management
-  Alternative Solution
-  Excess Inventory Management