

WINSOURCE
ELECTRONICS
THE DATASHEET OF
SMP-MSSB-PCR

www.win-source.net



0086-755-83957316

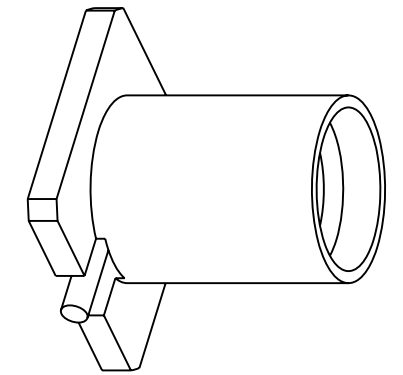
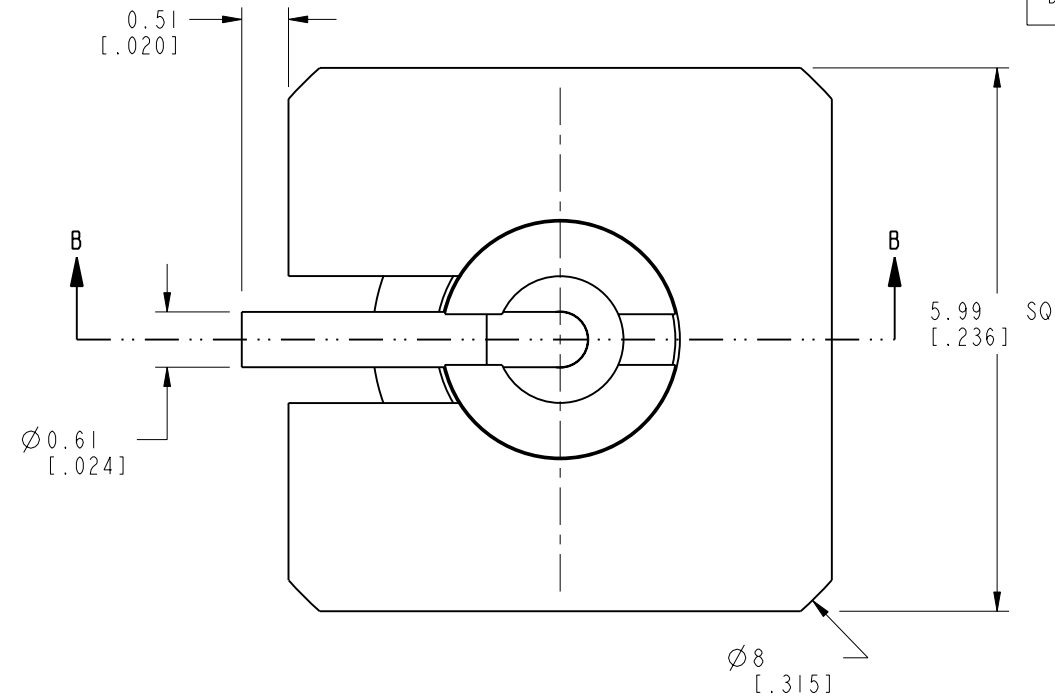
NOTES:

1. MATERIALS AND FINISHES:
 - BODY - BRASS, GOLD PLATING, .000030 INCH [0.0008 MM] THICK OVER COPPER
 - CONTACT - BERYLLIUM COPPER, GOLD PLATING, .000030 INCH [0.0008 MM] THICK OVER COPPER
 - INSULATOR - PEEK OR LCP, NATURAL
2. ELECTRICAL:
 - A. IMPEDANCE: 50 OHM
 - B. FREQUENCY RANGE: DC - 12 GHz
 - C. VSWR(RETURN LOSS): 1.10 (26 dB), MAX. DC-6GHz
1.20 (21 dB), MAX. 6-12GHz
 - D. DIELECTRIC WITHSTANDING VOLTAGE: 500 VRMS, MIN.
3. PHYSICAL:
 - A. DURABILITY: 1000 CYCLES MIN.
 - B. ENGAGEMENT FORCE: 2 LB [9 N] MAX
 - C. DISENGAGEMENT FORCE: 0.5 LB [2 N] MIN
 - D. INNER CONTACT RETENTION FORCE: 1.5 LB [7 N] MIN
 - E. TEMPERATURE RANGE: -65° C TO 165° C
 - F. INSULATOR MATERIAL RATED TO UL94 V-0
4. PACKAGING:
 - A. TRAY PACK
 - B. MARKING: AMPHENOL, SMP-MSSB-PCR, DATE CODE

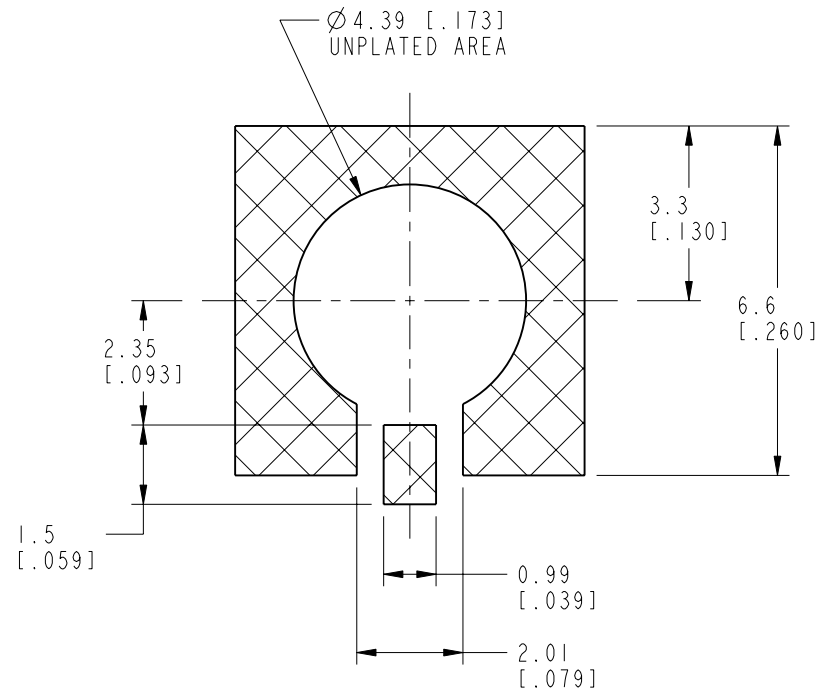
THIRD ANGLE PROJ.

REVISIONS

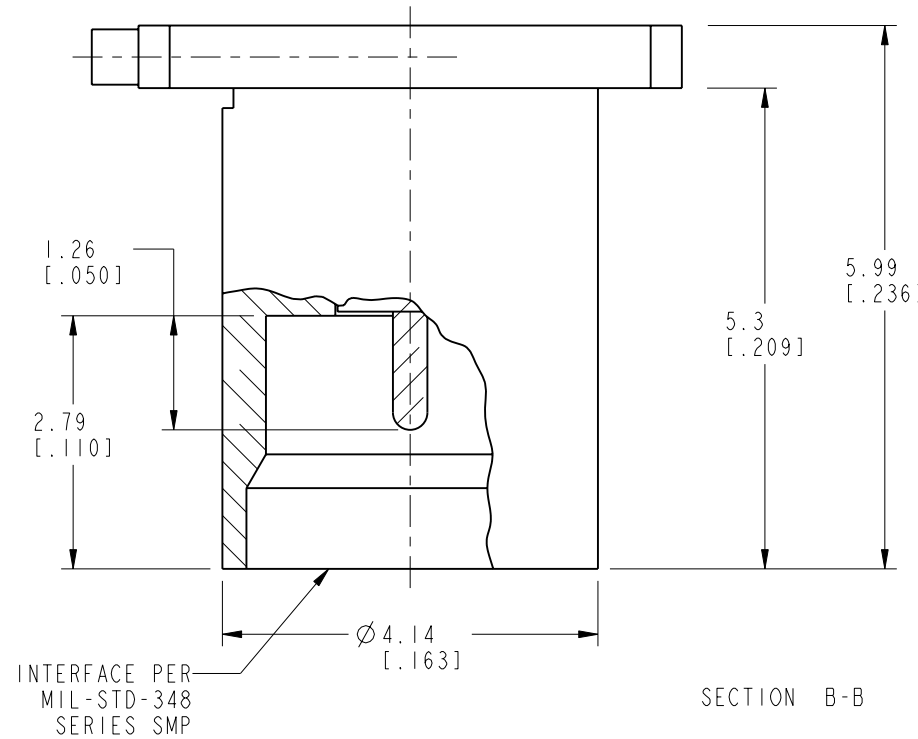
| REV | DESCRIPTION | DATE | ECO | APPR |
|-----|--|-----------|-------|------|
| A | RELEASE TO MFG | 9/12/05 | 45722 | MY |
| C | ADDED UL RATING FOR INSULATOR MATERIAL | 28-Jul-11 | 48667 | SH |
| D | OPTIMIZED INSULATOR RETENTION, TRAY PACK WAS SINGLE PACK/RD-DMIT051701K2 | 22-May-17 | 03722 | SS |



SCALE 6.000



RECOMMENDED PCB PAD LAYOUT
SCALE 7.000



SECTION B-B

CUSTOMER OUTLINE DRAWING
ALL OTHER SHEETS ARE FOR INTERNAL USE ONLY

UNLESS OTHERWISE SPECIFIED, DIMENSIONS ARE IN METRIC AND TOLERANCES ARE:
 <0.5mm ±0.05mm 0.5 - 6mm ±0.1mm 6 - 30mm ±0.2mm 30 - 120mm ±0.3mm ANGLES ±1°

NOTICE - These drawings, specifications, or other data (1) are, and remain the property of Amphenol corp. (2) must be returned upon request; and (3) are confidential and not to be disclosed to any person other than those to whom they are given by Amphenol Corp. the furnishing of these drawings, specifications, or other data by Amphenol Corp., or to any other person to anyone for any purpose is not to be regarded by implication or otherwise in any manner licensing, granting rights to permitting such holder or any other person to manufacture, use or sell any product, process or design, patented or otherwise, that may in any way be related to or disclosed by said drawings, specifications, or other data.

| | | |
|---|-----------------------------|-------------------|
| MATERIAL | DRAWN K. SONG | DATE 22-May-17 |
| REFERENCE GEN# ASSYM2-SMP EAR# 283 615X-1690-100 CONFIGURATION LEVEL: | ENGINEER OWEN BARTHELMES | DATE 25-Apr-01 |
| FINISH | APPROVED S. HSIEH | DATE 22-May-17 |
| | CAD FILE | |

| | | |
|---|-----------------|--------------|
| TITLE ASSEMBLY, PC BOARD, REAR MOUNT SMOOTH BORE | SCALE: 12.0:1.0 | SHEET 2 OF 2 |
| DWG SIZE B | REV D | |

| | |
|--------------------------|--|
| DRAWING NO. SMP-MSSB-PCR | |
| ITEM NO. SMP-MSSB-PCR | |
| PART NO. SMP-MSSB-PCR | |

| | |
|--------------------------|--|
| Amphenol RF | |
| www.amphenolrf.com | |
| DRAWING NO. SMP-MSSB-PCR | |
| ITEM NO. SMP-MSSB-PCR | |
| PART NO. SMP-MSSB-PCR | |

Looking for pricing, stock, or lifecycle information?

Click below to explore more details on WIN SOURCE:

[View SMP-MSSB-PCR on WIN SOURCE](#)

[Amphenol-RF Division Information](#)

Optimize Your Supply Chain with WIN SOURCE Solutions

- ✓ Global Sourcing Solution
- ✓ Obsolete Management
- ✓ Cost Control Management
- ✓ Shortage Management
- ✓ Alternative Solution
- ✓ Excess Inventory Management