



**THE DATASHEET OF  
BLF7G10LS-250,118**



# BLF7G10L-250; BLF7G10LS-250

Power LDMOS transistor

Rev. 6 — 7 November 2016

AMPLEON

Product data sheet

## 1. Product profile

### 1.1 General description

250 W LDMOS power transistor for base station applications at frequencies from 869 MHz to 960 MHz.

**Table 1. Typical performance**

Test signal: 3GPP; test model 1; 64 DPCH; PAR = 7.5 dB at 0.01 % probability on CCDF per carrier; carrier spacing = 5 MHz. Typical RF performance at  $T_{case} = 25\text{ }^{\circ}\text{C}$ .

Test signal	f (MHz)	$I_{Dq}$ (mA)	$V_{DS}$ (V)	$P_{L(AV)}$ (W)	$G_p$ (dB)	$\eta_D$ (%)	ACPR (dBc)
2-carrier W-CDMA	869 to 894 <a href="#">[1]</a>	1800	30	60	19.5	27.4	-35.6
2-carrier W-CDMA	920 to 960 <a href="#">[2]</a>	1800	30	60	19.5	30.5	-34

[1] In a common source class-AB application test circuit.

[2] In a common source class-AB production test circuit.

### 1.2 Features and benefits

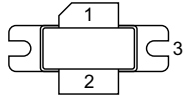
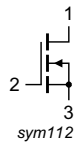
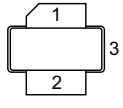
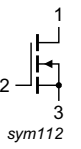
- Excellent ruggedness
- High efficiency
- Low thermal resistance providing excellent thermal stability
- Designed for broadband operation (869 MHz to 960 MHz)
- Lower output capacitance for improved performance in Doherty applications
- Designed for low memory effects providing excellent pre-distortability
- Internally matched for ease of use (input and output)
- Integrated ESD protection
- Compliant to Directive 2002/95/EC, regarding Restriction of Hazardous Substances (RoHS)

### 1.3 Applications

- RF power amplifiers for W-CDMA base stations and multi carrier applications in the 869 MHz to 960 MHz frequency range

## 2. Pinning information

Table 2. Pinning

Pin	Description	Simplified outline	Graphic symbol
<b>BLF7G10L-250 (SOT502A)</b>			
1	drain		
2	gate		
3	source <span style="color: blue;">[1]</span>		
<b>BLF7G10LS-250 (SOT502B)</b>			
1	drain		
2	gate		
3	source <span style="color: blue;">[1]</span>		

[1] Connected to flange

## 3. Ordering information

Table 3. Ordering information

Type number	Package		
	Name	Description	Version
BLF7G10L-250	-	flanged ceramic package; 2 mounting holes; 2 leads	SOT502A
BLF7G10LS-250	-	earless flanged ceramic package; 2 leads	SOT502B

## 4. Limiting values

Table 4. Limiting values

In accordance with the Absolute Maximum Rating System (IEC 60134).

Symbol	Parameter	Conditions	Min	Max	Unit
$V_{DS}$	drain-source voltage		-	65	V
$V_{GS}$	gate-source voltage		-0.5	+13	V
$T_{stg}$	storage temperature		-65	+150	°C
$T_j$	junction temperature		-	200	°C

## 5. Thermal characteristics

Table 5. Thermal characteristics

Symbol	Parameter	Conditions	Typ	Unit
$R_{th(j-c)}$	thermal resistance from junction to case	$T_{case} = 80\text{ °C}$ ; $P_L = 60\text{ W (CW)}$ ; $V_{DS} = 30\text{ V}$ ; $I_{Dq} = 1800\text{ mA}$	0.38	K/W

## 6. Characteristics

**Table 6. DC characteristics**

$T_j = 25\text{ }^\circ\text{C}$  unless otherwise specified.

Symbol	Parameter	Conditions	Min	Typ	Max	Unit
$V_{(BR)DSS}$	drain-source breakdown voltage	$V_{GS} = 0\text{ V}; I_D = 3.3\text{ mA}$	65	-	-	V
$V_{GS(th)}$	gate-source threshold voltage	$V_{DS} = 10\text{ V}; I_D = 330\text{ A}$	1.50	1.9	2.30	V
$V_{GSq}$	gate-source quiescent voltage	$V_{DS} = 30\text{ V}; I_D = 1.8\text{ A}$	1.63	2.03	2.43	V
$I_{DSS}$	drain leakage current	$V_{GS} = 0\text{ V}; V_{DS} = 28\text{ V}$	-	-	5	$\mu\text{A}$
$I_{DSX}$	drain cut-off current	$V_{GS} = V_{GS(th)} + 3.75\text{ V}; V_{DS} = 10\text{ V}$	-	56	-	A
$I_{GSS}$	gate leakage current	$V_{GS} = 11\text{ V}; V_{DS} = 0\text{ V}$	-	-	0.5	mA
$g_{fs}$	forward transconductance	$V_{DS} = 10\text{ V}; I_D = 11.55\text{ A}$	-	22	-	S
$R_{DS(on)}$	drain-source on-state resistance	$V_{GS} = V_{GS(th)} + 3.75\text{ V}; I_D = 11.55\text{ A}$	-	57	-	m $\Omega$

**Table 7. RF characteristics**

Test signal: 2-carrier W-CDMA; PAR = 7.5 dB at 0.01 % probability on the CCDF; 3GPP test model 1; 64 DPCH;  $f_1 = 920\text{ MHz}; f_2 = 925\text{ MHz}; f_3 = 955\text{ MHz}; f_4 = 960\text{ MHz}$ ; RF performance at  $V_{DS} = 30\text{ V}; I_{Dq} = 1800\text{ mA}; T_{case} = 25\text{ }^\circ\text{C}$ ; unless otherwise specified; in a class-AB production test circuit.

Symbol	Parameter	Conditions	Min	Typ	Max	Unit
$G_p$	power gain	$P_{L(AV)} = 60\text{ W}$	18.5	19.5	-	dB
$RL_{in}$	input return loss	$P_{L(AV)} = 60\text{ W}$	-	-15.5	-10	dB
$\eta_D$	drain efficiency	$P_{L(AV)} = 60\text{ W}$	27	30.5	-	%
ACPR	adjacent channel power ratio	$P_{L(AV)} = 60\text{ W}$	-	-34	-31	dBc

## 7. Test information

### 7.1 Ruggedness in class-AB operation

The BLF7G10L-250 and BLF7G10LS-250 are capable of withstanding a load mismatch corresponding to VSWR = 10 : 1 through all phases under the following conditions:  $V_{DS} = 30\text{ V}; I_{Dq} = 1800\text{ mA}; P_L = 200\text{ W (CW)}; f = 920\text{ MHz to }960\text{ MHz}$ .

### 7.2 Impedance information

**Table 8. Typical impedance information**

$I_{Dq} = 1800\text{ mA}$ ; main transistor  $V_{DS} = 30\text{ V}$ .  $Z_S$  and  $Z_L$  defined in [Figure 1](#).

f	$Z_S$	$Z_L$
(MHz)	( $\Omega$ )	( $\Omega$ )
925	3.1 – j3.3	1.0 – j1.7
942	3.2 – j3.3	1.0 – j1.6
960	3.4 – j3.5	0.9 – j1.4

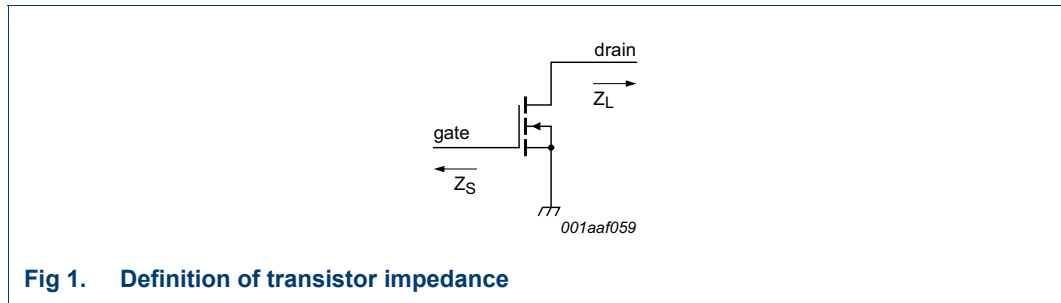


Fig 1. Definition of transistor impedance

### 7.3 Circuit

The figure displays two PCB layout diagrams. The left diagram shows the top side of the PCB with a central BLF7G10L(S)-250 transistor. Components C1, C2, C3, C7, C8, C9, and C10 are placed around the transistor. The right diagram shows the bottom side of the PCB with components C4, C5, C6, C11, C12, C13, C14, C15, and C16. The reference number aaa-001570 is located at the bottom right of the right diagram.

Printed-Circuit Board (PCB): Rogers RO3006;  $\epsilon_r = 6.15$  F/m; thickness = 0.635 mm; thickness copper plating = 35  $\mu\text{m}$ .  
 The vias can be used as a reference to place components.  
 The above layout shows the test circuit used to measure the devices in production. A more appropriate application demonstration for specific customer needs can be provided.  
 See [Table 9](#) for list of components.

Fig 2. Component layout

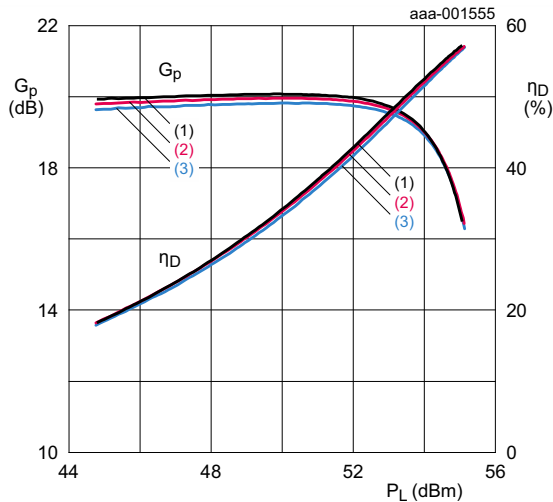
Table 9. List of components

See [Figure 2](#) for component layout.

Component	Description	Value	Remarks
C1, C2, C3, C4, C5, C6	multilayer ceramic chip capacitor	82 pF	ATC800B
C7, C9, C12, C14	multilayer ceramic chip capacitor	10 $\mu\text{F}$	Murata
C8, C10, C11, C13	multilayer ceramic chip capacitor	1 $\mu\text{F}$	Murata
C15, C16	electrolytic capacitor	470 $\mu\text{F}$ , 63 V	

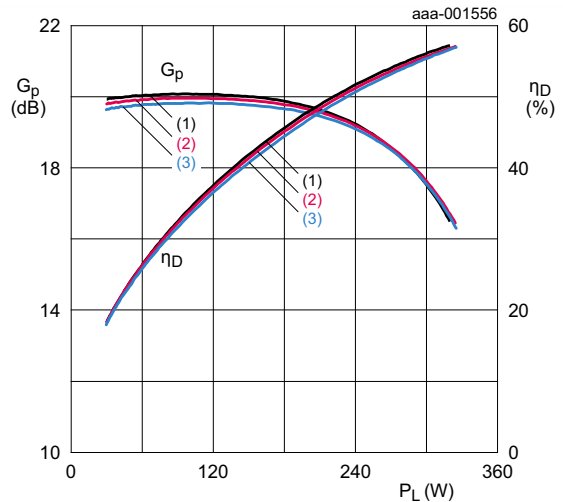
7.4 Graphs

7.4.1 CW pulsed



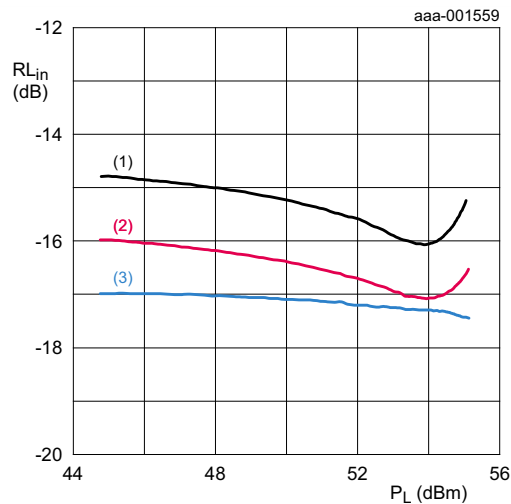
$V_{DS} = 30\text{ V}; I_{Dq} = 1800\text{ mA.}$   
 (1)  $f = 920\text{ MHz}$   
 (2)  $f = 940\text{ MHz}$   
 (3)  $f = 960\text{ MHz}$

Fig 3. Power gain and drain efficiency as function of output power; typical values



$V_{DS} = 30\text{ V}; I_{Dq} = 1800\text{ mA.}$   
 (1)  $f = 920\text{ MHz}$   
 (2)  $f = 940\text{ MHz}$   
 (3)  $f = 960\text{ MHz}$

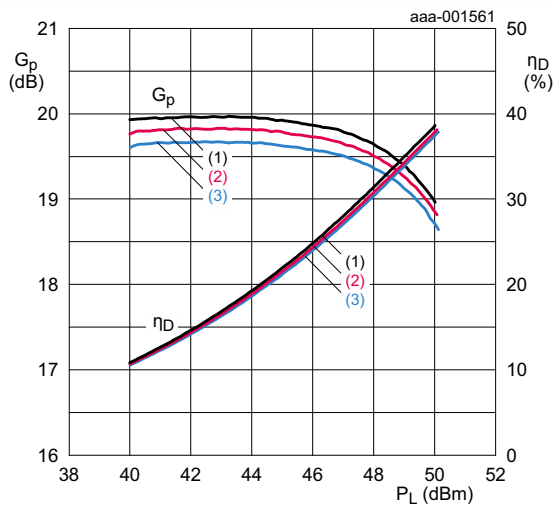
Fig 4. Power gain and drain efficiency as function of output power; typical values



$V_{DS} = 30\text{ V}; I_{Dq} = 1800\text{ mA.}$   
 (1)  $f = 920\text{ MHz}$   
 (2)  $f = 940\text{ MHz}$   
 (3)  $f = 960\text{ MHz}$

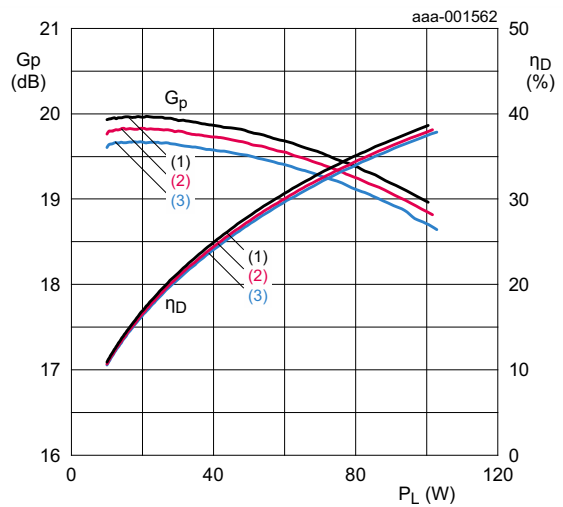
Fig 5. Input return loss as a function of output power; typical values

7.4.2 2-Carrier W-CDMA



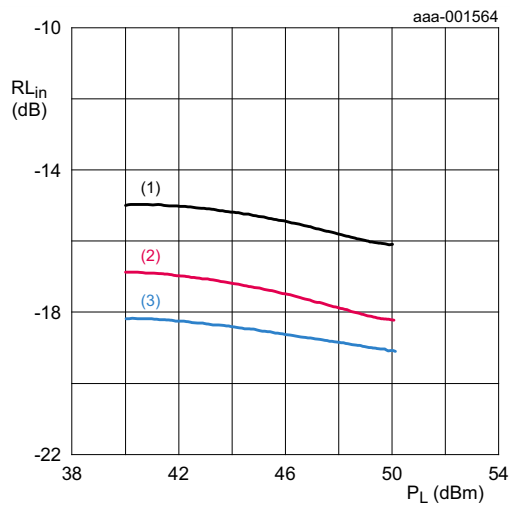
$V_{DS} = 30\text{ V}; I_{Dq} = 1800\text{ mA}.$   
 (1)  $f = 920\text{ MHz}$   
 (2)  $f = 940\text{ MHz}$   
 (3)  $f = 960\text{ MHz}$

**Fig 6. Power gain and drain efficiency as function of output power; typical values**



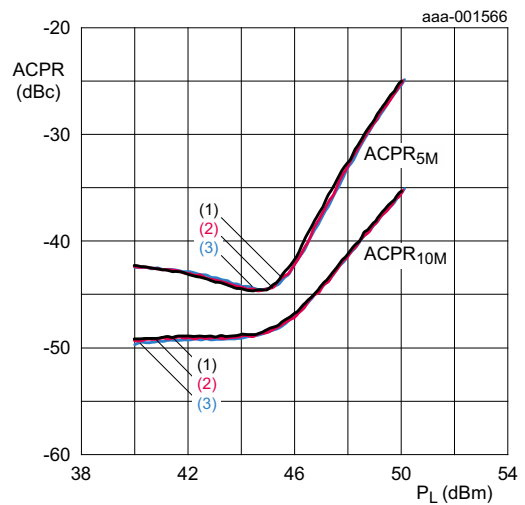
$V_{DS} = 30\text{ V}; I_{Dq} = 1800\text{ mA}.$   
 (1)  $f = 920\text{ MHz}$   
 (2)  $f = 940\text{ MHz}$   
 (3)  $f = 960\text{ MHz}$

**Fig 7. Power gain and drain efficiency as function of output power; typical values**



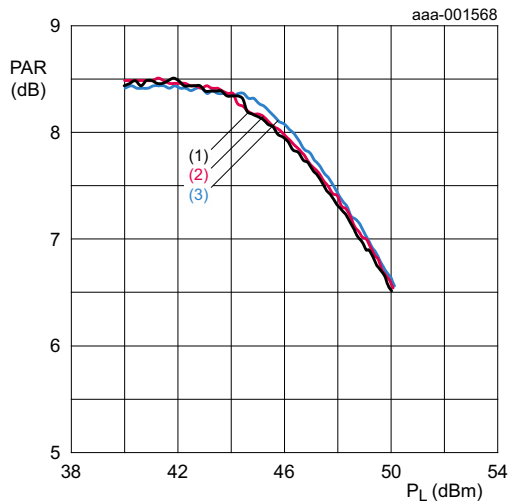
$V_{DS} = 30\text{ V}; I_{Dq} = 1800\text{ mA}.$   
 (1)  $f = 920\text{ MHz}$   
 (2)  $f = 940\text{ MHz}$   
 (3)  $f = 960\text{ MHz}$

**Fig 8. Input return loss as a function of output power; typical values**



$V_{DS} = 30\text{ V}; I_{Dq} = 1800\text{ mA}.$   
 (1)  $f = 920\text{ MHz}$   
 (2)  $f = 940\text{ MHz}$   
 (3)  $f = 960\text{ MHz}$

**Fig 9. Adjacent channel power ratio (5 MHz and 10 MHz) as function of output power; typical values**



$V_{DS} = 30\text{ V}; I_{Dq} = 1800\text{ mA}$ .

- (1)  $f = 920\text{ MHz}$
- (2)  $f = 940\text{ MHz}$
- (3)  $f = 960\text{ MHz}$

**Fig 10. Peak-to-average ratio as a function of output power; typical values**

8. Package outline

Flanged ceramic package; 2 mounting holes; 2 leads

SOT502A

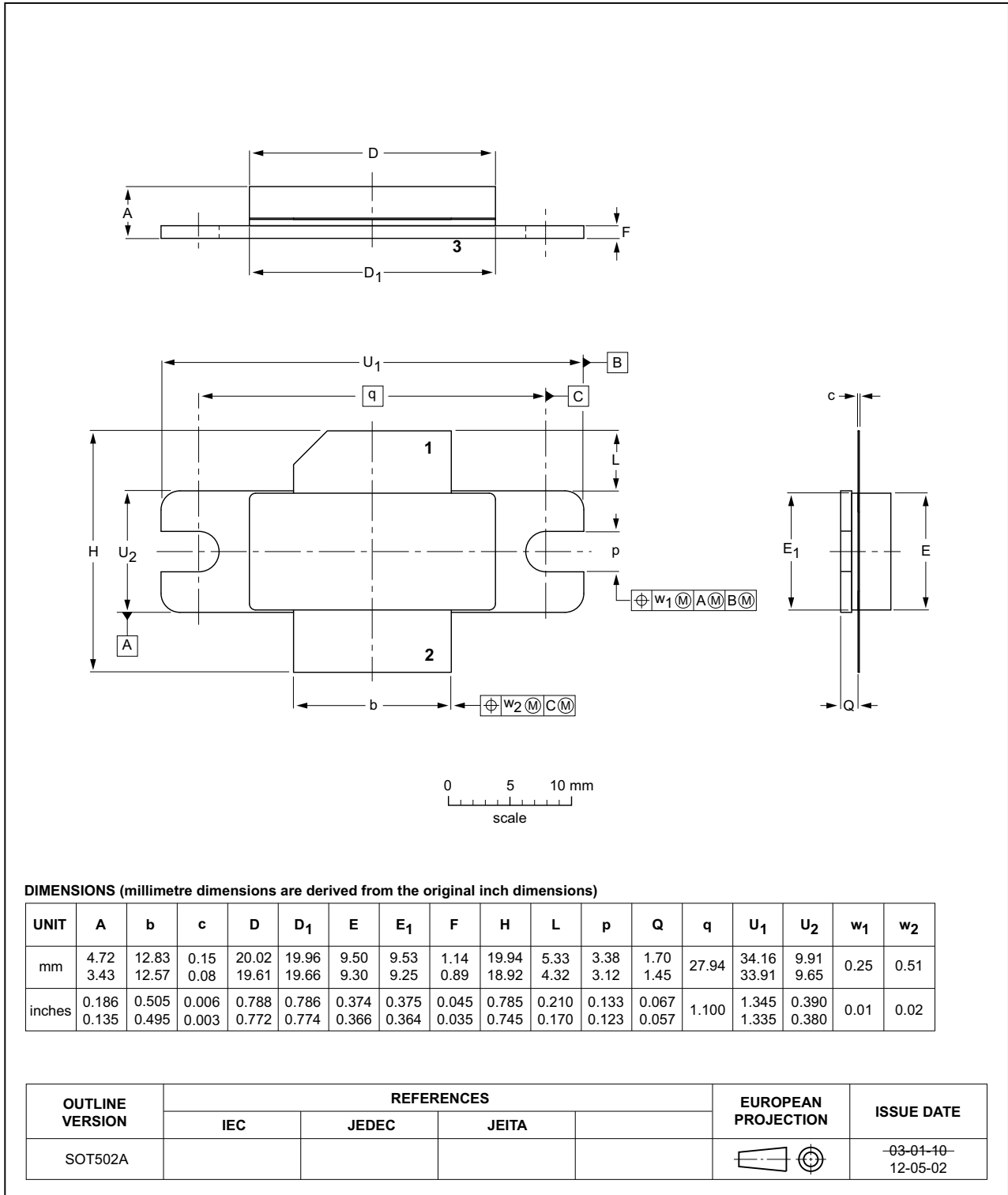


Fig 11. Package outline SOT502A

Earless flanged ceramic package; 2 leads

SOT502B

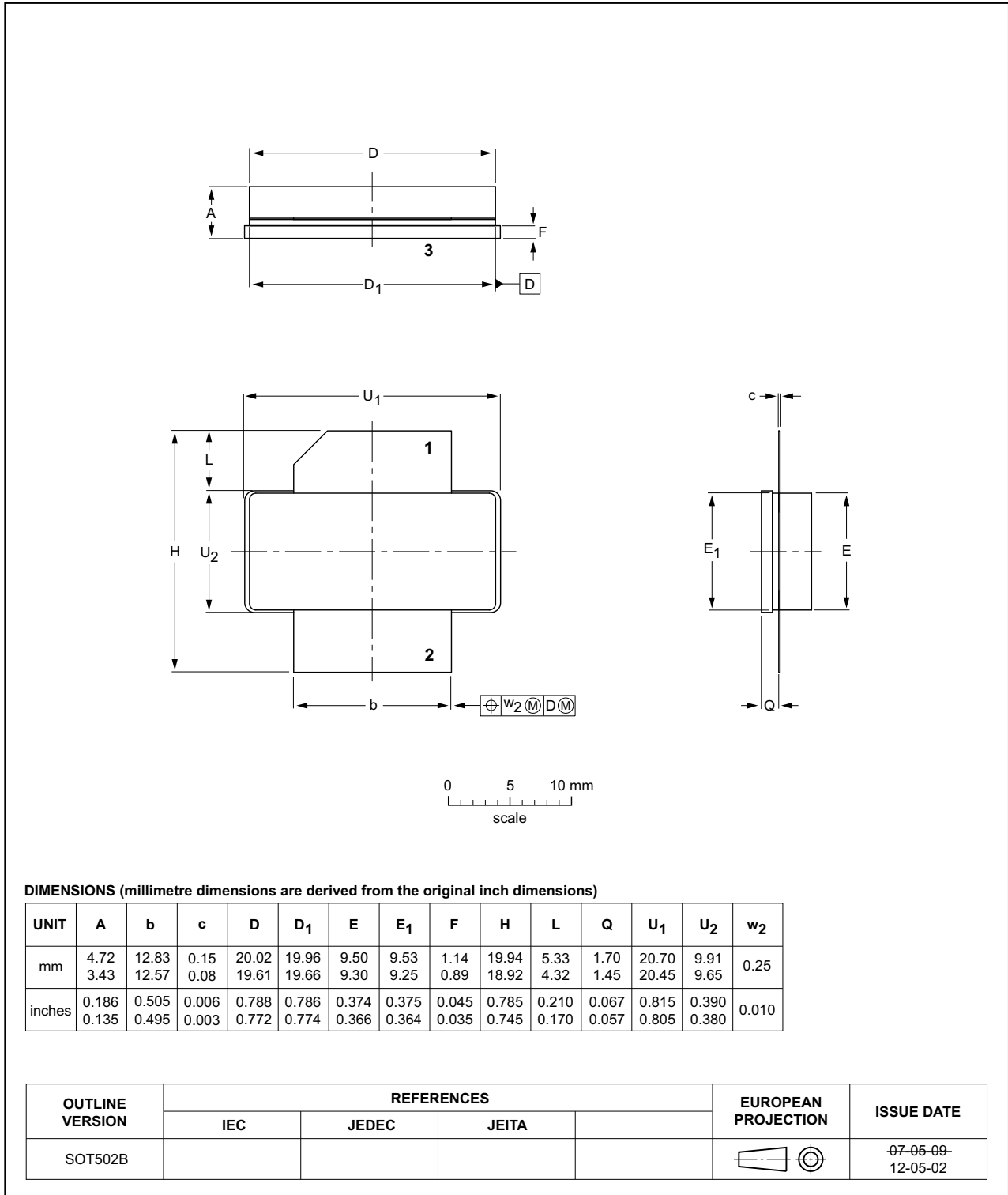


Fig 12. Package outline SOT502B

## 9. Handling information

### CAUTION



This device is sensitive to ElectroStatic Discharge (ESD). Observe precautions for handling electrostatic sensitive devices.

Such precautions are described in the *ANSI/ESD S20.20*, *IEC/ST 61340-5*, *JESD625-A* or equivalent standards.

## 10. Abbreviations

Table 10. Abbreviations

Acronym	Description
3GPP	Third Generation Partnership Project
CCDF	Complementary Cumulative Distribution Function
CW	Continuous Wave
DPCH	Dedicated Physical CHannel
ESD	ElectroStatic Discharge
LDMOS	Laterally Diffused Metal Oxide Semiconductor
PAR	Peak-to-Average Ratio
VSWR	Voltage Standing Wave Ratio
W-CDMA	Wideband Code Division Multiple Access

## 11. Revision history

Table 11. Revision history

Document ID	Release date	Data sheet status	Change notice	Supersedes
BLF7G10L-250_7G10LS-250 v.6	20161107	Product data sheet	-	BLF7G10L-250_7G10LS-250 v.5
Modifications:	<ul style="list-style-type: none"> <li>• <a href="#">Table 6 on page 3</a>: added <math>V_{GSq}</math> parameter to table</li> </ul>			
BLF7G10L-250_7G10LS-250 v.5	20150901	Product data sheet	-	BLF7G10L-250_7G10LS-250 v.4
BLF7G10L-250_7G10LS-250 v.4	20120913	Product data sheet	-	BLF7G10L-250_7G10LS-250 v.3
BLF7G10L-250_7G10LS-250 v.3	20120216	Product data sheet	-	BLF7G10L-250_7G10LS-250 v.2
BLF7G10L-250_7G10LS-250 v.2	20111114	Preliminary data sheet	-	BLF7G10L-250_7G10LS-250 v.1
BLF7G10L-250_7G10LS-250 v.1	20110225	Objective data sheet	-	-

## 12. Legal information

### 12.1 Data sheet status

Document status <sup>[1][2]</sup>	Product status <sup>[3]</sup>	Definition
Objective [short] data sheet	Development	This document contains data from the objective specification for product development.
Preliminary [short] data sheet	Qualification	This document contains data from the preliminary specification.
Product [short] data sheet	Production	This document contains the product specification.

[1] Please consult the most recently issued document before initiating or completing a design.

[2] The term 'short data sheet' is explained in section "Definitions".

[3] The product status of device(s) described in this document may have changed since this document was published and may differ in case of multiple devices. The latest product status information is available on the Internet at URL <http://www.ampleon.com>.

### 12.2 Definitions

**Draft** — The document is a draft version only. The content is still under internal review and subject to formal approval, which may result in modifications or additions. Ampleon does not give any representations or warranties as to the accuracy or completeness of information included herein and shall have no liability for the consequences of use of such information.

**Short data sheet** — A short data sheet is an extract from a full data sheet with the same product type number(s) and title. A short data sheet is intended for quick reference only and should not be relied upon to contain detailed and full information. For detailed and full information see the relevant full data sheet, which is available on request via the local Ampleon sales office. In case of any inconsistency or conflict with the short data sheet, the full data sheet shall prevail.

**Product specification** — The information and data provided in a Product data sheet shall define the specification of the product as agreed between Ampleon and its customer, unless Ampleon and customer have explicitly agreed otherwise in writing. In no event however, shall an agreement be valid in which the Ampleon product is deemed to offer functions and qualities beyond those described in the Product data sheet.

Ampleon product can reasonably be expected to result in personal injury, death or severe property or environmental damage. Ampleon and its suppliers accept no liability for inclusion and/or use of Ampleon products in such equipment or applications and therefore such inclusion and/or use is at the customer's own risk.

**Applications** — Applications that are described herein for any of these products are for illustrative purposes only. Ampleon makes no representation or warranty that such applications will be suitable for the specified use without further testing or modification.

Customers are responsible for the design and operation of their applications and products using Ampleon products, and Ampleon accepts no liability for any assistance with applications or customer product design. It is customer's sole responsibility to determine whether the Ampleon product is suitable and fit for the customer's applications and products planned, as well as for the planned application and use of customer's third party customer(s). Customers should provide appropriate design and operating safeguards to minimize the risks associated with their applications and products.

Ampleon does not accept any liability related to any default, damage, costs or problem which is based on any weakness or default in the customer's applications or products, or the application or use by customer's third party customer(s). Customer is responsible for doing all necessary testing for the customer's applications and products using Ampleon products in order to avoid a default of the applications and the products or of the application or use by customer's third party customer(s). Ampleon does not accept any liability in this respect.

**Limiting values** — Stress above one or more limiting values (as defined in the Absolute Maximum Ratings System of IEC 60134) will cause permanent damage to the device. Limiting values are stress ratings only and (proper) operation of the device at these or any other conditions above those given in the Recommended operating conditions section (if present) or the Characteristics sections of this document is not warranted. Constant or repeated exposure to limiting values will permanently and irreversibly affect the quality and reliability of the device.

**Terms and conditions of commercial sale** — Ampleon products are sold subject to the general terms and conditions of commercial sale, as published at <http://www.ampleon.com/terms>, unless otherwise agreed in a valid written individual agreement. In case an individual agreement is concluded only the terms and conditions of the respective agreement shall apply. Ampleon hereby expressly objects to applying the customer's general terms and conditions with regard to the purchase of Ampleon products by customer.

**No offer to sell or license** — Nothing in this document may be interpreted or construed as an offer to sell products that is open for acceptance or the grant, conveyance or implication of any license under any copyrights, patents or other industrial or intellectual property rights.

**Export control** — This document as well as the item(s) described herein may be subject to export control regulations. Export might require a prior authorization from competent authorities.

### 12.3 Disclaimers

**Limited warranty and liability** — Information in this document is believed to be accurate and reliable. However, Ampleon does not give any representations or warranties, expressed or implied, as to the accuracy or completeness of such information and shall have no liability for the consequences of use of such information. Ampleon takes no responsibility for the content in this document if provided by an information source outside of Ampleon.

In no event shall Ampleon be liable for any indirect, incidental, punitive, special or consequential damages (including - without limitation - lost profits, lost savings, business interruption, costs related to the removal or replacement of any products or rework charges) whether or not such damages are based on tort (including negligence), warranty, breach of contract or any other legal theory.

Notwithstanding any damages that customer might incur for any reason whatsoever, Ampleon's aggregate and cumulative liability towards customer for the products described herein shall be limited in accordance with the *Terms and conditions of commercial sale* of Ampleon.

**Right to make changes** — Ampleon reserves the right to make changes to information published in this document, including without limitation specifications and product descriptions, at any time and without notice. This document supersedes and replaces all information supplied prior to the publication hereof.

**Suitability for use** — Ampleon products are not designed, authorized or warranted to be suitable for use in life support, life-critical or safety-critical systems or equipment, nor in applications where failure or malfunction of an

**Non-automotive qualified products** — Unless this data sheet expressly states that this specific Ampleon product is automotive qualified, the product is not suitable for automotive use. It is neither qualified nor tested in accordance with automotive testing or application requirements. Ampleon accepts no liability for inclusion and/or use of non-automotive qualified products in automotive equipment or applications.

In the event that customer uses the product for design-in and use in automotive applications to automotive specifications and standards, customer (a) shall use the product without Ampleon's warranty of the product for such automotive applications, use and specifications, and (b) whenever customer uses the product for automotive applications beyond Ampleon's specifications such use shall be solely at customer's own risk, and (c) customer fully indemnifies Ampleon for any liability, damages or failed product claims resulting from customer design and use of the product for automotive applications beyond Ampleon's standard warranty and Ampleon's product specifications.

**Translations** — A non-English (translated) version of a document is for reference only. The English version shall prevail in case of any discrepancy between the translated and English versions.

## 12.4 Trademarks

Notice: All referenced brands, product names, service names and trademarks are the property of their respective owners.

Any reference or use of any 'NXP' trademark in this document or in or on the surface of Ampleon products does not result in any claim, liability or entitlement vis-à-vis the owner of this trademark. Ampleon is no longer part of the NXP group of companies and any reference to or use of the 'NXP' trademarks will be replaced by reference to or use of Ampleon's own trademarks.

## 13. Contact information

---

For more information, please visit: <http://www.ampleon.com>

For sales office addresses, please visit: <http://www.ampleon.com/sales>

14. Contents

1 **Product profile** . . . . . 1

1.1 General description . . . . . 1

1.2 Features and benefits . . . . . 1

1.3 Applications . . . . . 1

2 **Pinning information** . . . . . 2

3 **Ordering information** . . . . . 2

4 **Limiting values** . . . . . 2

5 **Thermal characteristics** . . . . . 2

6 **Characteristics** . . . . . 3

7 **Test information** . . . . . 3

7.1 Ruggedness in class-AB operation . . . . . 3

7.2 Impedance information . . . . . 3

7.3 Circuit . . . . . 4

7.4 Graphs . . . . . 5

7.4.1 CW pulsed . . . . . 5

7.4.2 2-Carrier W-CDMA . . . . . 6

8 **Package outline** . . . . . 8

9 **Handling information** . . . . . 10

10 **Abbreviations** . . . . . 10

11 **Revision history** . . . . . 10

12 **Legal information** . . . . . 11

12.1 Data sheet status . . . . . 11

12.2 Definitions . . . . . 11

12.3 Disclaimers . . . . . 11

12.4 Trademarks . . . . . 12

13 **Contact information** . . . . . 12

14 **Contents** . . . . . 13

Please be aware that important notices concerning this document and the product(s) described herein, have been included in section 'Legal information'.

© Ampleon Netherlands B.V. 2016. All rights reserved.



For more information, please visit: <http://www.ampleon.com>  
 For sales office addresses, please visit: <http://www.ampleon.com/sales>

Date of release: 7 November 2016

Document identifier: BLF7G10L-250\_7G10LS-250

## Looking for pricing, stock, or lifecycle information?

Click below to explore more details on WIN SOURCE:

-  [View BLF7G10LS-250,118 on WIN SOURCE](#)
-  [Ampleon USA Inc. Information](#)

## Optimize Your Supply Chain with WIN SOURCE Solutions

-  Global Sourcing Solution
-  Obsolete Management
-  Cost Control Management
-  Shortage Management
-  Alternative Solution
-  Excess Inventory Management