



# THE DATASHEET OF BQ2054PN



# Not Recommended for New Designs (NRND)



## bq2054

### Lithium Ion Fast-Charge IC

#### Features

- ▶ Safe charge of Lithium Ion battery packs
- ▶ Voltage-regulated current-limited charging
- ▶ Fast charge terminated by selectable minimum current; safety backup termination on maximum time
- ▶ Charging continuously qualified by temperature and voltage limits
- ▶ Pulse-width modulation control ideal for high-efficiency switch-mode power conversion
- ▶ Direct LED control outputs display charge status and fault conditions

#### General Description

The bq2054 Lithium Ion Fast-Charge IC is designed to optimize charging of lithium ion (Li-Ion) chemistry batteries. A flexible pulse-width modulation regulator allows the bq2054 to control voltage and current during charging. The regulator frequency is set by an external capacitor for design flexibility. The switch-mode design keeps power dissipation to a minimum.

The bq2054 measures battery temperature using an external thermistor for charge qualification. Charging begins when power is applied or on battery insertion.

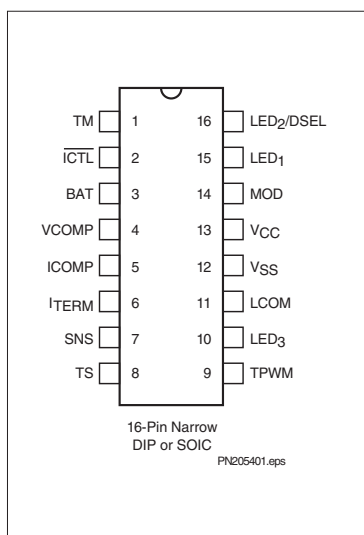
For safety, the bq2054 inhibits charging until the battery voltage and temperature are within con-

figured limits. If the battery voltage is less than the low-voltage threshold, the bq2054 provides low-current conditioning of the battery.

A constant current-charging phase replenishes up to 70% of the charge capacity, and a voltage-regulated phase returns the battery to full. The charge cycle terminates when the charging current falls below a user-selectable current limit. For safety, charging terminates after maximum time and is suspended if the temperature is outside the preconfigured limits.

The bq2054 provides status indications of all charger states and faults for accurate determination of the battery and charge system conditions.

#### Pin Connections



#### Pin Names

TM	Time-out programming input	TPWM	Regulator timebase input
ICTL	Inrush current control output	LED <sub>3</sub>	Charge status output 3
BAT	Battery voltage input	LCOM	Common LED output
VCOMP	Voltage loop comp input	V <sub>SS</sub>	System ground
ICOMP	Current loop comp input	V <sub>CC</sub>	5.0V±10% power
ITERM	Minimum current termination select input	MOD	Modulation control output
SNS	Sense resistor input	LED <sub>1</sub>	Charge status output 1
TS	Temperature sense input	LED <sub>2</sub> /DSEL	Charge status output 2/ Display select input

# Not Recommended for New Designs (NRND)

bq2054

## Pin Descriptions

### TM Time-out programming input

This input sets the maximum charge time. The resistor and capacitor values are determined using Equation 5. Figure 7 shows the resistor/capacitor connection.

### ICTL Inrush current control output

ICTL is driven low during the fault or charge-complete states of the chip. It is used to disconnect the capacitor across the battery pack terminals, preventing inrush currents from tripping overcurrent protection features in the pack when a new battery is inserted.

### BAT Battery voltage input

BAT is the battery voltage sense input. This potential is generally developed using a high-impedance resistor divider network connected between the positive and the negative terminals of the battery. See Figure 4 and Equation 1.

### VCOMP Voltage loop compensation input

This input uses an external R-C network for voltage loop stability.

### ITERM Minimum current termination select

This three-state input is used to set  $I_{MIN}$  for fast charge termination. See Table 2.

### ICOMP Current loop compensation input

This input uses an external R-C network for current loop stability.

### SNS Charging current sense input

Battery current is sensed via the voltage developed on this pin by an external sense resistor,  $R_{SNS}$ , connected in series with the negative terminal of the battery pack. See Equation 6.

### TS Temperature sense input

This input is used to monitor battery temperature. An external resistor divider network sets the lower and upper temperature thresholds. See Figure 6 and Equations 3 and 4.

### TPWM Regulation timebase input

This input uses an external timing capacitor to ground to set the pulse-width modulation (PWM) frequency. See Equation 7.

### LCOM Common LED output

Common output for LED<sub>1-3</sub>. This output is in a high-impedance state during initialization to read programming input on DSEL.

### MOD Current-switching control output

MOD is a pulse-width modulated push/pull output that is used to control the charging current to the battery. MOD switches high to enable current flow and low to inhibit current flow.

### LED<sub>1-3</sub> LED<sub>3</sub> Charger display status 1–3 outputs

These charger status output drivers are for the direct drive of the LED display. Display modes are shown in Table 1. These outputs are tri-stated during initialization so that DSEL can be read.

### DSEL Display select input

This three-level input controls the LED<sub>1-3</sub> charge display modes. See Table 1.

### VCC VCC supply

5.0V, ± 10% power

### VSS Ground

# Not Recommended for New Designs (NRND)

## bq2054

### Charge Algorithm

The bq2054 uses a two-phase fast charge algorithm. In phase 1, the bq2054 regulates constant current ( $I_{SNS} = I_{MAX}$ ) until  $V_{CELL} (= V_{BAT} - V_{SNS})$  rises to  $V_{REG}$ . The bq2054 then transitions to phase 2 and regulates constant voltage ( $V_{CELL} = V_{REG}$ ) until the charging current falls below the programmed  $I_{MIN}$  threshold. The charging current must remain below  $I_{MIN}$  for  $120 \pm 40ms$  before a valid fast charge termination is detected. Fast charge then terminates, and the bq2054 enters the Charge Complete state. See Figures 1 and 2.

### Charge Qualification

The bq2054 starts a charge cycle when power is applied while a battery is present or when a battery is inserted. Figure 2 shows the state diagram for pre-charge qualification and temperature monitoring. The bq2054 first checks that the battery temperature is within the allowed, user-configurable range. If the temperature is out of range, the bq2054 enters the Charge Pending state and waits until the battery temperature is within the allowed range. Charge Pending is enunciated by LED<sub>3</sub> flashing.

Thermal monitoring continues throughout the charge cycle, and the bq2054 enters the Charge Pending state when the temperature out of range. (There is one exception; if the bq2054 is in the Fault state—see below—the out-of-range temperature is not recognized until the bq2054 leaves the Fault state.) All timers are suspended (but not reset) while the bq2054 is in Charge Pending. When the temperature comes back into range, the bq2054 returns to the point in the charge cycle where the out-of-range temperature was detected.

When the temperature is valid, the bq2054 then regulates current to  $I_{COND} (= I_{MAX}/5)$ . After an initial holdoff period  $t_{HO}$  (which prevents the chip from reacting to transient voltage spikes that may occur when charge current is first applied), the chip begins monitoring  $V_{CELL}$ . If  $V_{CELL}$  does not rise to at least  $V_{MIN}$  before the expiration of time-out limit  $t_{MTO}$  (e.g. the cell has failed short), the bq2054 enters the Fault state. If  $V_{MIN}$  is achieved before expiration of the time limit, the chip begins fast charging.

Once in the Fault state, the bq2054 waits until  $V_{CC}$  is cycled or a new battery insertion is detected. It then starts a new charge cycle and begins the qualification process again.

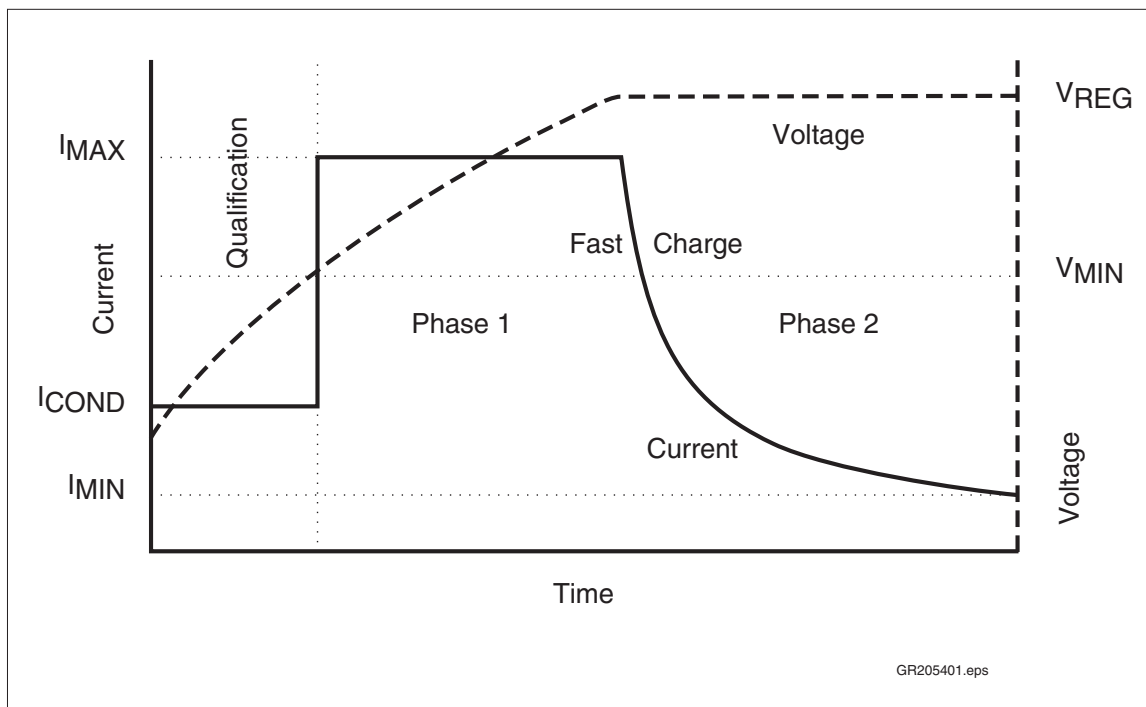


Figure 1. bq2054 Charge Algorithm

# Not Recommended for New Designs (NRND)

bq2054

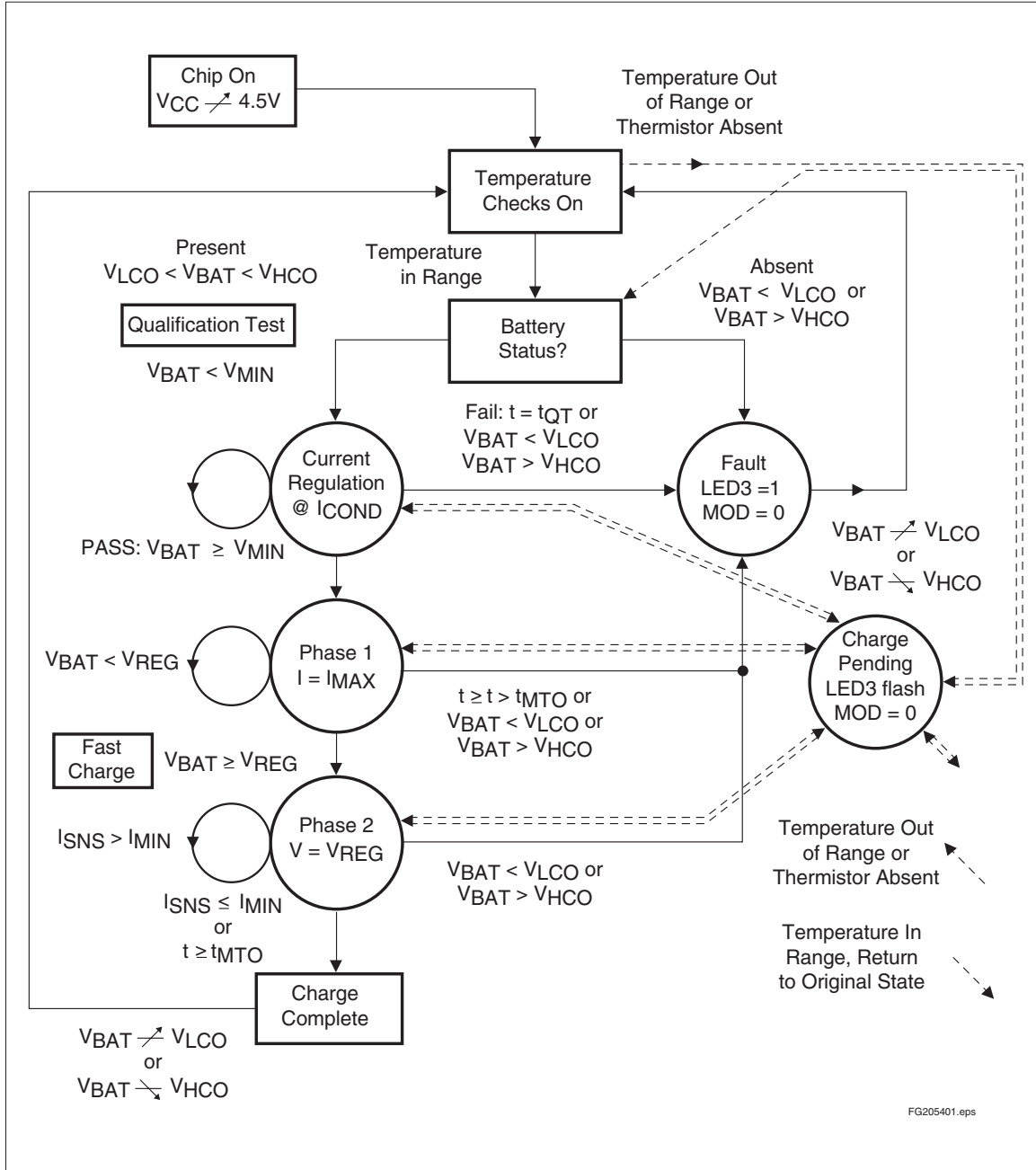


Figure 2. bq2054 State Diagram

# Not Recommended for New Designs (NRND)

## bq2054

### Charge Status Display

Charge status is enunciated by the LED driver outputs LED<sub>1</sub>–LED<sub>3</sub>. Three display modes are available in the bq2054; the user selects a display mode by configuring pin DSEL. Table 1 shows the three display modes.

The bq2054 does not distinguish between an over-voltage fault and a “battery absent” condition. The bq2054 enters the Fault state, enunciated by turning on LED<sub>3</sub>, whenever the battery is absent. The bq2054, therefore, gives an indication that the charger is on even when no battery is in place to be charged.

### Configuring the Display Mode and I<sub>MIN</sub>

DSEL/LED<sub>2</sub> is a bi-directional pin with two functions; it is an LED driver pin as an output and a programming pin as an input. The selection of pull-up, pull-down, or no pull resistor programs the display mode on DSEL per Table 1. The bq2054 latches the programming data sensed on the DSEL input when any one of the following three events occurs:

1. V<sub>CC</sub> rises to a valid level.
2. The bq2054 leaves the Fault state.
3. The bq2054 detects battery insertion.

The LEDs go blank for approximately 750ms (typical) while new programming data is latched.

**Table 1. bq2054 Display Output Summary**

Mode	Charge Action State	LED <sub>1</sub>	LED <sub>2</sub>	LED <sub>3</sub>
DSEL = 0 (Mode 1)	Battery absent or over-voltage fault	Low	Low	High
	Pre-charge qualification	Flash	Low	Low
	Fast charging	High	Low	Low
	Charge complete	Low	High	Low
	Charge pending (temperature out of range)	X	X	Flash
	Charging fault	X	X	High
DSEL = 1 (Mode 2)	Battery absent or over-voltage fault	Low	Low	High
	Pre-charge qualification	High	High	Low
	Fast charge	Low	High	Low
	Charge complete	High	Low	Low
	Charge pending (temperature out of range)	X	X	Flash
	Charging fault	X	X	High
DSEL = Float (Mode 3)	Battery absent or over-voltage fault	Low	Low	High
	Pre-charge qualification	Flash	Flash	Low
	Fast charge: current regulation	Low	High	Low
	Fast charge: voltage regulation	High	High	Low
	Charge complete	High	Low	Low
	Charge pending (temperature out of range)	X	X	Flash
	Charging fault	X	X	High

**Note:** 1 = V<sub>CC</sub>; 0 = V<sub>SS</sub>; X = LED state when fault occurred; Flash = 1/6 sec. low, 1/6 sec high.

Fast charge terminates when the charging current drops below a minimum current threshold programmed by the value of  $I_{TERM}$  (see Table 2) and remains below that level for  $120 \pm 40$ ms.

**Table 2.  $I_{MIN}$  Termination Thresholds**

$I_{TERM}$	$I_{MIN}$
0	$I_{MAX}/10$
1	$I_{MAX}/20$
Float	$I_{MAX}/30$

Figure 3 shows the bq2054 configured for display mode 2 and  $I_{MIN} = I_{MAX}/10$ .

### Voltage and Current Monitoring

The bq2054 monitors battery pack voltage at the BAT pin. The user must implement a voltage divider between the positive and negative terminals of the battery pack to present a scaled battery pack voltage to the BAT pin. The bq2054 also uses the voltage across a sense resistor ( $R_{SNS}$ ) between the negative terminal of the battery pack and ground to monitor the current into the pack. See Figure 4 for the configuration of this network.

The resistor values are calculated from the following:

Equation 1

$$\frac{RB1}{RB2} = \frac{N * V_{REG}}{205V} - 1$$

where:

- $N$  = Number of cells in series
- $V_{REG}$  = Desired fast-charging voltage per cell

These parameters are typically specified by the battery manufacturer. The total resistance presented across the battery pack by  $RB1 + RB2$  should be between  $150k\Omega$  and  $1M\Omega$ . The minimum value ensures that the divider network does not drain the battery excessively when the power source is disconnected. Exceeding the maximum value increases the noise susceptibility of the BAT pin.

The current sense resistor,  $R_{SNS}$  (see Figure 5), determines the fast charge current. The value of  $R_{SNS}$  is given by the following:

Equation 2

$$I_{MAX} = \frac{0.250V}{R_{SNS}}$$

where:

- $I_{MAX}$  = Desired maximum charge current

### Hold-Off Period

Both  $V_{HCO}$  and  $I_{MIN}$  terminations are ignored during the first  $1.33 \pm 0.19$  seconds of both the Charge Qualification and Fast Charge phases. This condition prevents premature termination due to voltage spikes that may occur when charge is first applied.

# Not Recommended for New Designs (NRND)

## bq2054

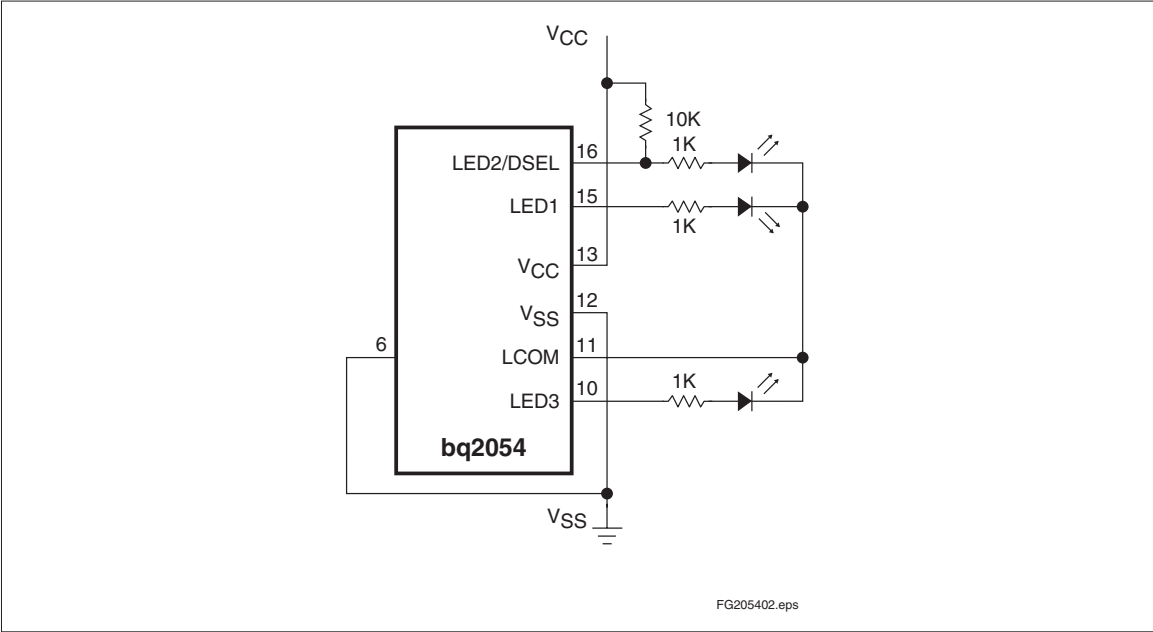


Figure 3. Configured Display Mode/IMIN Threshold

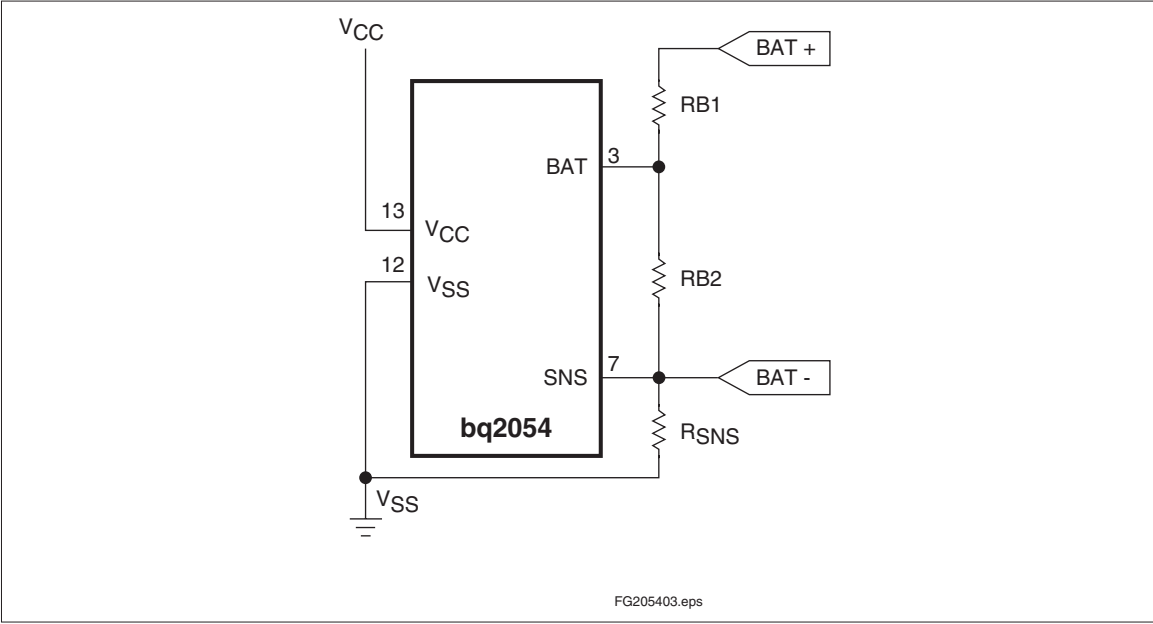


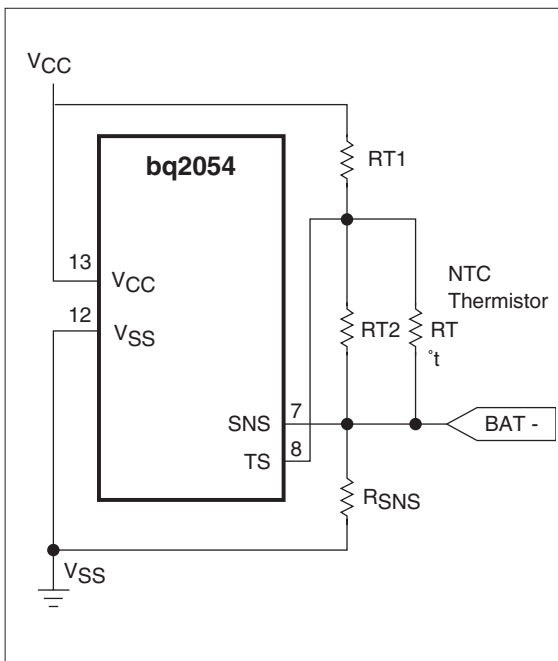
Figure 4. Configuring the Battery Divider

### Battery Insertion and Removal

$V_{CELL}$  is interpreted by the bq2054 to detect the presence or absence of a battery. The bq2054 determines that a battery is present when  $V_{CELL}$  is between the High-Voltage Cutoff ( $V_{HCO} = V_{REG} + 0.25V$ ) and the Low-Voltage Cutoff ( $V_{LCO} = 0.8V$ ). When  $V_{CELL}$  is outside this range, the bq2054 determines that no battery is present and transitions to the Fault state. Transitions into and out of the range between  $V_{LCO}$  and  $V_{HCO}$  are treated as battery insertions and removals, respectively. The  $V_{HCO}$  limit also implicitly serves as an over-voltage charge termination.

### Inrush Current Control

Whenever the bq2054 is in the fault or charge-complete state, the ICTL output is driven low. This output can be used to disconnect the capacitor usually present in the charger across the positive and negative battery terminals, preventing the cap from supplying large inrush currents to a newly inserted battery. Such inrush currents may trip the overcurrent protection circuitry usually present in Li-Ion battery packs.



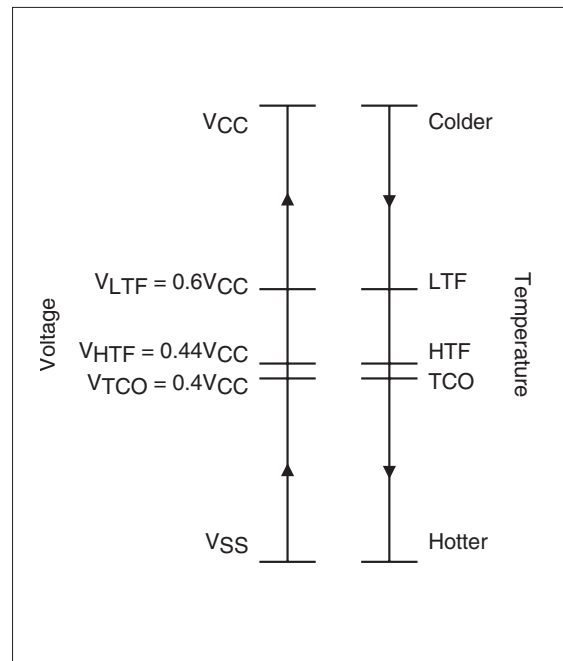
**Figure 5. Configuring Temperature Sensing**

### Temperature Monitoring

The bq2054 monitors temperature by examining the voltage presented between the TS and SNS pins by a resistor network that includes a Negative Temperature Coefficient (NTC) thermistor. Resistance variations around that value are interpreted as being proportional to the battery temperature (see Figure 6).

The temperature thresholds used by the bq2054 and their corresponding TS pin voltage are:

- TCO (Temperature Cutoff): Higher limit of the temperature range in which charging is allowed.  $V_{TCO} = 0.4 * V_{CC}$
- HTF (High-Temperature Fault): Threshold to which temperature must drop after temperature cutoff is exceeded before charging can begin again.  $V_{HTF} = 0.44 * V_{CC}$
- LTF (Low-Temperature Fault): Lower limit of the temperature range in which charging is allowed.  $V_{LTF} = 0.6 * V_{CC}$



**Figure 6. Voltage Equivalent of Temperature**

## bq2054

A resistor-divider network can be implemented that presents the defined voltage levels to the TS pin at the desired temperatures (see Figure 6).

The equations for determining RT1 and RT2 are:

Equation 3

$$0.6 * V_{CC} = \frac{(V_{CC} - 0.250)}{1 + \frac{RT1 * (RT2 + R_{LTF})}{(RT2 * R_{LTF})}}$$

Equation 4

$$0.44 = \frac{1}{1 + \frac{RT1 * (RT2 + R_{HTF})}{(RT2 * R_{HTF})}}$$

where:

- $R_{LTF}$  = thermistor resistance at LTF
- $R_{HTF}$  = thermistor resistance at HTF

TCO is determined by the values of RT1 and RT2. 1% resistors are recommended.

### Disabling Temperature Sensing

Temperature sensing can be disabled by placing 10kΩ resistors between TS and SNS and between SNS and VCC.

### Maximum Time-Out

MTO is programmed from 1 to 24 hours by an R-C network on the TM pin (see Figure 7) per the equation:

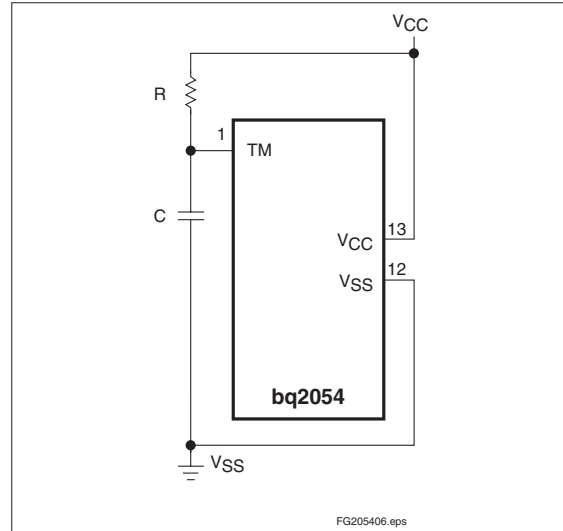
Equation 5

$$t_{MTO} = 0.5 * R * C$$

Where R is in kΩ and C is in μF,  $t_{MTO}$  is in hours. The maximum value for C (0.1μF) is typically used.

The MTO timer is reset at the beginning of fast charge and when fast charge transitions from the current regulated to the voltage regulated mode. If MTO expires during the current regulated phase, the bq2054 enters the Fault state and terminates charge. If the MTO timer expires during the voltage regulated phase, fast charging terminates and the bq2054 enters the Charge Complete state.

The MTO timer is suspended (but not reset) during the out-of-range temperature (Charge Pending) state.



**Figure 7. R-C Network for Setting MTO**

### Charge Regulation

The bq2054 controls charging through pulse-width modulation of the MOD output pin, supporting both constant-current and constant-voltage regulation. Charge current is monitored at the SNS pin, and charge voltage is monitored at the BAT pin. These voltages are compared to an internal reference, and the MOD output modulated to maintain the desired value.

Voltage at the SNS pin is determined by the value of resistor  $R_{SNS}$ , so nominal regulated current is set by:

Equation 6

$$I_{MAX} = 0.250V/R_{SNS}$$

The switching frequency of the MOD output is determined by an external capacitor ( $C_{PWM}$ ) between the pin TPWM and ground, per the following:

Equation 7

$$F_{PWM} = 0.1/C_{PWM}$$

Where C is in μF and F is in kHz. A typical switching rate is 100kHz, implying  $C_{PWM} = 0.001\mu F$ . MOD pulse width is modulated between 0 and 90% of the switching period.

To prevent oscillation in the voltage and current control loops, frequency compensation networks (C or R-C) are typically required on the  $V_{COMP}$  and  $I_{COMP}$  pins (respectively).

# Not Recommended for New Designs (NRND)

bq2054

## Absolute Maximum Ratings

Symbol	Parameter	Minimum	Maximum	Unit	Notes
V <sub>CC</sub>	V <sub>CC</sub> relative to V <sub>SS</sub>	-0.3	+7.0	V	
V <sub>T</sub>	DC voltage applied on any pin excluding V <sub>CC</sub> relative to V <sub>SS</sub>	-0.3	+7.0	V	
T <sub>OPR</sub>	Operating ambient temperature	-20	+70	°C	Commercial
T <sub>STG</sub>	Storage temperature	-55	+125	°C	
T <sub>SOLDER</sub>	Soldering temperature	-	+260	°C	10 sec. max.

**Note:** Permanent device damage may occur if **Absolute Maximum Ratings** are exceeded. Functional operation should be limited to the Recommended DC Operating Conditions detailed in this data sheet. Exposure to conditions beyond the operational limits for extended periods of time may affect device reliability.

# Not Recommended for New Designs (NRND)

## bq2054

---

### DC Thresholds ( $T_A = T_{OPR}$ ; $V_{CC} = 5V \pm 10\%$ )

Symbol	Parameter	Rating	Unit	Tolerance	Notes
$V_{REF}$	Internal reference voltage	2.05	V	1%	$T_A = 25^\circ\text{C}$
	Temperature coefficient	-0.5	mV/°C	10%	
$V_{LTF}$	TS maximum threshold	$0.6 * V_{CC}$	V	$\pm 0.03V$	Low-temperature fault
$V_{HTF}$	TS hysteresis threshold	$0.44 * V_{CC}$	V	$\pm 0.03V$	High-temperature fault
$V_{TCO}$	TS minimum threshold	$0.4 * V_{CC}$	V	$\pm 0.03V$	Temperature cutoff
$V_{HCO}$	High cutoff voltage	2.3V	V	1%	
$V_{MIN}$	Under-voltage threshold at BAT	$0.2 * V_{CC}$	V	$\pm 0.03V$	
$V_{LCO}$	Low cutoff voltage	0.8	V	$\pm 0.03V$	
$V_{SNS}$	Current sense at SNS	0.250	V	10%	$I_{MAX}$
		0.050	V	10%	$I_{COND}$

# Not Recommended for New Designs (NRND)

**bq2054**

## Recommended DC Operating Conditions ( $T_A = T_{OPR}$ )

Symbol	Parameter	Minimum	Typical	Maximum	Unit	Notes
$V_{CC}$	Supply voltage	4.5	5.0	5.5	V	
$V_{TEMP}$	Temperature sense voltage	0	-	$V_{CC}$	V	$V_{TS} - V_{SNS}$
$V_{CELL}$	Per cell battery voltage input	0	-	$V_{CC}$	V	$V_{BAT} - V_{SNS}$
$I_{CC}$	Supply current	-	2	4	mA	Outputs unloaded
$I_{IZ}$	DSEL tri-state open detection	-2	-	2	$\mu A$	Note 2
	$I_{TERM}$ tri-state open detection	-2	-	2	$\mu A$	
$V_{IH}$	Logic input high	$V_{CC}-0.3$	-	-	V	DSEL, $I_{TERM}$
$V_{IL}$	Logic input low	-	-	$V_{SS}+0.3$	V	DSEL, $I_{TERM}$
$V_{OH}$	LED <sub>1-3</sub> , $\overline{ICTL}$ , output high	$V_{CC}-0.8$	-	-	V	$I_{OH} \leq 10mA$
	MOD output high	$V_{CC}-0.8$	-	-	V	$I_{OH} \leq 10mA$
$V_{OL}$	LED <sub>1-3</sub> , $\overline{ICTL}$ , output low	-	-	$V_{SS}+0.8V$	V	$I_{OL} \leq 10mA$
	MOD output low	-	-	$V_{SS}+0.8V$	V	$I_{OL} \leq 10mA$
	LCOM output low	-	-	$V_{SS}+0.5$	V	$I_{OL} \leq 30mA$
$I_{OH}$	LED <sub>1-3</sub> , $\overline{ICTL}$ , source	-10	-	-	mA	$V_{OH} = V_{CC}-0.5V$
	MOD source	-5.0	-	-	mA	$V_{OH} = V_{CC}-0.5V$
$I_{OL}$	LED <sub>1-3</sub> , $\overline{ICTL}$ , sink	10	-	-	mA	$V_{OL} = V_{SS}+0.5V$
	MOD sink	5	-	-	mA	$V_{OL} = V_{SS}+0.8V$
	LCOM sink	30	-	-	mA	$V_{OL} = V_{SS}+0.5V$
$I_{IL}$	DSEL logic input low source	-	-	+30	$\mu A$	$V = V_{SS}$ to $V_{SS} + 0.3V$ , Note 2
	$I_{TERM}$ logic input low source	-	-	+70	$\mu A$	$V = V_{SS}$ to $V_{SS} + 0.3V$
$I_{IH}$	DSEL logic input high source	-30	-	-	$\mu A$	$V = V_{CC} - 0.3V$ to $V_{CC}$
	$I_{TERM}$ logic input high source	-70	-	-	$\mu A$	$V = V_{CC} - 0.3V$ to $V_{CC}$

- Notes:**
1. All voltages relative to  $V_{SS}$  except where noted.
  2. Conditions during initialization after  $V_{CC}$  applied.

# Not Recommended for New Designs (NRND)

## bq2054

---

### Impedance

Symbol	Parameter	Minimum	Typical	Maximum	Unit	Notes
R <sub>BATZ</sub>	BAT pin input impedance	50	-	-	MΩ	
R <sub>SNSZ</sub>	SNS pin input impedance	50	-	-	MΩ	
R <sub>TSZ</sub>	TS pin input impedance	50	-	-	MΩ	
R <sub>PROG1</sub>	Soft-programmed pull-up or pull-down resistor value (for programming)	-	-	10	kΩ	DSEL
R <sub>PROG2</sub>	Pull-up or pull-down resistor value	-	-	3	kΩ	I <sub>TERM</sub>
R <sub>MTO</sub>	Charge timer resistor	20	-	480	kΩ	

### Timing (T<sub>A</sub> = T<sub>OPR</sub>; V<sub>CC</sub> = 5V ±10%)

Symbol	Parameter	Minimum	Typical	Maximum	Unit	Notes
t <sub>MTO</sub>	Charge time-out range	1	-	24	hours	See Figure 7
t <sub>QT</sub>	Pre-charge qual test time-out period	-	t <sub>MTO</sub>	-	-	
t <sub>HO</sub>	Termination hold-off period	1.14	-	1.52	sec.	
t <sub>IMIN</sub>	Min. current detect filter period	80		160	msec.	
F <sub>PWM</sub>	PWM regulator frequency range	-	100		kHz	C <sub>PWM</sub> = 0.001μF (equation 7)

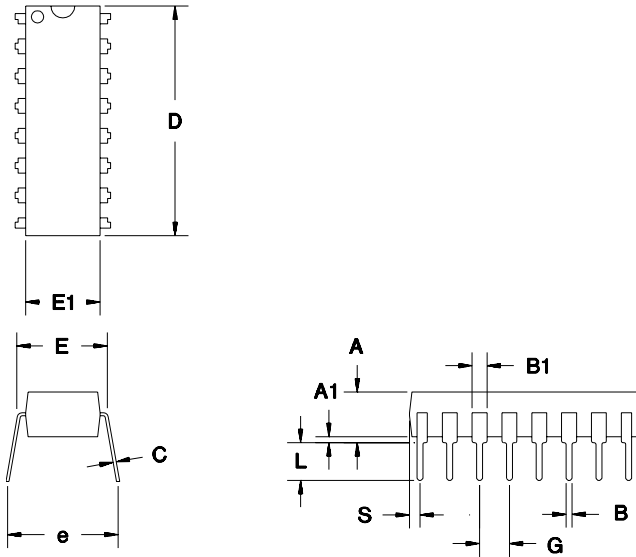
### Capacitance

Symbol	Parameter	Minimum	Typical	Maximum	Unit
C <sub>MTO</sub>	Charge timer capacitor	-	-	0.1	μF
C <sub>PWM</sub>	PWM R-C capacitance	-	0.001	-	μF

# Not Recommended for New Designs (NRND)

**bq2054**

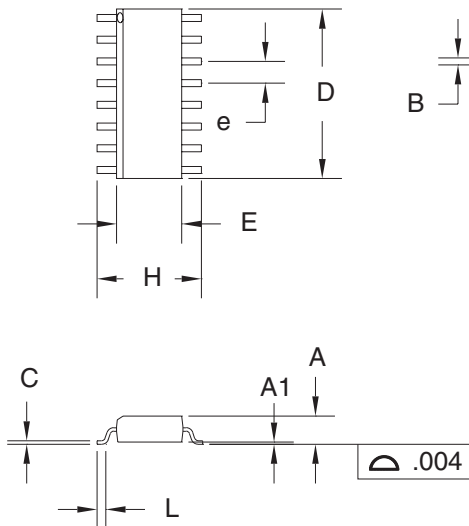
## 16-Pin DIP Narrow (PN)



### 16-Pin PN (0.300" DIP)

Dimension	Inches		Millimeters	
	Min.	Max.	Min.	Max.
A	0.160	0.180	4.06	4.57
A1	0.015	0.040	0.38	1.02
B	0.015	0.022	0.38	0.56
B1	0.055	0.065	1.40	1.65
C	0.008	0.013	0.20	0.33
D	0.740	0.770	18.80	19.56
E	0.300	0.325	7.62	8.26
E1	0.230	0.280	5.84	7.11
e	0.300	0.370	7.62	9.40
G	0.090	0.110	2.29	2.79
L	0.115	0.150	2.92	3.81
S	0.020	0.040	0.51	1.02

## 16-Pin SOIC Narrow (SN)



### 16-Pin SN (0.150" SOIC)

Dimension	Inches		Millimeters	
	Min.	Max.	Min.	Max.
A	0.060	0.070	1.52	1.78
A1	0.004	0.010	0.10	0.25
B	0.013	0.020	0.33	0.51
C	0.007	0.010	0.18	0.25
D	0.385	0.400	9.78	10.16
E	0.150	0.160	3.81	4.06
e	0.045	0.055	1.14	1.40
H	0.225	0.245	5.72	6.22
L	0.015	0.035	0.38	0.89

# Not Recommended for New Designs (NRND)

**bq2054**

## Data Sheet Revision History

Change No.	Page No.	Description	Nature of Change
1	5, 7, 8, 10	Value Change	Changed $V_{SNS}$ and $I_{MAX}$
2	5, 10	Value Change	Changed $V_{REF}$
3	10	Coefficient Addition	Temperature coefficient added
4	5	New state diagram	Diagram inserted
4	1, 2, 8, 12	NC pin replaced with $\overline{ICTL}$	
4	3, 5, 13	Termination hold-off period added $I_{MIN}$ detect filtering added	
5	11	$V_{HCO}$ Rating changed to 2.3V $V_{HCO}$ Tolerance changed to 1%	Changed values for $V_{HCO}$
6	13	$t_{QT}$ in Timing Specifications	$t_{QT}$ changed from $(0.16 * t_{MTO})$ to $t_{MTO}$
7	5	$I_{TERM}$ in Table 2	Z changes to Float
7	8	Figure 6	RB1 and RB2 changed to RT1 and RT2
8	10	$T_{OPR}$	Deleted industrial temperature range.

**Notes:** Change 3 = April 1996 C changes from Dec. 1995 B.  
Change 4 = Sept. 1996 D changes from April 1996 C.  
Change 5 = Nov. 1996 E changes from Sept. 1996 D.  
Change 6 = Oct. 1997 F changes from Nov. 1996 E.  
Change 7 = Oct. 1997 G changes from Oct. 1997 F.  
Change 8 = June 1999 H changes from Oct. 1997 G.

## Ordering Information

**bq2054**

- Package Option:
  - PN = 16-pin plastic DIP
  - SN = 16-pin narrow SOIC
- Device:
  - bq2054 Li-Ion Fast-Charge IC

**PACKAGING INFORMATION**

Orderable Device	Status (1)	Package Type	Package Drawing	Pins	Package Qty	Eco Plan (2)	Lead/Ball Finish (6)	MSL Peak Temp (3)	Op Temp (°C)	Device Marking (4/5)	Samples
BQ2054PN	NRND	PDIP	N	16	25	Pb-Free (RoHS)	CU NIPDAU	N / A for Pkg Type	0 to 0	2054PN-G	
BQ2054PNE4	NRND	PDIP	N	16	25	Pb-Free (RoHS)	CU NIPDAU	N / A for Pkg Type	0 to 0	2054PN-G	
BQ2054SN	NRND	SOIC	D	16	40	Green (RoHS & no Sb/Br)	CU NIPDAU	Level-1-260C-UNLIM	0 to 0	2054 (-G, G)	
BQ2054SNTR	NRND	SOIC	D	16	2500	Green (RoHS & no Sb/Br)	CU NIPDAU	Level-1-260C-UNLIM		2054 (-G, G)	

(1) The marketing status values are defined as follows:

**ACTIVE:** Product device recommended for new designs.

**LIFEBUY:** TI has announced that the device will be discontinued, and a lifetime-buy period is in effect.

**NRND:** Not recommended for new designs. Device is in production to support existing customers, but TI does not recommend using this part in a new design.

**PREVIEW:** Device has been announced but is not in production. Samples may or may not be available.

**OBSOLETE:** TI has discontinued the production of the device.

(2) **RoHS:** TI defines "RoHS" to mean semiconductor products that are compliant with the current EU RoHS requirements for all 10 RoHS substances, including the requirement that RoHS substance do not exceed 0.1% by weight in homogeneous materials. Where designed to be soldered at high temperatures, "RoHS" products are suitable for use in specified lead-free processes. TI may reference these types of products as "Pb-Free".

**RoHS Exempt:** TI defines "RoHS Exempt" to mean products that contain lead but are compliant with EU RoHS pursuant to a specific EU RoHS exemption.

**Green:** TI defines "Green" to mean the content of Chlorine (Cl) and Bromine (Br) based flame retardants meet JS709B low halogen requirements of <=1000ppm threshold. Antimony trioxide based flame retardants must also meet the <=1000ppm threshold requirement.

(3) MSL, Peak Temp. - The Moisture Sensitivity Level rating according to the JEDEC industry standard classifications, and peak solder temperature.

(4) There may be additional marking, which relates to the logo, the lot trace code information, or the environmental category on the device.

(5) Multiple Device Markings will be inside parentheses. Only one Device Marking contained in parentheses and separated by a "-" will appear on a device. If a line is indented then it is a continuation of the previous line and the two combined represent the entire Device Marking for that device.

(6) Lead/Ball Finish - Orderable Devices may have multiple material finish options. Finish options are separated by a vertical ruled line. Lead/Ball Finish values may wrap to two lines if the finish value exceeds the maximum column width.

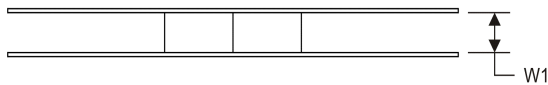
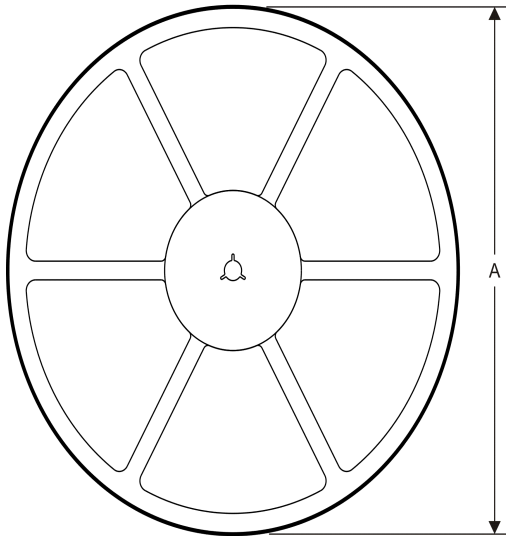
**Important Information and Disclaimer:** The information provided on this page represents TI's knowledge and belief as of the date that it is provided. TI bases its knowledge and belief on information provided by third parties, and makes no representation or warranty as to the accuracy of such information. Efforts are underway to better integrate information from third parties. TI has taken and

continues to take reasonable steps to provide representative and accurate information but may not have conducted destructive testing or chemical analysis on incoming materials and chemicals. TI and TI suppliers consider certain information to be proprietary, and thus CAS numbers and other limited information may not be available for release.

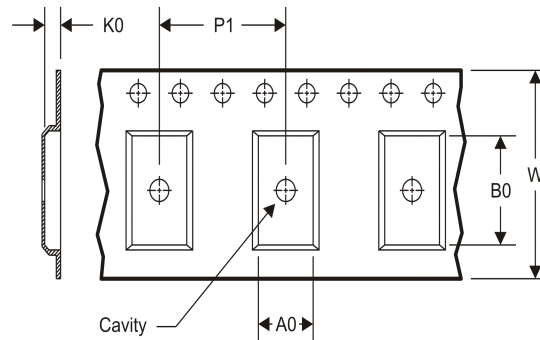
In no event shall TI's liability arising out of such information exceed the total purchase price of the TI part(s) at issue in this document sold by TI to Customer on an annual basis.

TAPE AND REEL INFORMATION

REEL DIMENSIONS



TAPE DIMENSIONS



A0	Dimension designed to accommodate the component width
B0	Dimension designed to accommodate the component length
K0	Dimension designed to accommodate the component thickness
W	Overall width of the carrier tape
P1	Pitch between successive cavity centers

TAPE AND REEL INFORMATION

\*All dimensions are nominal

Device	Package Type	Package Drawing	Pins	SPQ	Reel Diameter (mm)	Reel Width W1 (mm)	A0 (mm)	B0 (mm)	K0 (mm)	P1 (mm)	W (mm)	Pin1 Quadrant
BQ2054SNTR	SOIC	D	16	2500	330.0	16.4	6.5	10.3	2.1	8.0	16.0	Q1

TAPE AND REEL BOX DIMENSIONS



\*All dimensions are nominal

Device	Package Type	Package Drawing	Pins	SPQ	Length (mm)	Width (mm)	Height (mm)
BQ2054SNTR	SOIC	D	16	2500	367.0	367.0	38.0

D (R-PDSO-G16)

PLASTIC SMALL OUTLINE



- NOTES:
- A. All linear dimensions are in inches (millimeters).
  - B. This drawing is subject to change without notice.
  - C. Body length does not include mold flash, protrusions, or gate burrs. Mold flash, protrusions, or gate burrs shall not exceed 0.006 (0,15) each side.
  - D. Body width does not include interlead flash. Interlead flash shall not exceed 0.017 (0,43) each side.
  - E. Reference JEDEC MS-012 variation AC.

D (R-PDSO-G16)

PLASTIC SMALL OUTLINE



4211283-4/E 08/12

- NOTES:
- All linear dimensions are in millimeters.
  - This drawing is subject to change without notice.
  - Publication IPC-7351 is recommended for alternate designs.
  - Laser cutting apertures with trapezoidal walls and also rounding corners will offer better paste release. Customers should contact their board assembly site for stencil design recommendations. Refer to IPC-7525 for other stencil recommendations.
  - Customers should contact their board fabrication site for solder mask tolerances between and around signal pads.

N (R-PDIP-T\*\*)

PLASTIC DUAL-IN-LINE PACKAGE

16 PINS SHOWN



- NOTES:
- A. All linear dimensions are in inches (millimeters).
  - B. This drawing is subject to change without notice.
  - $\triangle C$  Falls within JEDEC MS-001, except 18 and 20 pin minimum body length (Dim A).
  - $\triangle D$  The 20 pin end lead shoulder width is a vendor option, either half or full width.

4040049/E 12/2002

## IMPORTANT NOTICE

Texas Instruments Incorporated (TI) reserves the right to make corrections, enhancements, improvements and other changes to its semiconductor products and services per JESD46, latest issue, and to discontinue any product or service per JESD48, latest issue. Buyers should obtain the latest relevant information before placing orders and should verify that such information is current and complete.

TI's published terms of sale for semiconductor products (<http://www.ti.com/sc/docs/stdterms.htm>) apply to the sale of packaged integrated circuit products that TI has qualified and released to market. Additional terms may apply to the use or sale of other types of TI products and services.

Reproduction of significant portions of TI information in TI data sheets is permissible only if reproduction is without alteration and is accompanied by all associated warranties, conditions, limitations, and notices. TI is not responsible or liable for such reproduced documentation. Information of third parties may be subject to additional restrictions. Resale of TI products or services with statements different from or beyond the parameters stated by TI for that product or service voids all express and any implied warranties for the associated TI product or service and is an unfair and deceptive business practice. TI is not responsible or liable for any such statements.

Buyers and others who are developing systems that incorporate TI products (collectively, "Designers") understand and agree that Designers remain responsible for using their independent analysis, evaluation and judgment in designing their applications and that Designers have full and exclusive responsibility to assure the safety of Designers' applications and compliance of their applications (and of all TI products used in or for Designers' applications) with all applicable regulations, laws and other applicable requirements. Designer represents that, with respect to their applications, Designer has all the necessary expertise to create and implement safeguards that (1) anticipate dangerous consequences of failures, (2) monitor failures and their consequences, and (3) lessen the likelihood of failures that might cause harm and take appropriate actions. Designer agrees that prior to using or distributing any applications that include TI products, Designer will thoroughly test such applications and the functionality of such TI products as used in such applications.

TI's provision of technical, application or other design advice, quality characterization, reliability data or other services or information, including, but not limited to, reference designs and materials relating to evaluation modules, (collectively, "TI Resources") are intended to assist designers who are developing applications that incorporate TI products; by downloading, accessing or using TI Resources in any way, Designer (individually or, if Designer is acting on behalf of a company, Designer's company) agrees to use any particular TI Resource solely for this purpose and subject to the terms of this Notice.

TI's provision of TI Resources does not expand or otherwise alter TI's applicable published warranties or warranty disclaimers for TI products, and no additional obligations or liabilities arise from TI providing such TI Resources. TI reserves the right to make corrections, enhancements, improvements and other changes to its TI Resources. TI has not conducted any testing other than that specifically described in the published documentation for a particular TI Resource.

Designer is authorized to use, copy and modify any individual TI Resource only in connection with the development of applications that include the TI product(s) identified in such TI Resource. NO OTHER LICENSE, EXPRESS OR IMPLIED, BY ESTOPPEL OR OTHERWISE TO ANY OTHER TI INTELLECTUAL PROPERTY RIGHT, AND NO LICENSE TO ANY TECHNOLOGY OR INTELLECTUAL PROPERTY RIGHT OF TI OR ANY THIRD PARTY IS GRANTED HEREIN, including but not limited to any patent right, copyright, mask work right, or other intellectual property right relating to any combination, machine, or process in which TI products or services are used. Information regarding or referencing third-party products or services does not constitute a license to use such products or services, or a warranty or endorsement thereof. Use of TI Resources may require a license from a third party under the patents or other intellectual property of the third party, or a license from TI under the patents or other intellectual property of TI.

TI RESOURCES ARE PROVIDED "AS IS" AND WITH ALL FAULTS. TI DISCLAIMS ALL OTHER WARRANTIES OR REPRESENTATIONS, EXPRESS OR IMPLIED, REGARDING RESOURCES OR USE THEREOF, INCLUDING BUT NOT LIMITED TO ACCURACY OR COMPLETENESS, TITLE, ANY EPIDEMIC FAILURE WARRANTY AND ANY IMPLIED WARRANTIES OF MERCHANTABILITY, FITNESS FOR A PARTICULAR PURPOSE, AND NON-INFRINGEMENT OF ANY THIRD PARTY INTELLECTUAL PROPERTY RIGHTS. TI SHALL NOT BE LIABLE FOR AND SHALL NOT DEFEND OR INDEMNIFY DESIGNER AGAINST ANY CLAIM, INCLUDING BUT NOT LIMITED TO ANY INFRINGEMENT CLAIM THAT RELATES TO OR IS BASED ON ANY COMBINATION OF PRODUCTS EVEN IF DESCRIBED IN TI RESOURCES OR OTHERWISE. IN NO EVENT SHALL TI BE LIABLE FOR ANY ACTUAL, DIRECT, SPECIAL, COLLATERAL, INDIRECT, PUNITIVE, INCIDENTAL, CONSEQUENTIAL OR EXEMPLARY DAMAGES IN CONNECTION WITH OR ARISING OUT OF TI RESOURCES OR USE THEREOF, AND REGARDLESS OF WHETHER TI HAS BEEN ADVISED OF THE POSSIBILITY OF SUCH DAMAGES.

Unless TI has explicitly designated an individual product as meeting the requirements of a particular industry standard (e.g., ISO/TS 16949 and ISO 26262), TI is not responsible for any failure to meet such industry standard requirements.

Where TI specifically promotes products as facilitating functional safety or as compliant with industry functional safety standards, such products are intended to help enable customers to design and create their own applications that meet applicable functional safety standards and requirements. Using products in an application does not by itself establish any safety features in the application. Designers must ensure compliance with safety-related requirements and standards applicable to their applications. Designer may not use any TI products in life-critical medical equipment unless authorized officers of the parties have executed a special contract specifically governing such use. Life-critical medical equipment is medical equipment where failure of such equipment would cause serious bodily injury or death (e.g., life support, pacemakers, defibrillators, heart pumps, neurostimulators, and implantables). Such equipment includes, without limitation, all medical devices identified by the U.S. Food and Drug Administration as Class III devices and equivalent classifications outside the U.S.

TI may expressly designate certain products as completing a particular qualification (e.g., Q100, Military Grade, or Enhanced Product). Designers agree that it has the necessary expertise to select the product with the appropriate qualification designation for their applications and that proper product selection is at Designers' own risk. Designers are solely responsible for compliance with all legal and regulatory requirements in connection with such selection.

Designer will fully indemnify TI and its representatives against any damages, costs, losses, and/or liabilities arising out of Designer's non-compliance with the terms and provisions of this Notice.

## Looking for pricing, stock, or lifecycle information?

Click below to explore more details on WIN SOURCE:

 [View BQ2054PN](#) on WIN SOURCE

 [Texas Instruments](#) Information

## Optimize Your Supply Chain with WIN SOURCE Solutions

-  Global Sourcing Solution
-  Obsolete Management
-  Cost Control Management
-  Shortage Management
-  Alternative Solution
-  Excess Inventory Management