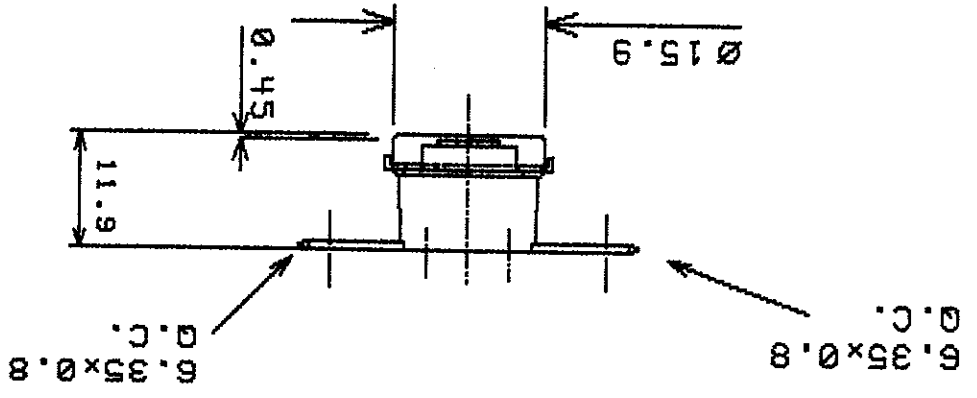
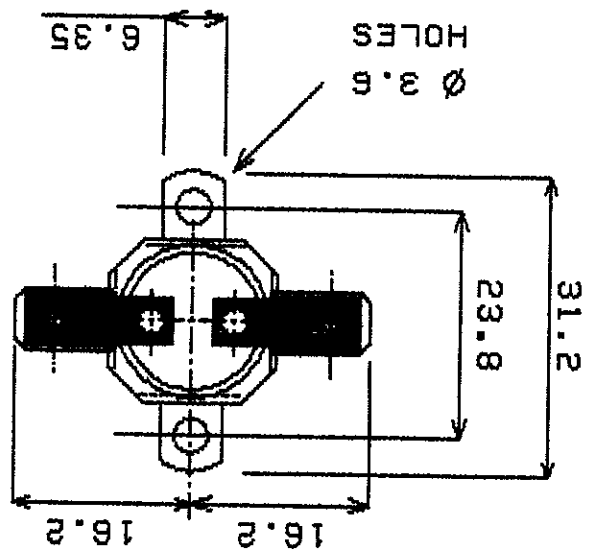


DO NOT SCALE ALL DIMENSIONS ARE FOR REFERENCE ONLY



OPERATING CRITERIA

VOLTS: 240 AMPS: 10 HZ:

OPERATING TEMPS. DEG.C

OPEN: 50 ± 3

CLOSE: 35 ± 5

ISSUE	MOD No	DATE	1/98	7/98					
A	2052	2052							
B									

ELMWOOD DEVICE & UNIQUE PART N°

2455RP-9100-433

ELMWOOD DRG No.

965201

ISSUE

B

E
ELMWOOD
SENSORS LTD

DATE OF ISSUE STAMP
~~7 JUL 1998~~

CODING REQUIREMENTS

COLOUR: LASER CODE

L50C RP 9100 433 XXX

(XXX = DATE CODING)

CAP: 8208 MAT'L: ALUMINIUM

BRK/T: 8203S MAT'L: STEEL

PLATING: NICKEL

TERMINAL: T146

MATERIAL: BRASS

PLATING:

NOTE! ORIENTATION OF BRACKET IS NOT FIXED

Looking for pricing, stock, or lifecycle information?

Click below to explore more details on WIN SOURCE:

 [View 2455RP-91000433 on WIN SOURCE](#)

 [Honeywell Information](#)

Optimize Your Supply Chain with WIN SOURCE Solutions

-  Global Sourcing Solution
-  Obsolete Management
-  Cost Control Management
-  Shortage Management
-  Alternative Solution
-  Excess Inventory Management