



**THE DATASHEET OF  
3RA69400A**





Adapter for screw mounting

**General technical data**

product brand name		SIRIUS
product designation		adapter for screw fixing
relative humidity during operation	%	10 ... 90
ambient temperature		
• during transport	°C	-55 ... +80
• during storage	°C	-55 ... +80
• during operation	°C	-20 ... +60
reference code acc. to DIN EN 61346-2		U

**Installation/ mounting/ dimensions**

width	mm	26
height	mm	23
depth	mm	45

**Certificates/ approvals**

certificate of suitability	IEC / EN 60947-6-2	
General Product Approval	EMC	Declaration of Conformity



[Miscellaneous](#)



**Shipping Approval**



**other**

[Confirmation](#)

## Further information

Information- and Downloadcenter (Catalogs, Brochures,...)

<https://www.siemens.com/ic10>

Industry Mall (Online ordering system)

<https://mall.industry.siemens.com/mall/en/en/Catalog/product?mlfb=3RA6940-0A>

Cax online generator

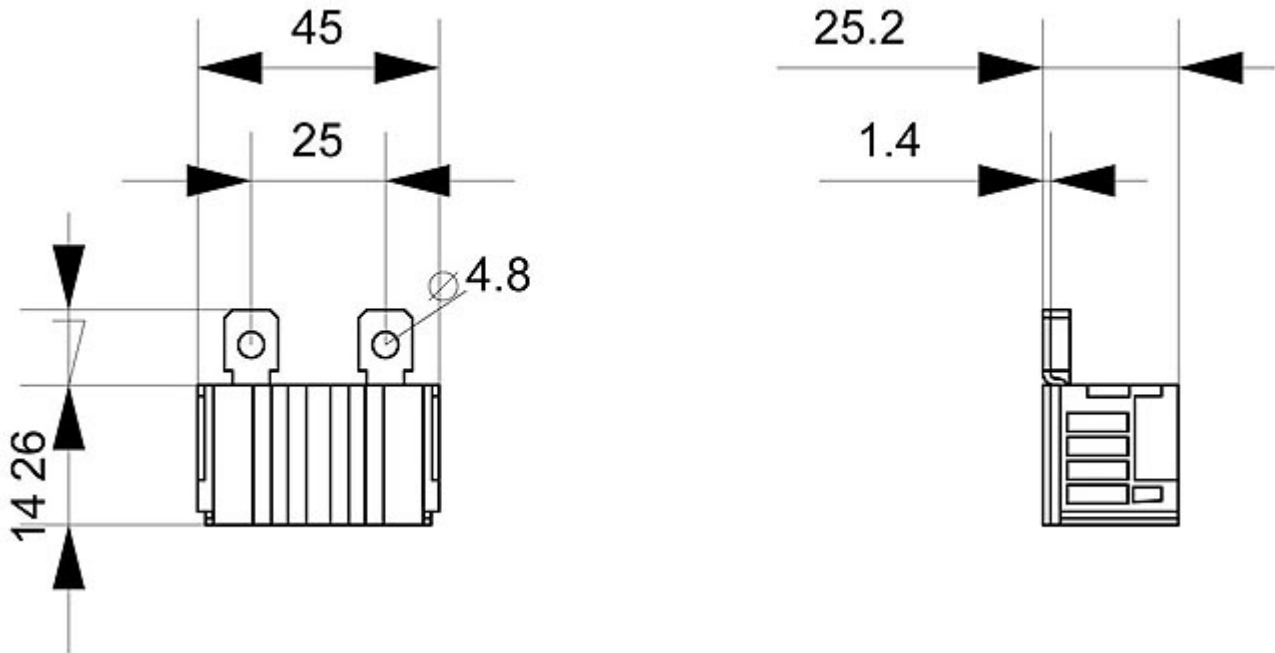
<http://support.automation.siemens.com/WW/CAXorder/default.aspx?lang=en&mlfb=3RA6940-0A>

Service&Support (Manuals, Certificates, Characteristics, FAQs,...)

<https://support.industry.siemens.com/cs/ww/en/ps/3RA6940-0A>

Image database (product images, 2D dimension drawings, 3D models, device circuit diagrams, EPLAN macros, ...)

[http://www.automation.siemens.com/bilddb/cax\\_de.aspx?mlfb=3RA6940-0A&lang=en](http://www.automation.siemens.com/bilddb/cax_de.aspx?mlfb=3RA6940-0A&lang=en)





last modified:

5/15/2020 

## Looking for pricing, stock, or lifecycle information?

Click below to explore more details on WIN SOURCE:

-  [View 3RA69400A on WIN SOURCE](#)
-  [Siemens Information](#)

## Optimize Your Supply Chain with WIN SOURCE Solutions

-  Global Sourcing Solution
-  Obsolete Management
-  Cost Control Management
-  Shortage Management
-  Alternative Solution
-  Excess Inventory Management