



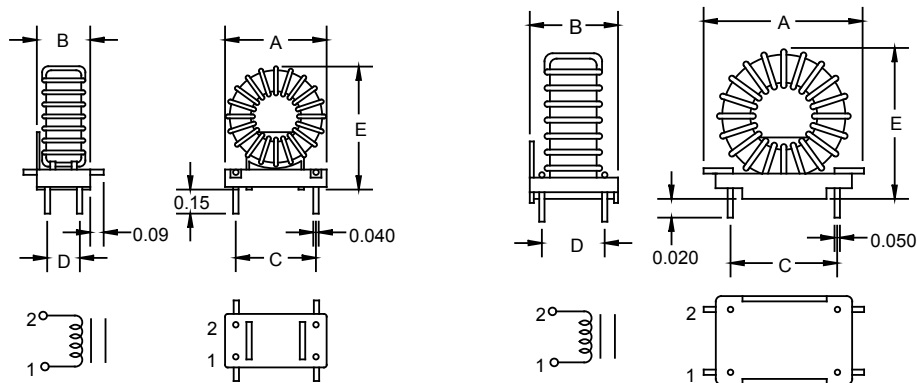
# High Current Toroid Inductors (with header)

## Special Features

- Low radiation
- High current capacity
- High inductance
- Mounted on VW-1 rated header
- Fixed pins for easy PCB insertion
- Operating temperature:  
-55 - +105°C

| 6700 Series |                |       |                   |           |        |        |        |        |        |
|-------------|----------------|-------|-------------------|-----------|--------|--------|--------|--------|--------|
| Part Number | L (μH)         | I (A) | L (μH)            | DCR       | Dim. A | Dim. B | Dim. C | Dim. D | Dim. E |
|             | ±15%<br>@ 1KHz | Max.  | Min.<br>@ I rated | Ω<br>Max. | Max.   | Max.   | ±0.015 | ±0.015 | Max.   |
| 6701        | 10             | 11.0  | 5                 | 0.008     | 0.875  | 0.425  | 0.600  | 0.250  | 1.00   |
| 6702        | 25             | 5.50  | 12                | 0.014     | 0.875  | 0.425  | 0.600  | 0.250  | 1.00   |
| 6703        | 125            | 2.75  | 70                | 0.12      | 0.875  | 0.425  | 0.600  | 0.250  | 1.00   |
| 6704        | 275            | 2.00  | 150               | 0.24      | 0.875  | 0.425  | 0.600  | 0.250  | 1.00   |
| 6705        | 450            | 1.50  | 250               | 0.49      | 0.875  | 0.425  | 0.600  | 0.250  | 1.00   |
| 6706        | 25             | 9.00  | 15                | 0.012     | 1.125  | 0.600  | 0.800  | 0.400  | 1.25   |
| 6707        | 75             | 5.00  | 40                | 0.04      | 1.125  | 0.600  | 0.800  | 0.400  | 1.25   |
| 6708        | 400            | 2.25  | 225               | 0.33      | 1.125  | 0.600  | 0.800  | 0.400  | 1.25   |
| 6709        | 800            | 1.75  | 475               | 0.64      | 1.125  | 0.600  | 0.800  | 0.400  | 1.25   |
| 6710        | 1000           | 1.50  | 675               | 0.98      | 1.125  | 0.600  | 0.800  | 0.400  | 1.25   |
| 6711        | 50             | 9.50  | 25                | 0.012     | 1.250  | 0.800  | 0.900  | 0.600  | 1.375  |
| 6712        | 150            | 4.75  | 85                | 0.046     | 1.250  | 0.800  | 0.900  | 0.600  | 1.375  |
| 6713        | 700            | 2.25  | 400               | 0.42      | 1.250  | 0.800  | 0.900  | 0.600  | 1.375  |
| 6714        | 1250           | 1.75  | 750               | 0.85      | 1.250  | 0.800  | 0.900  | 0.600  | 1.375  |
| 6715        | 1600           | 1.50  | 950               | 1.27      | 1.250  | 0.800  | 0.900  | 0.600  | 1.375  |
| 6716        | 125            | 7.75  | 65                | 0.032     | 1.812  | 0.900  | 1.200  | 0.700  | 1.95   |
| 6717        | 500            | 4.00  | 275               | 0.15      | 1.812  | 0.900  | 1.200  | 0.700  | 1.95   |
| 6718        | 1100           | 2.50  | 650               | 0.33      | 1.812  | 0.900  | 1.200  | 0.700  | 1.95   |
| 6719        | 2250           | 1.75  | 1350              | 0.92      | 1.812  | 0.900  | 1.200  | 0.700  | 1.95   |
| 6720        | 4500           | 1.25  | 2700              | 2.64      | 1.812  | 0.900  | 1.200  | 0.700  | 1.95   |
| 6721        | 250            | 8.00  | 125               | 0.041     | 2.125  | 1.100  | 1.500  | 0.900  | 2.25   |
| 6722        | 900            | 3.75  | 500               | 0.175     | 2.125  | 1.100  | 1.500  | 0.900  | 2.25   |
| 6723        | 1800           | 2.50  | 1000              | 0.55      | 2.125  | 1.100  | 1.500  | 0.900  | 2.25   |
| 6724        | 4000           | 1.75  | 2100              | 1.16      | 2.125  | 1.100  | 1.500  | 0.900  | 2.25   |
| 6725        | 8000           | 1.00  | 4500              | 3.34      | 2.125  | 1.100  | 1.500  | 0.900  | 2.25   |
| 6726        | 25             | 2.50  | 16                | 0.040     | 0.550  | 0.425  | 0.600  | 0.250  | 1.00   |
| 6727        | 35             | 2.50  | 29                | 0.035     | 0.700  | 0.425  | 0.600  | 0.250  | 1.00   |
| 6728        | 50             | 2.50  | 35                | 0.060     | 0.750  | 0.425  | 0.600  | 0.250  | 1.00   |
| 6729        | 100            | 2.50  | 70                | 0.080     | 0.850  | 0.425  | 0.600  | 0.250  | 1.00   |
| 6730        | 70             | 3.00  | 50                | 0.050     | 0.850  | 0.425  | 0.600  | 0.250  | 1.00   |
| 6731        | 40             | 4.00  | 30                | 0.025     | 0.850  | 0.425  | 0.600  | 0.250  | 1.00   |

Also available as RoHS compliant.



6701-6705 & 6726-6731

6706-6725

Dimensions: Inches

**J.W. Miller**  
MAGNETICS

306 E. Alondra Blvd. Gardena, CA 90247-1059 • Phone (310) 515-1720 • FAX (310) 515-1962

www.jwmiller.com

## Looking for pricing, stock, or lifecycle information?

Click below to explore more details on WIN SOURCE:

 [View 6711-RC on WIN SOURCE](#)

 [Bourns Inc. Information](#)

## Optimize Your Supply Chain with WIN SOURCE Solutions

-  Global Sourcing Solution
-  Obsolete Management
-  Cost Control Management
-  Shortage Management
-  Alternative Solution
-  Excess Inventory Management