



**THE DATASHEET OF  
74ALVC14PW,118**





# 74ALVC14

Hex inverting Schmitt trigger

Rev. 7 — 12 January 2024

Product data sheet

## 1. General description

The 74ALVC14 is a hex inverter with Schmitt-trigger inputs.

This device is fully specified for partial power down applications using I<sub>OFF</sub>. The I<sub>OFF</sub> circuitry disables the output, preventing the potentially damaging backflow current through the device when it is powered down.

## 2. Features and benefits

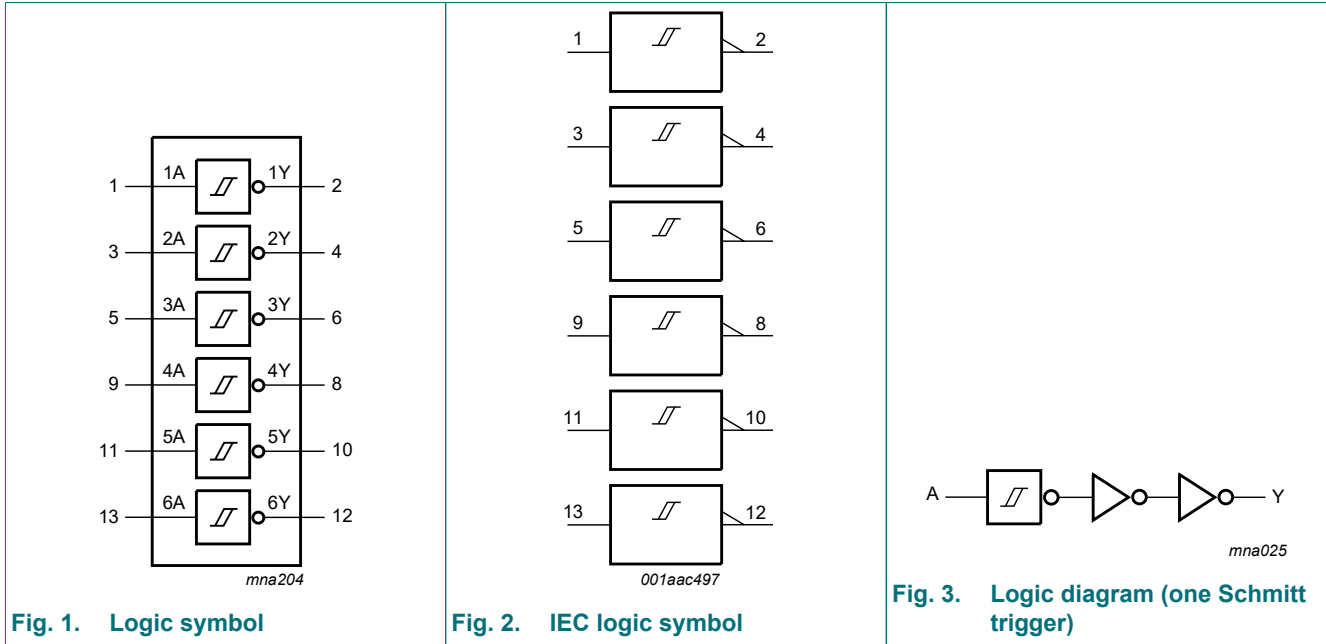
- Wide supply voltage range from 1.65 V to 3.6 V
- CMOS low power dissipation
- Overvoltage tolerant inputs to 3.6 V
- Direct interface with TTL levels
- I<sub>OFF</sub> circuitry provides partial Power-down mode operation
- Latch-up performance exceeds 250 mA per JESD78 Class II.A
- Complies with JEDEC standard:
  - JESD8-7 (1.65 V to 1.95 V)
  - JESD8-5 (2.3 V to 2.7 V)
  - JESD8C/JESD36 (2.7 V to 3.6 V)
- ESD protection:
  - HBM: ANSI/ESDA/JEDEC JS-001 class 2 exceeds 2000 V
  - CDM: ANSI/ESDA/JEDEC JS-002 class C3 exceeds 1000 V
- Multiple package options
- Specified from -40 °C to +85 °C and from -40 °C to +125 °C

## 3. Ordering information

Table 1. Ordering information

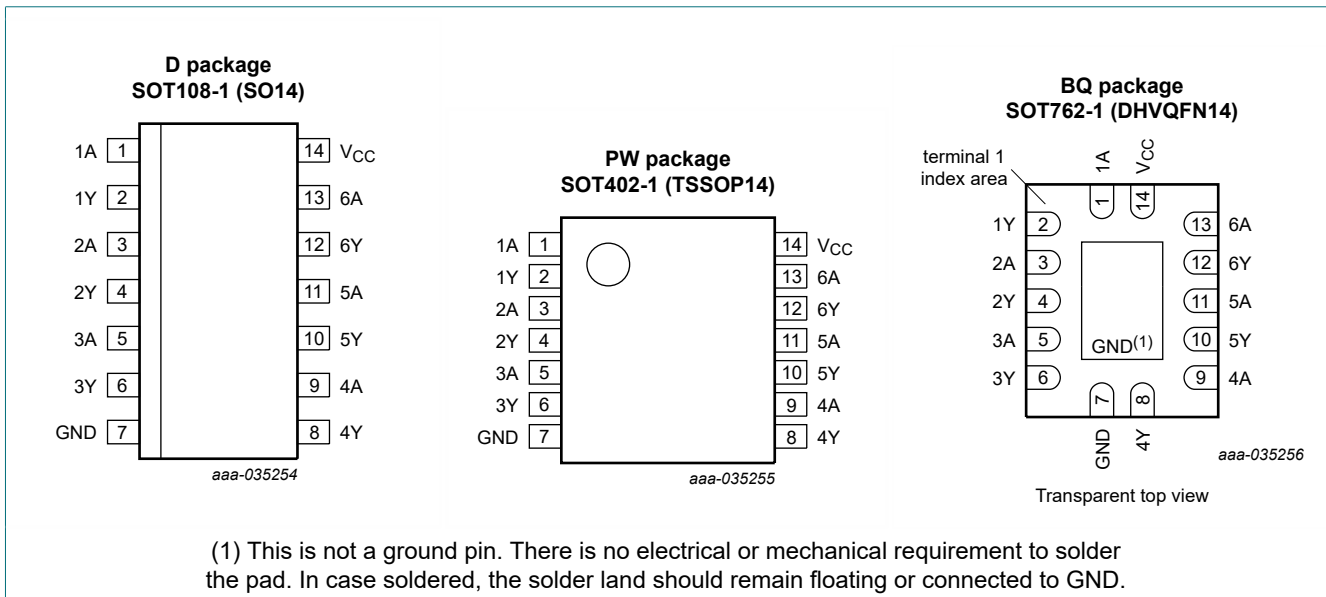
Type number	Package			Version
	Temperature range	Name	Description	
<a href="#">74ALVC14D</a>	-40 °C to +125 °C	SO14	plastic small outline package; 14 leads; body width 3.9 mm	<a href="#">SOT108-1</a>
<a href="#">74ALVC14PW</a>	-40 °C to +125 °C	TSSOP14	plastic thin shrink small outline package; 14 leads; body width 4.4 mm	<a href="#">SOT402-1</a>
<a href="#">74ALVC14BQ</a>	-40 °C to +125 °C	DHVQFN14	plastic dual in-line compatible thermal enhanced very thin quad flat package; no leads; 14 terminals; body 2.5 × 3 × 0.85 mm	<a href="#">SOT762-1</a>

### 4. Functional diagram



### 5. Pinning information

#### 5.1. Pinning



## 5.2. Pin description

Table 2. Pin description

Symbol	Pin	Description
1A, 2A, 3A, 4A, 5A, 6A	1, 3, 5, 9, 11, 13	data input
1Y, 2Y, 3Y, 4Y, 5Y, 6Y	2, 4, 6, 8, 10, 12	data output
GND	7	ground (0 V)
V <sub>CC</sub>	14	supply voltage

## 6. Functional description

Table 3. Function table

H = HIGH voltage level; L = LOW voltage level.

Input nA	Output nY
L	H
H	L

## 7. Limiting values

Table 4. Limiting values

In accordance with the Absolute Maximum Rating System (IEC 60134). Voltages are referenced to GND (ground = 0 V).

Symbol	Parameter	Conditions	Min	Max	Unit	
V <sub>CC</sub>	supply voltage		-0.5	+4.6	V	
V <sub>I</sub>	input voltage	[1]	-0.5	+4.6	V	
V <sub>O</sub>	output voltage	active mode	[1]	-0.5	V <sub>CC</sub> + 0.5	V
		power-down mode; V <sub>CC</sub> = 0 V		-0.5	+4.6	V
I <sub>IK</sub>	input clamping current	V <sub>I</sub> < 0 V	-	-50	mA	
I <sub>OK</sub>	output clamping current	V <sub>O</sub> > V <sub>CC</sub> or V <sub>O</sub> < 0 V	-	±50	mA	
I <sub>O(sink/source)</sub>	output sink or source current	V <sub>O</sub> = 0 V to V <sub>CC</sub>	-	±50	mA	
I <sub>CC</sub>	supply current		-	100	mA	
I <sub>GND</sub>	ground current		-100	-	mA	
T <sub>stg</sub>	storage temperature		-65	+150	°C	
P <sub>tot</sub>	total power dissipation	T <sub>amb</sub> = -40 °C to +125 °C	[2]	500	mW	

[1] The input and output voltage ratings may be exceeded if the input and output current ratings are observed.

[2] For SOT108-1 (SO14) package: P<sub>tot</sub> derates linearly with 10.1 mW/K above 100 °C.

For SOT402-1 (TSSOP14) package: P<sub>tot</sub> derates linearly with 7.3 mW/K above 81 °C.

For SOT762-1 (DHVQFN14) package: P<sub>tot</sub> derates linearly with 9.6 mW/K above 98 °C.

## 8. Recommended operating conditions

Table 5. Recommended operating conditions

Symbol	Parameter	Conditions	Min	Max	Unit
$V_{CC}$	supply voltage		1.65	3.6	V
$V_I$	input voltage		0	3.6	V
$V_O$	output voltage	$V_{CC} = 1.65$ to $3.6$ V	0	$V_{CC}$	V
		power-down mode; $V_{CC} = 0$ V	0	3.6	V
$T_{amb}$	ambient temperature	in free air	-40	+125	°C

## 9. Static characteristics

Table 6. Static characteristics

At recommended operating conditions; voltages are referenced to GND (ground = 0 V).

Symbol	Parameter	Conditions	-40 °C to +85 °C			-40 °C to +125 °C		Unit
			Min	Typ[1]	Max	Min	Max	
$V_{OH}$	HIGH-level output voltage	$V_I = V_{IH}$ or $V_{IL}$						
		$I_O = -100$ $\mu$ A; $V_{CC} = 1.65$ V to $3.6$ V	$V_{CC} - 0.2$	-	-	$V_{CC} - 0.2$	-	V
		$I_O = -6$ mA; $V_{CC} = 1.65$ V	1.25	1.51	-	1.25	-	V
		$I_O = -12$ mA; $V_{CC} = 2.3$ V	1.8	2.10	-	1.8	-	V
		$I_O = -18$ mA; $V_{CC} = 2.3$ V	1.7	2.01	-	1.7	-	V
		$I_O = -12$ mA; $V_{CC} = 2.7$ V;	2.2	2.53	-	2.2	-	V
		$I_O = -18$ mA; $V_{CC} = 3.0$ V	2.4	2.76	-	2.4	-	V
$V_{OL}$	LOW-level output voltage	$V_I = V_{IH}$ or $V_{IL}$						
		$I_O = 100$ $\mu$ A; $V_{CC} = 1.65$ V to $3.6$ V	-	-	0.2	-	0.2	V
		$I_O = 6$ mA; $V_{CC} = 1.65$ V	-	0.11	0.3	-	0.3	V
		$I_O = 12$ mA; $V_{CC} = 2.3$ V	-	0.17	0.4	-	0.4	V
		$I_O = 18$ mA; $V_{CC} = 2.3$ V	-	0.25	0.6	-	0.6	V
		$I_O = 12$ mA; $V_{CC} = 2.7$ V;	-	0.16	0.4	-	0.4	V
		$I_O = 18$ mA; $V_{CC} = 3.0$ V	-	0.23	0.4	-	0.45	V
$I_I$	input leakage current	$V_{CC} = 3.6$ V; $V_I = 3.6$ V or GND	-	$\pm 0.1$	$\pm 5$	-	$\pm 20$	$\mu$ A
		$V_{CC} = 0$ V; $V_I$ or $V_O = 3.6$ V	-	$\pm 0.1$	$\pm 10$	-	$\pm 80$	$\mu$ A
$I_{CC}$	supply current	$V_{CC} = 3.6$ V; $V_I = V_{CC}$ or GND; $I_O = 0$ A	-	0.2	10	-	80	$\mu$ A
$\Delta I_{CC}$	additional supply current	per input pin; $V_{CC} = 3.0$ V to $3.6$ V; $V_I = V_{CC} - 0.6$ V; $I_O = 0$ A	-	5	750	-	750	$\mu$ A
$C_I$	input capacitance		-	3.5	-	-	-	pF

[1] Typical values are measured at  $T_{amb} = 25$  °C.

## 10. Dynamic characteristics

**Table 7. Dynamic characteristics**

Voltages are referenced to GND (ground = 0 V). For test circuit, see Fig. 5.

Symbol	Parameter	Conditions	40 °C to +85 °C			-40 °C to +125 °C		Unit
			Min	Typ[1]	Max	Min	Max	
t <sub>pd</sub>	propagation delay	nA to nY; see Fig. 4 [2]						
		V <sub>CC</sub> = 1.65 V to 1.95 V	1.0	2.9	4.4	1.0	5.1	ns
		V <sub>CC</sub> = 2.3 V to 2.7 V	1.0	2.2	3.7	1.0	4.3	ns
		V <sub>CC</sub> = 2.7 V	1.0	2.8	3.9	1.0	4.5	ns
		V <sub>CC</sub> = 3.0 V to 3.6 V	1.0	2.4	3.4	1.0	3.9	ns
C <sub>PD</sub>	power dissipation capacitance	per inverter; V <sub>I</sub> = GND to V <sub>CC</sub> ; [3] V <sub>CC</sub> = 3.3 V	-	25	-	-	-	pF

[1] Typical values are measured at T<sub>amb</sub> = 25 °C and V<sub>CC</sub> = 1.8 V, 2.5 V, 2.7 V and 3.3 V respectively.

[2] t<sub>pd</sub> is the same as t<sub>PHL</sub> and t<sub>PLH</sub>.

[3] C<sub>PD</sub> is used to determine the dynamic power dissipation (P<sub>D</sub> in μW).

$$P_D = C_{PD} \times V_{CC}^2 \times f_i \times N + \Sigma(C_L \times V_{CC}^2 \times f_o) \text{ where:}$$

f<sub>i</sub> = input frequency in MHz;

f<sub>o</sub> = output frequency in MHz;

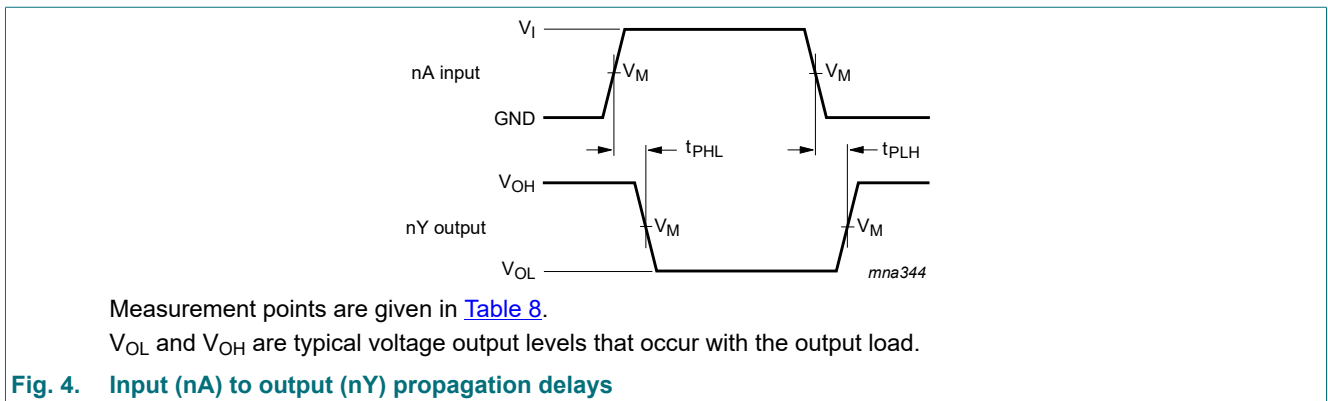
C<sub>L</sub> = output load capacitance in pF;

V<sub>CC</sub> = supply voltage in V;

N = number of inputs switching;

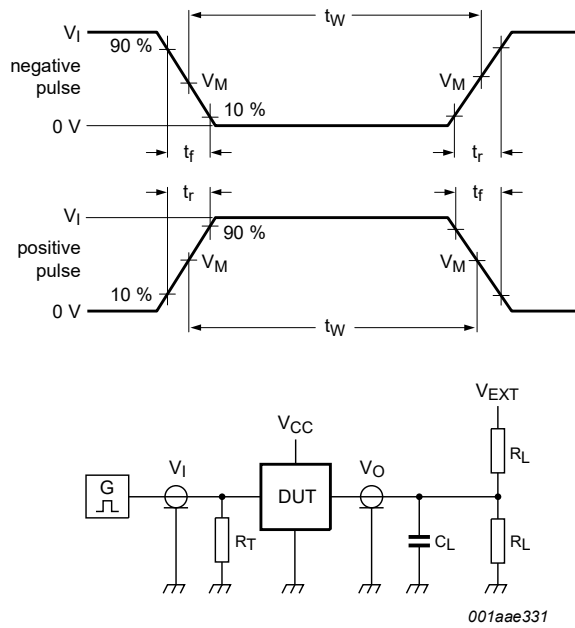
Σ(C<sub>L</sub> × V<sub>CC</sub><sup>2</sup> × f<sub>o</sub>) = sum of the outputs.

### 10.1. Waveforms and test circuit



**Table 8. Measurement points**

Supply voltage	Input		Output
V <sub>CC</sub>	V <sub>I</sub>	V <sub>M</sub>	V <sub>M</sub>
1.65 V to 1.95 V	V <sub>CC</sub>	0.5 × V <sub>CC</sub>	0.5 × V <sub>CC</sub>
2.3 V to 2.7 V	V <sub>CC</sub>	0.5 × V <sub>CC</sub>	0.5 × V <sub>CC</sub>
2.7 V	2.7 V	1.5 V	1.5 V
3.0 V to 3.6 V	2.7 V	1.5 V	1.5 V



Test data is given in [Table 9](#).

Definitions test circuit:

$R_T$  = Termination resistance should be equal to output impedance  $Z_o$  of the pulse generator;

$C_L$  = Load capacitance including jig and probe capacitance;

$R_L$  = Load resistance;

$V_{EXT}$  = Test voltage for switching times.

**Fig. 5. Test circuit for measuring switching times**

**Table 9. Test data**

Supply voltage	Input		Load		$V_{EXT}$
$V_{CC}$	$V_I$	$t_r, t_f$	$C_L$	$R_L$	$t_{PLH}, t_{PHL}$
1.65 V to 1.95 V	$V_{CC}$	$\leq 2.0$ ns	30 pF	1 k $\Omega$	open
2.3 V to 2.7 V	$V_{CC}$	$\leq 2.0$ ns	30 pF	500 $\Omega$	open
2.7 V	2.7 V	$\leq 2.5$ ns	50 pF	500 $\Omega$	open
3.0 V to 3.6 V	2.7 V	$\leq 2.5$ ns	50 pF	500 $\Omega$	open

## 11. Transfer characteristics

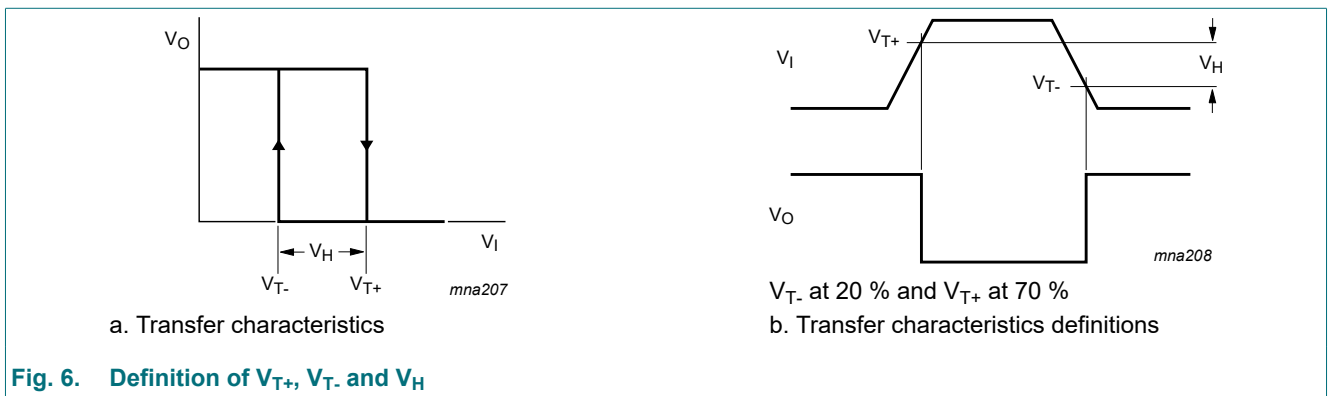
**Table 10. Transfer characteristics**

Voltages are referenced to GND (ground = 0 V); see Fig. 6.

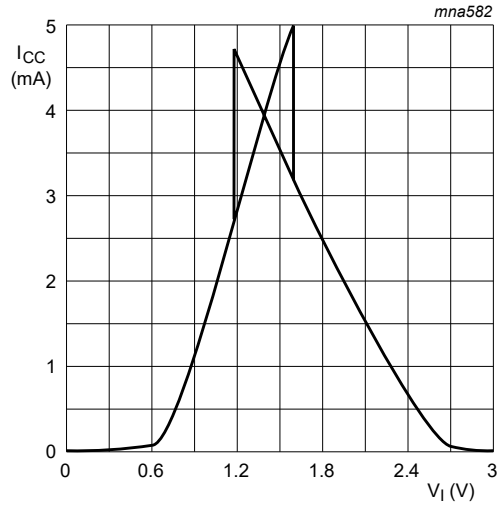
Symbol	Parameter	Conditions	-40 °C to +85 °C			-40 °C to +125 °C		Unit
			Min	Typ[1]	Max	Min	Max	
V <sub>T+</sub>	positive-going threshold voltage	V <sub>CC</sub> = 1.65 V	0.7	0.98	1.24	0.7	1.24	V
		V <sub>CC</sub> = 1.95 V	0.75	1.12	1.46	0.75	1.46	V
		V <sub>CC</sub> = 2.3 V	0.9	1.27	1.7	0.9	1.7	V
		V <sub>CC</sub> = 2.7 V	1.0	1.43	2.0	1.0	2.0	V
		V <sub>CC</sub> = 3.0 V [2]	1.1	1.56	2.0	1.1	2.0	V
		V <sub>CC</sub> = 3.6 V	1.1	1.81	2.0	1.1	2.0	V
V <sub>T-</sub>	negative-going threshold voltage	V <sub>CC</sub> = 1.65 V	0.41	0.64	0.9	0.41	0.9	V
		V <sub>CC</sub> = 1.95 V	0.49	0.76	1.1	0.49	1.1	V
		V <sub>CC</sub> = 2.3 V	0.6	0.90	1.3	0.6	1.3	V
		V <sub>CC</sub> = 2.7 V	0.7	1.06	1.4	0.7	1.4	V
		V <sub>CC</sub> = 3.0 V [2]	0.8	1.19	1.5	0.8	1.5	V
		V <sub>CC</sub> = 3.6 V	0.8	1.42	1.7	0.8	1.7	V
V <sub>H</sub>	hysteresis voltage	V <sub>CC</sub> = 1.65 V	0.25	0.34	0.62	0.25	0.62	V
		V <sub>CC</sub> = 1.95 V	0.25	0.36	0.62	0.25	0.62	V
		V <sub>CC</sub> = 2.3 V	0.3	0.36	1.0	0.3	1.0	V
		V <sub>CC</sub> = 2.7 V	0.3	0.38	1.1	0.3	1.1	V
		V <sub>CC</sub> = 3.0 V [2]	0.3	0.37	1.2	0.3	1.2	V
		V <sub>CC</sub> = 3.6 V	0.3	0.40	1.2	0.3	1.2	V

- [1] All typical values are measured at T<sub>amb</sub> = 25 °C.
- [2] The typical transfer characteristic is displayed in Fig. 7.

### 11.1. Transfer characteristics waveforms



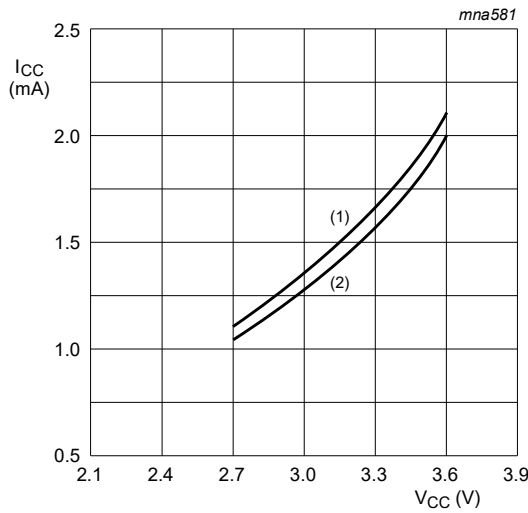
**Fig. 6. Definition of V<sub>T+</sub>, V<sub>T-</sub> and V<sub>H</sub>**



$V_{CC} = 3.0\text{ V}$

Fig. 7. Typical transfer characteristic

## 12. Application information



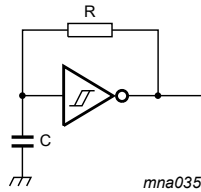
(1) Positive-going edge.

(2) Negative going-edge.

Linear change of  $V_I$  between 0.8 V to 2.0 V.

All values given are typical unless otherwise specified.

Fig. 8. Average supply current as a function of supply voltage



$$f = \frac{1}{T} \approx \frac{1}{0.8 \times RC} \text{ at } V_{CC} = 3.0\text{ V.}$$

Fig. 9. Relaxation oscillator

13. Package outline

SO14: plastic small outline package; 14 leads; body width 3.9 mm

SOT108-1



Fig. 10. Package outline SOT108-1 (SO14)

TSSOP14: plastic thin shrink small outline package; 14 leads; body width 4.4 mm

SOT402-1



Fig. 11. Package outline SOT402-1 (TSSOP14)

DHVQFN14: plastic dual in-line compatible thermal enhanced very thin quad flat package; no leads; 14 terminals; body 2.5 x 3 x 0.85 mm

SOT762-1

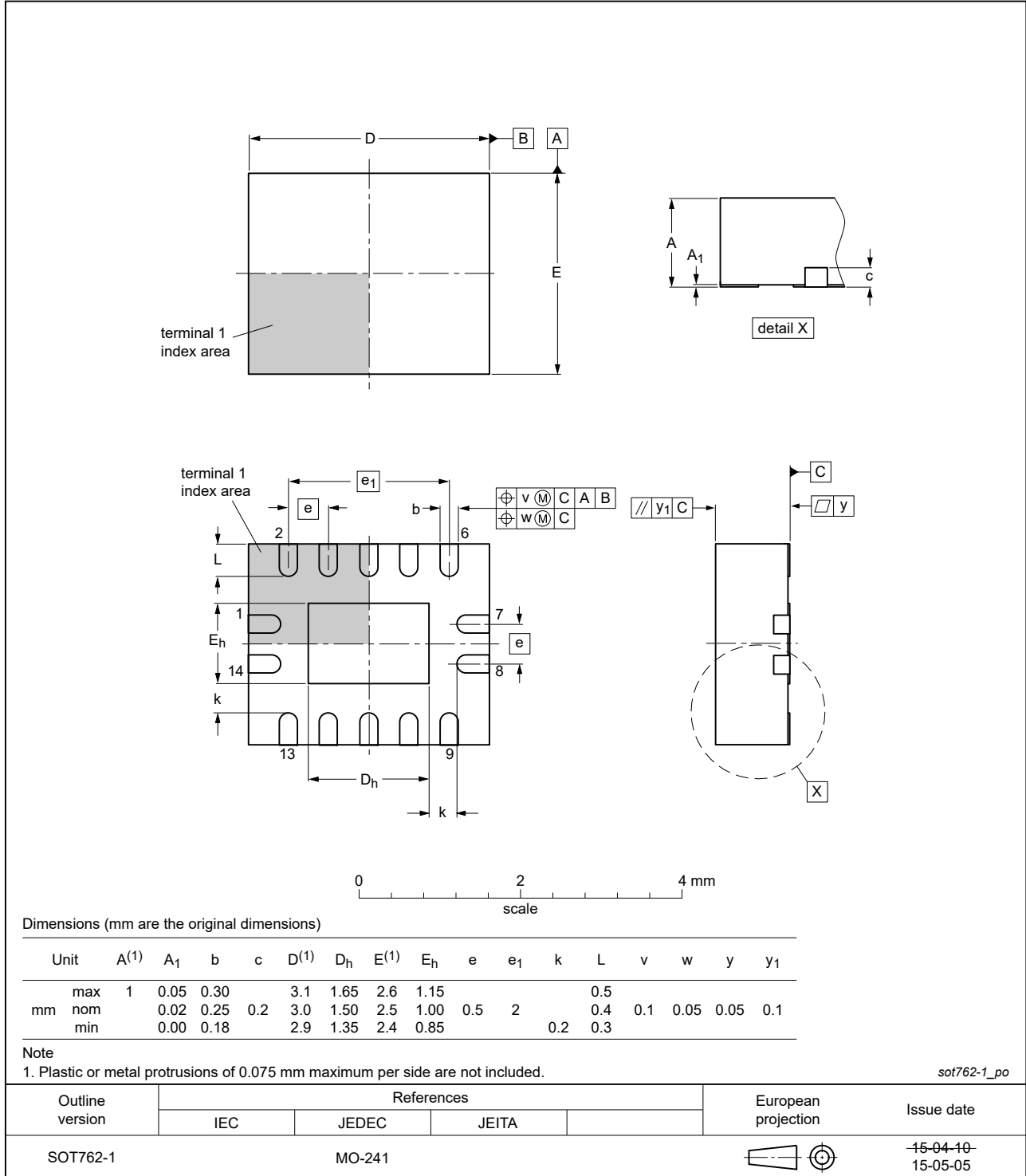


Fig. 12. Package outline SOT762-1 (DHVQFN14)

## 14. Abbreviations

Table 11. Abbreviations

Acronym	Description
CDM	Charged Device Model
CMOS	Complementary Metal-Oxide Semiconductor
DUT	Device Under Test
ESD	ElectroStatic Discharge
HBM	Human Body Model
TTL	Transistor-Transistor Logic

## 15. Revision history

Table 12. Revision history

Document ID	Release date	Data sheet status	Change notice	Supersedes
74ALVC14 v.7	20240112	Product data sheet	-	74ALVC14 v.6.1
Modifications:	<ul style="list-style-type: none"> <li><a href="#">Fig. 10</a>, <a href="#">Fig. 11</a>: Aligned SO and TSSOP package outline drawings to JEDEC MS-012 and MO-153</li> </ul>			
74ALVC14 v.6.1	20230714	Product data sheet	-	74ALVC14 v.5
Modifications:	<ul style="list-style-type: none"> <li><a href="#">Section 2</a> updated; ESD specification updated according to the latest JEDEC standard.</li> <li>Specifications added for <math>T_{amb} = -40\text{ °C}</math> to <math>+125\text{ °C}</math>.</li> </ul>			
74ALVC14 v.5	20210430	Product data sheet	-	74ALVC14 v.4
Modifications:	<ul style="list-style-type: none"> <li><a href="#">Section 1</a> updated.</li> <li><a href="#">Section 2</a>: Reference to JESD36 removed.</li> <li><a href="#">Section 7</a>: Derating values for <math>P_{tot}</math> total power dissipation have been updated.</li> </ul>			
74ALVC14 v.4	20180814	Product data sheet	-	74ALVC14 v.3
Modifications:	<ul style="list-style-type: none"> <li>The format of this data sheet has been redesigned to comply with the identity guidelines of Nexperia.</li> <li>Legal texts have been adapted to the new company name where appropriate.</li> </ul>			
74ALVC14 v.3	20050215	Product data sheet	-	74ALVC14 v.2
Modifications:	<ul style="list-style-type: none"> <li>The format of this data sheet is redesigned to comply with the current presentation and information standard of Philips Semiconductors.</li> <li>General text updates.</li> </ul>			
74ALVC14 v.2	20030514	Product specification	-	74ALVC14 v.1
74ALVC14 v.1	20030203	Product specification	-	-

## 16. Legal information

### Data sheet status

Document status [1][2]	Product status [3]	Definition
Objective [short] data sheet	Development	This document contains data from the objective specification for product development.
Preliminary [short] data sheet	Qualification	This document contains data from the preliminary specification.
Product [short] data sheet	Production	This document contains the product specification.

- [1] Please consult the most recently issued document before initiating or completing a design.
- [2] The term 'short data sheet' is explained in section "Definitions".
- [3] The product status of device(s) described in this document may have changed since this document was published and may differ in case of multiple devices. The latest product status information is available on the internet at <https://www.nexperia.com>.

### Definitions

**Draft** — The document is a draft version only. The content is still under internal review and subject to formal approval, which may result in modifications or additions. Nexperia does not give any representations or warranties as to the accuracy or completeness of information included herein and shall have no liability for the consequences of use of such information.

**Short data sheet** — A short data sheet is an extract from a full data sheet with the same product type number(s) and title. A short data sheet is intended for quick reference only and should not be relied upon to contain detailed and full information. For detailed and full information see the relevant full data sheet, which is available on request via the local Nexperia sales office. In case of any inconsistency or conflict with the short data sheet, the full data sheet shall prevail.

**Product specification** — The information and data provided in a Product data sheet shall define the specification of the product as agreed between Nexperia and its customer, unless Nexperia and customer have explicitly agreed otherwise in writing. In no event however, shall an agreement be valid in which the Nexperia product is deemed to offer functions and qualities beyond those described in the Product data sheet.

### Disclaimers

**Limited warranty and liability** — Information in this document is believed to be accurate and reliable. However, Nexperia does not give any representations or warranties, expressed or implied, as to the accuracy or completeness of such information and shall have no liability for the consequences of use of such information. Nexperia takes no responsibility for the content in this document if provided by an information source outside of Nexperia.

In no event shall Nexperia be liable for any indirect, incidental, punitive, special or consequential damages (including - without limitation - lost profits, lost savings, business interruption, costs related to the removal or replacement of any products or rework charges) whether or not such damages are based on tort (including negligence), warranty, breach of contract or any other legal theory.

Notwithstanding any damages that customer might incur for any reason whatsoever, Nexperia's aggregate and cumulative liability towards customer for the products described herein shall be limited in accordance with the Terms and conditions of commercial sale of Nexperia.

**Right to make changes** — Nexperia reserves the right to make changes to information published in this document, including without limitation specifications and product descriptions, at any time and without notice. This document supersedes and replaces all information supplied prior to the publication hereof.

**Suitability for use** — Nexperia products are not designed, authorized or warranted to be suitable for use in life support, life-critical or safety-critical systems or equipment, nor in applications where failure or malfunction of an Nexperia product can reasonably be expected to result in personal

injury, death or severe property or environmental damage. Nexperia and its suppliers accept no liability for inclusion and/or use of Nexperia products in such equipment or applications and therefore such inclusion and/or use is at the customer's own risk.

**Quick reference data** — The Quick reference data is an extract of the product data given in the Limiting values and Characteristics sections of this document, and as such is not complete, exhaustive or legally binding.

**Applications** — Applications that are described herein for any of these products are for illustrative purposes only. Nexperia makes no representation or warranty that such applications will be suitable for the specified use without further testing or modification.

Customers are responsible for the design and operation of their applications and products using Nexperia products, and Nexperia accepts no liability for any assistance with applications or customer product design. It is customer's sole responsibility to determine whether the Nexperia product is suitable and fit for the customer's applications and products planned, as well as for the planned application and use of customer's third party customer(s). Customers should provide appropriate design and operating safeguards to minimize the risks associated with their applications and products.

Nexperia does not accept any liability related to any default, damage, costs or problem which is based on any weakness or default in the customer's applications or products, or the application or use by customer's third party customer(s). Customer is responsible for doing all necessary testing for the customer's applications and products using Nexperia products in order to avoid a default of the applications and the products or of the application or use by customer's third party customer(s). Nexperia does not accept any liability in this respect.

**Limiting values** — Stress above one or more limiting values (as defined in the Absolute Maximum Ratings System of IEC 60134) will cause permanent damage to the device. Limiting values are stress ratings only and (proper) operation of the device at these or any other conditions above those given in the Recommended operating conditions section (if present) or the Characteristics sections of this document is not warranted. Constant or repeated exposure to limiting values will permanently and irreversibly affect the quality and reliability of the device.

**Terms and conditions of commercial sale** — Nexperia products are sold subject to the general terms and conditions of commercial sale, as published at <http://www.nexperia.com/profile/terms>, unless otherwise agreed in a valid written individual agreement. In case an individual agreement is concluded only the terms and conditions of the respective agreement shall apply. Nexperia hereby expressly objects to applying the customer's general terms and conditions with regard to the purchase of Nexperia products by customer.

**No offer to sell or license** — Nothing in this document may be interpreted or construed as an offer to sell products that is open for acceptance or the grant, conveyance or implication of any license under any copyrights, patents or other industrial or intellectual property rights.

**Export control** — This document as well as the item(s) described herein may be subject to export control regulations. Export might require a prior authorization from competent authorities.

**Non-automotive qualified products** — Unless this data sheet expressly states that this specific Nexperia product is automotive qualified, the product is not suitable for automotive use. It is neither qualified nor tested in accordance with automotive testing or application requirements. Nexperia accepts no liability for inclusion and/or use of non-automotive qualified products in automotive equipment or applications.

In the event that customer uses the product for design-in and use in automotive applications to automotive specifications and standards, customer (a) shall use the product without Nexperia's warranty of the product for such automotive applications, use and specifications, and (b) whenever customer uses the product for automotive applications beyond Nexperia's specifications such use shall be solely at customer's own risk, and (c) customer fully indemnifies Nexperia for any liability, damages or failed product claims resulting from customer design and use of the product for automotive applications beyond Nexperia's standard warranty and Nexperia's product specifications.

**Translations** — A non-English (translated) version of a document is for reference only. The English version shall prevail in case of any discrepancy between the translated and English versions.

### Trademarks

Notice: All referenced brands, product names, service names and trademarks are the property of their respective owners.

## Contents

---

<b>1. General description</b> .....	<b>1</b>
<b>2. Features and benefits</b> .....	<b>1</b>
<b>3. Ordering information</b> .....	<b>1</b>
<b>4. Functional diagram</b> .....	<b>2</b>
<b>5. Pinning information</b> .....	<b>2</b>
5.1. Pinning.....	2
5.2. Pin description.....	3
<b>6. Functional description</b> .....	<b>3</b>
<b>7. Limiting values</b> .....	<b>3</b>
<b>8. Recommended operating conditions</b> .....	<b>4</b>
<b>9. Static characteristics</b> .....	<b>4</b>
<b>10. Dynamic characteristics</b> .....	<b>5</b>
10.1. Waveforms and test circuit.....	5
<b>11. Transfer characteristics</b> .....	<b>7</b>
11.1. Transfer characteristics waveforms.....	7
<b>12. Application information</b> .....	<b>8</b>
<b>13. Package outline</b> .....	<b>9</b>
<b>14. Abbreviations</b> .....	<b>12</b>
<b>15. Revision history</b> .....	<b>12</b>
<b>16. Legal information</b> .....	<b>13</b>

---

© Nexperia B.V. 2024. All rights reserved

For more information, please visit: <http://www.nexperia.com>

For sales office addresses, please send an email to: [salesaddresses@nexperia.com](mailto:salesaddresses@nexperia.com)

Date of release: 12 January 2024

---

## Looking for pricing, stock, or lifecycle information?

Click below to explore more details on WIN SOURCE:

- ⊖ [View 74ALVC14PW,118 on WIN SOURCE](#)
- ⊖ [Nexperia USA Inc. Information](#)

## Optimize Your Supply Chain with WIN SOURCE Solutions

- ✓ Global Sourcing Solution
- ✓ Obsolete Management
- ✓ Cost Control Management
- ✓ Shortage Management
- ✓ Alternative Solution
- ✓ Excess Inventory Management