



**THE DATASHEET OF
ADR512WARTZ-R7**



FEATURES

- Precision 1.200 V voltage reference**
- Ultracompact 3-lead SOT-23 package**
- No external capacitor required**
- Low output noise: 4 μV p-p (0.1 Hz to 10 Hz)**
- Initial accuracy: $\pm 0.67\%$ maximum**
- Temperature coefficient: 60 ppm/ $^{\circ}\text{C}$ maximum**
- Operating current range: 100 μA to 10 mA**
- Output impedance: 0.3 Ω maximum**
- Temperature range: -40°C to $+85^{\circ}\text{C}$**
- Qualified for automotive applications**

APPLICATIONS

- Automotive systems**
- Precision data acquisition systems**
- Microcontroller reference voltage**

GENERAL DESCRIPTION

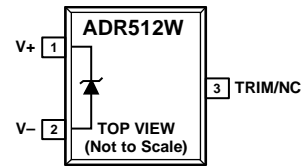
Designed for space critical applications, the ADR512W is a low voltage (1.200 V), precision shunt-mode voltage reference in the ultracompact SOT-23 package. The ADR512W features low temperature drift (60 ppm/ $^{\circ}\text{C}$), high accuracy ($\pm 0.67\%$), and ultralow noise (4 μV p-p) performance.

The ADR512W's advanced design eliminates the need for an external capacitor, yet it is stable with any capacitive load. The

minimum operating current increases from a scant 100 μA to a maximum of 10 mA.

A TRIM terminal is available on the ADR512W to provide adjustment of the output voltage over $\pm 0.5\%$ without affecting the temperature coefficient of the device. This feature provides users with the flexibility to trim out any system errors.

PIN CONFIGURATION



NC = NO CONNECT. DO NOT CONNECT TO THIS PIN.

Figure 1. 3-Lead SOT-23

09838-001

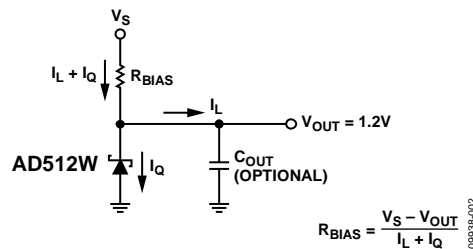


Figure 2. Typical Operating Circuit

Rev. 0

Information furnished by Analog Devices is believed to be accurate and reliable. However, no responsibility is assumed by Analog Devices for its use, nor for any infringements of patents or other rights of third parties that may result from its use. Specifications subject to change without notice. No license is granted by implication or otherwise under any patent or patent rights of Analog Devices. Trademarks and registered trademarks are the property of their respective owners.

TABLE OF CONTENTS

Features	1	Typical Performance Characteristics	5
Applications.....	1	Terminology	7
Pin Configuration.....	1	Applications Information	8
General Description	1	Adjustable Precision Voltage Source	8
Revision History	2	Output Voltage Trim	8
Specifications.....	3	Using the ADR512W with Precision Data Converters	8
Electrical Characteristics	3	Precise Negative Voltage Reference	8
Absolute Maximum Ratings.....	4	Outline Dimensions	10
Thermal Resistance	4	Ordering Guide	10
ESD Caution.....	4	Automotive Products.....	10

REVISION HISTORY

5/11—Revision 0: Initial Version

SPECIFICATIONS

ELECTRICAL CHARACTERISTICS

$I_{IN} = 100 \mu\text{A}$ to 10 mA at $T_A = 25^\circ\text{C}$, unless otherwise noted.

Table 1.

Parameter	Symbol	Test Conditions/Comments	Min	Typ	Max	Unit
Output Voltage ¹	V_O		1.192	1.2	1.208	V
Initial Accuracy	V_{OERR}		-8.0		+8.0	mV
Temperature Coefficient A Grade	TCV_O	$-40^\circ\text{C} < T_A < +85^\circ\text{C}$			60	ppm/ $^\circ\text{C}$
Output Voltage Change vs. I_{IN}	ΔV_R	$I_{IN} = 0.1 \text{ mA}$ to 10 mA			3	mV
Dynamic Output Impedance	$(\Delta V_R / \Delta I_R)$	$I_{IN} = 1 \text{ mA} \pm 100 \mu\text{A}$			0.3	Ω
Minimum Operating Current	I_{IN}	$-40^\circ\text{C} < T_A < +85^\circ\text{C}$	100			μA
Voltage Noise	e_N p-p	$f = 0.1 \text{ Hz}$ to 10 Hz		4		μV p-p
Turn-On Settling Time ²	t_R	To within 0.1% of output		10		μs
Output Voltage Hysteresis	V_{O_HYS}			50		ppm

¹ The forward diode voltage characteristic at -1 mA is typically 0.65 V .

² Measured without a load capacitor.

ABSOLUTE MAXIMUM RATINGS

Table 2.

Parameter	Rating
Reverse Current	25 mA
Forward Current	20 mA
Storage Temperature Range	
RT Package	−65°C to +150°C
Operating Temperature Range	−40°C to +85°C
Junction Temperature Range	
RT Package	−65°C to +150°C
Lead Temperature Range (Soldering, 60 Sec)	300°C

Stresses above those listed under Absolute Maximum Ratings may cause permanent damage to the device. This is a stress rating only; functional operation of the device at these or any other conditions above those indicated in the operational section of this specification is not implied. Exposure to absolute maximum rating conditions for extended periods may affect device reliability.

THERMAL RESISTANCE

θ_{JA} is specified for the worst-case conditions, that is, a device soldered in a circuit board for surface-mount packages.

Table 3. Thermal Resistance

Package Type ¹	θ_{JA} ²	θ_{JC}	Unit
3-SOT-23 (RT)	230	146	°C/W

¹Package power dissipation = $(T_{JMAX} - T_A)/\theta_{JA}$.

² θ_{JA} is specified for worst-case conditions; that is, θ_{JA} is specified for the device soldered.

ESD CAUTION



ESD (electrostatic discharge) sensitive device. Charged devices and circuit boards can discharge without detection. Although this product features patented or proprietary protection circuitry, damage may occur on devices subjected to high energy ESD. Therefore, proper ESD precautions should be taken to avoid performance degradation or loss of functionality.

TYPICAL PERFORMANCE CHARACTERISTICS

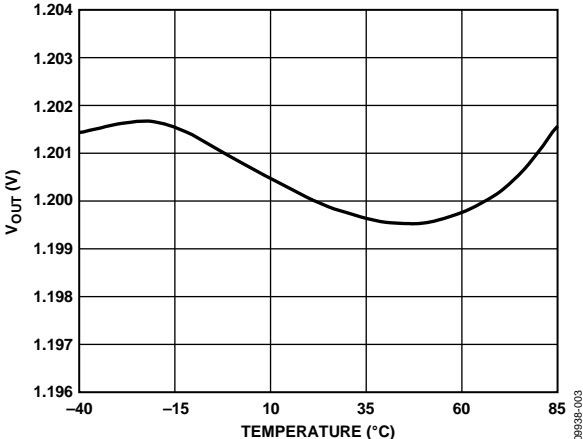


Figure 3. Typical V_{OUT} vs. Temperature

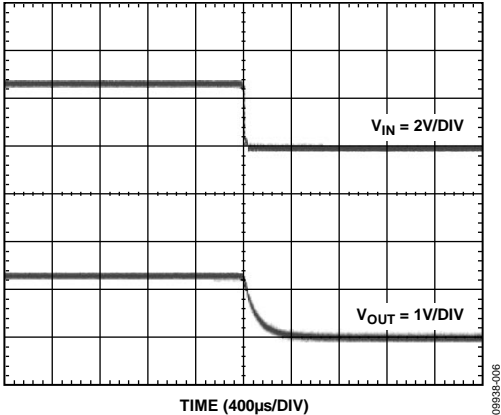


Figure 6. Turn-Off Time

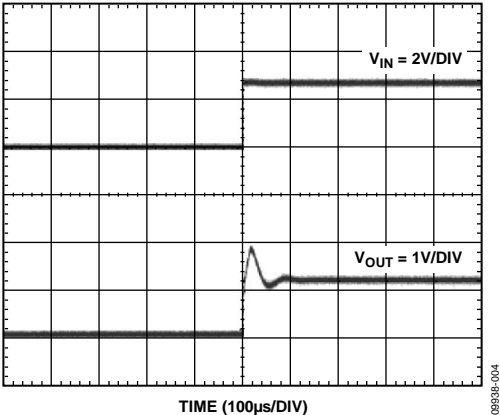


Figure 4. Turn-On Time

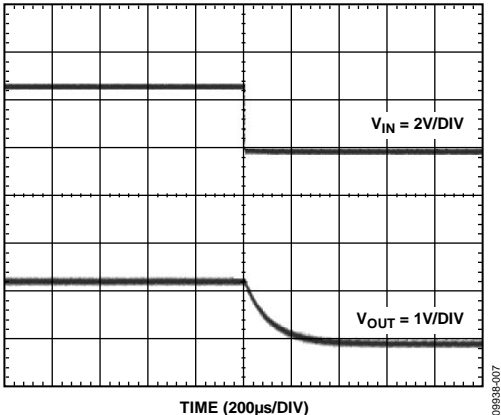


Figure 7. Turn-Off Time with a 1 μF Input Capacitor

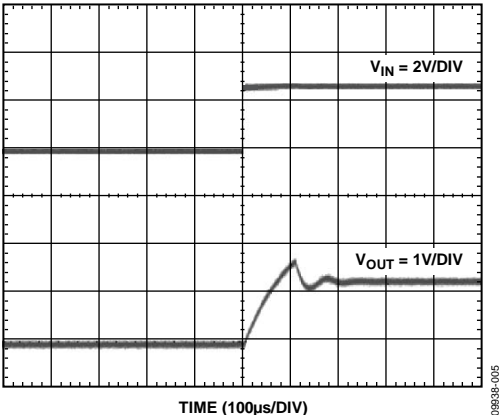


Figure 5. Turn-On Time with a 1 μF Input Capacitor

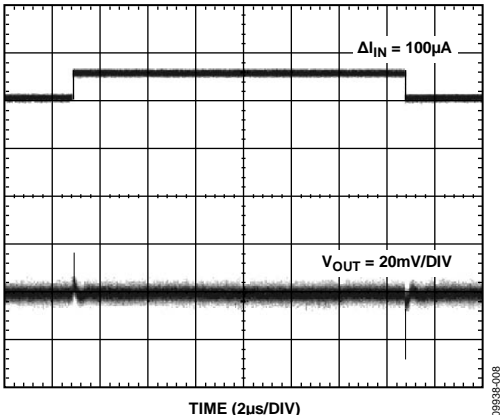


Figure 8. Output Response to a 100 μA Input Current Change

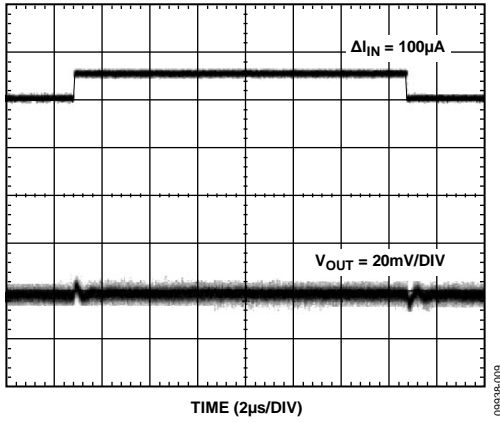


Figure 9. Output Response to a $100 \mu\text{A}$ Input Current Change with a $1 \mu\text{F}$ Capacitor

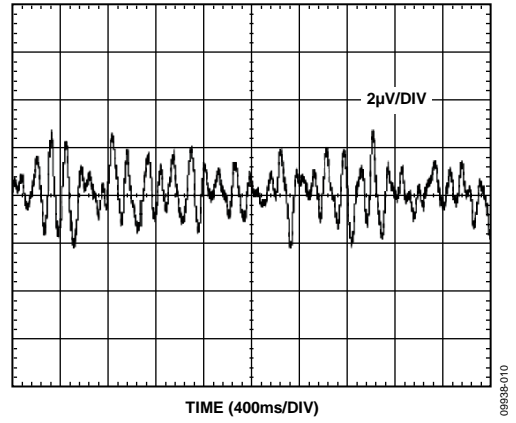


Figure 10. 0.1 Hz to 10 Hz Noise

TERMINOLOGY

Temperature Coefficient

Temperature coefficient is the change in output voltage with respect to operating temperature changes, normalized by the output voltage at 25°C. This parameter is expressed in ppm/°C and can be determined with the following equation:

$$TCV_o \left[\frac{ppm}{^\circ C} \right] = \frac{V_o(T_2) - V_o(T_1)}{V_o(25^\circ C) \times (T_2 - T_1)} \times 10^6 \quad (1)$$

where:

$V_o(25^\circ C) = V_o$ at 25°C.

$V_o(T_1) = V_o$ at Temperature 1.

$V_o(T_2) = V_o$ at Temperature 2.

Thermal Hysteresis

Thermal hysteresis is defined as the change in output voltage after the device is cycled through temperature from +25°C to -40°C to +85°C and back to +25°C. This is a typical value from a sample of parts put through such a cycle.

$$V_{o_HYS} = V_o(25^\circ C) - V_{o_TC} \quad (2)$$

$$V_{o_HYS} [ppm] = \frac{V_o(25^\circ C) - V_{o_TC}}{V_o(25^\circ C)} \times 10^6$$

where:

$V_o(25^\circ C) = V_o$ at 25°C.

$V_{o_TC} = V_o$ at 25°C after temperature cycles from +25°C to -40°C to +85°C and back to +25°C.

ADR512W

APPLICATIONS INFORMATION

The ADR512W is a 1.2 V precision shunt voltage reference. It is designed to operate without an external output capacitor between the positive and negative terminals for stability. An external capacitor can be used for additional filtering of the supply.

As with all shunt voltage references, an external bias resistor (R_{BIAS}) is required between the supply voltage and the ADR512W (see Figure 2). R_{BIAS} sets the current that is required to pass through the load (I_L) and the ADR512W (I_Q). The load and the supply voltage can vary, thus R_{BIAS} is chosen as follows:

- R_{BIAS} must be small enough to supply the minimum I_Q current to the ADR512W even when the supply voltage is at its minimum and the load current is at its maximum value.
- R_{BIAS} also must be large enough so that I_Q does not exceed 10 mA when the supply voltage is at its maximum and the load current is at its minimum.

Given these conditions, R_{BIAS} is determined by the supply voltage (V_S), the load and operating current (I_L and I_Q) of the ADR512W, and the ADR512W's output voltage.

$$R_{BIAS} = (V_S - V_{OUT}) / (I_L + I_Q) \quad (3)$$

ADJUSTABLE PRECISION VOLTAGE SOURCE

The ADR512W, combined with a precision low input bias op amp such as the AD8610, can be used to output a precise adjustable voltage. Figure 11 illustrates the implementation of this application using the ADR512W.

The output of the op amp, V_{OUT} , is determined by the gain of the circuit, which is completely dependent on resistors R_2 and R_1 .

$$V_{OUT} = 1 + \frac{R_2}{R_1} \quad (4)$$

An additional capacitor in parallel with R_2 can be added to filter out high frequency noise. The value of C_2 is dependent on the value of R_2 .

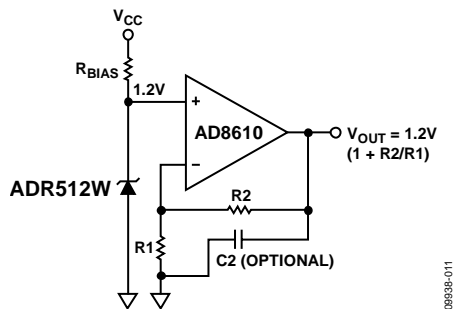


Figure 11. Adjustable Precision Voltage Source

OUTPUT VOLTAGE TRIM

Using a mechanical or digital potentiometer, the output voltage of the ADR512W can be trimmed $\pm 0.5\%$. The circuit in Figure 12 illustrates how the output voltage can be trimmed using a 10 k Ω potentiometer.

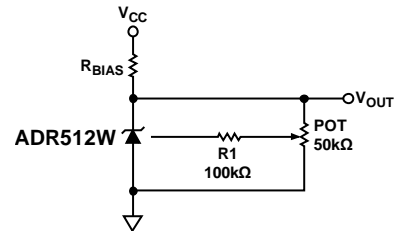


Figure 12. Output Voltage Trim

USING THE ADR512W WITH PRECISION DATA CONVERTERS

The compact ADR512W package and the device's low minimum operating current requirement make it ideal for use in battery powered portable instruments, such as the AD7533 CMOS multiplying DAC, that use precision data converters.

Figure 13 shows the ADR512W serving as an external reference to the AD7533, a CMOS multiplying DAC. Such a DAC requires a negative voltage input to provide a positive output range. In this application, the ADR512W supplies a -1.2 V reference to the REF input of the AD7533.

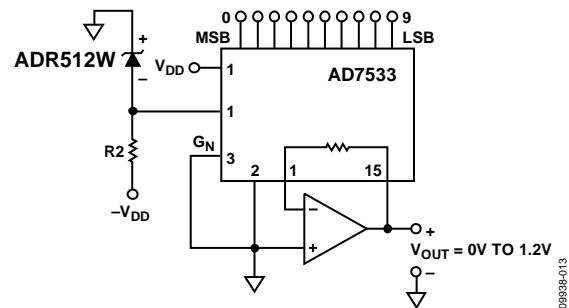


Figure 13. The ADR512W as a Reference for a 10-Bit CMOS DAC (AD7533)

PRECISE NEGATIVE VOLTAGE REFERENCE

The ADR512W is suitable for use in applications where a precise negative voltage reference is desired, including the application detailed in Figure 13.

Figure 14 shows the ADR512W configured to provide a -1.2 V output.

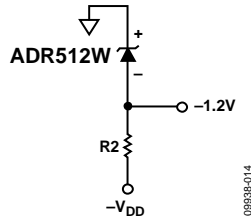


Figure 14. Precise -1.2 V Reference Configuration

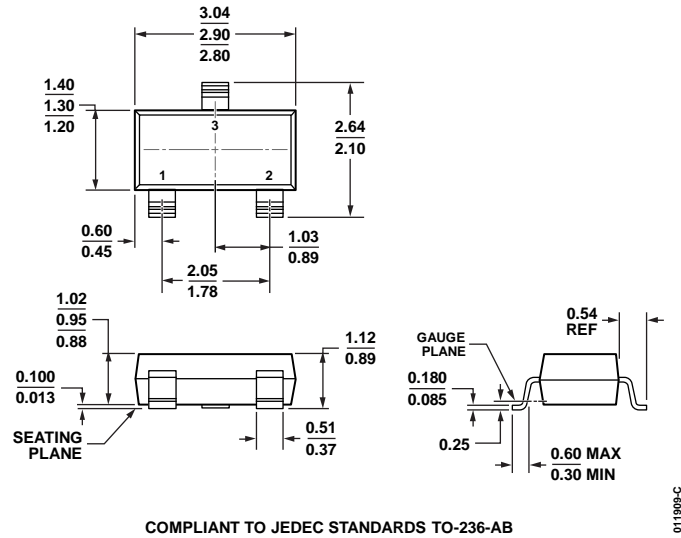
Because the ADR512W characteristics resemble those of a Zener diode, the cathode shown in Figure 14 is 1.2 V higher with respect to the anode (V+ with respect to V- on the ADR512W package). Because the cathode of the ADR512W is tied to ground, the anode must be -1.2 V.

R1 in Figure 14 should be chosen so that 100 μA to 10 mA is provided to properly bias the ADR512W.

$$R1 = \frac{V_{DD}}{I} \quad (5)$$

The resistor, R1, should be chosen so that power dissipation is at a minimum. An ideal resistor value can be determined through manipulation of Equation 5.

OUTLINE DIMENSIONS



COMPLIANT TO JEDEC STANDARDS TO-236-AB
 Figure 15. 3-Lead Small Outline Transistor Package [SOT-23-3] (RT-3)
 Dimensions shown in millimeters

ORDERING GUIDE

Model ^{1,2}	Output Voltage (V _o)	Initial Accuracy		Temperature Coefficient (ppm/°C)	Package Description	Package Option	Branding	Number of Parts per Reel	Temperature Range
		(mV)	(%)						
ADR512WARTZ-R7	1.2	±8.0	±0.7	60	3-Lead SOT-23-3	RT-3	R1R	3,000	-40°C to +85°C

¹ Z = RoHS Compliant Part.
² W = Qualified for Automotive Applications.

AUTOMOTIVE PRODUCTS

The ADR512W model is available with controlled manufacturing to support the quality and reliability requirements of automotive applications. Note that this automotive model may have specifications that differ from the commercial models; therefore, designers should review the Specifications section of this data sheet carefully. Only the automotive grade product shown is available for use in automotive applications. Contact your local Analog Devices account representative for specific product ordering information and to obtain the specific Automotive Reliability reports for this model.

NOTES

ADR512W

NOTES

Looking for pricing, stock, or lifecycle information?

Click below to explore more details on WIN SOURCE:

 [View ADR512WARTZ-R7 on WIN SOURCE](#)

 [Analog Devices Inc. Information](#)

Optimize Your Supply Chain with WIN SOURCE Solutions

-  Global Sourcing Solution
-  Obsolete Management
-  Cost Control Management
-  Shortage Management
-  Alternative Solution
-  Excess Inventory Management