



**THE DATASHEET OF
ANNE-50CN+**





COAXIAL

Termination, SMA-M

ANNE-50+

Mini-Circuits

50Ω DC to 18000 MHz

THE BIG DEAL

- Wideband coverage, DC to 18000 MHz
- Return loss, 35 dB typ. up to 4000 MHz and 27 dB typ. 10000 to 18000 MHz
- Rugged construction



Generic photo used for illustration purposes only

Model No.	ANNE-50+
Case Style	LL561
Connectors	SMA-Male

APPLICATIONS

- Cellular communications
- Satellite communications
- Test set-up
- Defense & radar

+RoHS Compliant

The +Suffix identifies RoHS Compliance. See our web site for RoHS Compliance methodologies and qualifications

ELECTRICAL SPECIFICATIONS AT 25°C

Parameter	Frequency (GHz)	Min.	Typ.	Max.	Units
Frequency Range		DC		18	GHz
Impedance			50		Ohms
Return Loss	DC - 4	30	—	—	dB
	4 - 8	27	—	—	
	8 - 12	23	—	—	
	12 - 18	21	—	—	
Power Rating*	DC - 18	—	—	1	W

*At 50°C, derate linearly to 350mW at 100°C.

MAXIMUM RATINGS

Parameter	Ratings
Operating temperature	-55°C to 100°C
Storage temperature	-55°C to 100°C

Permanent damage may occur if any of these limits are exceeded.

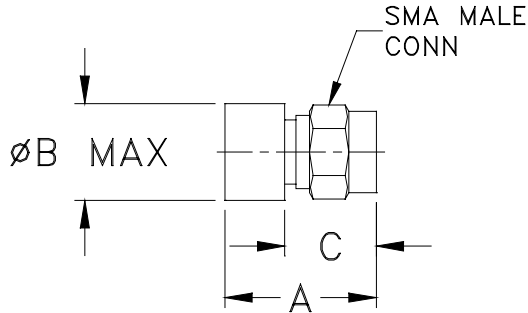




Termination, SMA

ANNE-50+

OUTLINE DRAWING



OUTLINE DIMENSIONS (Inch/mm)

A	B	C	wt
Inch	Inch	Inch	grams
0.58	0.37	0.35	4.0
14.73	9.40	8.89	

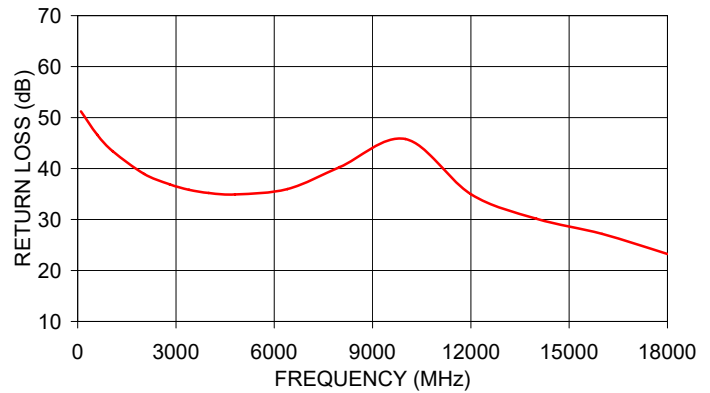


To order ANNE-50+ with 3½ length chain and end coupling with .130" diameter mtg. hole, use part no. [ANNE-50CN+](#)

TYPICAL PERFORMANCE DATA

Frequency (MHz)	Return Loss (dB)
596	46.64
1072	43.38
2024	38.95
2800	36.93
3400	35.82
4000	35.20
4800	34.92
6400	35.97
8000	40.29
10000	45.79
12000	34.97
14000	30.16
16000	27.19
18000	23.24

ANNE-50+ RETURN LOSS



NOTES

- A. Performance and quality attributes and conditions not expressly stated in this specification document are intended to be excluded and do not form a part of this specification document.
- B. Electrical specifications and performance data contained in this specification document are based on Mini-Circuit's applicable established test performance criteria and measurement instructions.
- C. The parts covered by this specification document are subject to Mini-Circuits standard limited warranty and terms and conditions (collectively, "Standard Terms"); Purchasers of this part are entitled to the rights and benefits contained therein. For a full statement of the standard. Terms and the exclusive rights and remedies thereunder, please visit Mini-Circuits' website at www.minicircuits.com/MCLStore/terms.jsp

Looking for pricing, stock, or lifecycle information?

Click below to explore more details on WIN SOURCE:

 [View ANNE-50CN+](#) on WIN SOURCE

 [Mini-Circuits](#) Information

Optimize Your Supply Chain with WIN SOURCE Solutions

-  Global Sourcing Solution
-  Obsolete Management
-  Cost Control Management
-  Shortage Management
-  Alternative Solution
-  Excess Inventory Management