

# HITFET - BTS3205G

Smart Low-Side Power Switch

Automotive Power



Never stop thinking

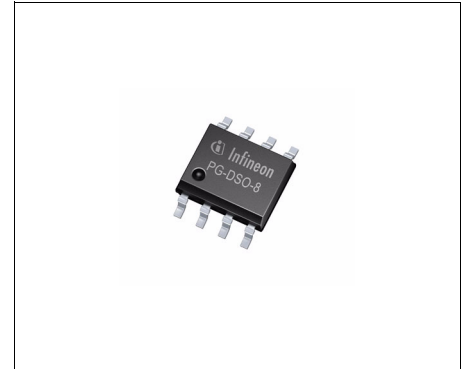
<b>1</b>	<b>Overview</b>	<b>3</b>
<b>2</b>	<b>Block Diagram</b>	<b>5</b>
2.1	Terms	5
<b>3</b>	<b>Pin Configuration</b>	<b>6</b>
3.1	Pin Assignment BTS3205G	6
3.2	Pin Definitions and Functions	6
<b>4</b>	<b>General Product Characteristics</b>	<b>7</b>
4.1	Absolute Maximum Ratings	7
4.2	Thermal Resistance	8
4.2.1	Transient Thermal Impedance	8
<b>5</b>	<b>Block Description and Characteristics</b>	<b>10</b>
5.1	Input and Power Stage	10
5.1.1	Input Circuit	10
5.1.2	Failure Feedback	11
5.1.3	Output On-State Resistance	11
5.1.4	Power Dissipation	12
5.1.5	Output Timing	12
5.1.6	Characteristics	13
<b>6</b>	<b>Protection Functions</b>	<b>15</b>
6.1	Thermal Protection	15
6.2	Overvoltage Protection	15
6.3	Short Circuit Protection	17
6.4	Characteristics	18
<b>7</b>	<b>Package Outlines BTS3205G</b>	<b>19</b>
<b>8</b>	<b>Revision History</b>	<b>20</b>



## 1 Overview

### Features

- Low input current
- Short circuit and Overload protection
- Current limitation
- Input protection (ESD)
- Thermal protection with auto restart
- Compatible to standard Power MOSFET
- Analog driving possible
- Green Product (RoHS compliant)
- AEC Qualified



**PG-DSO-8-24**

### Description

The BTS3205G is a one channel low-side power switch in PG-DSO-8-24 package providing embedded protective functions. The device is monolithic integrated and consist of an N-channel power MOSFET transistor and additional protection circuitry.

**Table 1 Product Summary**

Drain Voltage	$V_D$	42 V <sup>1)</sup>
Input Voltage	$V_{IN(max)}$	10 V
Typical On-State Resistance at $T_j = 25^\circ\text{C}$ and $V_{in} = 10\text{V}$	$R_{DS(ON,amb typ)}$	0.7 $\Omega$
Maximum On-State Resistance at $T_j = 150^\circ\text{C}$ and $V_{in} = 10\text{V}$	$R_{DS(ON,hot max)}$	1.9 $\Omega$
Nominal Load Current	$I_{Dnom(min)}$	350 mA
Drain Current	$I_D$	600 mA <sup>2)</sup>
Single Clamping Energy	$E_{AS}$	65 mJ

1) Active clamped

2) Internally limited

Type	Package	Marking
BTS3205G	PG-DSO-8-24	BTS3205G

**Protective Functions**

- Electrostatic discharge protection (ESD)
- Active clamp over voltage protection
- Thermal shutdown with auto restart
- Short circuit protection

**Fault Information**

- Thermal shutdown
- Short to Battery and overload

**Applications**

- Designed for driving Relays in Automotive Applications
- All types of resistive, inductive and capacitive loads
- Suitable for loads with peak currents
- Replaces discrete circuits

**Detailed Description**

The device is able to switch all kind of resistive, inductive and capacitive loads, limited by  $E_{AS}$  and maximum current capabilities.

The BTS3205G offers ESD protection of the IN Pin in relation to the Source Pin.

The overtemperature protection prevents the device from overheating due to overload and/or bad cooling conditions. The temperature information is given by a temperature sensor in the power MOSFET. During thermal shutdown the device tries to sink an increased input current to feedback the fault condition.

The BTS3205G has a thermal-auto-restart function, the device will turn on again after the measured temperature has dropped down for the thermal hysteresis.

The over voltage protection is active during load-dump or inductive turn off conditions. The power MOSFET is limiting the Drain - Source voltage to the defined clamping voltage. This function is available regardless of the input pin state.

## 2 Block Diagram

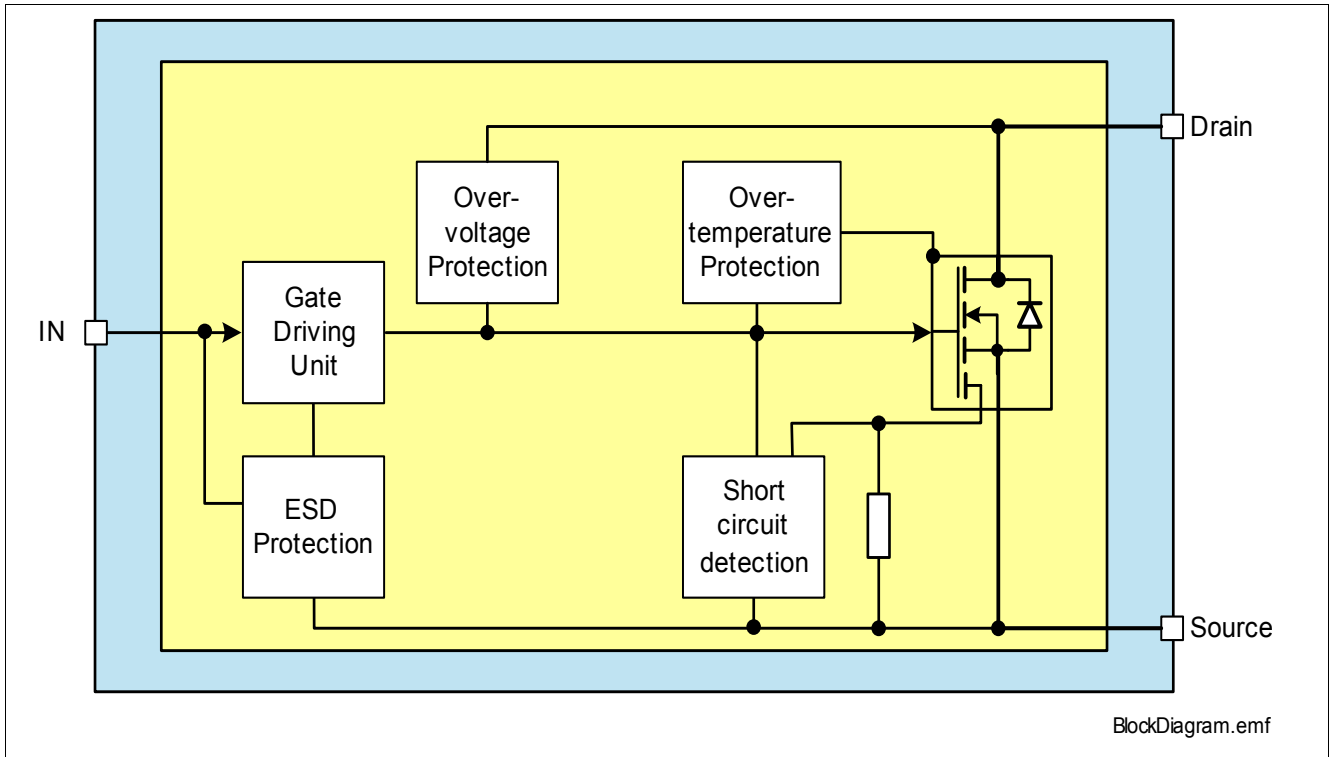


Figure 1 Block Diagram

### 2.1 Terms

Figure 2 shows all external terms used in this data sheet.

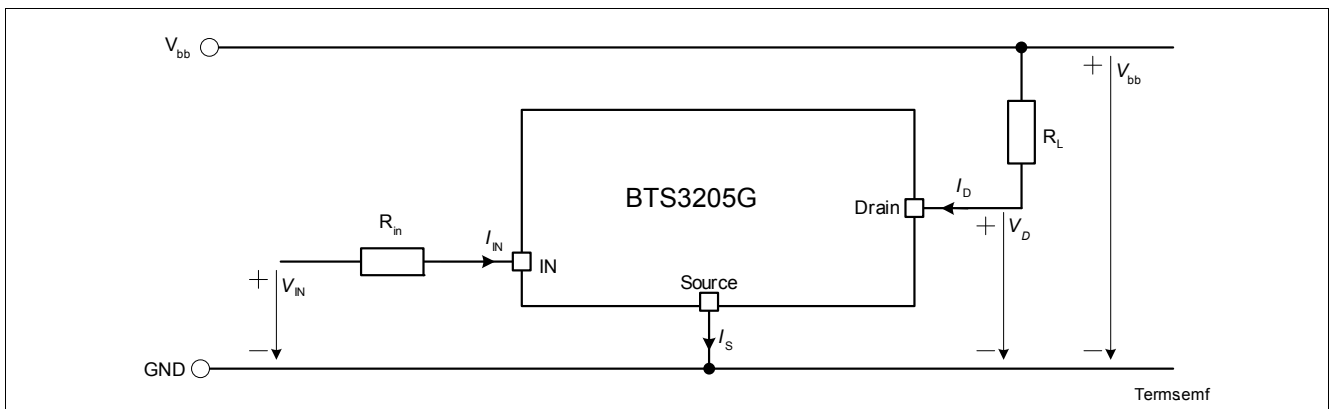


Figure 2 Terms

### 3 Pin Configuration

#### 3.1 Pin Assignment BTS3205G

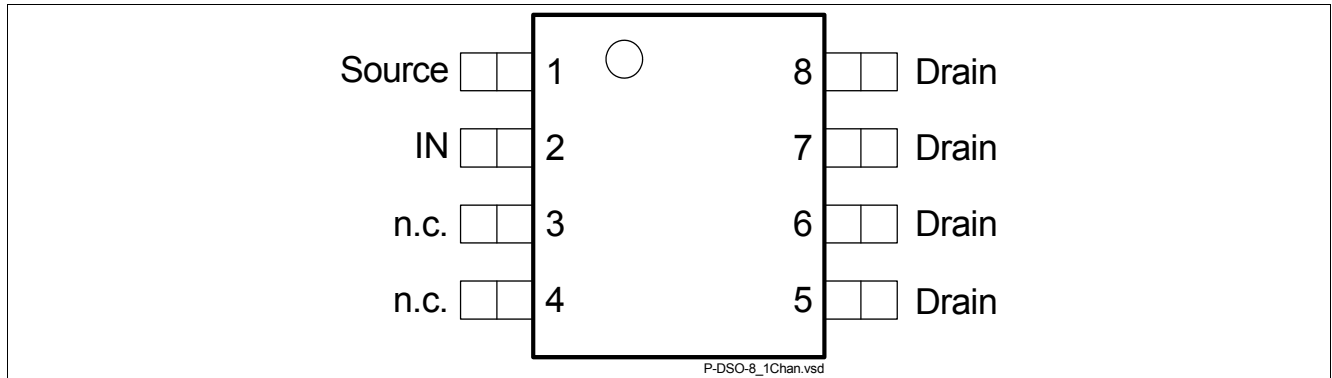


Figure 3 Pin Configuration PG-DSO-8-24

#### 3.2 Pin Definitions and Functions

Pin	Symbol	Function
1	Source	Ground connection
2	IN	Input / Fault feedback
3, 4	nc	not connected
5, 6, 7, 8	Drain	Load connection

## 4 General Product Characteristics

### 4.1 Absolute Maximum Ratings

#### Absolute Maximum Ratings <sup>1)</sup>

$T_j = -40 \text{ °C}$  to  $+150 \text{ °C}$ ; all voltages with respect to ground, positive current flowing into pin  
(unless otherwise specified)

Pos.	Parameter	Symbol	Limit Values		Unit	Test Conditions
			Min.	Max.		
<b>Voltages</b>						
4.1.1	Drain voltage	$V_D$	–	42	V	<sup>2)</sup> $V_{IN} = 0 \text{ V}$ , $I_D = 10 \text{ mA}$
4.1.2	Input Voltage	$V_{IN}$	-0.2	10	V	–
4.1.3	Input Current	$I_{IN}$	self limited		mA	$-0.2 \text{ V} < V_{IN} < 10 \text{ V}$
4.1.4			-2	2	mA	$V_{IN} < -0.2 \text{ V}$ or $V_{IN} > 10 \text{ V}$
4.1.5	Drain Current	$I_D$	–	600	mA	<sup>3)</sup> $T_j = 25 \text{ °C}$
<b>Energies</b>						
4.1.6	Unclamped single pulse inductive energy single pulse	$E_{AS}$	0	65	mJ	$I_D = 350 \text{ mA}$ ; $V_{bb} = 28 \text{ V}$ ; $T_{J(\text{start})} = 85 \text{ °C}$
4.1.7	Unclamped single pulse inductive energy single pulse		–	30	mJ	$I_D = 250 \text{ mA}$ ; $V_{bb} = 28 \text{ V}$ ; $T_{J(\text{start})} = 150 \text{ °C}$
4.1.8	Unclamped repetitive pulse inductive energy $1 \times 10^4$ cycles	$E_{AR}$	0	18	mJ	$I_D = 200 \text{ mA}$ ; $V_{bb} = 13.5 \text{ V}$ ; $T_{J(\text{start})} = 105 \text{ °C}$
4.1.9	Unclamped repetitive pulse inductive energy $1 \times 10^6$ cycles		–	13	mJ	$I_D = 170 \text{ mA}$ ; $V_{bb} = 13.5 \text{ V}$ ; $T_{J(\text{start})} = 105 \text{ °C}$
4.1.10	Total Power Dissipation	$P_{tot}$	–	0.78	W	<sup>4)</sup> $T_a = 85 \text{ °C}$
<b>Temperatures</b>						
4.1.11	Operating temperature	$T_j$	-40	+150	°C	–
4.1.12	Storage temperature	$T_{stg}$	-55	+150	°C	–
<b>ESD Susceptibility</b>						
4.1.13	Electrostatic discharge voltage <sup>5)</sup>	$V_{ESD}$	-2	2	kV	IN Pin $R = 1.5 \text{ k}$ ; $C = 100 \text{ pF}$ ; $T_j = 25 \text{ °C}$

1) Not subject to production test, specified by design.

2) Active clamped.

3) Internally limited.

4) Device mounted on PCB according EIA/JEDEC standard JESD51-7 (4-layer FR4, 76.2 mm × 114.3 mm with buried planes). PCB is mounted vertical without blown air.

5) ESD susceptibility HBM according to EIA/JESD 22-A 114B, section 4.

## 4.2 Thermal Resistance

Pos.	Parameter	Symbol	Limit Values			Unit	Conditions
			Min.	Typ.	Max.		
4.2.1	Junction to Soldering Point	$R_{thJC}$	–	–	44	K/W	1) 2)
4.2.2	Junction to Ambient	$R_{thJA}$	–	90	–	K/W	1) 2)

1) Not subject to production test, specified by design.

2) Device mounted on PCB according EIA/JEDEC standard JESD51-7 (4-layer FR4, 76.2 mm × 114.3 mm with buried planes). PCB is mounted vertical without blown air with 0.78W power dissipation generated on the DMOS.

*Note: Stresses above the ones listed here may cause permanent damage to the device. Exposure to absolute maximum rating conditions for extended periods may affect device reliability.*

*Note: Integrated protection functions are designed to prevent IC destruction under fault conditions described in the data sheet. Fault conditions are considered as “outside” normal operating range. Protection functions are not designed for continuous repetitive operation.*

### 4.2.1 Transient Thermal Impedance

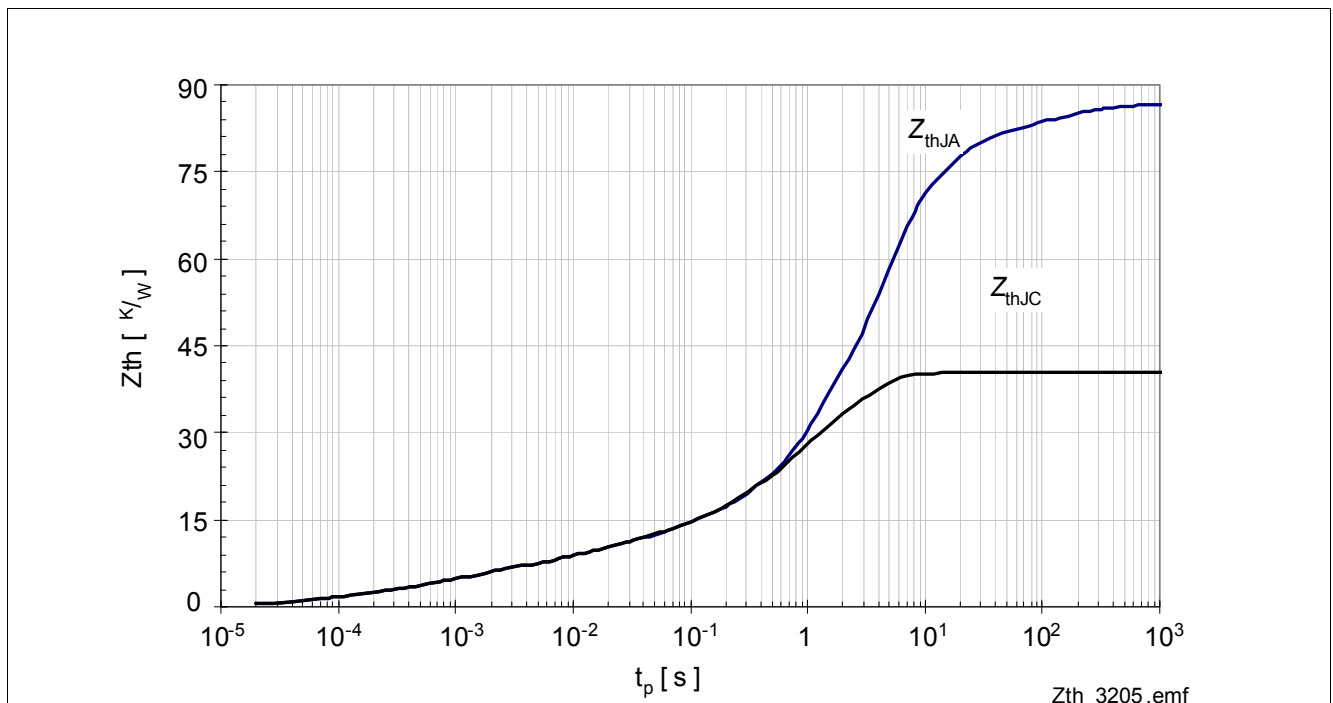
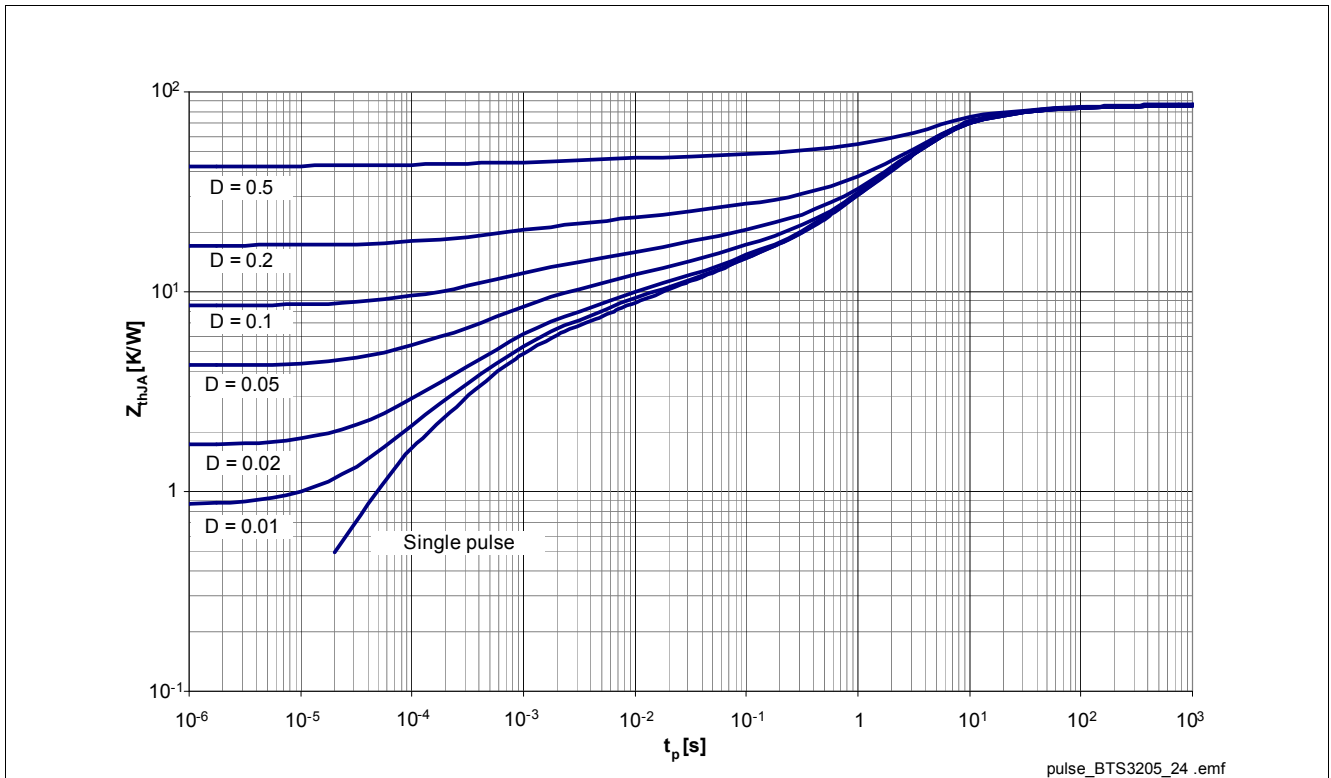


Figure 4 Typical Transient Thermal Impedance single pulse,  $Z_{thJA}$  and  $Z_{thJC}$



**Figure 5** Typical Transient Thermal Impedance  $Z_{thJA}$  with different Duty cycles

$$Z_{thJA} = f(t_p), D = t_p/T, T_a = 25\text{ °C}$$

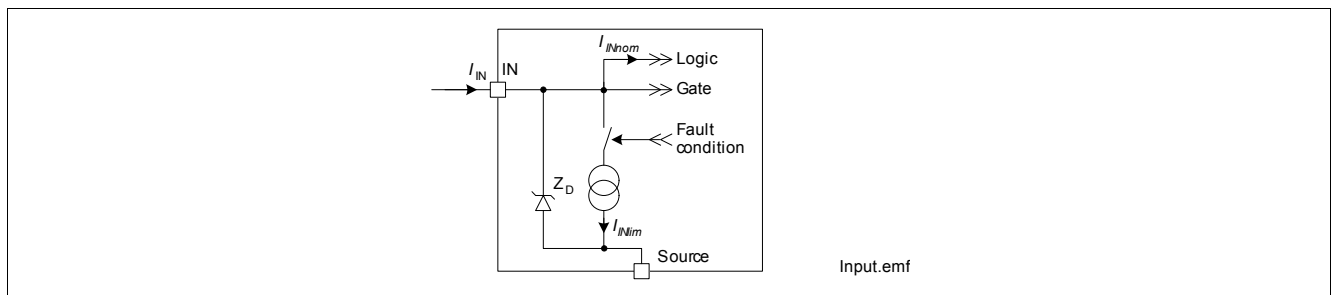
Device mounted on PCB according EIA/JEDEC standard JESD51-7 (4-layer FR4, 76.2 mm × 114.3 mm with buried planes). PCB is mounted vertical without blown air with 0.78W power dissipation generated for single pulse on the DMOS

## 5 Block Description and Characteristics

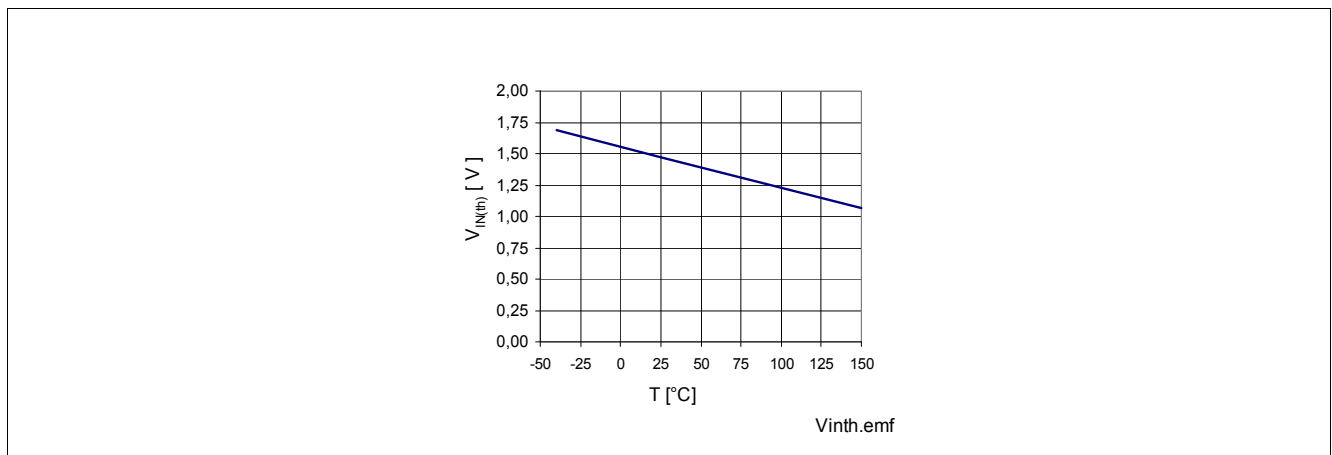
### 5.1 Input and Power Stage

#### 5.1.1 Input Circuit

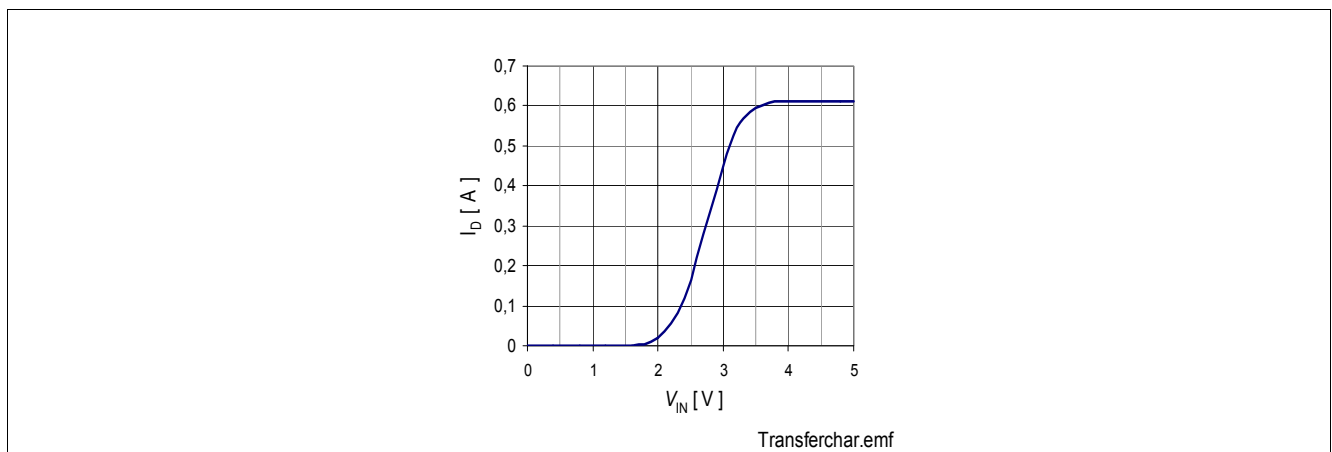
**Figure 6** shows the input circuit of the BTS3205G. The zener Diode protects the input circuit against ESD pulses. The internal circuitry is supplied by the input PIN. During normal operation the Input is connected to the Gate of the power MOSFET. During fault condition the device tries to sink the current  $I_{INlim}$  in order to give the fault information back to the driving circuit.



**Figure 6** Input Circuit



**Figure 7** Typical Input Threshold Voltage  $V_{in th} = f(T_J)$ ;  $I_D = 50 \mu A$ ,  $V_D = V_{IN}$



**Figure 8** Typical Transfer Characteristic  $I_D = f(V_{IN})$ ;  $V_D = 12 V$ ,  $T_{Jstart} = 25 \text{ }^\circ\text{C}$

### 5.1.2 Failure Feedback

During failure condition the BTS3205G tries to sink a increased input current  $I_{INlim}$ .

### 5.1.3 Output On-State Resistance

The on-state resistance depends on the junction temperature  $T_J$ . **Figure 9** shows this dependency for the typical on-state resistance  $R_{DS(on)}$ .

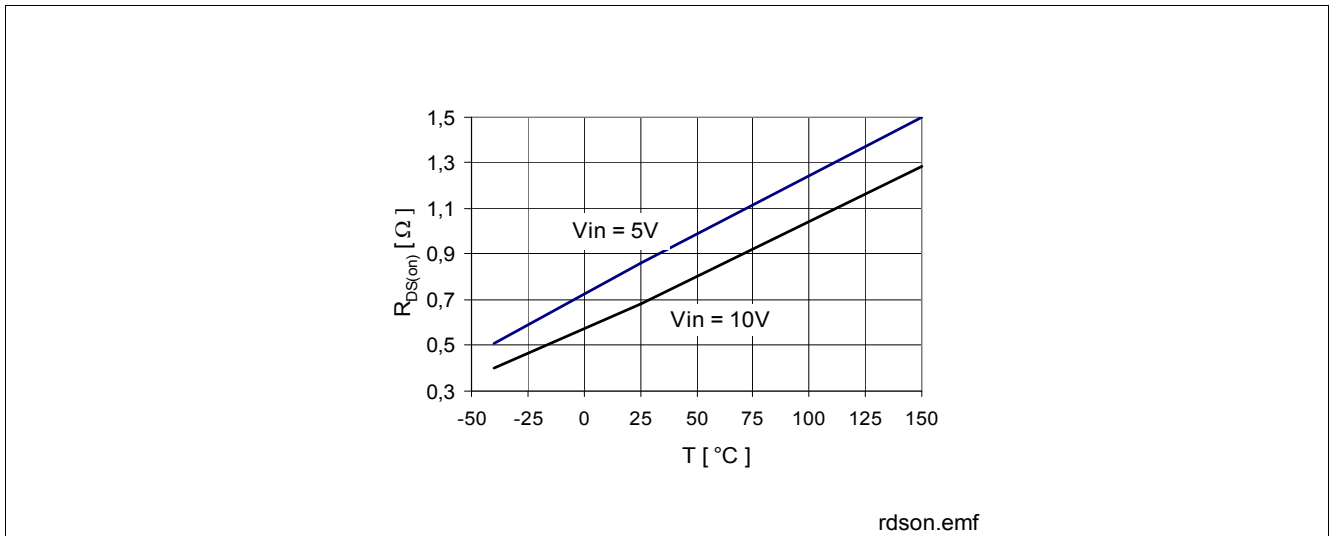


Figure 9 Typical On-State Resistance,  $R_{DS(on)} = f(T_J)$

### 5.1.4 Power Dissipation

The maximum allowed power dissipation in [Figure 10](#) is calculated by  $R_{thJC}$  and  $R_{thJA}$ .

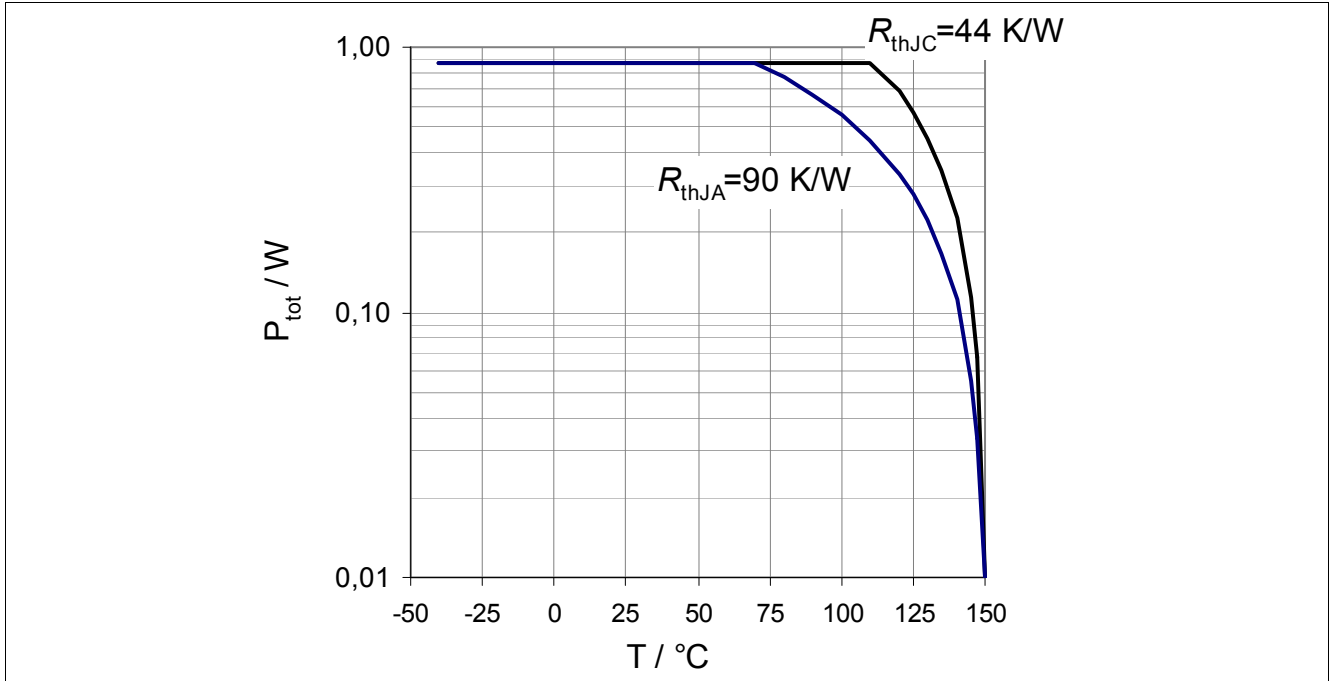


Figure 10 Maximal Allowable Power Dissipation

### 5.1.5 Output Timing

A voltage signal at the input pin above the threshold voltage causes the power MOSFET to switch on with a dedicated slope which is optimized for low EMC emission. [Figure 11](#) shows the timing definition.

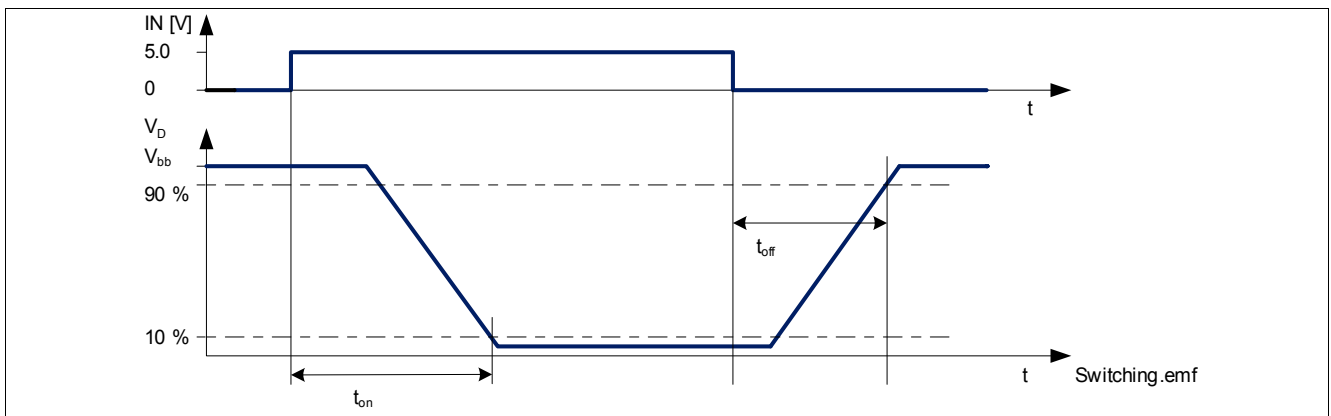


Figure 11 Definition of Power Output Timing for Resistive Load

**Block Description and Characteristics Input and Power Stage**
**5.1.6 Characteristics**

Note: Characteristics show the deviation of parameter at given input voltage and junction temperature. Typical values show the typical parameters expected from manufacturing.

All voltages with respect to Source Pin unless otherwise stated.

**Electrical Characteristics: Input and Power Stage**

$T_j = -40 \text{ °C}$  to  $+150 \text{ °C}$ , all voltages with respect to ground, positive current flowing into pin (unless otherwise specified)

Pos.	Parameter	Symbol	Limit Values			Unit	Test Conditions
			Min.	Typ.	Max.		
<b>Input</b>							
5.1.1	Nominal Input current	$I_{INnom}$	–	10	30	$\mu\text{A}$	$V_D = 0 \text{ V};$ $V_{IN} = 10 \text{ V}$
5.1.2	Input current protection mode	$I_{INlim}$	–	100	150	$\mu\text{A}$	$V_{IN} = 10 \text{ V};$ $T_J = 150 \text{ °C}$
5.1.3	Input threshold voltage	$V_{INTH}$	1.3	1.7	2.2	V	$V_D = V_{IN};$ $I_D = 50 \mu\text{A}$ $T_J = 25 \text{ °C}$
5.1.4			0.8	–	–	V	$V_D = V_{IN};$ $I_D = 50 \mu\text{A}, 150 \text{ °C}$
<b>Power Stage</b>							
5.1.5	On-State Resistance	$R_{DS(on)}$	–	0.9	–	$\Omega$	<sup>1)</sup> $T_J = 25 \text{ °C};$ $V_{IN} = 5 \text{ V};$ $I_D = 200\text{mA}$
5.1.6			–	1.8	2.4	$\Omega$	$T_J = 150 \text{ °C};$ $V_{IN} = 5 \text{ V};$ $I_D = 200\text{mA}$
5.1.7			–	0.7	–	$\Omega$	<sup>1)</sup> $T_J = 25 \text{ °C};$ $V_{IN} = 10 \text{ V};$ $I_D = 200\text{mA}$
5.1.8			–	1.4	1.9	$\Omega$	$T_J = 150 \text{ °C};$ $V_{IN} = 10 \text{ V};$ $I_D = 200\text{mA}$
5.1.9	Nominal load current	$I_{Dnom}$	350	520	–	mA	<sup>1)</sup> $T_J < 150 \text{ °C};$ $T_A = 105 \text{ °C}^{2)}$ ; $V_{IN} = 5 \text{ V}$
5.1.10	Zero input voltage drain current	$I_{DSS}$	–	–	5	$\mu\text{A}$	$V_{DS} = 13.5 \text{ V}; V_{IN} = 0 \text{ V};$ $T_J = 150 \text{ °C}$
			–	2.5	6	$\mu\text{A}$	$V_{DS} = 32 \text{ V}; V_{IN} = 0 \text{ V};$ $T_J = -40 \text{ °C}$ to $85 \text{ °C}$
			–	4	7	$\mu\text{A}$	$V_{DS} = 32 \text{ V}; V_{IN} = 0 \text{ V};$ $T_J = 150 \text{ °C}$

Block Description and Characteristics Input and Power Stage

Electrical Characteristics: Input and Power Stage (cont'd)

$T_j = -40 \text{ °C to } +150 \text{ °C}$ , all voltages with respect to ground, positive current flowing into pin  
(unless otherwise specified)

Pos.	Parameter	Symbol	Limit Values			Unit	Test Conditions
			Min.	Typ.	Max.		
<b>Switching</b> $V_{bb} = 12 \text{ V}$ , $R_L = 82 \Omega$							
5.1.11	Turn-on time	$t_{on}$	–	16	38	$\mu\text{s}$	$V_{IN} = 10 \text{ V to } 90\% I_D$
5.1.12	Turn-off time	$t_{off}$	–	15	45	$\mu\text{s}$	$V_{IN} = 0 \text{ V to } 10\% I_D$
5.1.13	Slew rate on	$dV_{ds}/dt_{on}$	–	2.5	9.3	$\text{V}/\mu\text{s}$	50% - 30% $V_{bb}$ ; $R_L = 82 \Omega$ ; $V_{IN} = 0 \text{ V to } 10 \text{ V}$ ; $V_{bb} = 12 \text{ V}$
5.1.14	Slew rate off	$dV_{ds}/dt_{off}$	–	6.0	18.2	$\text{V}/\mu\text{s}$	30% - 50% $V_{bb}$ ; $R_L = 82 \Omega$ ; $V_{IN} = 10 \text{ V to } 0 \text{ V}$ ; $V_{bb} = 12 \text{ V}$
<b>Inverse Diode</b>							
5.1.15	Inverse Diode forward voltage	$V_D$	–	-1.0	-1.5	V	$I_D = -1 \text{ A}$ ; $V_{IN} = 0 \text{ V}$

1) Not subject to production test, calculated by  $R_{thJA}$  and  $R_{DS(on)}$ .

2) Device mounted on PCB according EIA/JEDEC standard JESD51-7 (4-layer FR4, 76.2 mm × 114.3 mm with buried planes). PCB is mounted vertical without blown air.

## 6 Protection Functions

The device provides embedded protection functions. Integrated protection functions are designed to prevent IC destruction under fault conditions described in the data sheet. Fault conditions are considered as “outside” normal operation.

### 6.1 Thermal Protection

The device is protected against over temperature due to overload and / or bad cooling conditions. To ensure this a temperature sensor located in the Power MOSFET is used.

The BTS3205G has a thermal auto-restart function. After the device has cooled down it will switch on again see [Figure 12](#).

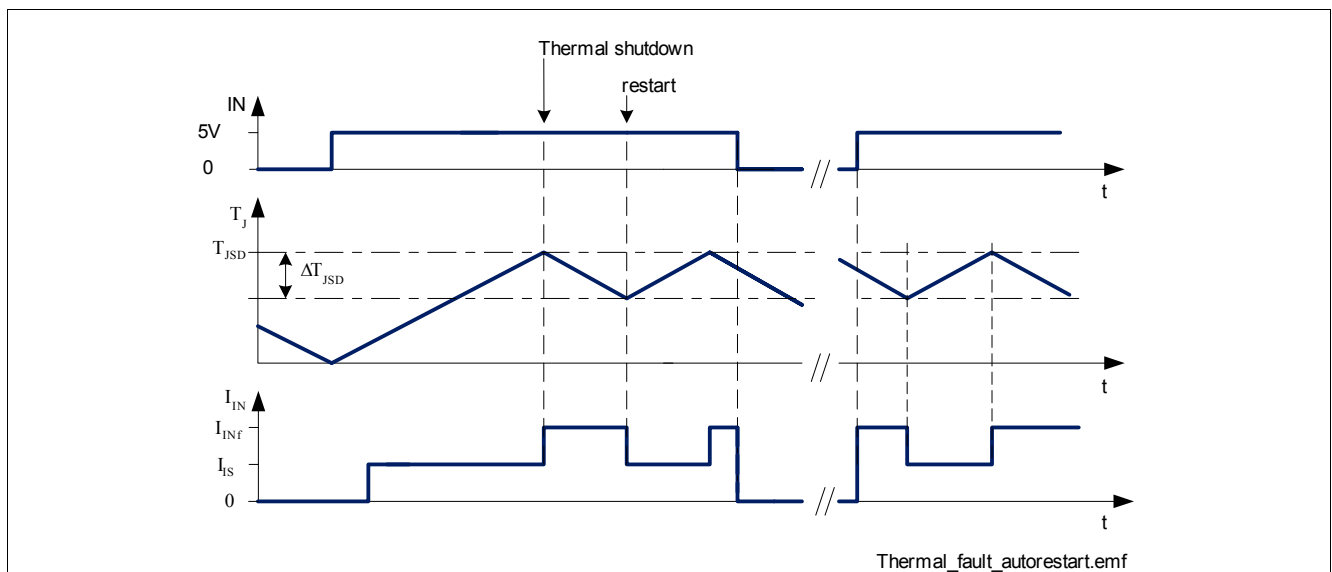


Figure 12 Error Signal via Input Current at Thermal Shutdown

### 6.2 Overvoltage Protection

When switching off inductive loads with low-side switches, the Drain-Source voltage  $V_D$  rises above battery potential, because the inductance intends to continue driving the current.

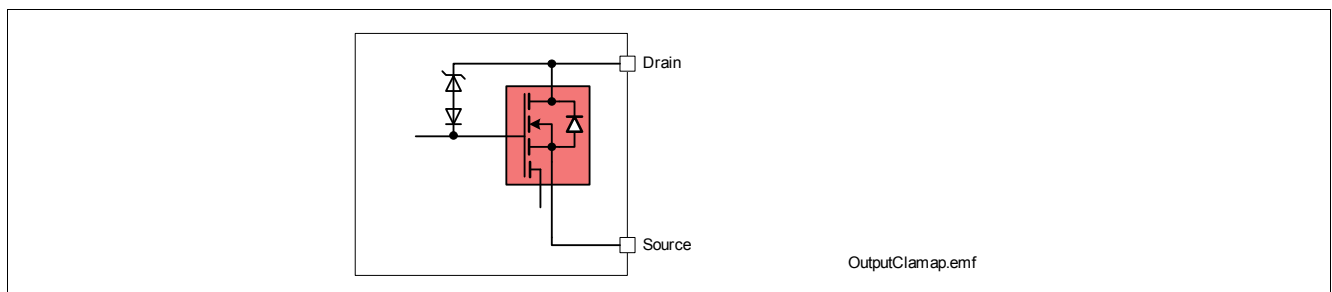
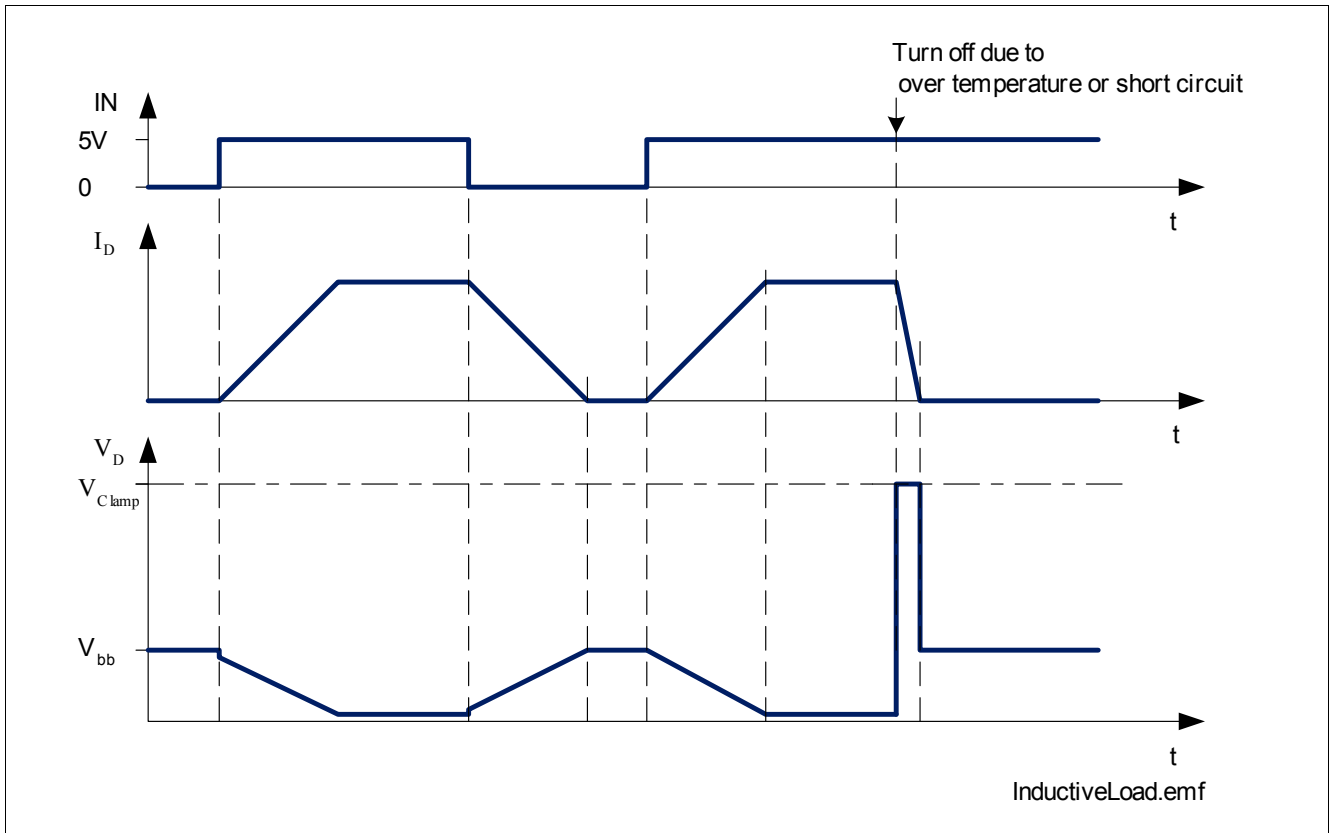


Figure 13 Output Clamp

The BTS3205G is equipped with a voltage clamp mechanism that keeps the Drain-Source voltage  $V_D$  at a certain level. See [Figure 13](#) and [Figure 14](#) for more details.



**Figure 14 Switching an Inductance**

While demagnetization of inductive loads, energy has to be dissipated in the BTS3205G. This energy can be calculated with following equation:

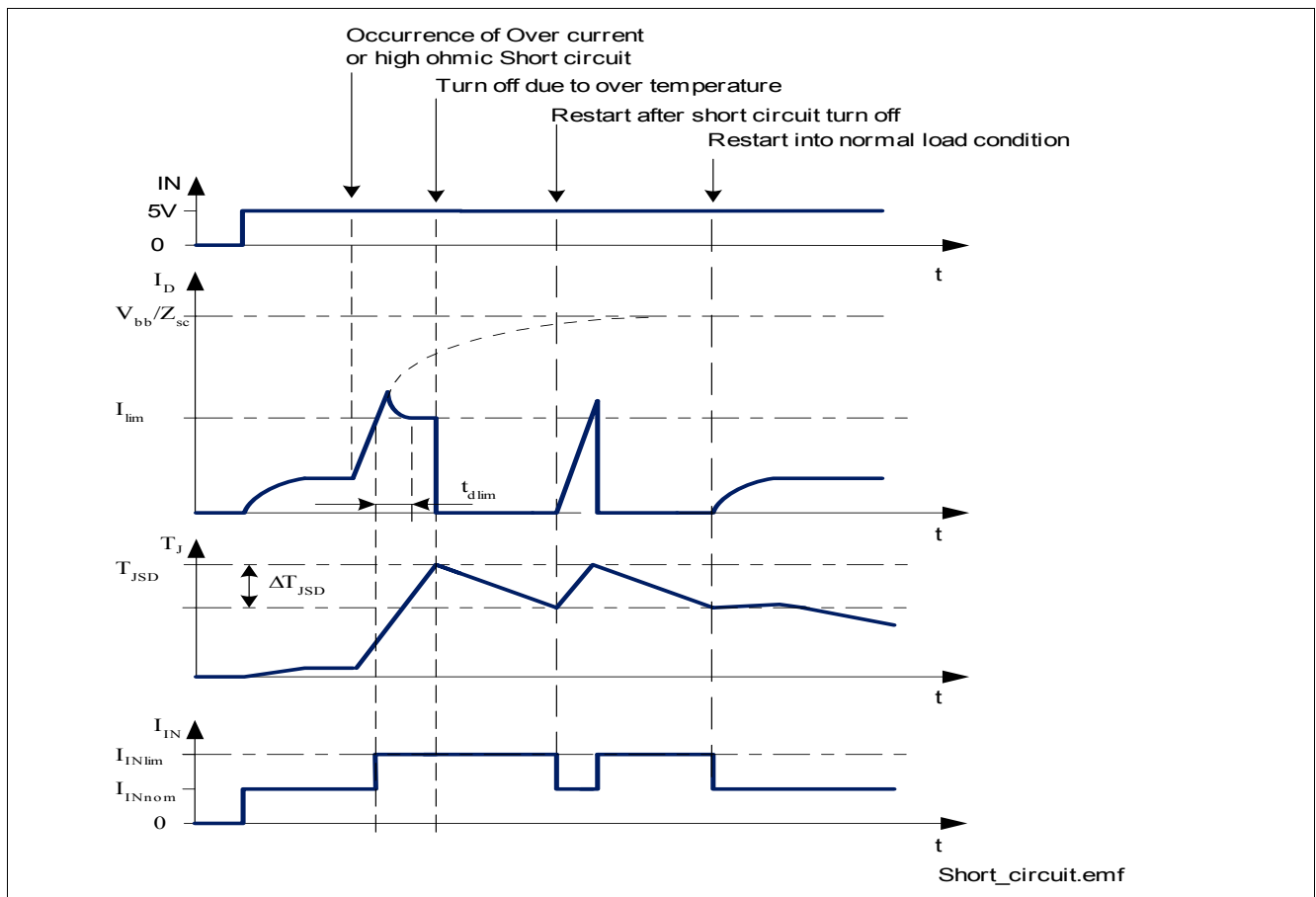
$$E = (V_{bb} + |V_{out(CL)}|) \cdot \left[ \frac{|V_{out(CL)}|}{R_L} \cdot \ln \left( 1 + \frac{R_L \cdot I_L}{|V_{out(CL)}|} \right) + I_L \right] \cdot \frac{L}{R_L} \quad (1)$$

Following equation simplifies under assumption of  $R_L = 0$

$$E = \frac{1}{2} L I_L^2 \cdot \left( 1 + \frac{V_{bb}}{|V_{out(CL)} - V_{bb}|} \right) \quad (2)$$

### 6.3 Short Circuit Protection

The condition short circuit is an overload condition of the device. If the current reaches the value of  $I_{lim}$  the device starts to limit the current. In the condition of current limitation the device heats up. If the thermal shutdown temperature is reached the device turns off. **Figure 15** shows this behavior. During the current limitation the input current is above  $I_{INnom}$ . During the time period  $t_{dlim}$ , the current can be above  $I_{lim}$ .



**Figure 15 Short Circuit Behavior of BTS3205G**

As the device is a low side switch it can be assumed that the Source to Ground path has a neglectable low impedance and resistance. Therefore all impedance and resistance in the load path during short circuit is merged into  $Z_{sc}$ .

## 6.4 Characteristics

Note: Characteristics show the deviation of parameter at given input voltage and junction temperature. Typical values show the typical parameters expected from manufacturing.

### Electrical Characteristics: Protection Functions

$T_j = -40 \text{ °C}$  to  $+150 \text{ °C}$ ; all voltages with respect to ground, positive current flowing into pin (unless otherwise specified)

Pos.	Parameter	Symbol	Limit Values			Unit	Test Conditions	
			Min.	Typ.	Max.			
<b>Thermal Protection</b>								
6.4.1	Thermal shut down junction temperature	$T_{\text{JSD}}$	150	175 <sup>1)</sup>	–	°C	–	
6.4.2	Thermal hysteresis	$\Delta T_{\text{JSD}}$	–	10	–	K	<sup>1)</sup>	
<b>Overvoltage Protection</b>								
6.4.3	Drain clamp voltage	$V_{\text{Clamp}}$	42	–	55	V	$V_{\text{IN}} = 0 \text{ V};$ $I_{\text{D}} = 10 \text{ mA};$	
<b>Current Limitation and Short Circuit Protection</b>								
6.4.4	Current limitation	$I_{\text{lim}}$	0.6	0.9	1.2	A	$V_{\text{IN}} = 10 \text{ V}; V_{\text{DS}} = 12 \text{ V};$ $t_{\text{measure}} = 4 \times t_{\text{dlim}}$ $T_{\text{J}} = 25 \text{ °C}^{1)}$	
			0.3	–	–			$T_{\text{J}} = 150 \text{ °C}$
			–	–	1.4			$T_{\text{J}} = -40 \text{ °C}^{1)}$
6.4.5	Current limitation delay time	$t_{\text{dlim}}$	–	–	50	μs	<sup>1)</sup>	

1) Not subject to production test, specified by design.

## 7 Package Outlines BTS3205G

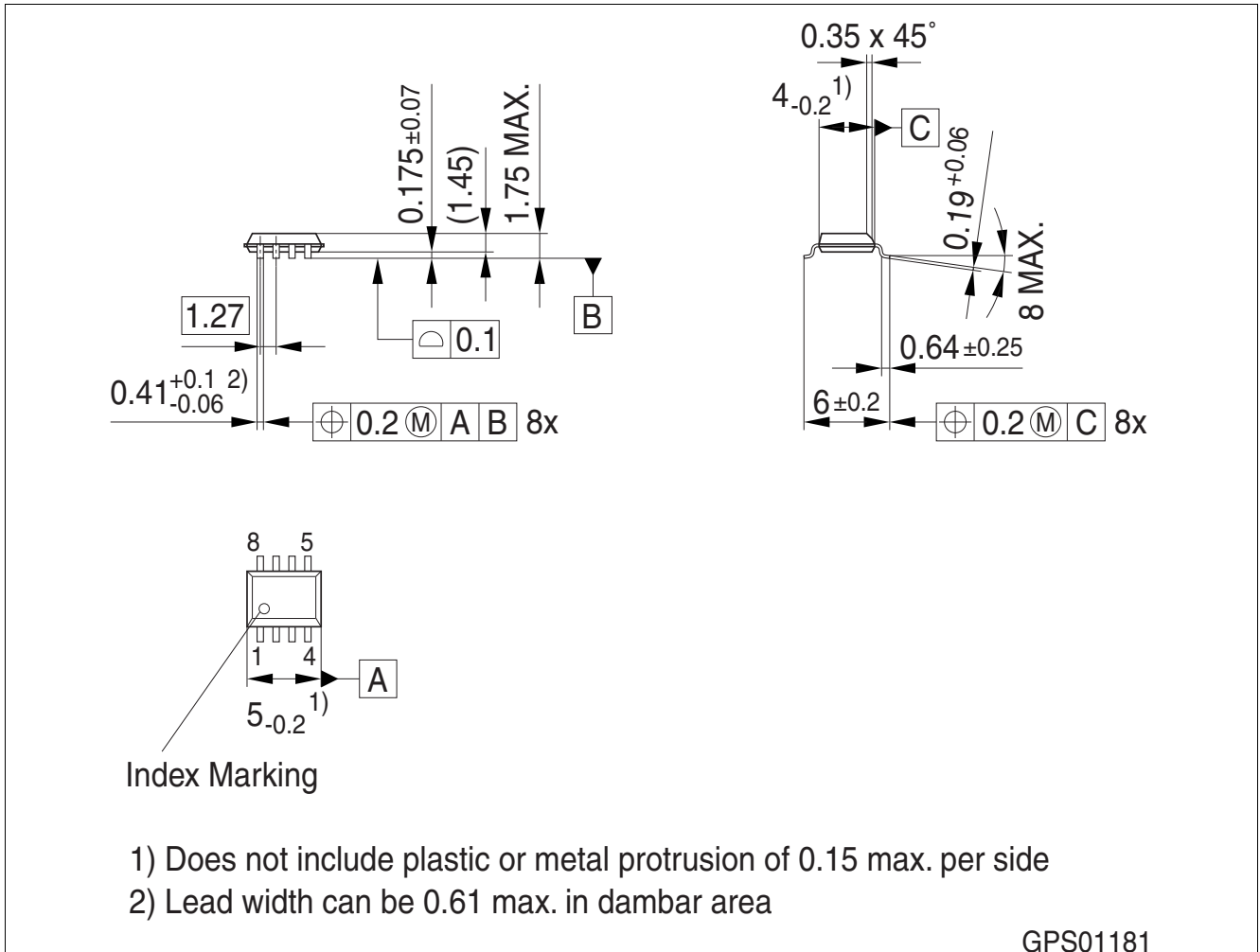


Figure 16 PG-DSO-8-24 (Plastic Dual Small Outline Package)

### Green Product (RoHS compliant)

To meet the world-wide customer requirements for environmentally friendly products and to be compliant with government regulations the device is available as a green product. Green products are RoHS-Compliant (i.e. Pb-free finish on leads and suitable for Pb-free soldering according to IPC/JEDEC J-STD-020).

## 8 Revision History

Version	Date	Changes
Rev. 1.1	2011-09-01	fixed a typo in EAR test conditions in chapter Max ratings updated Feature list and rephrased Detailed Description fixed a spelling error in 5.1.3 regarding "dependency"
Rev. 1.0	2008-09-25	released data sheet

**Edition 2011-09-01**

**Published by  
Infineon Technologies AG  
81726 Munich, Germany**

**© 2011 Infineon Technologies AG  
All Rights Reserved.**

### **Legal Disclaimer**

The information given in this document shall in no event be regarded as a guarantee of conditions or characteristics. With respect to any examples or hints given herein, any typical values stated herein and/or any information regarding the application of the device, Infineon Technologies hereby disclaims any and all warranties and liabilities of any kind, including without limitation, warranties of non-infringement of intellectual property rights of any third party.

### **Information**

For further information on technology, delivery terms and conditions and prices, please contact the nearest Infineon Technologies Office ([www.infineon.com](http://www.infineon.com)).



### **Warnings**

Due to technical requirements, components may contain dangerous substances. For information on the types in question, please contact the nearest Infineon Technologies Office.

Infineon Technologies components may be used in life-support devices or systems only with the express written approval of Infineon Technologies, if a failure of such components can reasonably be expected to cause the failure of that life-support device or system or to affect the safety or effectiveness of that device or system. Life support devices or systems are intended to be implanted in the human body or to support and/or maintain and sustain and/or protect human life. If they fail, it is reasonable to assume that the health of the user or other persons may be endangered.

## Looking for pricing, stock, or lifecycle information?

Click below to explore more details on WIN SOURCE:

-  [View BTS3205G on WIN SOURCE](#)
-  [Infineon Technologies Information](#)

## Optimize Your Supply Chain with WIN SOURCE Solutions

-  Global Sourcing Solution
-  Obsolete Management
-  Cost Control Management
-  Shortage Management
-  Alternative Solution
-  Excess Inventory Management