

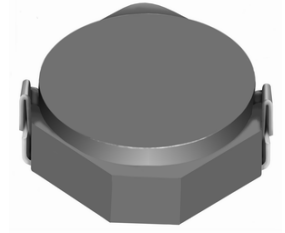


**THE DATASHEET OF
CDRH4D16FB/NP-100MC**

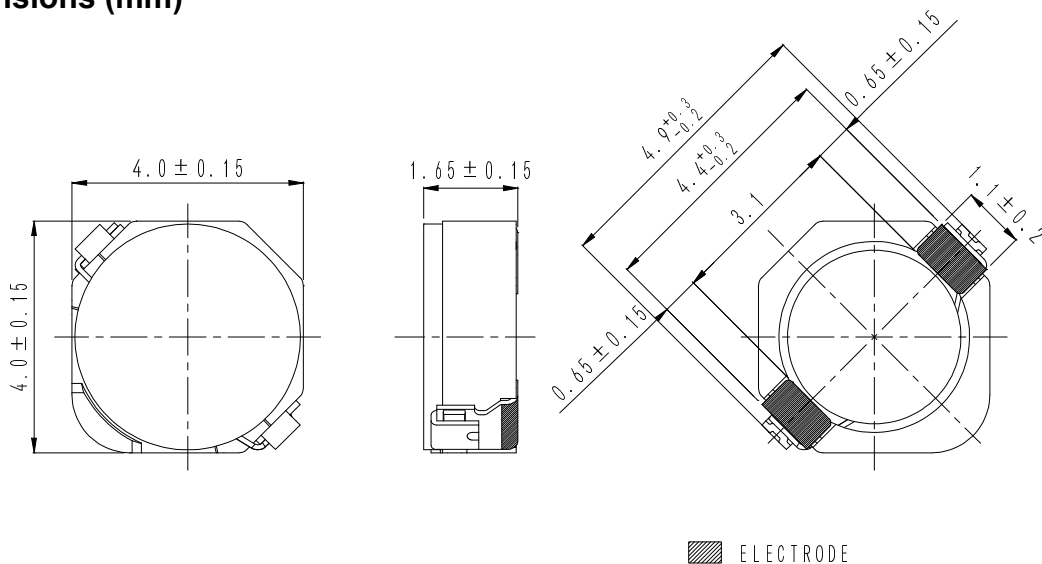
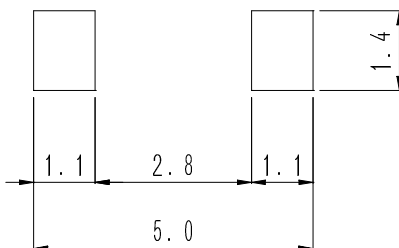


Type: CDRH4D16FB
◆ Product Description

- 4.15×4.15mm Max.(L×W), 1.8mm Max. Height.
- Inductance range: 1.3~22 μ H.
- Rated current range: 0.52~2.3A.
- In addition to the standards versions shown here, custom inductors are also available to meet your exact requirements.


◆ Feature

- Magnetically shielded construction.
- Ideally used in Mobile phone,PDA,MP3,HDD,DSC/DVC,etc as DC-DC converter inductors.
- RoHS Compliance and Halogen free.

◆ Dimensions (mm)

◆ Land Pattern (mm)


Type: CDRH4D16FB
◆ Specification

Part Name ※	Stamp	Inductance (μ H) 100kHz/1V	D.C.R. (m Ω) Max.(Typ.) (at 20°C)	Saturation Current (A) ※1		Temperature Rise Current (A) ※2
				(at 20°C)	(at 100°C)	
CDRH4D16FB/NP-1R3N□	A	1.3 \pm 25%	29.3(22.5)	2.30	1.50	2.8
CDRH4D16FB/NP-1R8N□	B	1.8 \pm 25%	34.5(27.6)	1.90	1.30	2.7
CDRH4D16FB/NP-2R4N□	C	2.4 \pm 25%	37.9(30.3)	1.70	1.20	2.6
CDRH4D16FB/NP-3R0N□	D	3.0 \pm 25%	39.6(31.7)	1.50	1.10	2.4
CDRH4D16FB/NP-3R9N□	E	3.9 \pm 25%	56.7(43.6)	1.35	1.00	2.1
CDRH4D16FB/NP-4R7N□	F	4.7 \pm 25%	58.5(46.8)	1.20	0.90	2.0
CDRH4D16FB/NP-6R8N□	G	6.8 \pm 25%	81.25(65.0)	1.00	0.75	1.5
CDRH4D16FB/NP-8R5N□	H	8.5 \pm 25%	107.0(89.1)	0.90	0.65	1.3
CDRH4D16FB/NP-100M□	J	10 \pm 20%	118.0(98.0)	0.80	0.60	1.2
CDRH4D16FB/NP-150M□	K	15 \pm 20%	178.8(149.0)	0.65	0.50	1.0
CDRH4D16FB/NP-220M□	L	22 \pm 20%	288.0(240.0)	0.52	0.40	0.75

※ Description of part name

CDRH4D16FB/NP-2R0N□

- B Box
- C Carrier Tape

※1.Saturation current: The DC current at which the inductance decreases to 65% of it's nominal value.

※2. Temperature rise current:The DC current at which the temperature rise is $\Delta t=40^{\circ}\text{C}$.($T_a=20^{\circ}\text{C}$)

Looking for pricing, stock, or lifecycle information?

Click below to explore more details on WIN SOURCE:

- ⊖ [View CDRH4D16FB/NP-100MC on WIN SOURCE](#)
- ⊖ [Sumida America Components Inc. Information](#)

Optimize Your Supply Chain with WIN SOURCE Solutions

- ✓ Global Sourcing Solution
- ✓ Obsolete Management
- ✓ Cost Control Management
- ✓ Shortage Management
- ✓ Alternative Solution
- ✓ Excess Inventory Management