



**THE DATASHEET OF  
BTS410E2NKSA1**



# Smart High-Side Power Switch



## Features

- Overload protection
- Current limitation
- Short circuit protection
- Thermal shutdown
- Overvoltage protection (including load dump)
- Fast demagnetization of inductive loads
- Reverse battery protection<sup>1)</sup>
- Undervoltage and overvoltage shutdown with auto-restart and hysteresis
- Open drain diagnostic output
- Open load detection in ON-state
- CMOS compatible input
- Loss of ground and loss of  $V_{bb}$  protection
- Electrostatic discharge (ESD) protection
- Green Product (RoHS compliant)
- AEC Qualified

Product Summary			
Overvoltage protection	$V_{bb(AZ)}$	65	V
Operating voltage	$V_{bb(on)}$	4.7 ... 42	V
On-state resistance	$R_{ON}$	220	m $\Omega$
Load current (ISO)	$I_{L(ISO)}$	1.8	A
Current limitation	$I_{L(SCr)}$	5	A

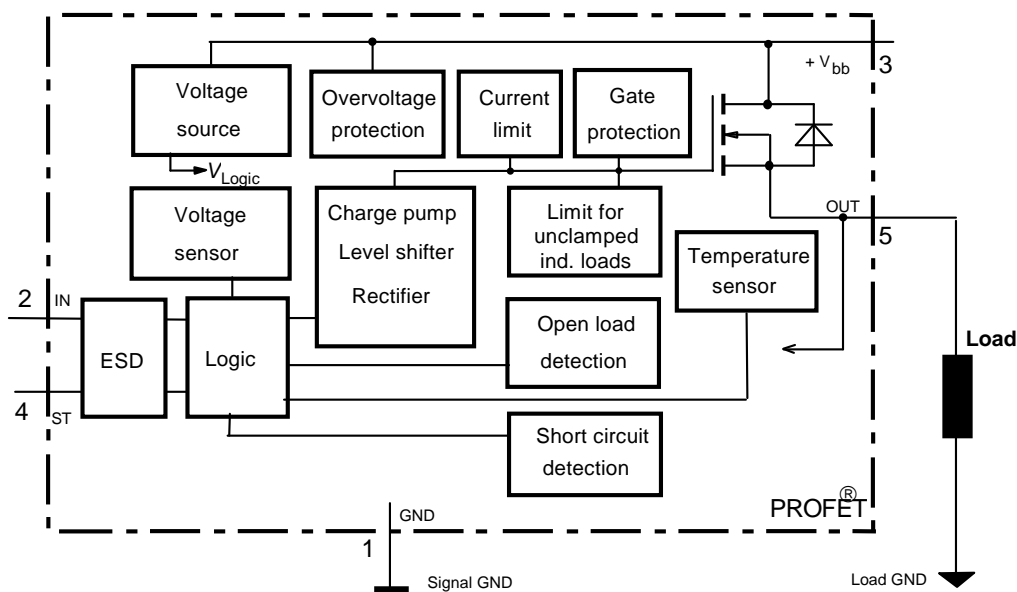


## Application

- $\mu$ C compatible power switch with diagnostic feedback for 12 V and 24 V DC grounded loads
- All types of resistive, inductive and capacitive loads
- Replaces electromechanical relays, fuses and discrete circuits

## General Description

N channel vertical power FET with charge pump, ground referenced CMOS compatible input and diagnostic feedback, monolithically integrated in Smart SIPMOS® technology. Providing embedded protective functions.



<sup>1)</sup> With external current limit (e.g. resistor  $R_{GND}=150 \Omega$ ) in GND connection, resistors in series with IN and ST connections, reverse load current limited by connected load.

Pin	Symbol		Function
1	GND	-	Logic ground
2	IN	I	Input, activates the power switch in case of logical high signal
3	V <sub>bb</sub>	+	Positive power supply voltage, the tab is shorted to this pin
4	ST	S	Diagnostic feedback, low on failure
5	OUT (Load, L)	O	Output to the load

**Maximum Ratings** at  $T_j = 25\text{ °C}$  unless otherwise specified

Parameter	Symbol	Values	Unit
Supply voltage (overvoltage protection see page 3)	$V_{bb}$	65	V
Load dump protection <sup>2)</sup> $V_{LoadDump} = U_A + V_s$ , $U_A = 13.5\text{ V}$ $R_i^3) = 2\ \Omega$ , $R_L = 6.6\ \Omega$ , $t_d = 400\text{ ms}$ , IN= low or high	$V_{Load\ dump}^4)$	100	V
Load current (Short circuit current, see page 4)	$I_L$	self-limited	A
Operating temperature range	$T_j$	-40 ... +150	°C
Storage temperature range	$T_{stg}$	-55 ... +150	
Power dissipation (DC), $T_C \leq 25\text{ °C}$	$P_{tot}$	50	W
Inductive load switch-off energy dissipation, single pulse $V_{bb} = 12\text{ V}$ , $T_{j,start} = 150\text{ °C}$ , $T_C = 150\text{ °C}$ const. $I_L = 1.8\text{ A}$ , $Z_L = 2.3\text{ H}$ , $0\ \Omega$ :	$E_{AS}$	4.5	J
Electrostatic discharge capability (ESD) (Human Body Model) IN: acc. MIL-STD883D, method 3015.7 and ESD assn. std. S5.1-1993 all other pins:	$V_{ESD}$	1 2	kV
Input voltage (DC)	$V_{IN}$	-0.5 ... +6	V
Current through input pin (DC)	$I_{IN}$	$\pm 5.0$	mA
Current through status pin (DC) see internal circuit diagrams page 6	$I_{ST}$	$\pm 5.0$	

**Thermal Characteristics**

Parameter and Conditions	Symbol	Values			Unit
		min	typ	max	
Thermal resistance chip - case:	$R_{thJC}$	--	--	2.5	K/W
junction - ambient (free air):	$R_{thJA}$	--	--	75	
SMD version, device on PCB <sup>5)</sup> :		--	35	--	

<sup>2)</sup> Supply voltages higher than  $V_{bb(AZ)}$  require an external current limit for the GND and status pins, e.g. with a  $150\ \Omega$  resistor in the GND connection and a  $15\text{ k}\Omega$  resistor in series with the status pin. A resistor for the protection of the input is integrated.

<sup>3)</sup>  $R_i$  = internal resistance of the load dump test pulse generator



<sup>4)</sup>  $V_{Load\ dump}$  is setup without the DUT connected to the generator per ISO 7637-1 and DIN 40839

<sup>5)</sup> Device on  $50\text{ mm} \times 50\text{ mm} \times 1.5\text{ mm}$  epoxy PCB FR4 with  $6\text{ cm}^2$  (one layer,  $70\ \mu\text{m}$  thick) copper area for  $V_{bb}$  connection. PCB is vertical without blown air.

## Electrical Characteristics

Parameter and Conditions	Symbol	Values			Unit
		min	typ	max	
at $T_j = 25\text{ °C}$ , $V_{bb} = 12\text{ V}$ unless otherwise specified					

### Load Switching Capabilities and Characteristics

On-state resistance (pin 3 to 5) $I_L = 1.6\text{ A}$	$T_j = 25\text{ °C}$ : $T_j = 150\text{ °C}$ :	$R_{ON}$	--	190 390	220 440	mΩ
Nominal load current, ISO Norm (pin 3 to 5) $V_{ON} = 0.5\text{ V}$ , $T_C = 85\text{ °C}$		$I_{L(ISO)}$	1.6	1.8	--	A
Output current (pin 5) while GND disconnected or GND pulled up, $V_{bb} = 30\text{ V}$ , $V_{IN} = 0$ , see diagram page 7, $T_j = -40\text{...}+150\text{ °C}$		$I_{L(GNDhigh)}$	--	--	1	mA
Turn-on time IN  to 90% $V_{OUT}$ :		$t_{on}$	12	--	125	μs
Turn-off time IN  to 10% $V_{OUT}$ :		$t_{off}$	5	--	85	μs
$R_L = 12\text{ Ω}$ , $T_j = -40\text{...}+150\text{ °C}$						
Slew rate on 10 to 30% $V_{OUT}$ , $R_L = 12\text{ Ω}$ , $T_j = -40\text{...}+150\text{ °C}$		$dV/dt_{on}$	--	--	3	V/μs
Slew rate off 70 to 40% $V_{OUT}$ , $R_L = 12\text{ Ω}$ , $T_j = -40\text{...}+150\text{ °C}$		$-dV/dt_{off}$	--	--	6	V/μs

Operating Parameters						
Operating voltage <sup>6)</sup>	$T_j = -40\text{...}+150\text{ °C}$ :	$V_{bb(on)}$	4.7	--	42	V
Undervoltage shutdown	$T_j = 25\text{ °C}$ :	$V_{bb(under)}$	2.9	--	4.5	V
	$T_j = -40\text{...}+150\text{ °C}$ :		2.7	--	4.7	
Undervoltage restart	$T_j = -40\text{...}+150\text{ °C}$ :	$V_{bb(u\ rst)}$	--	--	4.9	V
Undervoltage restart of charge pump see diagram page 13		$V_{bb(ucp)}$	--	5.6	6.0	V
Undervoltage hysteresis $\Delta V_{bb(under)} = V_{bb(u\ rst)} - V_{bb(under)}$		$\Delta V_{bb(under)}$	--	0.1	--	V
Overshoot shutdown	$T_j = -40\text{...}+150\text{ °C}$ :	$V_{bb(over)}$	42	--	52	V
Overshoot restart	$T_j = -40\text{...}+150\text{ °C}$ :	$V_{bb(o\ rst)}$	40	--	--	V
Overshoot hysteresis	$T_j = -40\text{...}+150\text{ °C}$ :	$\Delta V_{bb(over)}$	--	0.1	--	V
Overshoot protection <sup>7)</sup> $I_{bb} = 4\text{ mA}$	$T_j = -40\text{...}+150\text{ °C}$ :	$V_{bb(AZ)}$	65	70	--	V
Standby current (pin 3) $V_{IN} = 0$	$T_j = -40\text{...}+25\text{ °C}$ :	$I_{bb(off)}$	--	10	15	μA
	$T_j = 150\text{ °C}$ :		--	18	25	
Leakage output current (included in $I_{bb(off)}$ ) $V_{IN} = 0$		$I_{L(off)}$	--	--	20	μA

<sup>6)</sup> At supply voltage increase up to  $V_{bb} = 5.6\text{ V}$  typ without charge pump,  $V_{OUT} \approx V_{bb} - 2\text{ V}$

<sup>7)</sup> Measured without load. See also  $V_{ON(CL)}$  in table of protection functions and circuit diagram page 7.

Parameter and Conditions	Symbol	Values			Unit
		min	typ	max	
at $T_j = 25\text{ °C}$ , $V_{bb} = 12\text{ V}$ unless otherwise specified					
Operating current (Pin 1) <sup>8)</sup> , $V_{IN}=5\text{ V}$ , $T_j = -40\dots+150\text{ °C}$	$I_{GND}$	--	1	2.1	mA

**Protection Functions<sup>9)</sup>**

Initial peak short circuit current limit (pin 3 to 5) <sup>10)</sup> , ( max 450 $\mu\text{s}$ if $V_{ON} > V_{ON(SC)}$ )	$I_{L(SCp)}$				
$T_j = -40\text{ °C}$ :		9	--	23	A
$T_j = 25\text{ °C}$ :		--	12	--	
$T_j = +150\text{ °C}$ :		4	--	15	
Repetitive overload shutdown current limit	$I_{L(SCr)}$				
$V_{ON} = 8\text{ V}$ , $T_j = T_{jt}$ (see timing diagrams, page 11)		--	5	--	A
Short circuit shutdown delay after input pos. slope $V_{ON} > V_{ON(SC)}$ , min value valid only, if input "low" time exceeds 60 $\mu\text{s}$	$t_d(SC)$	--	--	450	$\mu\text{s}$
Output clamp (inductive load switch off) at $V_{OUT} = V_{bb} - V_{ON(CL)}$ $I_L = 40\text{ mA}$ , $T_j = -40\dots+150\text{ °C}$ :	$V_{ON(CL)}$	61	68	73	V
$I_L = 1\text{ A}$ , $T_j = -40\dots+150\text{ °C}$ :		--	--	75	
Short circuit shutdown detection voltage (pin 3 to 5)	$V_{ON(SC)}$	--	8.5	--	V
Thermal overload trip temperature	$T_{jt}$	150	--	--	$\text{°C}$
Thermal hysteresis	$\Delta T_{jt}$	--	10	--	K
Reverse battery (pin 3 to 1) <sup>11)</sup>	$-V_{bb}$	--	--	32	V


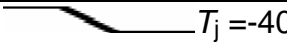
<b>Diagnostic Characteristics</b>					
Open load detection current (on-condition)	$I_L(OL)$				
$T_j = -40\dots+150\text{ °C}$ :		2	--	150	mA

<sup>8)</sup> Add  $I_{ST}$ , if  $I_{ST} > 0$ , add  $I_{IN}$ , if  $V_{IN} > 5.5\text{ V}$

<sup>9)</sup> Integrated protection functions are designed to prevent IC destruction under fault conditions described in the data sheet. Fault conditions are considered as "outside" normal operating range. Protection functions are not designed for continuous repetitive operation.

<sup>10)</sup> Short circuit current limit for max. duration of  $t_d(SC)_{max} = 450\text{ }\mu\text{s}$ , prior to shutdown

<sup>11)</sup> Requires 150  $\Omega$  resistor in GND connection. The reverse load current through the intrinsic drain-source diode has to be limited by the connected load. Note that the power dissipation is higher compared to normal operating conditions due to the voltage drop across the intrinsic drain-source diode. The temperature protection is not active during reverse current operation! Input and Status currents have to be limited (see max. ratings page 2 and circuit page 7).

Parameter and Conditions	Symbol	Values			Unit
		min	typ	max	
at $T_j = 25\text{ °C}$ , $V_{bb} = 12\text{ V}$ unless otherwise specified					
<b>Input and Status Feedback<sup>12)</sup></b>					
Input turn-on threshold voltage 	$V_{IN(T+)}$	1.5	--	2.4	V
Input turn-off threshold voltage 	$V_{IN(T-)}$	1.0	--	--	V
Input threshold hysteresis	$\Delta V_{IN(T)}$	--	0.5	--	V
Off state input current (pin 2), $V_{IN} = 0.4\text{ V}$	$I_{IN(off)}$	1	--	30	$\mu\text{A}$
On state input current (pin 2), $V_{IN} = 5\text{ V}$	$I_{IN(on)}$	10	25	70	$\mu\text{A}$
Status invalid after positive input slope (short circuit) $T_j = -40 \dots +150\text{ °C}$ :	$t_{d(ST\ SC)}$	--	--	450	$\mu\text{s}$
Status invalid after positive input slope (open load) $T_j = -40 \dots +150\text{ °C}$ :	$t_{d(ST)}$	300	--	1400	$\mu\text{s}$
Status output (open drain)					
Zener limit voltage $T_j = -40 \dots +150\text{ °C}$ , $I_{ST} = +50\text{ }\mu\text{A}$ :	$V_{ST(high)}$	5.0	6	--	V
ST low voltage $T_j = -40 \dots +150\text{ °C}$ , $I_{ST} = +1.6\text{ mA}$ :	$V_{ST(low)}$	--	--	0.4	

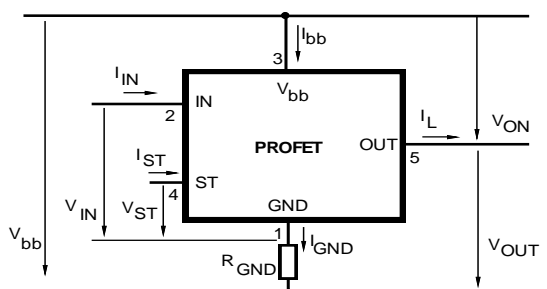
<sup>12)</sup> If a ground resistor  $R_{GND}$  is used, add the voltage drop across this resistor.

### Truth Table

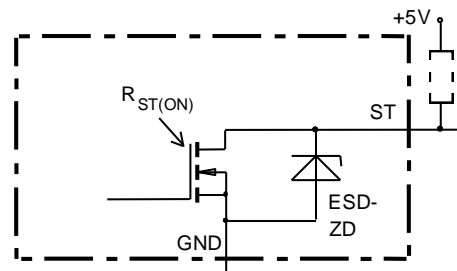
	Input- level	Output level	412 B2	410 D2	410 E2/F2	410 G2	410 H2
<b>Normal operation</b>	L H	L H	H H	H H	H H	H H	H H
<b>Open load</b>	L H	<sup>13)</sup> H	L H	H L	H L	H L	L H
<b>Short circuit to GND</b>	L H	L L	H L	H L	H L	H L	H L
<b>Short circuit to V<sub>bb</sub></b>	L H	H H	L H	H (L <sup>14</sup> )	H (L <sup>14</sup> )	H (L <sup>14</sup> )	L H
<b>Overtem- perature</b>	L H	L L	L L	L L	L L	L L	L L
<b>Under- voltage</b>	L H	L L	L <sup>15)</sup> L <sup>15)</sup>	L <sup>15)</sup> L <sup>15)</sup>	H H	H H	H H
<b>Overvoltage</b>	L H	L L	L L	L L	H H	H H	H H

L = "Low" Level      X = don't care      Z = high impedance, potential depends on external circuit  
H = "High" Level      Status signal after the time delay shown in the diagrams (see fig 5. page 12...13)

### Terms

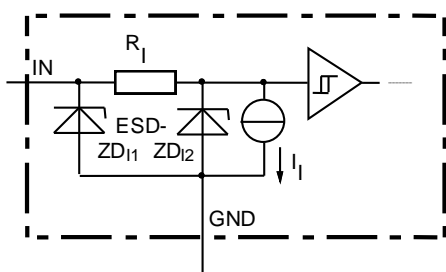


### Status output



ESD-Zener diode: 6 V typ., max 5 mA;  
 $R_{ST(ON)} < 250 \Omega$  at 1.6 mA, ESD zener diodes are not to be used as voltage clamp at DC conditions.  
Operation in this mode may result in a drift of the zener voltage (increase of up to 1 V).

### Input circuit (ESD protection)

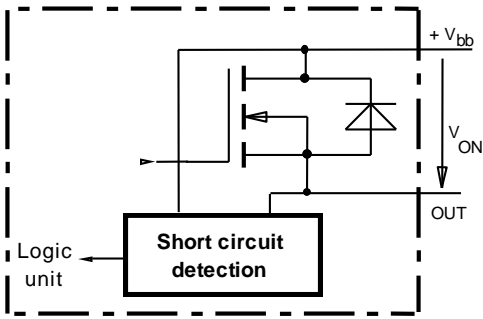


ZD<sub>11</sub> 6 V typ., ESD zener diodes are not to be used as voltage clamp at DC conditions. Operation in this mode may result in a drift of the zener voltage (increase of up to 1 V).

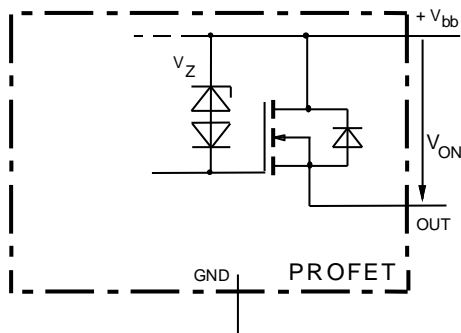
<sup>13)</sup> Power Transistor off, high impedance, versions BTS 410H, BTS 412B: internal pull up current source for open load detection.  
<sup>14)</sup> Low resistance short V<sub>bb</sub> to output may be detected in ON-state by the no-load-detection  
<sup>15)</sup> No current sink capability during undervoltage shutdown

**Short circuit detection**

Fault Condition:  $V_{ON} > 8.5 \text{ V typ.}; \text{IN high}$

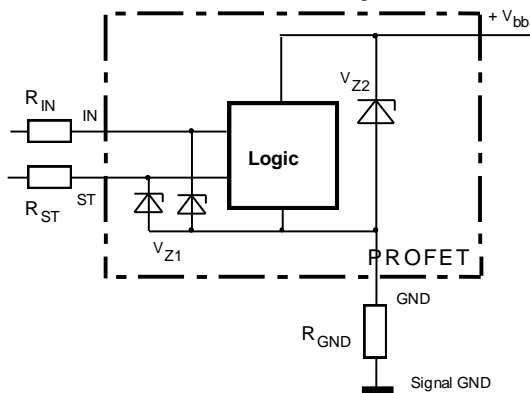


**Inductive and overvoltage output clamp**



$V_{ON}$  clamped to 68 V typ.

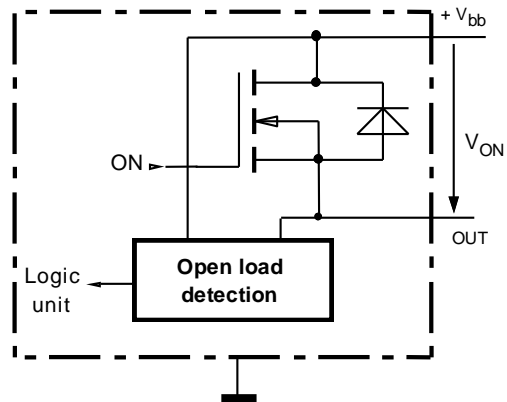
**Overvolt. and reverse batt. protection**



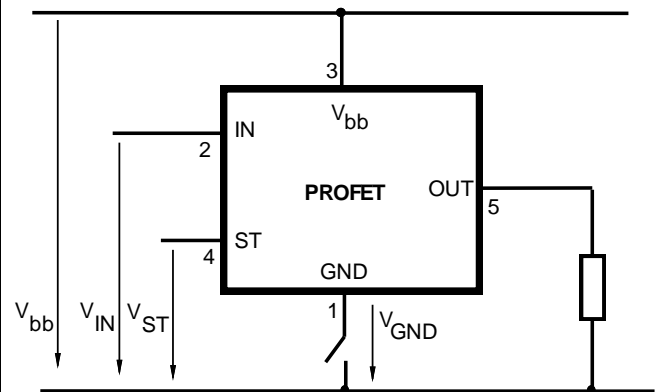
$V_{Z1} = 6.2 \text{ V typ.}, V_{Z2} = 70 \text{ V typ.}, R_{GND} = 150 \Omega, R_{IN}, R_{ST} = 15 \text{ k}\Omega$

**Open-load detection**

ON-state diagnostic condition:  $V_{ON} < R_{ON} * I_{L(OL)}; \text{IN high}$

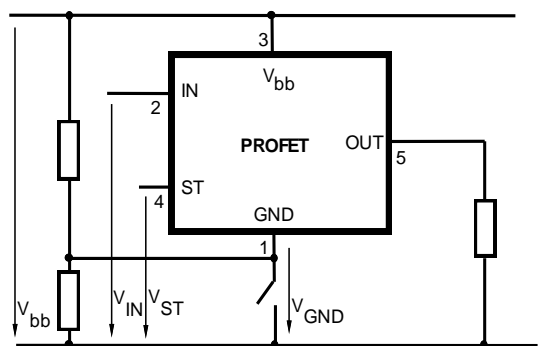


**GND disconnect**



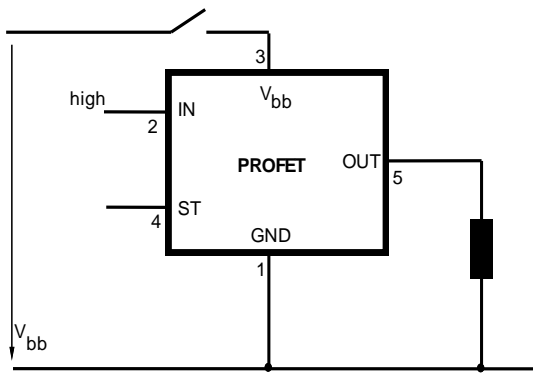
Any kind of load. In case of Input=high is  $V_{OUT} \approx V_{IN} - V_{IN(T+)}$ .  
Due to  $V_{GND} > 0$ , no  $V_{ST} = \text{low}$  signal available.

**GND disconnect with GND pull up**



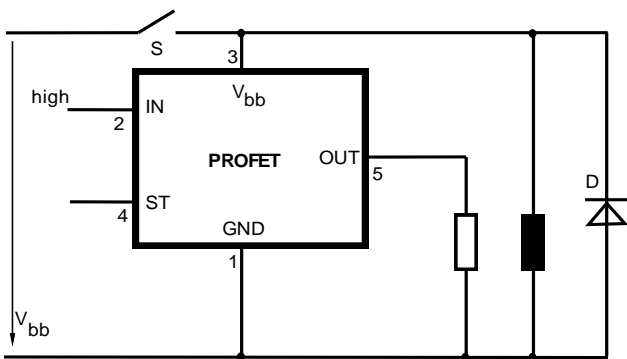
Any kind of load. If  $V_{GND} > V_{IN} - V_{IN(T+)}$  device stays off  
Due to  $V_{GND} > 0$ , no  $V_{ST} = \text{low}$  signal available.

**V<sub>bb</sub> disconnect with energized inductive load**



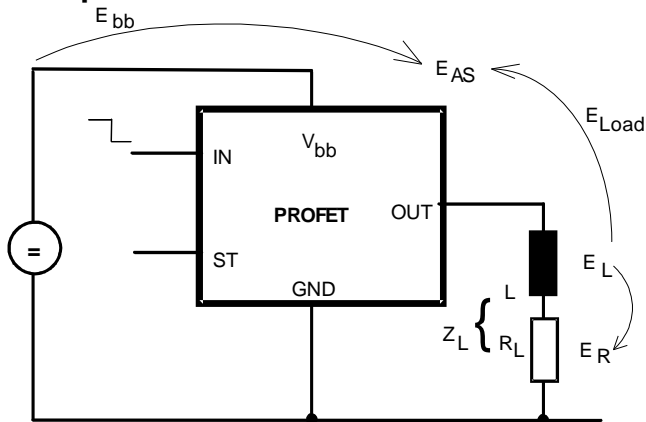
Normal load current can be handled by the PROFET itself.

**V<sub>bb</sub> disconnect with charged external inductive load**



If other external inductive loads L are connected to the PROFET, additional elements like D are necessary.

**Inductive Load switch-off energy dissipation**



Energy stored in load inductance:

$$E_L = 1/2 \cdot L \cdot I_L^2$$

While demagnetizing load inductance, the energy dissipated in PROFET is

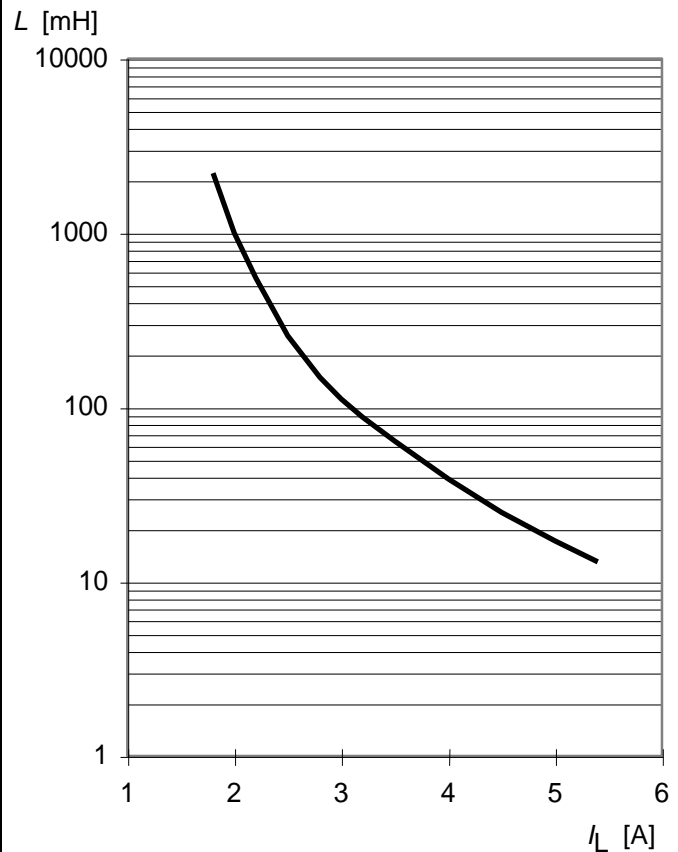
$$E_{AS} = E_{bb} + E_L - E_R = \int V_{ON(CL)} \cdot i_L(t) dt,$$

with an approximate solution for  $R_L > 0 \Omega$ :

$$E_{AS} = \frac{I_L \cdot L}{2 \cdot R_L} \cdot (V_{bb} + |V_{OUT(CL)}|) \cdot \ln \left( 1 + \frac{I_L \cdot R_L}{|V_{OUT(CL)}|} \right)$$

**Maximum allowable load inductance for a single switch off**

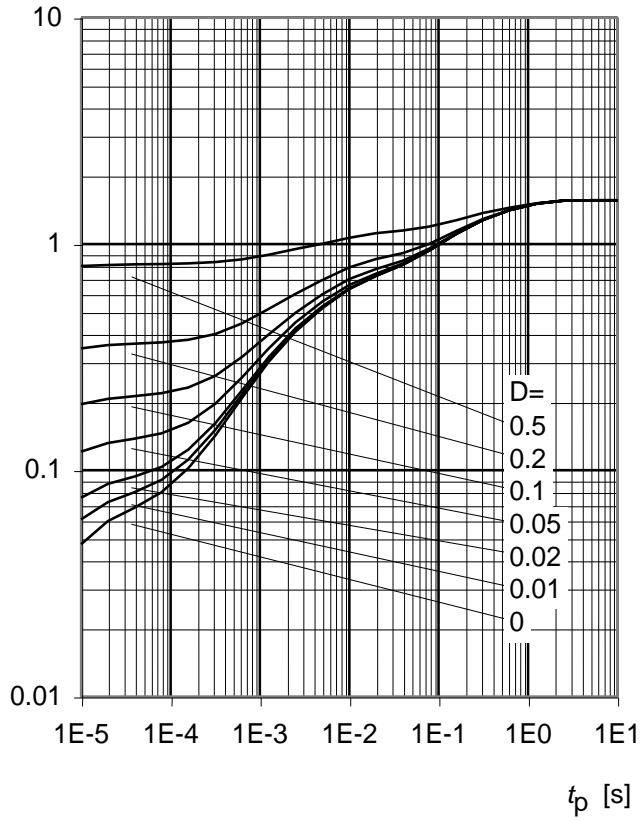
$L = f(I_L)$ ;  $T_{j,start} = 150^\circ\text{C}$ ,  $T_C = 150^\circ\text{C}$  const.,  
 $V_{bb} = 12\text{ V}$ ,  $R_L = 0 \Omega$



**Typ. transient thermal impedance chip case**

$$Z_{thJC} = f(t_p, D), D = t_p / T$$

$Z_{thJC}$  [K/W]



## Options Overview

**all versions: High-side switch, Input protection, ESD protection, load dump and reverse battery protection with 150 Ω in GND connection, protection against loss of ground**

Type	BTS	412 B2	410D2	<b>410E2</b>	410F2	410G2	410H2	307	308
Logic version		B	D	<b>E</b>	F	G	H		
Overtemperature protection with hysteresis									
$T_j > 150\text{ °C}$ , latch function <sup>16),17)</sup>		X	X		X		X		X
$T_j > 150\text{ °C}$ , with auto-restart on cooling				<b>X</b>		X		X	
Short circuit to GND protection									
switches off when $V_{ON} > 3.5\text{ V}$ typ. and $V_{bb} > 7\text{ V}$ typ <sup>16)</sup> (when first turned on after approx. 150 μs)							X		X
switches off when $V_{ON} > 8.5\text{ V}$ typ. <sup>16)</sup> (when first turned on after approx. 150 μs) Achieved through overtemperature protection		X	X	<b>X</b>	X				
Open load detection									
in OFF-state with sensing current 30 μA typ. in ON-state with sensing voltage drop across power transistor		X		<b>X</b>	X	X	X	X	X
Undervoltage shutdown with auto restart		X	X	<b>X</b>	X	X	X	X	X
Overvoltage shutdown with auto restart <sup>18)</sup>		X	X	<b>X</b>	X	X	X	-	X
Status feedback for									
overtemperature		X	X	<b>X</b>	X	X	X	X	X
short circuit to GND		X	X	<b>X</b>	X	-	X	X	X
short to $V_{bb}$		X	- <sup>19)</sup>	- <sup>19)</sup>	- <sup>19)</sup>	- <sup>19)</sup>	X	X	X
open load		X	X	<b>X</b>	X	X	X	X	X
undervoltage		X	X	-	-	-	-	X	-
overvoltage		X	X	-	-	-	-	-	-
Status output type									
CMOS		X	X						
Open drain				<b>X</b>	X	X	X	X	X
Output negative voltage transient limit (fast inductive load switch off)									
to $V_{bb} - V_{ON(CL)}$		X	X	<b>X</b>	X	X	X	X	X
Load current limit									
high level (can handle loads with high inrush currents)		X	X	<b>X</b>					
low level (better protection of application)					X	X	X	X	X
Protection against loss of GND		X	X	<b>X</b>	X	X	X	X	X

<sup>16)</sup> Latch except when  $V_{bb} - V_{OUT} < V_{ON(SC)}$  after shutdown. In most cases  $V_{OUT} = 0\text{ V}$  after shutdown ( $V_{OUT} \neq 0\text{ V}$  only if forced externally). So the device remains latched unless  $V_{bb} < V_{ON(SC)}$  (see page 4). No latch between turn on and  $t_{d(SC)}$ .

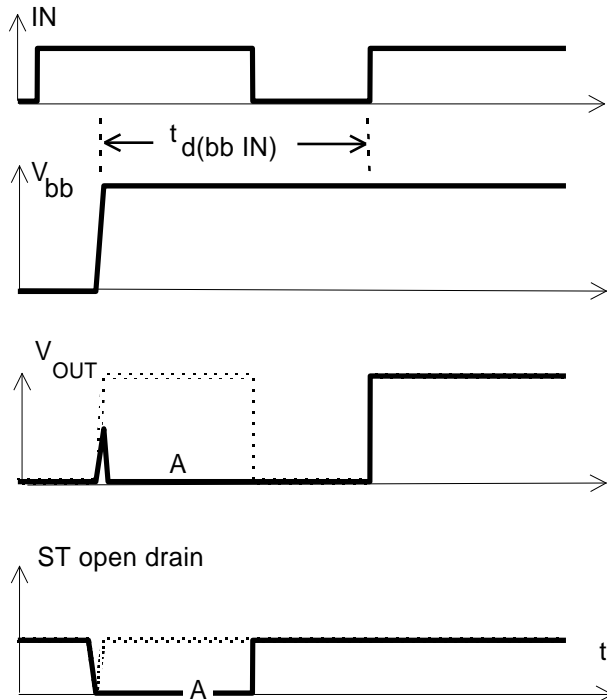
<sup>17)</sup> With latch function. Reseted by a) Input low, b) Undervoltage

<sup>18)</sup> No auto restart after overvoltage in case of short circuit

<sup>19)</sup> Low resistance short  $V_{bb}$  to output may be detected in ON-state by the no-load-detection

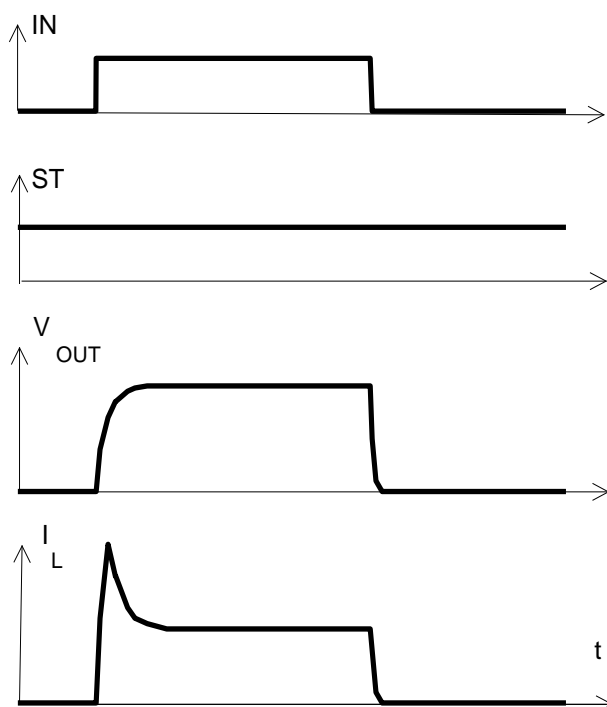
**Timing diagrams**

**Figure 1a:**  $V_{bb}$  turn on:

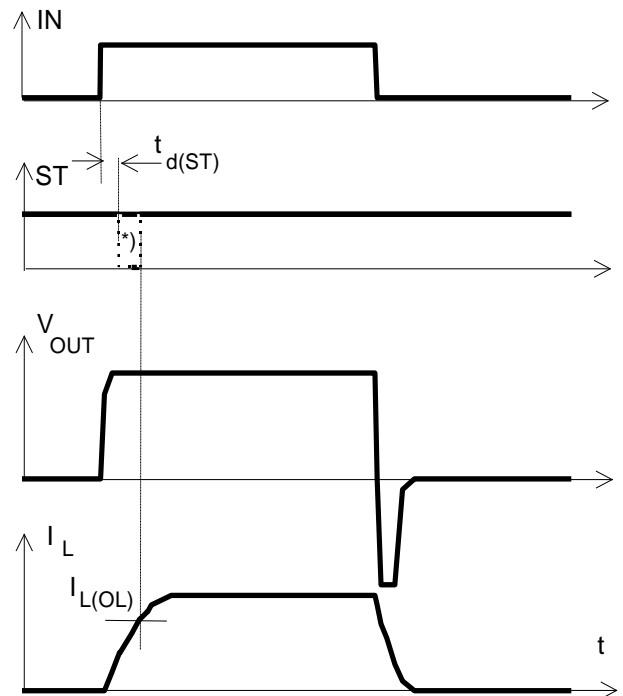


in case of too early  $V_{IN}$ =high the device may not turn on (curve A)  
 $t_{d(bb IN)}$  approx. 150  $\mu$ s

**Figure 2a:** Switching a lamp,

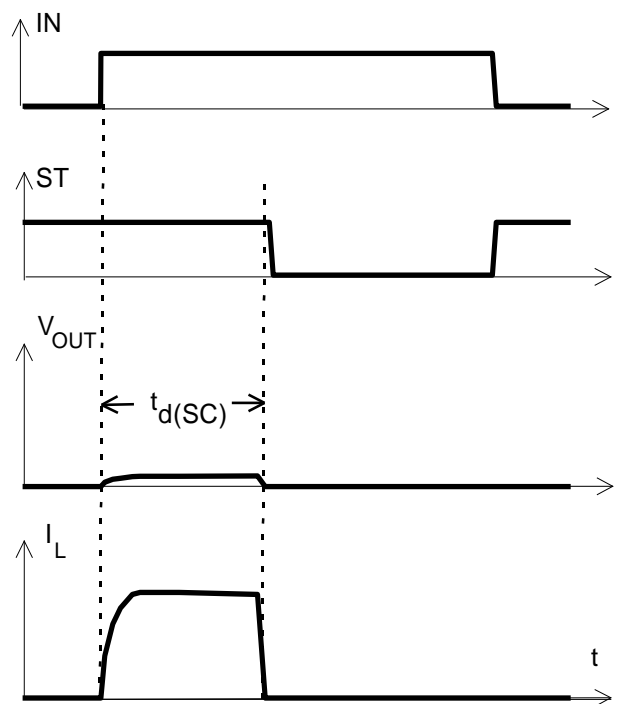


**Figure 2b:** Switching an inductive load



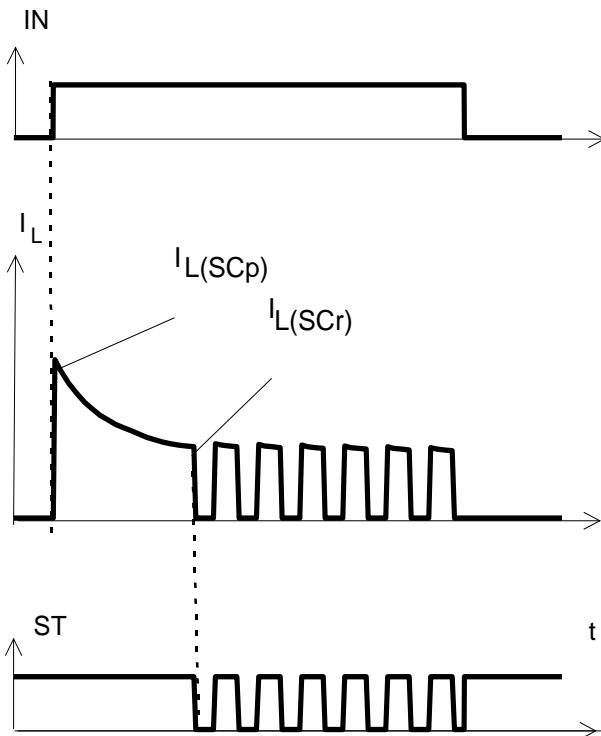
\*) if the time constant of load is too large, open-load-status may occur

**Figure 3a:** Turn on into short circuit,



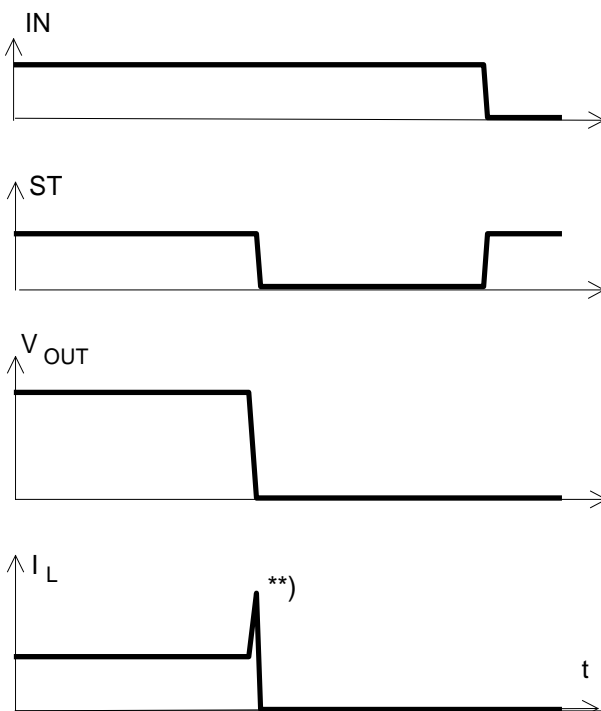
$t_{d(SC)}$  approx. --  $\mu s$  if  $V_{bb} - V_{OUT} > 8.5 V$  typ.

**Figure 3b:** Turn on into overload,



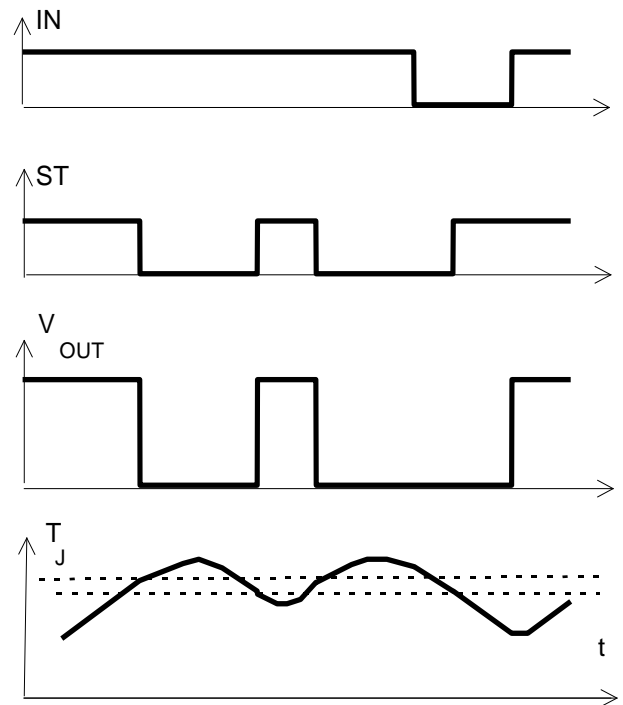
Heating up may require several seconds,  
 $V_{bb} - V_{OUT} < 8.5 V$  typ.

**Figure 3c:** Short circuit while on:

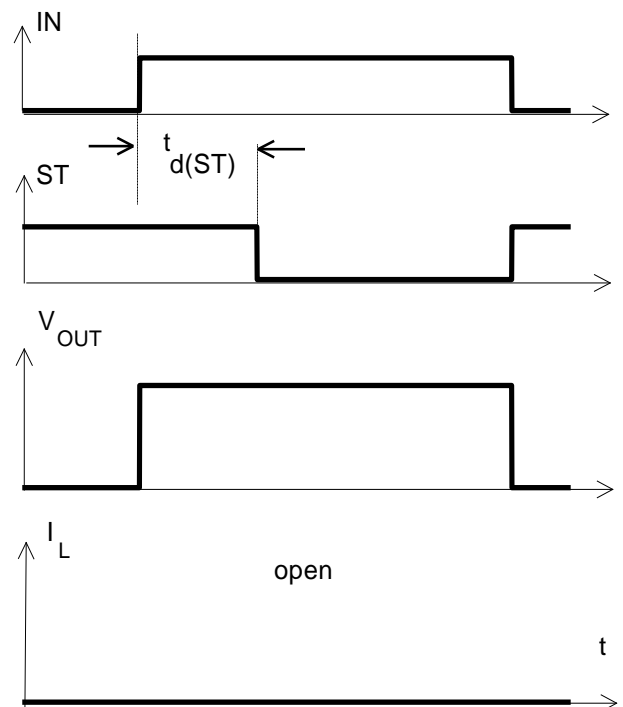


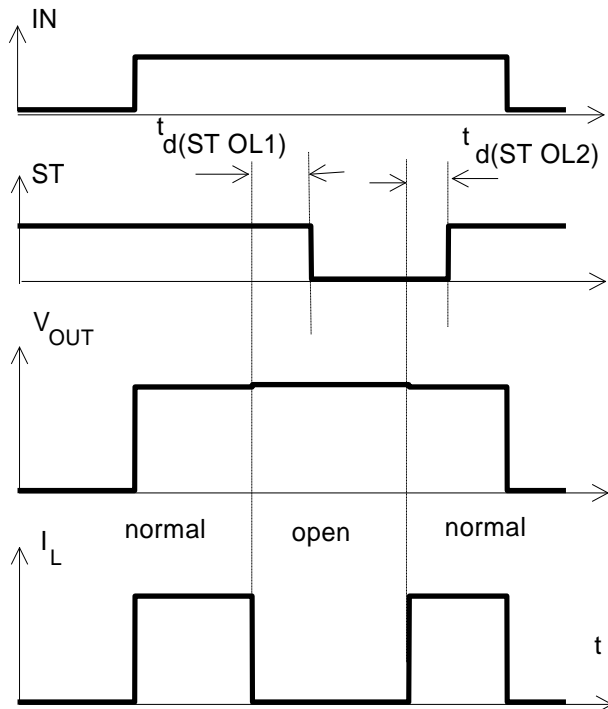
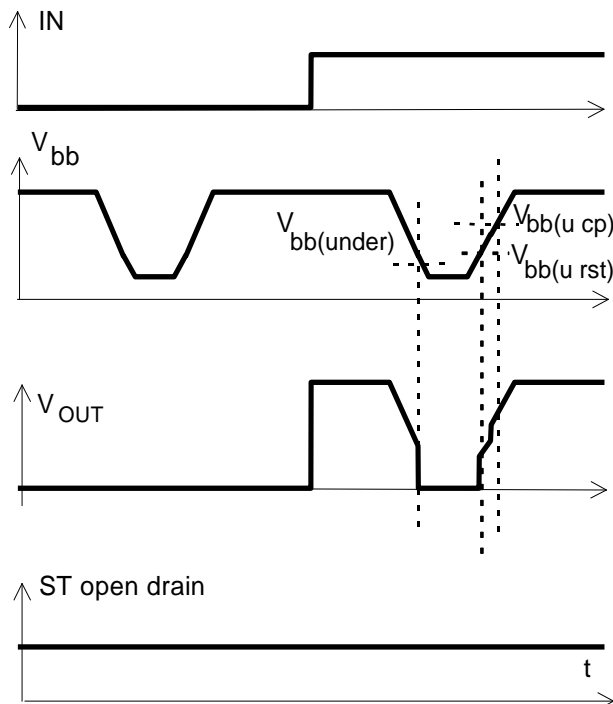
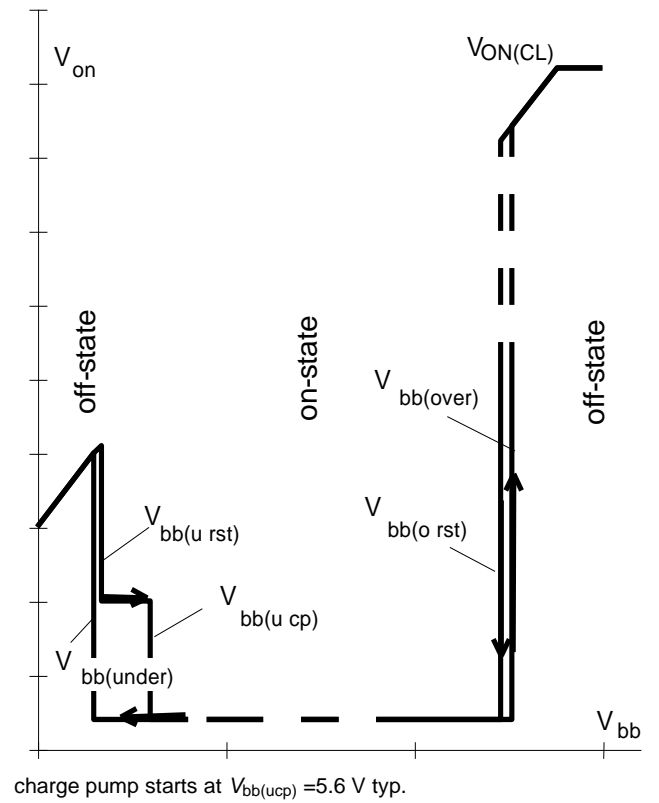
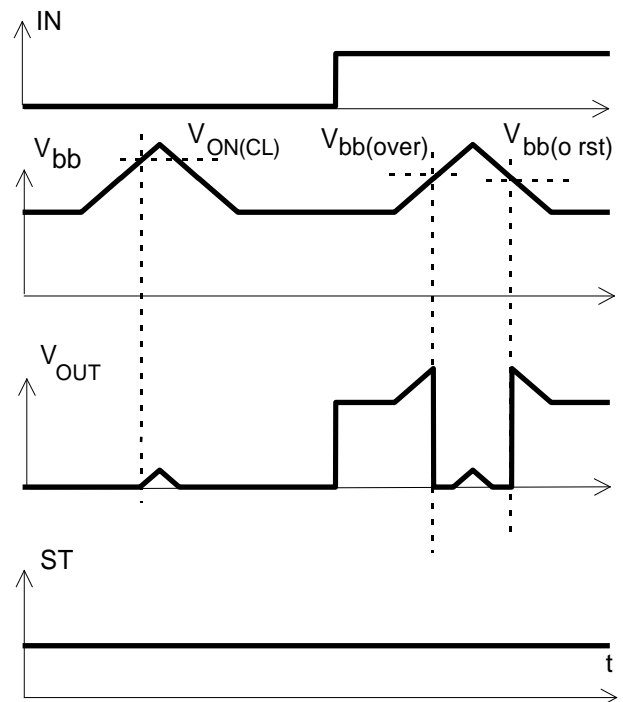
\*\*) current peak approx. 20  $\mu s$

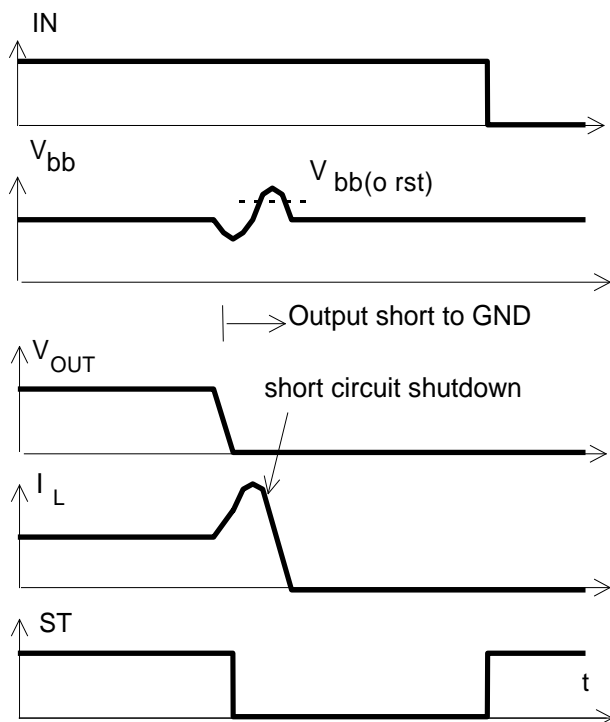
**Figure 4a:** Overtemperature:  
 Reset if  $T_j < T_{jt}$



**Figure 5a:** Open load: detection in ON-state, turn on/off to open load



**Figure 5b:** Open load: detection in ON-state, open load occurs in on-state

 $t_{d(ST OL1)} = t_{bd} \mu s \text{ typ.}, t_{d(ST OL2)} = t_{bd} \mu s \text{ typ}$ 
**Figure 6a:** Undervoltage:

**Figure 6b:** Undervoltage restart of charge pump

**Figure 7a:** Overvoltage:


**Figure 9a:** Overvoltage at short circuit shutdown:


Overvoltage due to power line inductance. No overvoltage auto-restart of PROFET after short circuit shutdown.

## Package and Ordering Code

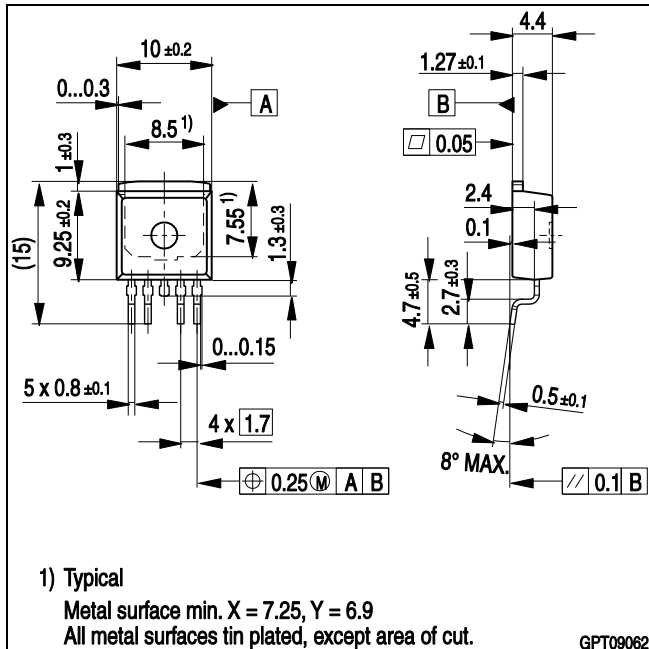
All dimensions in mm

**PG-TO263-5-2**

Ordering code

BTS410E2 E3062A	SP001104816
-----------------	-------------

Published by  
**Infineon Technologies AG,**  
**D-81726 München**  
 © Infineon Technologies AG 2013  
**All Rights Reserved.**



### Attention please!

The information herein is given to describe certain components and shall not be considered as a guarantee of characteristics.

Terms of delivery and rights to technical change reserved.

We hereby disclaim any and all warranties, including but not limited to warranties of non-infringement, regarding circuits, descriptions and charts stated herein.

Infineon Technologies is an approved CECC manufacturer.

### Information

For further information on technology, delivery terms and conditions and prices please contact your nearest Infineon Technologies Office in Germany or our Infineon Technologies Representatives worldwide (see address list).

### Warnings

Due to technical requirements components may contain dangerous substances. For information on the types in question please contact your nearest Infineon Technologies Office.

Infineon Technologies Components may only be used in life-support devices or systems with the express written approval of Infineon Technologies, if a failure of such components can reasonably be expected to cause the failure of that life-support device or system, or to affect the safety or effectiveness of that device or system. Life support devices or systems are intended to be implanted in the human body, or to support and/or maintain and sustain and/or protect human life. If they fail, it is reasonable to assume that the health of the user or other persons may be endangered.

## Looking for pricing, stock, or lifecycle information?

Click below to explore more details on WIN SOURCE:

- [⊖ View \*\*BTS410E2NKSA1\*\* on WIN SOURCE](#)
- [⊖ \*\*Infineon Technologies\*\* Information](#)

## Optimize Your Supply Chain with WIN SOURCE Solutions

- ✓ Global Sourcing Solution
- ✓ Obsolete Management
- ✓ Cost Control Management
- ✓ Shortage Management
- ✓ Alternative Solution
- ✓ Excess Inventory Management