



# THE DATASHEET OF HM2106NLT



-125°C

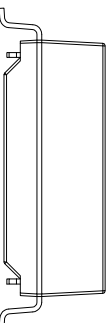
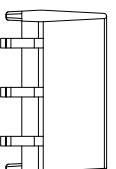
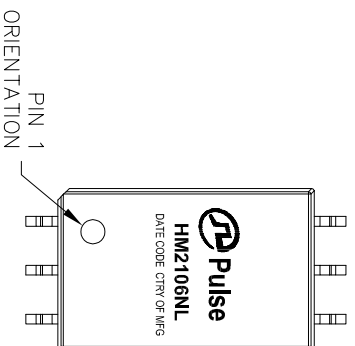
AT 245°C REFLOW PROFILE

MOISTURE SENSITIVE

MINIMUM THROUGH REFLOW SOLDER

ADD A "T" SUFFIX

(IF THE PART NUMBER DOES NOT END IN "L", BECOMES HXXXXXXXXNLT).



FINAL OUTLINE

rights reserved. Pulse confidential & proprietary. (08/29/17)

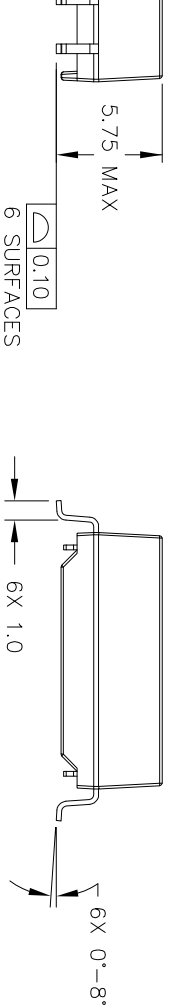
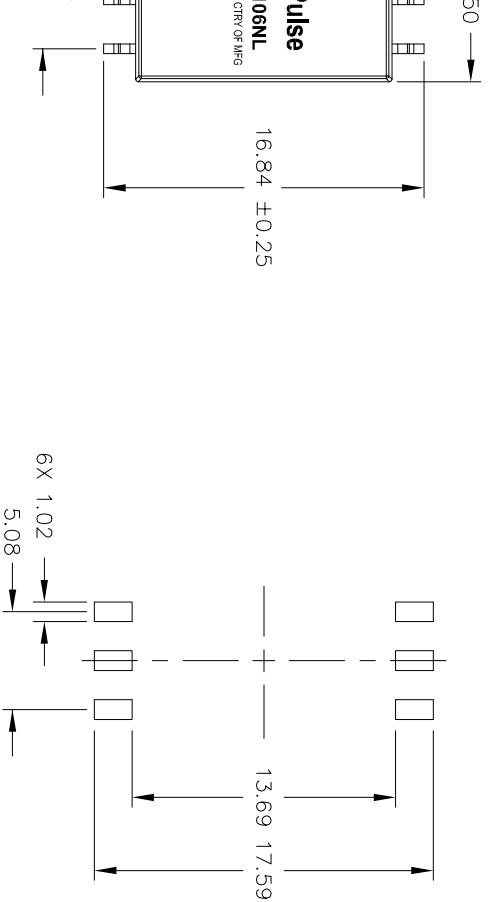
A DRAWING HM2106NL-P4	PS DRAWING PS-00249.003-01	SHEET 1 OF 5	PART NO. HM2106NL	DATASHEET REV. G
--------------------------	-------------------------------	-----------------	----------------------	---------------------

ELECTRONICS.COM(Asio)    PHONE:USA:858 674 8100, GERMANY:49 7032 78060, SINGAPORE:65 6287 8998, SHANGHAI:86 21 62787060, TAIWAN:886 3 4356768

ELECTRICAL CHARACTERISTICS AT +25°C UNLESS OTHER SPECIFIED  
(FOR REFERENCE ONLY. USED FOR CUSTOMER INFORMATION.)

PARAMETER	SPECIFICATIONS
QUALIFICATION	PER AEC-Q200
DESIGN CONSTRUCTION	BASIC INSULATION PER ISO6469/IEC60664
CREPAGE DISTANCE	> 11mm
OPERATING TEMPERATURE	-40°C TO +125°C
TURNS RATIO	1.00 ± 2%
POLARITY	PER SCHEMATIC
DC RESISTANCE	0.45 OHMS MAX
▽ INDUCTANCE (OCL) AT 100 KHz, 100 mV	135 uH MIN, 370 uH MAX (-40°C≤T≤-30°C) 150 uH MIN, 370 uH MAX (-30°C<T≤125°C)
LEAKAGE INDUCTANCE	0.50 uH MAX @ 100 KHz
▽ INSERTION LOSS	0.25 dB MAX @ 4 MHz
RETURN LOSS (Z OUT = 100 OHM ±1%)	20 dB MIN @ 4 MHz
▽ INPUT – OUTPUT ISOLATION	4300 VDC FOR 60 SECONDS WITH 1.0 mA MAX OF LEAKAGE CURRENT
INSULATION RESISTANCE	400 MEGAOHMS MINIMUM
WORKING VOLTAGE	1000 VDC FOR 15 YEARS

NOTE: "▽" IS SPECIAL CHARACTERISTIC.

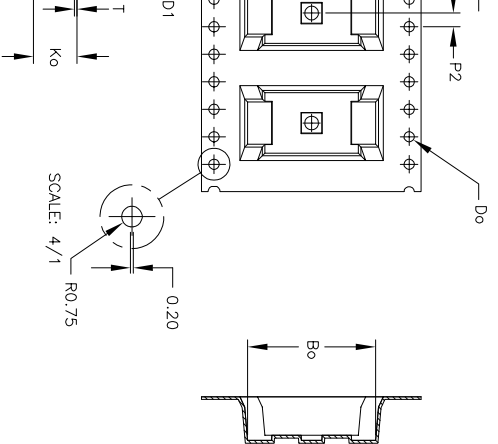


FOLLOWING

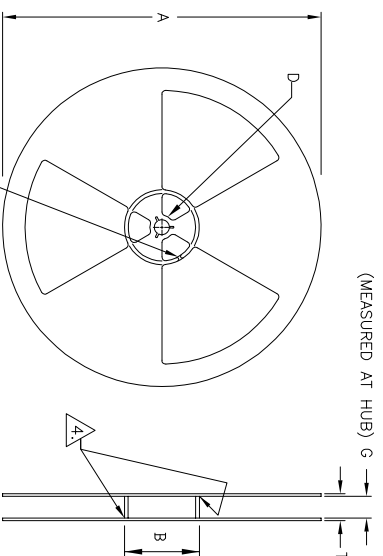
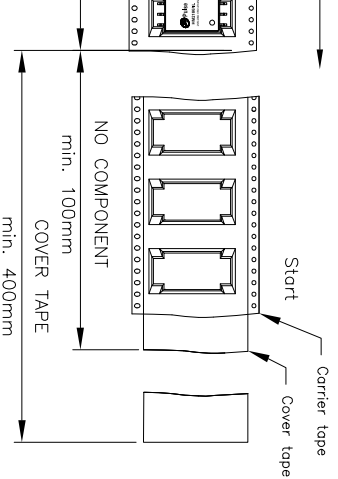
rights reserved. Pulse confidential & proprietary. (08/29/17)

QTY	DRAWING	PS DRAWING	SHEET	PART NO.	DATASHEET REV.
2106NL-P4		PS-00249.003-01	3 OF 5	HM2106NL	G

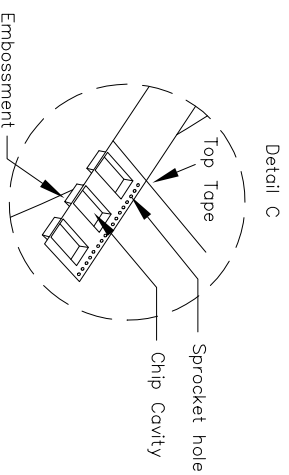
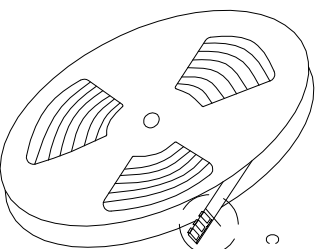
PHONE:USA:858 674 8100, GERMANY:49 7032 78060, SINGAPORE:65 6287 8998, SHANGHAI:86 21 62787060, TAIWAN:886 3 4356768



F	E	Do	D1	Po	P2	T
14.2	1.75	1.50	2.0	4.00	2.00	0.40
$\pm 0.10$	$\pm 0.10$	$+0.00$ $-0.00$	$\pm 0.10$	$\pm 0.10$	$\pm 0.10$	$\pm 0.05$



Tolerance	A	B	D	T	G	G
Tape width mm	330.00	min.	min.	max.	min.	max.
		100.00	20.20	38.4	32.4	34.4



rights reserved. Pulse confidential & proprietary. (08/29/17)

A DRAWING	PS DRAWING	SHEET	PART NO.	DATASHEET REV.
2106NL-P4	PS-00249.003-01	4 OF 5	HM2106NL	G
ELECTRONICS.COM(Asio)			PHONE: USA:858 674 8100, GERMANY:49 7032 78060, SINGAPORE:65 6287 8998, SHANGHAI:86 21 62787060, TAIWAN:886 3 4356768	

REVISION HISTORY:



REV.	DESCRIPTION
DS	
1	"PER ISO6469/IECC60664"
2	GE WORK VOLTAGE FORM 1600VDC TO 1000VDC. PACKAGE INFORMATION AND RELAX OCL SPEC.
3	SC WITH "*"
4	GE SC FROM "*" TO "▽"
5	GE DIMENSION FROM 6X 1.00 TO 6X 1.0

rights reserved. Pulse confidential & proprietary. (08/29/17)

DRAWING	PS DRAWING	SHEET	PART NO.	DATASHEET REV.
2106NL-P4	PS-00249.003-01	5 OF 5	HM2106NL	G

## Looking for pricing, stock, or lifecycle information?

Click below to explore more details on WIN SOURCE:

-  [View HM2106NLT on WIN SOURCE](#)
-  [Pulse Information](#)

## Optimize Your Supply Chain with WIN SOURCE Solutions

-  Global Sourcing Solution
-  Obsolete Management
-  Cost Control Management
-  Shortage Management
-  Alternative Solution
-  Excess Inventory Management