



**THE DATASHEET OF  
MMPF0100F4ANES**



# 14 channel configurable power management integrated circuit

The PF0100 SMARTMOS power management integrated circuit (PMIC) provides a highly programmable/ configurable architecture, with fully integrated power devices and minimal external components. With up to six buck converters, six linear regulators, RTC supply, and coin-cell charger, the PF0100 can provide power for a complete system, including applications processors, memory, and system peripherals, in a wide range of applications. With on-chip one time programmable (OTP) memory, the PF0100 is available in pre-programmed standard versions, or non-programmed to support custom programming. The PF0100 is defined to power an entire embedded MCU platform solution such as i.MX 6 based eReader, IPTV, medical monitoring, and home/factory automation.

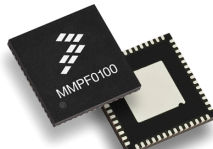
## Features:

- Four to six buck converters, depending on configuration
  - Single/Dual phase/ parallel options
  - DDR termination tracking mode option
- Boost regulator to 5.0 V output
- Six general purpose linear regulators
- Programmable output voltage, sequence, and timing
- OTP (one time programmable) memory for device configuration
- Coin cell charger and RTC supply
- DDR termination reference voltage
- Power control logic with processor interface and event detection
- I<sup>2</sup>C control
- Individually programmable ON, OFF, and standby modes


## PF0100

---

### POWER MANAGEMENT



**EP SUFFIX (E-TYPE)**  
**98ASA00405D**  
**56 QFN 8X8**



**ES SUFFIX (WF-TYPE)**  
**98ASA00589D**  
**56 QFN 8X8**

## Applications:

- Tablets
- IPTV
- eReaders
- Set top boxes
- Industrial control
- Medical monitoring
- Home automation/ alarm/ energy management

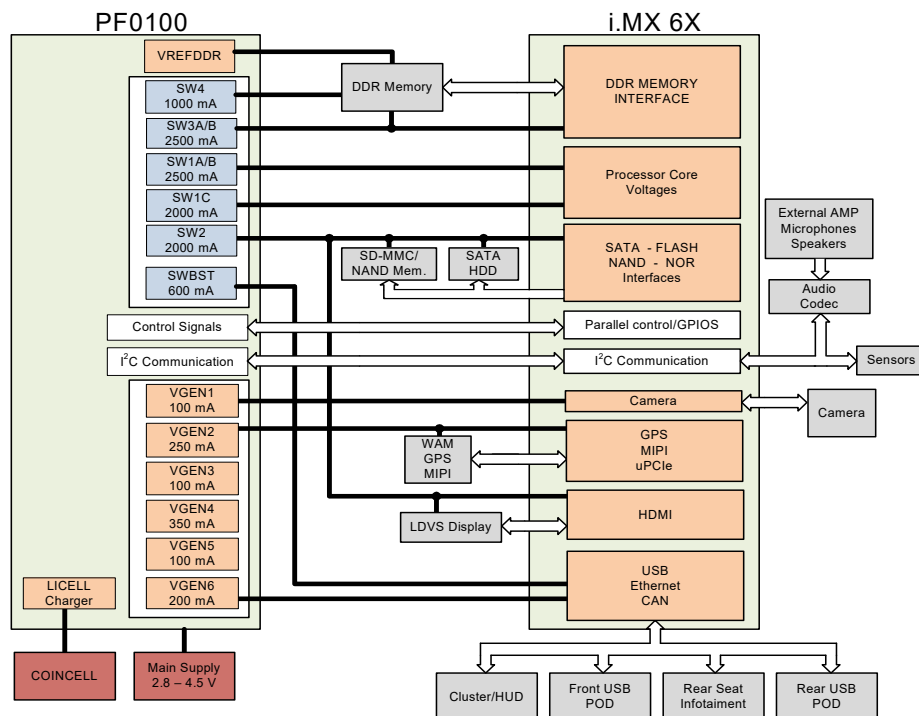


Figure 1. Simplified application diagram

# Table of Contents

|       |   |     |
|-------|---|-----|
| 1     | Orderable parts                             | 4   |
| 2     | Internal block diagram                      | 6   |
| 3     | Pin connections                             | 7   |
| 3.1   | Pinout diagram                              | 7   |
| 3.2   | Pin definitions                             | 8   |
| 4     | General product characteristics             | 10  |
| 4.1   | Absolute maximum ratings                    | 10  |
| 4.2   | Thermal characteristics                     | 11  |
| 4.2.1 | Power dissipation                           | 11  |
| 4.3   | Electrical characteristics                  | 12  |
| 4.3.1 | General specifications                      | 12  |
| 4.3.2 | Current consumption                         | 13  |
| 5     | General description                         | 15  |
| 5.1   | Features                                    | 15  |
| 5.2   | Functional block diagram                    | 16  |
| 5.3   | Functional description                      | 16  |
| 5.3.1 | Power generation                            | 16  |
| 5.3.2 | Control logic                               | 16  |
| 6     | Functional block requirements and behaviors | 18  |
| 6.1   | Start-up                                    | 18  |
| 6.1.1 | Device start-up configuration               | 18  |
| 6.1.2 | One time programmability (OTP)              | 21  |
| 6.1.3 | OTP prototyping                             | 23  |
| 6.1.4 | Reading OTP fuses                           | 23  |
| 6.1.5 | Programming OTP fuses                       | 23  |
| 6.2   | 16 MHz and 32 kHz clocks                    | 24  |
| 6.2.1 | Clock adjustment                            | 24  |
| 6.3   | Bias and references block description       | 24  |
| 6.3.1 | Internal core voltage references            | 24  |
| 6.3.2 | VREFDDR voltage reference                   | 25  |
| 6.4   | Power generation                            | 28  |
| 6.4.1 | Modes of operation                          | 28  |
| 6.4.2 | State machine flow summary                  | 30  |
| 6.4.3 | Power tree                                  | 32  |
| 6.4.4 | Buck regulators                             | 34  |
| 6.4.5 | Boost regulator                             | 77  |
| 6.4.6 | LDO regulators description                  | 80  |
| 6.4.7 | VSNVS LDO/switch                            | 95  |
| 6.5   | Control interface I2C block description     | 100 |
| 6.5.1 | I2C device ID                               | 100 |
| 6.5.2 | I2C operation                               | 100 |
| 6.5.3 | Interrupt handling                          | 101 |
| 6.5.4 | Interrupt bit summary                       | 101 |
| 6.5.5 | Specific registers                          | 106 |
| 6.5.6 | Register bitmap                             | 107 |

|       |  |     |
|-------|--|-----|
| 7     | Typical applications                       | 118 |
| 7.1   | Introduction                               | 118 |
| 7.1.1 | Application diagram                        | 118 |
| 7.1.2 | Bill of materials                          | 119 |
| 7.2   | PF0100 layout guidelines                   | 123 |
| 7.2.1 | General board recommendations              | 123 |
| 7.2.2 | Component placement                        | 123 |
| 7.2.3 | General routing requirements               | 123 |
| 7.2.4 | Parallel routing requirements              | 123 |
| 7.2.5 | Switching regulator layout recommendations | 124 |
| 7.3   | Thermal information                        | 125 |
| 7.3.1 | Rating data                                | 125 |
| 7.3.2 | Estimation of junction temperature         | 125 |
| 8     | Packaging                                  | 126 |
| 8.1   | Packaging dimensions                       | 126 |
| 9     | Reference section                          | 134 |
| 9.1   | Reference documents                        | 134 |
| 10    | Revision history                           | 135 |

# 1 Orderable parts

The PF0100 is available with both pre-programmed and non-programmed OTP memory configurations. The non-programmed device uses “NP” as the programming code. The pre-programmed devices are identified using the program codes from [Table 1](#), which also list the associated NXP reference designs where applicable. Details of the OTP programming for each device can be found in [Table 10](#).

**Table 1. Orderable Part Variations**

| Part Number    | Temperature (T <sub>A</sub> )                         | Package  | Programming   | Reference Designs   | Notes         |
|----------------|---|--|---|---|---------------|
| MMPF0100NPAEP  | -40 °C to 85 °C<br>(for use in consumer applications) | 56 QFN 8x8 mm - 0.5 mm pitch<br>E-Type QFN (full lead) | NP  | N/A   | (1), (2)      |
| MMPF0100F0AEP  |   |  | F0  | MCIMX6Q-SDP<br>MCIMX6Q-SDB<br>MCIMX6DL-SDP                  |               |
| MMPF0100F1AEP  |   |  | F1  | MCIMX6SLEVK   | (1), (2), (3) |
| MMPF0100F2AEP  |   |  | F2  | N/A   |               |
| MMPF0100F3AEP  |   |  | F3  | N/A   | (1), (2)      |
| MMPF0100F4AEP  |   |  | F4  | N/A   |               |
| MMPF0100F6AEP  |   |  | F6  | MCIMX6SX-SDB  |               |
| MMPF0100FCAEP  |   |  | FC  | N/A   | (1), (2)      |
| MMPF0100FDAEP  |   |  | FD  | MCIMX6SLEVK   |               |
| MMPF0100NPANES |   |  | -40 °C to 105 °C<br>(for use in extended industrial applications) | 56 QFN 8x8 mm - 0.5 mm pitch<br>WF-Type QFN (wetable flank) | NP            |
| MMPF0100F0ANES | F0  | MCIMX6Q-SDP<br>MCIMX6Q-SDB<br>MCIMX6DL-SDP             |   |   | (1), (2)      |
| MMPF0100F3ANES | F3  | N/A  |   |   |               |
| MMPF0100F4ANES | F4  | N/A  |   |   |               |
| MMPF0100F6ANES | F6  | MCIMX6SX-SDB   |   |   | (1), (2), (4) |
| MMPF0100F9ANES | F9  | N/A  |   |   |               |
| MMPF0100FAANES | FA  | N/A  |   |   |               |
| MMPF0100FBANES | FB  | N/A  |   |   |               |
| MMPF0100FCANES | FC  | N/A  |   |   | (1), (2)      |

## Notes

- For tape and reel, add an R2 suffix to the part number.
- For programming details see [Table 10](#). The available OTP options are not restricted to the listed reference designs. They can be used in any application where the listed voltage and sequence details are acceptable.
- For designs using the i.MX 6SoloLite, it is recommended to use the F3 OTP option instead of the F1 OTP option and F4 OTP option instead of the F2 OTP option.
- SW2 can support an output current rating of 2.5 A in NP, F9, and FA Industrial versions only (ANES suffix) when SW2ILIM=0

## 1.1 PF0100 version differences

PF0100A is an improved version of the PF0100 power management IC. [Table 2](#) summarizes the difference between the two versions and should be referred to when migrating from the PF0100 to the PF0100A. Note that programming options are the same for both versions of the device.

**Table 2. Differences between PF0100 and PF0100A**

| Description   | PF0100   | PF0100A   |
|---|--|---|
| Version identification                                | Reading SILICON REV register at address 0x03 returns 0x11. DEVICEID register at address 0x00 reads 0x10 in PF0100 and PF0100A  | Reading SILICON REV register at address 0x03 returns 0x21. DEVICEID register at address 0x00 reads 0x10 in PF0100 and PF0100A       |
| VSNVS current limit                                   | VSNVS current limit increased in the PF0100A   |   |
| OTP_FUSE_PORx register setting during OTP programming | In the PF0100, FUSE_POR1, FUSE_POR2, and FUSE_POR3 bits are XOR'ed into the FUSE_POR_XOR bit. The FUSE_POR_XOR bit has to be 1 for fuses to be loaded during startup. This can be achieved by setting any one or all of the FUSE_PORx bits during OTP programming. | In the PF0100A, the XOR function is removed. It is required to set FUSE_POR1, FUSE_POR2, and FUSE_POR3 bits during OTP programming. |
| Erratum ER19  | Erratum ER19 applicable to PF0100. Applications expecting to operate in the conditions mentioned in ER19 need to implement an external workaround to overcome the problem. Refer to the product errata for details   | Errata ER19 fixed in PF0100A. External workaround not required  |
| Erratum ER20  | Erratum ER20 applicable to PF0100  | Errata ER20 fixed in PF0100A  |
| Erratum ER22  | Erratum ER22 applicable to PF0100  | Errata ER22 fixed in PF0100A. Workaround not required   |

In addition to the version differences, [Table 3](#) shows the differences on the test temperature rating for each version of PF0100 covered on this datasheet.

**Table 3. Ambient temperature range**

| Device     | Qualification tier      | Ambient temperature range (T <sub>MIN</sub> to T <sub>MAX</sub> ) |
|------------|-------------------------|---|
| MMPF0100   | Consumer and Industrial | T <sub>A</sub> = -40 °C to 85 °C                                  |
| MMPF0100A  | Consumer                | T <sub>A</sub> = -40 °C to 85 °C                                  |
| MMPF0100AN | Extended Industrial     | T <sub>A</sub> = -40 °C to 105 °C                                 |

## 2 Internal block diagram

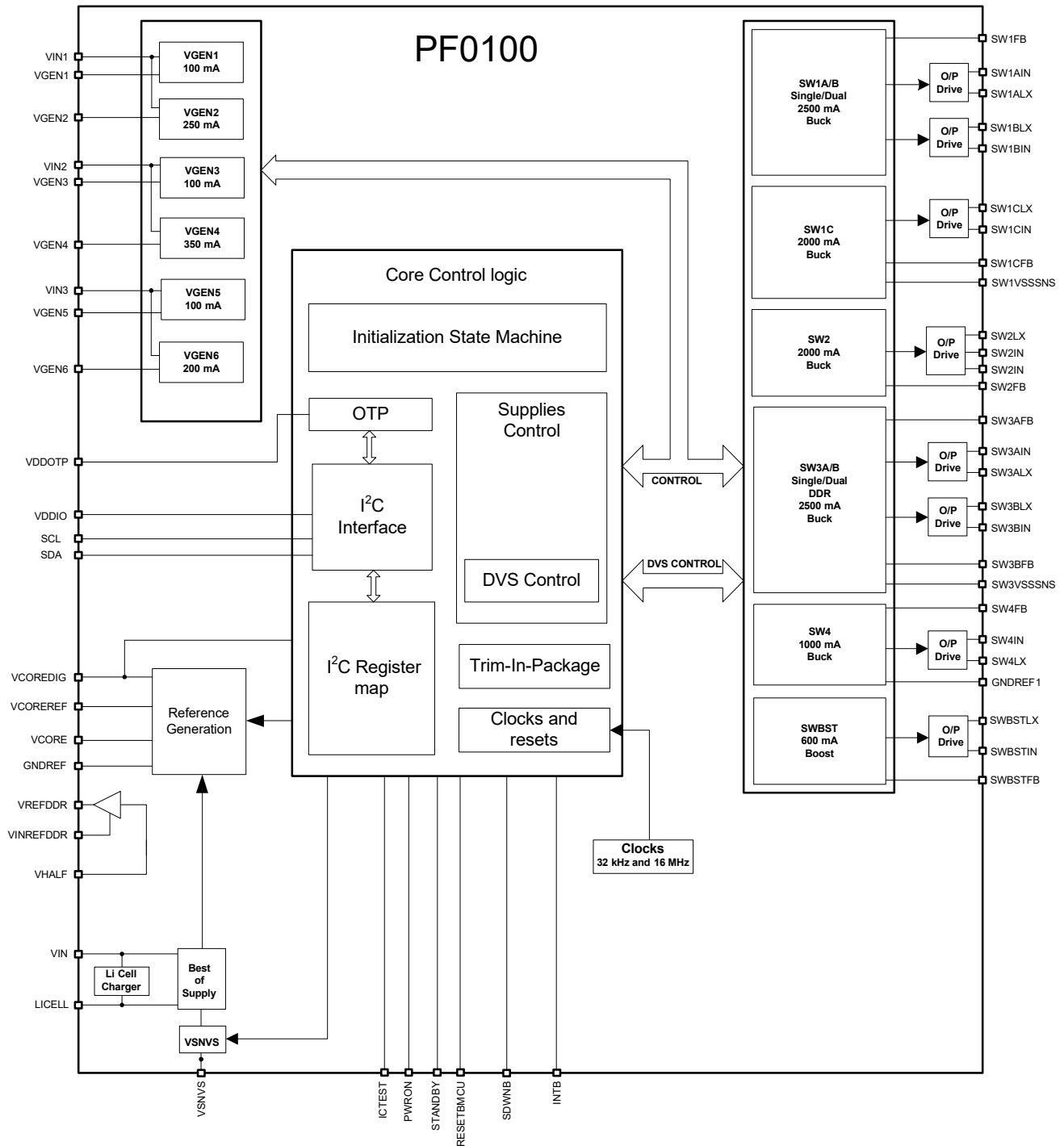


Figure 2. Simplified internal block diagram

### 3 Pin connections

#### 3.1 Pinout diagram

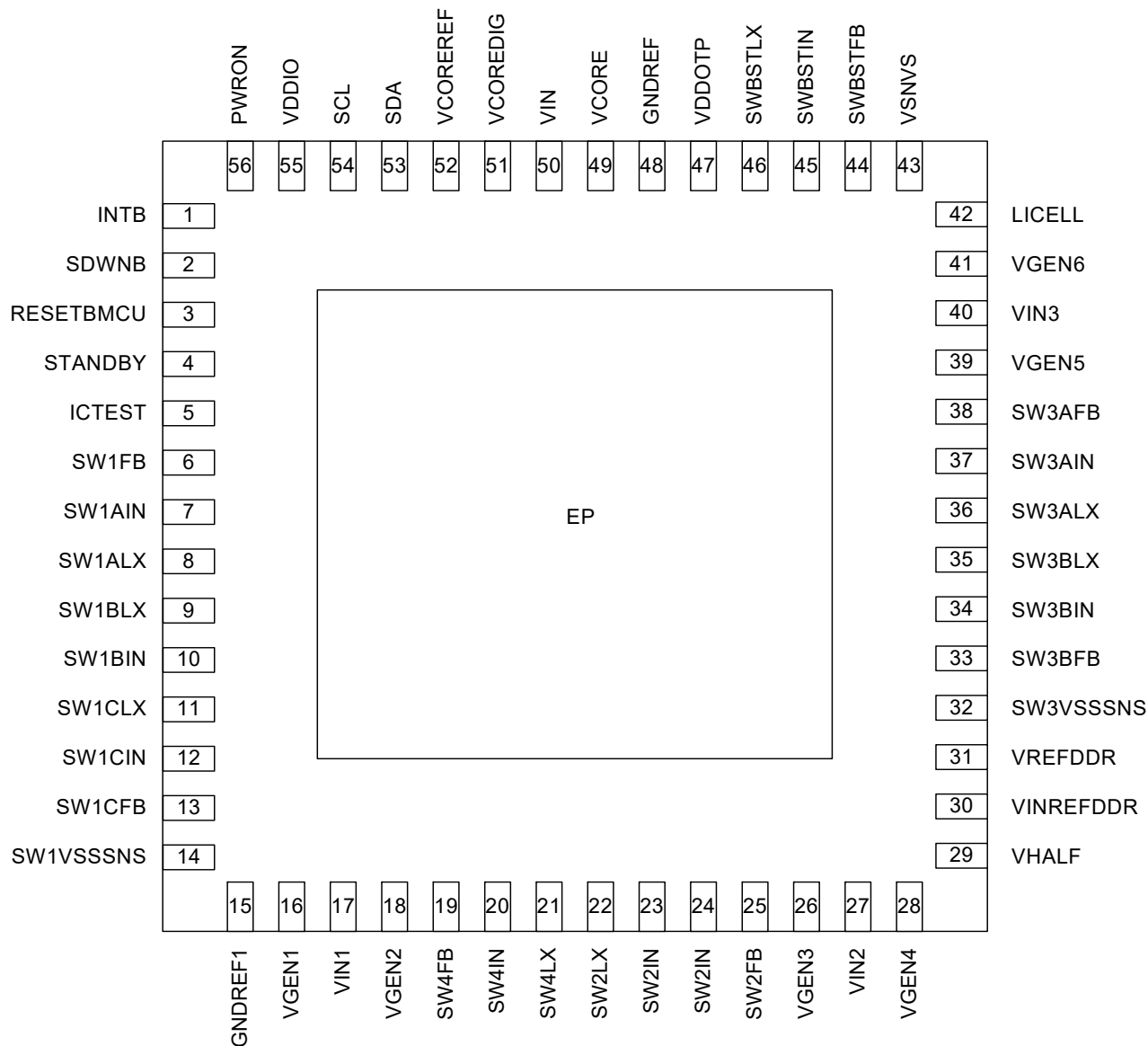


Figure 3. Pinout diagram

## 3.2 Pin definitions

Table 4. PF0100 pin definitions

| Pin number | Pin name              | Pin function | Max rating | Type               | Definition  |
|------------|-----------------------|--------------|------------|--------------------|---|
| 1          | INTB                  | O            | 3.6 V      | Digital            | Open drain interrupt signal to processor  |
| 2          | SDWNB                 | O            | 3.6 V      | Digital            | Open drain signal to indicate an imminent system shutdown   |
| 3          | RESETMCU              | O            | 3.6 V      | Digital            | Open drain reset output to processor. Alternatively can be used as a power good output.   |
| 4          | STANDBY               | I            | 3.6 V      | Digital            | Standby input signal from processor   |
| 5          | ICTEST                | I            | 7.5 V      | Digital/<br>Analog | Reserved pin. Connect to GND in application.  |
| 6          | SW1FB <sup>(6)</sup>  | I            | 3.6 V      | Analog             | Output voltage feedback for SW1A/B. Route this trace separately from the high current path and terminate at the output capacitance.   |
| 7          | SW1AIN <sup>(6)</sup> | I            | 4.8 V      | Analog             | Input to SW1A regulator. Bypass with at least a 4.7 $\mu$ F ceramic capacitor and a 0.1 $\mu$ F decoupling capacitor as close to the pin as possible.   |
| 8          | SW1ALX <sup>(6)</sup> | O            | 4.8 V      | Analog             | Regulator 1A switch node connection   |
| 9          | SW1BLX <sup>(6)</sup> | O            | 4.8 V      | Analog             | Regulator 1B switch node connection   |
| 10         | SW1BIN <sup>(6)</sup> | I            | 4.8 V      | Analog             | Input to SW1B regulator. Bypass with at least a 4.7 $\mu$ F ceramic capacitor and a 0.1 $\mu$ F decoupling capacitor as close to the pin as possible.   |
| 11         | SW1CLX <sup>(6)</sup> | O            | 4.8 V      | Analog             | Regulator 1C switch node connection   |
| 12         | SW1CIN <sup>(6)</sup> | I            | 4.8 V      | Analog             | Input to SW1C regulator. Bypass with at least a 4.7 $\mu$ F ceramic capacitor and a 0.1 $\mu$ F decoupling capacitor as close to the pin as possible.   |
| 13         | SW1CFB <sup>(6)</sup> | I            | 3.6V       | Analog             | Output voltage feedback for SW1C. Route this trace separately from the high current path and terminate at the output capacitance.   |
| 14         | SW1VSSNS              | GND          | -          | GND                | Ground reference for regulators SW1ABC. It is connected externally to GNDREF through a board ground plane.  |
| 15         | GNDREF1               | GND          | -          | GND                | Ground reference for regulators SW2 and SW4. It is connected externally to GNDREF, via board ground plane.  |
| 16         | VGEN1                 | O            | 2.5 V      | Analog             | VGEN1 regulator output, Bypass with a 2.2 $\mu$ F ceramic output capacitor.   |
| 17         | VIN1                  | I            | 3.6 V      | Analog             | VGEN1, 2 input supply. Bypass with a 1.0 $\mu$ F decoupling capacitor as close to the pin as possible.  |
| 18         | VGEN2                 | O            | 2.5 V      | Analog             | VGEN2 regulator output, Bypass with a 4.7 $\mu$ F ceramic output capacitor.   |
| 19         | SW4FB <sup>(6)</sup>  | I            | 3.6 V      | Analog             | Output voltage feedback for SW4. Route this trace separately from the high current path and terminate at the output capacitance.  |
| 20         | SW4IN <sup>(6)</sup>  | I            | 4.8 V      | Analog             | Input to SW4 regulator. Bypass with at least a 4.7 $\mu$ F ceramic capacitor and a 0.1 $\mu$ F decoupling capacitor as close to the pin as possible.  |
| 21         | SW4LX <sup>(6)</sup>  | O            | 4.8 V      | Analog             | Regulator 4 switch node connection  |
| 22         | SW2LX <sup>(6)</sup>  | O            | 4.8 V      | Analog             | Regulator 2 switch node connection  |
| 23         | SW2IN <sup>(6)</sup>  | I            | 4.8 V      | Analog             | Input to SW2 regulator. Connect pin 23 together with pin 24 and bypass with at least a 4.7 $\mu$ F ceramic capacitor and a 0.1 $\mu$ F decoupling capacitor as close to these pins as possible. |
| 24         | SW2IN <sup>(6)</sup>  | I            | 4.8 V      | Analog             |   |
| 25         | SW2FB <sup>(6)</sup>  | I            | 3.6 V      | Analog             | Output voltage feedback for SW2. Route this trace separately from the high current path and terminate at the output capacitance.  |
| 26         | VGEN3                 | O            | 3.6 V      | Analog             | VGEN3 regulator output. Bypass with a 2.2 $\mu$ F ceramic output capacitor.   |
| 27         | VIN2                  | I            | 3.6 V      | Analog             | VGEN3,4 input. Bypass with a 1.0 $\mu$ F decoupling capacitor as close to the pin as possible.  |
| 28         | VGEN4                 | O            | 3.6 V      | Analog             | VGEN4 regulator output, Bypass with a 4.7 $\mu$ F ceramic output capacitor.   |

Table 4. PF0100 pin definitions (continued)

| Pin number | Pin name               | Pin function | Max rating          | Type               | Definition  |
|------------|------------------------|--------------|---------------------|--------------------|---|
| 29         | VHALF                  | I            | 3.6 V               | Analog             | Half supply reference for VREFDDR   |
| 30         | VINREFDDR              | I            | 3.6 V               | Analog             | VREFDDR regulator input. Bypass with at least 1.0 $\mu$ F decoupling capacitor as close to the pin as possible.   |
| 31         | VREFDDR                | O            | 3.6 V               | Analog             | VREFDDR regulator output  |
| 32         | SW3VSSNS               | GND          | -                   | GND                | Ground reference for the SW3 regulator. Connect to GNDREF externally via the board ground plane.  |
| 33         | SW3BFB <sup>(6)</sup>  | I            | 3.6 V               | Analog             | Output voltage feedback for SW3B. Route this trace separately from the high current path and terminate at the output capacitance.                                     |
| 34         | SW3BIN <sup>(6)</sup>  | I            | 4.8 V               | Analog             | Input to SW3B regulator. Bypass with at least a 4.7 $\mu$ F ceramic capacitor and a 0.1 $\mu$ F decoupling capacitor as close to the pin as possible.                 |
| 35         | SW3BLX <sup>(6)</sup>  | O            | 4.8 V               | Analog             | Regulator 3B switch node connection   |
| 36         | SW3ALX <sup>(6)</sup>  | O            | 4.8 V               | Analog             | Regulator 3A switch node connection   |
| 37         | SW3AIN <sup>(6)</sup>  | I            | 4.8 V               | Analog             | Input to SW3A regulator. Bypass with at least a 4.7 $\mu$ F ceramic capacitor and a 0.1 $\mu$ F decoupling capacitor as close to the pin as possible.                 |
| 38         | SW3AFB <sup>(6)</sup>  | I            | 3.6 V               | Analog             | Output voltage feedback for SW3A. Route this trace separately from the high current path and terminate at the output capacitance.                                     |
| 39         | VGEN5                  | O            | 3.6 V               | Analog             | VGEN5 regulator output. Bypass with a 2.2 $\mu$ F ceramic output capacitor.   |
| 40         | VIN3                   | I            | 4.8 V               | Analog             | VGEN5, 6 input. Bypass with a 1.0 $\mu$ F decoupling capacitor as close to the pin as possible.   |
| 41         | VGEN6                  | O            | 3.6 V               | Analog             | VGEN6 regulator output. By pass with a 2.2 $\mu$ F ceramic output capacitor.  |
| 42         | LICELL                 | I/O          | 3.6 V               | Analog             | Coin cell supply input/output   |
| 43         | VSNVS                  | O            | 3.6 V               | Analog             | LDO or coin cell output to processor  |
| 44         | SWBSTFB <sup>(6)</sup> | I            | 5.5 V               | Analog             | Boost regulator feedback. Connect this pin to the output rail close to the load. Keep this trace away from other noisy traces and planes.                             |
| 45         | SWBSTIN <sup>(6)</sup> | I            | 4.8 V               | Analog             | Input to SWBST regulator. Bypass with at least a 2.2 $\mu$ F ceramic capacitor and a 0.1 $\mu$ F decoupling capacitor as close to the pin as possible.                |
| 46         | SWBSTLX <sup>(6)</sup> | O            | 7.5 V               | Analog             | SWBST switch node connection  |
| 47         | VDDOTP                 | I            | 10 V <sup>(5)</sup> | Digital and Analog | Supply to program OTP fuses   |
| 48         | GNDREF                 | GND          | -                   | GND                | Ground reference for the main band gap regulator.   |
| 49         | VCORE                  | O            | 3.6 V               | Analog             | Analog Core supply  |
| 50         | VIN                    | I            | 4.8 V               | Analog             | Main chip supply  |
| 51         | VCOREDIG               | O            | 1.5 V               | Analog             | Digital Core supply   |
| 52         | VCOREREF               | O            | 1.5 V               | Analog             | Main band gap reference   |
| 53         | SDA                    | I/O          | 3.6 V               | Digital            | I <sup>2</sup> C data line (Open drain)   |
| 54         | SCL                    | I            | 3.6 V               | Digital            | I <sup>2</sup> C clock  |
| 55         | VDDIO                  | I            | 3.6 V               | Analog             | Supply for I <sup>2</sup> C bus. Bypass with 0.1 $\mu$ F ceramic capacitor  |
| 56         | PWRON                  | I            | 3.6 V               | Digital            | Power On/off from processor   |
| -          | EP                     | GND          | -                   | GND                | Expose pad. Functions as ground return for buck regulators. Tie this pad to the inner and external ground planes through vias to allow effective thermal dissipation. |

## Notes

5. 10 V Maximum voltage rating during OTP fuse programming. 7.5 V Maximum DC voltage rated otherwise.
6. Unused switching regulators should be connected as follow: Pins SWxLX and SWxLB should be unconnected and Pin SWxIN should be connected to VIN with a 0.1  $\mu$ F bypass capacitor.

## 4 General product characteristics

### 4.1 Absolute maximum ratings

**Table 5. Absolute maximum ratings**

All voltages are with respect to ground, unless otherwise noted. Exceeding these ratings may cause malfunction or permanent damage to the device. The detailed maximum voltage rating per pin can be found in the pin list section.

| Symbol                    | Description  | Value                   | Unit | Notes |
|---------------------------|--|-------------------------|------|-------|
| <b>Electrical ratings</b> |  |                         |      |       |
| $V_{IN}$                  | Main input supply voltage                              | -0.3 to 4.8             | V    |       |
| $V_{DDOTP}$               | OTP programming input supply voltage                   | -0.3 to 10              | V    |       |
| $V_{LICELL}$              | Coin cell voltage                                      | -0.3 to 3.6             | V    |       |
| $V_{ESD}$                 | ESD ratings<br>Human body model<br>Charge device model | $\pm 2000$<br>$\pm 500$ | V    | (7)   |

**Notes**

- ESD testing is performed in accordance with the human body model (HBM) ( $C_{ZAP} = 100$  pF,  $R_{ZAP} = 1500$   $\Omega$ ), and the charge device model (CDM), robotic ( $C_{ZAP} = 4.0$  pF).

## 4.2 Thermal characteristics

Table 6. Thermal ratings

| Symbol                 | Description (rating)   | Min.              | Max.            | Unit | Notes   |
|------------------------|--|-------------------|-----------------|------|---------|
| <b>Thermal ratings</b> |  |                   |                 |      |         |
| $T_A$                  | Ambient operating temperature range<br>• PF0100<br>• PF0100A<br>• PF0100AN | -40<br>-40<br>-40 | 85<br>85<br>105 | °C   |         |
| $T_J$                  | Operating junction temperature range                                       | -40               | 125             | °C   | (8)     |
| $T_{ST}$               | Storage temperature range  | -65               | 150             | °C   |         |
| $T_{PPRT}$             | Peak package reflow temperature  | –                 | Note 10         | °C   | (9)(10) |

### QFN56 thermal resistance and package dissipation ratings

|                       |  |        |          |      |              |
|-----------------------|--|--------|----------|------|--------------|
| $R_{\theta JA}$       | Junction to ambient<br>• Natural convection<br>• Four layer board (2s2p)<br>• Eight layer board (2s6p) | –<br>– | 28<br>15 | °C/W | (11)(12)(13) |
| $R_{\theta JMA}$      | Junction to ambient (@200 ft/min)<br>• Four layer board (2s2p)   | –      | 22       | °C/W | (11)(13)     |
| $R_{\theta JB}$       | Junction to board  | –      | 10       | °C/W | (14)         |
| $R_{\theta JCBOTTOM}$ | Junction to case bottom  | –      | 1.2      | °C/W | (15)         |
| $\Psi_{JT}$           | Junction to package top<br>• Natural convection  | –      | 2.0      | °C/W | (16)         |

#### Notes

8. Do not operate beyond 125 °C for extended periods of time. Operation above 150 °C may cause permanent damage to the IC. See Table 7 for thermal protection features.
9. Pin soldering temperature limit is for 10 seconds maximum duration. Not designed for immersion soldering. Exceeding these limits may cause a malfunction or permanent damage to the device.
10. NXP's Package Reflow capability meets Pb-free requirements for JEDEC standard J-STD-020C. For Peak Package Reflow Temperature and Moisture Sensitivity Levels (MSL), go to [www.nxp.com](http://www.nxp.com), search by part number (remove prefixes/suffixes) and enter the core ID to view all orderable parts, and review parametrics.
11. Junction temperature is a function of die size, on-chip power dissipation, package thermal resistance, mounting site (board) temperature, ambient temperature, air flow, power dissipation of other components on the board, and board thermal resistance.
12. The Board uses the JEDEC specifications for thermal testing (and simulation) JESD51-7 and JESD51-5.
13. Per JEDEC JESD51-6 with the board horizontal.
14. Thermal resistance between the die and the printed circuit board per JEDEC JESD51-8. Board temperature is measured on the top surface of the board near the package.
15. Thermal resistance between the die and the case top surface as measured by the cold plate method (MIL SPEC-883 Method 1012.1).
16. Thermal characterization parameter indicating the temperature difference between package top and the junction temperature per JEDEC JESD51-2. When Greek letter ( $\Psi$ ) are not available, the thermal characterization parameter is written as Psi-JT.

### 4.2.1 Power dissipation

During operation, the temperature of the die should not exceed the operating junction temperature noted in Table 6. To optimize the thermal management and to avoid overheating, the PF0100 provides thermal protection. An internal comparator monitors the die temperature. Interrupts THERM110I, THERM120I, THERM125I, and THERM130I are generated when the respective thresholds specified in Table 7 are crossed in either direction. The temperature range can be determined by reading the THERMxxxS bits in register INTSENSE0.

In the event of excessive power dissipation, thermal protection circuitry shuts down the PF0100. This thermal protection acts above the thermal protection threshold listed in Table 7. To avoid any unwanted power downs resulting from internal noise, the protection is debounced for 8.0 ms. This protection should be considered as a fail-safe mechanism and therefore the system should be configured so protection is not tripped under normal conditions.

**Table 7. Thermal protection thresholds**

| Parameter                           | Min. | Typ. | Max. | Units |
|-------------------------------------|------|------|------|-------|
| Thermal 110 °C Threshold (THERM110) | 100  | 110  | 120  | °C    |
| Thermal 120 °C Threshold (THERM120) | 110  | 120  | 130  | °C    |
| Thermal 125 °C Threshold (THERM125) | 115  | 125  | 135  | °C    |
| Thermal 130 °C Threshold (THERM130) | 120  | 130  | 140  | °C    |
| Thermal Warning Hysteresis          | 2.0  | –    | 4.0  | °C    |
| Thermal Protection Threshold        | 130  | 140  | 150  | °C    |

## 4.3 Electrical characteristics

### 4.3.1 General specifications

**Table 8. General PMIC static characteristics.**

$T_{MIN}$  to  $T_{MAX}$  (See Table 3),  $V_{IN}$  = 2.8 to 4.5 V,  $V_{DDIO}$  = 1.7 to 3.6 V, typical external component values and full load current range, unless otherwise noted.

| Pin name  | Parameter | Load condition | Min.             | Max.             | Unit |
|-----------|-----------|----------------|------------------|------------------|------|
| PWRON     | $V_{IL}$  | –              | 0.0              | 0.2 * VSNVS      | V    |
|           | $V_{IH}$  | –              | 0.8 * VSNVS      | 3.6              | V    |
| RESETBMCU | $V_{OL}$  | -2.0 mA        | 0.0              | 0.4              | V    |
|           | $V_{OH}$  | Open Drain     | 0.7* $V_{IN}$    | $V_{IN}$         | V    |
| SCL       | $V_{IL}$  | –              | 0.0              | 0.2 * $V_{DDIO}$ | V    |
|           | $V_{IH}$  | –              | 0.8 * $V_{DDIO}$ | 3.6              | V    |
| SDA       | $V_{IL}$  | –              | 0.0              | 0.2 * $V_{DDIO}$ | V    |
|           | $V_{IH}$  | –              | 0.8 * $V_{DDIO}$ | 3.6              | V    |
|           | $V_{OL}$  | -2.0 mA        | 0.0              | 0.4              | V    |
|           | $V_{OH}$  | Open Drain     | 0.7* $V_{DDIO}$  | $V_{DDIO}$       | V    |
| INTB      | $V_{OL}$  | -2.0 mA        | 0.0              | 0.4              | V    |
|           | $V_{OH}$  | Open Drain     | 0.7* $V_{IN}$    | $V_{IN}$         | V    |
| SDWNB     | $V_{OL}$  | -2.0 mA        | 0.0              | 0.4              | V    |
|           | $V_{OH}$  | Open Drain     | 0.7* $V_{IN}$    | $V_{IN}$         | V    |
| STANDBY   | $V_{IL}$  | –              | 0.0              | 0.2 * VSNVS      | V    |
|           | $V_{IH}$  | –              | 0.8 * VSNVS      | 3.6              | V    |
| VDDOTP    | $V_{IL}$  | –              | 0.0              | 0.3              | V    |
|           | $V_{IH}$  | –              | 1.1              | 1.7              | V    |

## 4.3.2 Current consumption

**Table 9. Current consumption summary**

$T_{MIN}$  to  $T_{MAX}$  (See Table 3),  $V_{IN} = 3.6$  V,  $V_{DDIO} = 1.7$  V to 3.6 V,  $LICELL = 1.8$  V to 3.3 V,  $V_{SNVS} = 3.0$  V, typical external component values, unless otherwise noted. Typical values are characterized at  $V_{IN} = 3.6$  V,  $V_{DDIO} = 3.3$  V,  $LICELL = 3.0$  V,  $V_{SNVS} = 3.0$  V and 25 °C, unless otherwise noted.

| Mode                 | PF0100 conditions  | System conditions  | Typical | MAX                  | Unit    | Notes              |
|----------------------|--|--|---------|----------------------|---------|--------------------|
| Coin Cell            | VSNVS from LICELL<br>All other blocks off<br>$V_{IN} = 0.0$ V<br>VSNVSVOLT[2:0] = 110  | No load on VSNVS   | 4.0     | 7.0                  | $\mu$ A | (17),(19),<br>(23) |
| Off<br>MMPF0100      | VSNVS from VIN or LICELL<br>Wake-up from PWRON active<br>32 k RC on<br>All other blocks off<br>$V_{IN} \geq UVDET$   | No load on VSNVS, PMIC able to wake-up   | 16      | 21                   | $\mu$ A | (18),(19)          |
| Off<br>MMPF0100A     | VSNVS from VIN or LICELL<br>Wake-up from PWRON active<br>32 k RC on<br>All other blocks off<br>$V_{IN} \geq UVDET$   | No load on VSNVS, PMIC able to wake-up   | 17      | 25                   | $\mu$ A | (18),(19)          |
| Sleep                | VSNVS from VIN<br>Wake-up from PWRON active<br>Trimmed reference active<br>SW3A/B PFM<br>Trimmed 16 MHz RC off<br>32 k RC on<br>VREFDDR disabled   | No load on VSNVS. DDR memories in self refresh   | 122     | 220 <sup>(22)</sup>  | $\mu$ A | (19)               |
|                      |  |  | 122     | 250 <sup>(21)</sup>  |         |                    |
| Standby<br>MMPF0100  | VSNVS from either VIN or LICELL<br>SW1A/B combined in PFM<br>SW1C in PFM<br>SW2 in PFM<br>SW3A/B combined in PFM<br>SW4 in PFM<br>SWBST off<br>Trimmed 16 MHz RC enabled<br>Trimmed reference active<br>VGEN1-6 enabled<br>VREFDDR enabled | No load on VSNVS. Processor enabled in low power mode. All rails powered on except boost (load = 0 mA) | 297     | 450 <sup>(20)</sup>  | $\mu$ A | (19)               |
|                      |  |  | 297     | 1000 <sup>(22)</sup> |         |                    |
| Standby<br>MMPF0100A | VSNVS from either VIN or LICELL<br>SW1A/B combined in PFM<br>SW1C in PFM<br>SW2 in PFM<br>SW3A/B combined in PFM<br>SW4 in PFM<br>SWBST off<br>Trimmed 16 MHz RC enabled<br>Trimmed reference active<br>VGEN1-6 enabled<br>VREFDDR enabled | No load on VSNVS. Processor enabled in low power mode. All rails powered on except boost (load = 0 mA) | 297     | 450 <sup>(22)</sup>  | $\mu$ A | (19)               |
|                      |  |  | 297     | 550 <sup>(21)</sup>  |         |                    |

### Notes

- Refer to Figure 4 for coin cell mode characteristics over temperature.
- When  $V_{IN}$  is below the UVDET threshold, in the range of  $1.8$  V  $\leq V_{IN} < 2.65$  V, the quiescent current increases by 50  $\mu$ A, typically.
- For PFM operation, headroom should be 300 mV or greater.
- From 0 °C to 85 °C
- From -40 °C to 105 °C, applicable only to extended industrial parts.
- From -40 °C to 85 °C, applicable to consumer, industrial and extended industrial part numbers.
- Additional current may be drawn in the coin cell mode when RESETBMCU is pulled up to VSNVS due an internal path from RESETBMCU to  $V_{IN}$ . The additional current is < 30  $\mu$ A with a pull up resistor of 100 k $\Omega$ . The i.MX 6x processors have an internal pull up from the POR\_B pin to the VDD\_SNVS\_IN pin. For i.MX 6x applications, if additional current in the coin cell mode is not desired, use an external switch to disconnect the RESETBMCU path when  $V_{IN}$  is removed. For non-i.MX 6 applications, pull-up RESETBMCU to a rail off in the coin cell mode.

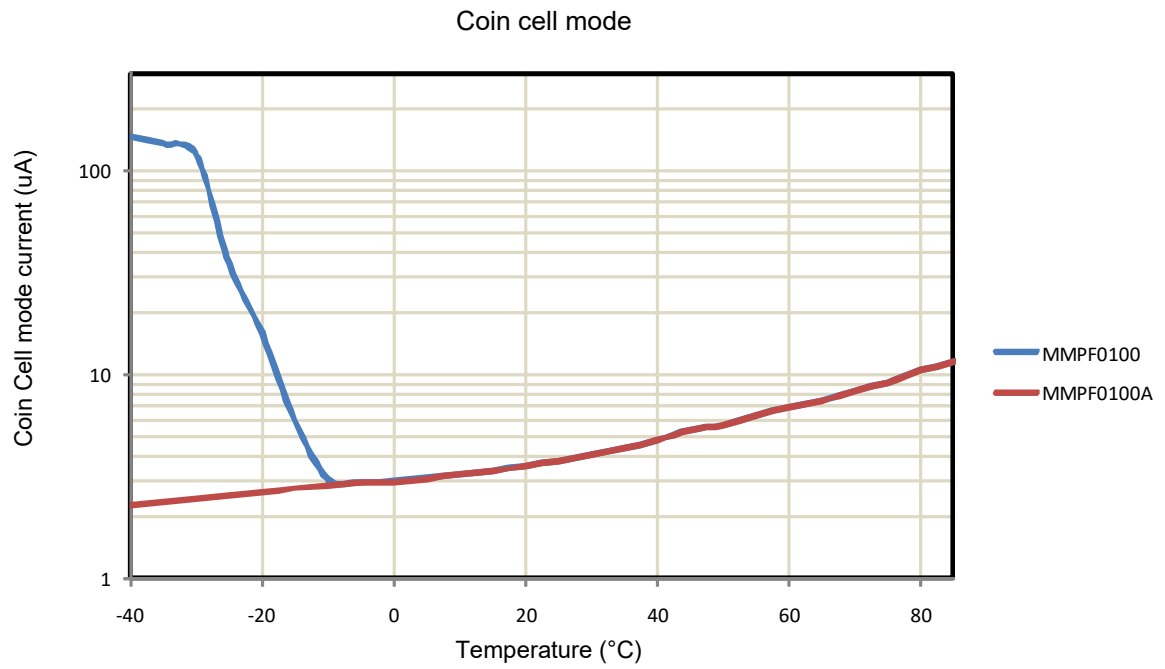


Figure 4. Coin cell mode current vs temperature

## 5 General description

The PF0100 is the power management integrated circuit (PMIC) designed primarily for use with NXP's i.MX 6 series of application processors.

### 5.1 Features

This section summarizes the PF0100 features.

- Input voltage range to PMIC: 2.8 V - 4.5 V
- Buck regulators
  - Four to six channel configurable
    - SW1A/B/C, 4.5 A (single); 0.3 V to 1.875 V
    - SW1A/B, 2.5 A (single/dual); SW1C 2.0 A (independent); 0.3 V to 1.875 V
    - SW2, 2.0 A; 0.4 V to 3.3 V (2.5 A; 1.2 V to 3.3 V <sup>(24)</sup>)
    - SW3A/B, 2.5 A (single/dual); 0.4 V to 3.3 V
    - SW3A, 1.25 A (independent); SW3B, 1.25 A (independent); 0.4 V to 3.3 V
    - SW4, 1.0 A; 0.4 V to 3.3 V
    - SW4, VTT mode provide DDR termination at 50% of SW3A
  - Dynamic voltage scaling
  - Modes: PWM, PFM, APS
  - Programmable output voltage
  - Programmable current limit
  - Programmable soft start
  - Programmable PWM switching frequency
  - Programmable OCP with fault interrupt
- Boost regulator
  - SWBST, 5.0 V to 5.15 V, 0.6 A, OTG support
  - Modes: PFM and auto
  - OCP fault interrupt
- LDOs
  - Six user programmable LDO
    - VGEN1, 0.80 V to 1.55 V, 100 mA
    - VGEN2, 0.80 V to 1.55 V, 250 mA
    - VGEN3, 1.8 V to 3.3 V, 100 mA
    - VGEN4, 1.8 V to 3.3 V, 350 mA
    - VGEN5, 1.8 V to 3.3 V, 100 mA
    - VGEN6, 1.8 V to 3.3 V, 200 mA
  - Soft start
  - LDO/switch supply
    - VSNVS (1.0/1.1/1.2/1.3/1.5/1.8/3.0 V), 400  $\mu$ A
- DDR memory reference voltage
  - VREFDDR, 0.6 V to 0.9 V, 10 mA
- 16 MHz internal master clock
- OTP(one time programmable) memory for device configuration
  - User programmable start-up sequence and timing
- Battery backed memory including coin cell charger
- I<sup>2</sup>C interface
- User programmable standby, sleep, and off modes

#### Notes

24. SW2 capable of 2.5 A in NP, F9, and FA Industrial versions only (ANES suffix)

## 5.2 Functional block diagram

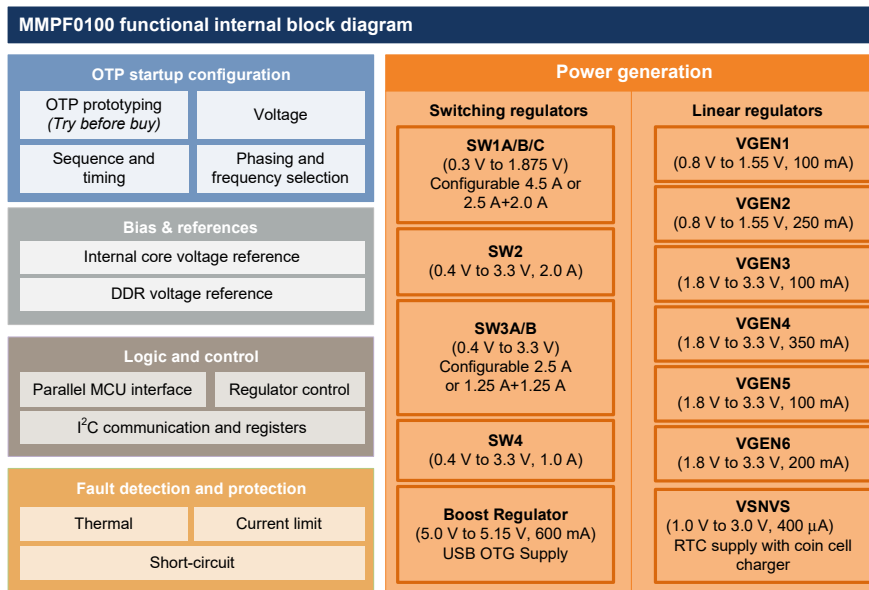


Figure 5. Functional block diagram

## 5.3 Functional description

### 5.3.1 Power generation

The PF0100 PMIC features four buck regulators (up to six independent outputs), one boost regulator, six general purpose LDOs, one switch/LDO combination and a DDR voltage reference to supply voltages for the application processor and peripheral devices.

The number of independent buck regulator outputs can be configured from four to six, thereby providing flexibility to operate with higher current capability, or to operate as independent outputs for applications requiring more voltage rails with lower current demands. Further, SW1 and SW3 regulators can be configured as single/dual phase and/or independent converters. One of the buck regulators, SW4, can also operate as a tracking regulator when used for memory termination. The buck regulators provide the supply to processor cores and to other low voltage circuits such as IO and memory. Dynamic voltage scaling is provided to allow controlled supply rail adjustments for the processor cores and/or other circuitry.

Depending on the system power path configuration, the six general purpose LDO regulators can be directly supplied from the main input supply or from the switching regulators to power peripherals, such as audio, camera, Bluetooth, Wireless LAN, etc. A specific VREFDDR voltage reference is included to provide accurate reference voltage for DDR memories operating with or without VTT termination. The VSNVS block behaves as an LDO, or as a bypass switch to supply the SNVS/SRTC circuitry on the i.MX processors; VSNVS may be powered from VIN, or from a coin cell.

### 5.3.2 Control logic

The PF0100 PMIC is fully programmable via the I<sup>2</sup>C interface. Additional communication is provided by direct logic interfacing including interrupt and reset. Start-up sequence of the device is selected upon the initial OTP configuration explained in the [Start-up](#) section, or by configuring the “Try Before Buy” feature to test different power up sequences before choosing the final OTP configuration.

The PF0100 PMIC has the interfaces for the power buttons and dedicated signaling interfacing with the processor. It also ensures supply of critical internal logic and other circuits from the coin cell in case of brief interruptions from the main battery. A charger for the coin cell is included as well.

## 5.3.2.1 Interface signals

### 5.3.2.1.1 PWRON

PWRON is an input signal to the IC generating a turn-on event. It can be configured to detect a level, or an edge using the PWRON\_CFG bit. Refer to section [6.4.2.1 Turn on events, page 31](#) for more details.

### 5.3.2.1.2 STANDBY

STANDBY is an input signal to the IC. When it is asserted the part enters standby mode and when de-asserted, the part exits standby mode. STANDBY can be configured as active high or active low using the STANDBYINV bit. Refer to the section [6.4.1.3 Standby mode, page 29](#) for more details.

Note: When operating the PMIC at  $V_{IN} \leq 2.85$  V and VSNVS is programmed for a 3.0 V output, a coin cell must be present to provide VSNVS, or the PMIC does not reliably enter and exit the STANDBY mode.

### 5.3.2.1.3 RESETBMCU

RESETBMCU is an open drain, active low output configurable for two modes of operation. In its default mode, it is de-asserted 2.0 ms to 4.0 ms after the last regulator in the start-up sequence is enabled; refer to [Figure 6](#) as an example. In this mode, the signal can be used to bring the processor out of reset, or as an indicator that all supplies have been enabled; it is only asserted for a turn-off event.

When configured for its fault mode, RESETBMCU is de-asserted after the start-up sequence is completed only if no faults occurred during start-up. At anytime, if a fault occurs and persists for 1.8 ms typically, RESETBMCU is asserted, LOW. The PF0100 is turned off if the fault persists for more than 100 ms typically. The PWRON signal restarts the part, though if the fault persists, the sequence described above is repeated. To enter the fault mode, set bit OTP\_PG\_EN of register OTP PWRGD EN to "1". This register, 0xE8, is located on [Table 137](#) of the register map. To test the fault mode, the bit may be set during TBB prototyping, or the mode may be permanently chosen by programming OTP fuses.

### 5.3.2.1.4 SDWNB

SDWNB is an open drain, active low output notifying the processor of an imminent PMIC shut down. It is asserted low for one 32 kHz clock cycle before powering down and is then de-asserted in the OFF state.

### 5.3.2.1.5 INTB

INTB is an open drain, active low output. It is asserted when any fault occurs, provided the fault interrupt is unmasked. INTB is de-asserted after the fault interrupt is cleared by software, which requires writing a "1" to the fault interrupt bit.

## 6 Functional block requirements and behaviors

### 6.1 Start-up

The PF0100 can be configured to start-up from either the internal OTP configuration, or with a hard-coded configuration built in to the device. The internal hard-coded configuration is enabled by connecting the VDDOTP pin to VCOREDIG through a 100 kΩ resistor. The OTP configuration is enabled by connecting VDDOTP to GND.

For NP devices, selecting the OTP configuration causes the PF0100 to not start-up. However, the PF0100 can be controlled through the I<sup>2</sup>C port for prototyping and programming. Once programmed, the NP device starts up with the customer programmed configuration.

#### 6.1.1 Device start-up configuration

Table 10 shows the default configuration, which can be accessed on all devices as described previously, as well as the pre-programmed OTP configurations.

**Table 10. Start-up configuration**

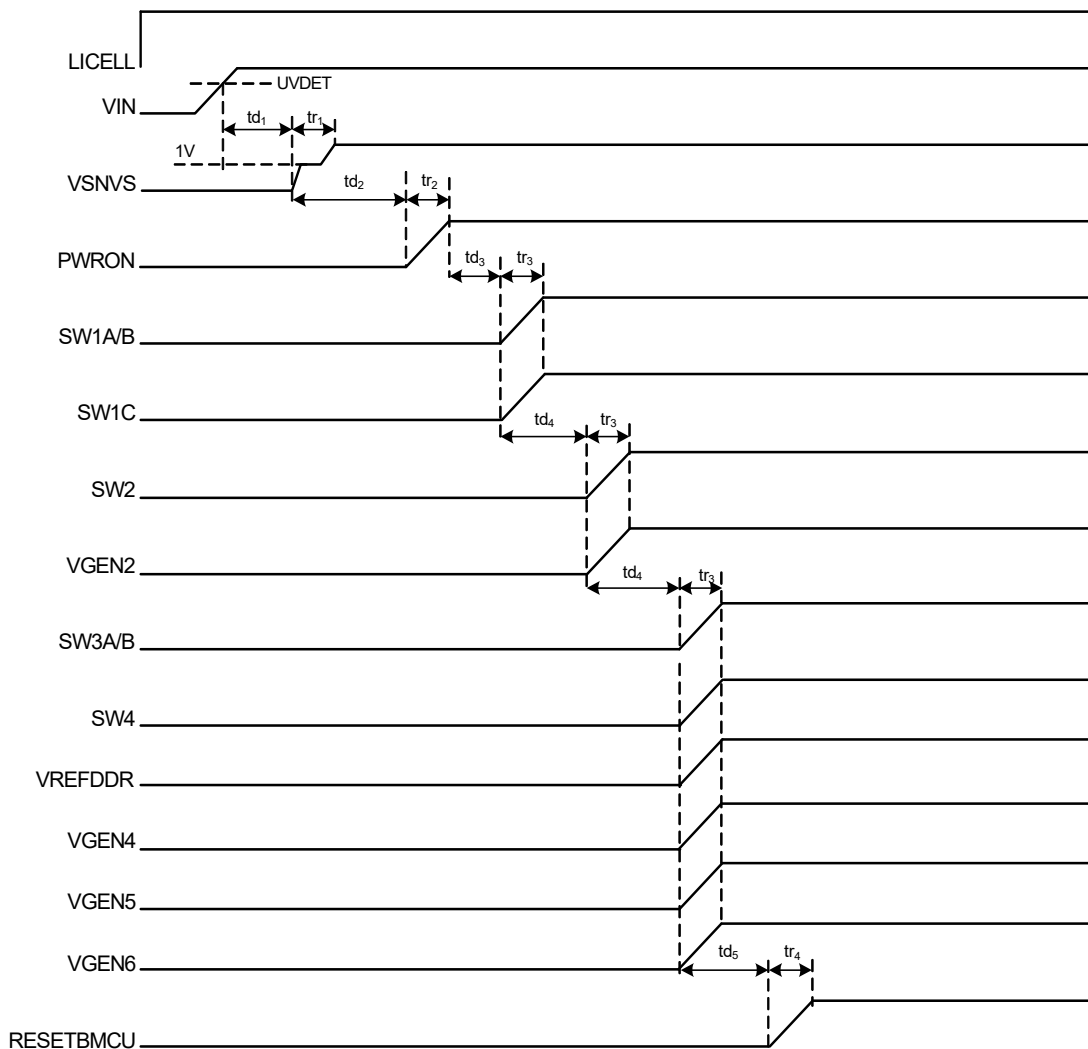
| Registers                        | Default configuration | Pre-programmed OTP configuration |                    |                    |         |         |         |         |         |         |         |         |        |
|----------------------------------|-----------------------|----------------------------------|--------------------|--------------------|---------|---------|---------|---------|---------|---------|---------|---------|--------|
|                                  | All devices           | F0                               | F1 <sup>(25)</sup> | F2 <sup>(25)</sup> | F3      | F4      | F6      | F9      | FA      | FB      | FC      | FD      |        |
| Default I <sup>2</sup> C Address | 0x08                  | 0x08                             | 0x08               | 0x08               | 0x08    | 0x08    | 0x08    | 0x08    | 0x08    | 0x08    | 0x08    | 0x08    | 0x08   |
| VSNVS_VOLT                       | 3.0 V                 | 3.0 V                            | 3.0 V              | 3.0 V              | 3.0 V   | 3.0 V   | 3.0 V   | 3.0 V   | 3.0 V   | 3.0 V   | 3.0 V   | 3.0 V   | 3.0 V  |
| SW1AB_VOLT                       | 1.375 V               | 1.375 V                          | 1.375 V            | 1.375 V            | 1.375 V | 1.375 V | 1.375 V | 1.375 V | 1.375 V | 1.375 V | 1.375 V | 1.375 V | 1.2 V  |
| SW1AB_SEQ                        | 1                     | 1                                | 1                  | 1                  | 2       | 2       | 2       | 5       | 5       | 2       | 2       | 2       | 2      |
| SW1C_VOLT                        | 1.375 V               | 1.375 V                          | 1.375 V            | 1.375 V            | 1.375 V | 1.375 V | 1.375 V | 1.375 V | 1.375 V | 1.375 V | 1.375 V | 1.375 V | 1.2 V  |
| SW1C_SEQ                         | 1                     | 2                                | 1                  | 1                  | 2       | 2       | 2       | 5       | 5       | 2       | 2       | 2       | 2      |
| SW2_VOLT                         | 3.0 V                 | 3.3 V                            | 3.15 V             | 3.15 V             | 3.15 V  | 3.15 V  | 3.3 V   | 1.375 V | 1.375 V | 3.3 V   | 3.3 V   | 3.15 V  | 3.15 V |
| SW2_SEQ                          | 2                     | 5                                | 2                  | 2                  | 1       | 1       | 4       | 5       | 5       | 6       | 5       | 1       | 1      |
| SW3A_VOLT                        | 1.5 V                 | 1.5 V                            | 1.2 V              | 1.5 V              | 1.2 V   | 1.5 V   | 1.35 V  | 1.350 V | 1.5 V   | 1.2 V   | 1.35 V  | 1.2 V   | 1.2 V  |
| SW3A_SEQ                         | 3                     | 3                                | 4                  | 4                  | 4       | 4       | 3       | 6       | 6       | 4       | 3       | 4       | 4      |
| SW3B_VOLT                        | 1.5 V                 | 1.5 V                            | 1.2 V              | 1.5 V              | 1.2 V   | 1.5 V   | 1.35 V  | 1.350 V | 1.5 V   | 1.2 V   | 1.35 V  | 1.2 V   | 1.2 V  |
| SW3B_SEQ                         | 3                     | 3                                | 4                  | 4                  | 4       | 4       | 3       | 6       | 6       | 4       | 3       | 4       | 4      |
| SW4_VOLT                         | 1.8 V                 | 3.15 V                           | 1.8 V              | 1.8 V              | 1.8 V   | 1.8 V   | 1.8 V   | 1.825 V | 1.825 V | 1.8 V   | 3.15 V  | 1.8 V   | 1.8 V  |
| SW4_SEQ                          | 3                     | 6                                | 3                  | 3                  | 3       | 3       | 4       | 7       | 7       | 3       | 6       | 3       | 3      |
| SWBST_VOLT                       | -                     | 5.0 V                            | 5.0 V              | 5.0 V              | 5.0 V   | 5.0 V   | 5.0 V   | 5.0 V   | 5.0 V   | 5.0 V   | 5.0 V   | 5.0 V   | 5.0 V  |
| SWBST_SEQ                        | -                     | 13                               | 6                  | 6                  | 6       | 6       | Off     | 10      | 10      | Off     | 13      | 6       | 6      |
| VREFDDR_SEQ                      | 3                     | 3                                | 4                  | 4                  | 4       | 4       | 3       | 6       | 6       | 4       | 3       | 4       | 4      |
| VGEN1_VOLT                       | -                     | 1.5 V                            | 1.2 V              | 1.2 V              | 1.2 V   | 1.2 V   | 1.2 V   | 1.2 V   | 1.2 V   | 1.5 V   | 1.5 V   | 1.2 V   | 1.2 V  |
| VGEN1_SEQ                        | -                     | 9                                | 4                  | 4                  | 4       | 4       | 5       | -       | -       | 3       | 9       | -       | -      |
| VGEN2_VOLT                       | 1.5 V                 | 1.5 V                            | -                  | -                  | -       | -       | 1.5 V   | 1.5 V   | 1.5 V   | 1.5 V   | 1.5 V   | 1.5 V   | 1.5 V  |
| VGEN2_SEQ                        | 2                     | 10                               | -                  | -                  | -       | -       | Off     | 8       | 8       | Off     | 10      | 7       | 7      |
| VGEN3_VOLT                       | -                     | 2.5 V                            | -                  | -                  | -       | -       | 2.8 V   | 1.8 V   | 1.8 V   | 2.5 V   | 2.5 V   | 1.8 V   | 1.8 V  |
| VGEN3_SEQ                        | -                     | 11                               | -                  | -                  | -       | -       | 5       | 8       | 8       | Off     | 11      | 7       | 7      |
| VGEN4_VOLT                       | 1.8 V                 | 1.8 V                            | 1.8 V              | 1.8 V              | 1.8 V   | 1.8 V   | 1.8 V   | 3.0 V   | 3.0 V   | 1.8 V   | 1.8 V   | 1.8 V   | 1.8 V  |
| VGEN4_SEQ                        | 3                     | 7                                | 3                  | 3                  | 3       | 3       | 4       | 4       | 4       | 7       | 7       | 3       | 3      |
| VGEN5_VOLT                       | 2.5 V                 | 2.8 V                            | 2.5 V              | 2.5 V              | 2.5 V   | 2.5 V   | 3.3 V   | 2.5 V   | 2.5 V   | 2.8 V   | 2.8 V   | 2.5 V   | 2.5 V  |

Table 10. Start-up configuration (continued)

| Registers                   | Default configuration                              | Pre-programmed OTP configuration |                    |                    |                  |                  |                  |                              |                  |  |                    |                  |
|-----------------------------|--|----------------------------------|--------------------|--------------------|------------------|------------------|------------------|------------------------------|------------------|--|--------------------|------------------|
|                             | All devices  | F0                               | F1 <sup>(25)</sup> | F2 <sup>(25)</sup> | F3               | F4               | F6               | F9                           | FA               | FB   | FC                 | FD               |
| VGEN5_SEQ                   | 3  | 12                               | 5                  | 5                  | 5                | 5                | 5                | 8                            | 8                | 1  | 1                  | 5                |
| VGEN6_VOLT                  | 2.8 V  | 3.3 V                            | -                  | -                  | -                | -                | 3.0 V            | 2.8 V                        | 2.8 V            | 3.3 V  | 3.3 V              | 2.8 V            |
| VGEN6_SEQ                   | 3  | 8                                | -                  | -                  | -                | -                | 1                | 7                            | 7                | 8  | 8                  | 7                |
| PU CONFIG,<br>SEQ_CLK_SPEED | 1.0 ms   | 2.0 ms                           | 1.0 ms             | 1.0 ms             | 1.0 ms           | 1.0 ms           | 0.5 ms           | 0.5 ms                       | 0.5 ms           | 2.0 ms   | 2.0 ms             | 1.0 ms           |
| PU CONFIG,<br>SWDVS_CLK     | 6.25 mV/ $\mu$ s                                   | 1.5625 mV/ $\mu$ s               | 12.5 mV/ $\mu$ s   | 12.5 mV/ $\mu$ s   | 12.5 mV/ $\mu$ s | 12.5 mV/ $\mu$ s | 6.25 mV/ $\mu$ s | 6.25 mV/ $\mu$ s             | 6.25 mV/ $\mu$ s | 1.5625 mV/ $\mu$ s                                 | 1.5625 mV/ $\mu$ s | 12.5 mV/ $\mu$ s |
| PU CONFIG,<br>PWRON         | Level sensitive                                    |                                  |                    |                    |                  |                  |                  |                              |                  |  |                    |                  |
| SW1AB CONFIG                | SW1AB Single Phase, SW1C Independent Mode, 2.0 MHz |                                  |                    |                    |                  |                  |                  | SW1ABC Single Phase, 2.0 MHz |                  | SW1AB Single Phase, SW1C Independent mode, 2.0 MHz |                    |                  |
| SW1C CONFIG                 | 2.0 MHz  |                                  |                    |                    |                  |                  |                  |                              |                  |  |                    |                  |
| SW2 CONFIG                  | 2.0 MHz  |                                  |                    |                    |                  |                  |                  |                              |                  |  |                    |                  |
| SW3A CONFIG                 | SW3AB Single Phase, 2.0 MHz                        |                                  |                    |                    |                  |                  |                  |                              |                  |  |                    |                  |
| SW3B CONFIG                 | 2.0 MHz  |                                  |                    |                    |                  |                  |                  |                              |                  |  |                    |                  |
| SW4 CONFIG                  | No VTT, 2.0 MHz                                    |                                  |                    |                    |                  |                  |                  |                              |                  |  |                    |                  |
| PG EN                       | RESETMCU in default mode                           |                                  |                    |                    |                  |                  |                  |                              |                  |  |                    |                  |

## Notes

25. For designs using the i.MX 6SoloLite, it is recommended to use the F3 OTP option instead of the F1 OTP option and F4 OTP option instead of the F2 OTP option.



\*VSNVS starts from 1.0 V if LICELL is valid before VIN.

Figure 6. Default start-up sequence

Table 11. Default start-up sequence timing

| Parameter                 | Description                      | Min. | Typ. | Max. | Unit | Notes |
|---------------------------|----------------------------------|------|------|------|------|-------|
| $t_{D1}$                  | Turn-on delay of VSNVS           | –    | 5.0  | –    | ms   | (26)  |
| $t_{R1}$                  | Rise time of VSNVS               | –    | 3.0  | –    | ms   |       |
| $t_{D2}$                  | User determined delay            | –    | 1.0  | –    | ms   |       |
| $t_{R2}$                  | Rise time of PWRON               | –    | (27) | –    | ms   |       |
| $t_{D3}$                  | Turn-on delay of first regulator |      |      |      |      |       |
|                           | • SEQ_CLK_SPEED[1:0] = 00        | –    | 2.0  | –    | ms   | (28)  |
|                           | • SEQ_CLK_SPEED[1:0] = 01        | –    | 2.5  | –    |      |       |
|                           | • SEQ_CLK_SPEED[1:0] = 10        | –    | 4.0  | –    |      |       |
| • SEQ_CLK_SPEED[1:0] = 11 | –                                | 7.0  | –    |      |      |       |
| $t_{R3}$                  | Rise time of regulators          | –    | 0.2  | –    | ms   | (29)  |

**Table 11. Default start-up sequence timing (continued)**

| Parameter                 | Description                | Min. | Typ. | Max. | Unit | Notes |
|---------------------------|----------------------------|------|------|------|------|-------|
| $t_{D4}$                  | Delay between regulators   |      |      |      |      |       |
|                           | • SEQ_CLK_SPEED[1:0] = 00  | –    | 0.5  | –    | ms   |       |
|                           | • SEQ_CLK_SPEED[1:0] = 01  | –    | 1.0  | –    |      |       |
|                           | • SEQ_CLK_SPEED[1:0] = 10  | –    | 2.0  | –    |      |       |
| • SEQ_CLK_SPEED[1:0] = 11 | –                          | 4.0  | –    |      |      |       |
| $t_{R4}$                  | Rise time of RESETBMCU     | –    | 0.2  | –    | ms   |       |
| $t_{D5}$                  | Turn-on delay of RESETBMCU | –    | 2.0  | –    | ms   |       |

**Notes**

26. Assumes LICELL voltage is valid before VIN is applied. If LICELL is not valid before VIN is applied then VSNVS turn-on delay may extend to a maximum of 24 ms.
27. Depends on the external signal driving PWRON.
28. Default configuration.
29. Rise time is a function of slew rate of regulators and nominal voltage selected.

## 6.1.2 One time programmability (OTP)

OTP allows the programming of start-up configurations for a variety of applications. Before permanently programming the IC by programming fuses, a configuration may be prototyped by using the “Try Before Buy” (TBB) feature. Further, an error correction code(ECC) algorithm is available to correct a single bit error and to detect multiple bit errors when fuses are programmed.

The parameters which can be configured by OTP are listed below.

- General: I<sup>2</sup>C slave address, PWRON pin configuration, start-up sequence and timing
- Buck regulators: Output voltage, dual/single phase or independent mode configuration, switching frequency, and soft start ramp rate
- Boost regulator and LDOs: Output voltage

**NOTE:** When prototyping or programming fuses, the user must ensure register settings are consistent with the hardware configuration. This is most important for the buck regulators, where the quantity, size, and value of the inductors depend on the configuration (single/dual phase or independent mode) and the switching frequency. Additionally, if an LDO is powered by a buck regulator, it is gated by the buck regulator in the start-up sequence.

### 6.1.2.1 Start-up sequence and timing

Each regulator has 5-bit allocated to program its start-up time slot from a turn on event; therefore, each can be placed from position one to thirty-one in the start-up sequence. The all zeros code indicates a regulator is not part of the start-up sequence and remains off. See [Table 12](#). The delay between each position is equal; however, four delay options are available. See [Table 13](#). The start-up sequence terminates at the last programmed regulator.

**Table 12. Start-up sequence**

| SWxx_SEQ[4:0]/<br>VGENx_SEQ[4:0]/<br>VREFDDR_SEQ[4:0] | Sequence                |
|---|-------------------------|
| 00000   | Off                     |
| 00001   | SEQ_CLK_SPEED[1:0] * 1  |
| 00010   | SEQ_CLK_SPEED[1:0] * 2  |
| *   | *                       |
| *   | *                       |
| *   | *                       |
| *   | *                       |
| 11111   | SEQ_CLK_SPEED[1:0] * 31 |

**Table 13. Start-up sequence clock speed**

| SEQ_CLK_SPEED[1:0] | Time ( $\mu$ s) |
|--------------------|-----------------|
| 00                 | 500             |
| 01                 | 1000            |
| 10                 | 2000            |
| 11                 | 4000            |

### 6.1.2.2 PWRON pin configuration

The PWRON pin can be configured as either a level sensitive input (PWRON\_CFG = 0), or as an edge sensitive input (PWRON\_CFG = 1). As a level sensitive input, an active high signal turns on the part and an active low signal turns off the part, or puts it into sleep mode. As an edge sensitive input, such as when connected to a mechanical switch, a falling edge turns on the part and if the switch is held low for greater than or equal to 4.0 seconds, the part turns off or enters sleep mode.

**Table 14. PWRON configuration**

| PWRON_CFG | Mode   |
|-----------|--|
| 0         | PWRON pin HIGH = ON<br>PWRON pin LOW = OFF or Sleep mode                                   |
| 1         | PWRON pin pulled LOW momentarily = ON<br>PWRON pin LOW for 4.0 seconds = OFF or Sleep mode |

### 6.1.2.3 I<sup>2</sup>C address configuration

The I<sup>2</sup>C device address can be programmed from 0x08 to 0x0F. This allows flexibility to change the I<sup>2</sup>C address to avoid bus conflicts. Address bit, I2C\_SLV\_ADDR[3] in OTP\_I2C\_ADDR register is hard coded to "1" while the lower three LSBs of the I<sup>2</sup>C address (I2C\_SLV\_ADDR[2:0]) are programmable as shown in [Table 15](#).

**Table 15. I<sup>2</sup>C address configuration**

| I2C_SLV_ADDR[3]<br>hard coded | I2C_SLV_ADDR[2:0] | I <sup>2</sup> C device address<br>(Hex) |
|-------------------------------|-------------------|--|
| 1                             | 000               | 0x08                                     |
| 1                             | 001               | 0x09                                     |
| 1                             | 010               | 0x0A                                     |
| 1                             | 011               | 0x0B                                     |

Table 15. I<sup>2</sup>C address configuration (continued)

| I2C_SLV_ADDR[3]<br>hard coded | I2C_SLV_ADDR[2:0] | I <sup>2</sup> C device address<br>(Hex) |
|-------------------------------|-------------------|--|
| 1                             | 100               | 0x0C                                     |
| 1                             | 101               | 0x0D                                     |
| 1                             | 110               | 0x0E                                     |
| 1                             | 111               | 0x0F                                     |

### 6.1.2.4 Soft start ramp rate

The start-up ramp rate or soft start ramp rate can be chosen from the same options as shown in [6.4.4.2.1 Dynamic voltage scaling, page 35](#).

## 6.1.3 OTP prototyping

Before permanently programming fuses, it is possible to test the desired configuration by using the “Try Before Buy” feature. With this feature, the configuration is loaded from the OTP registers. These registers merely serve as temporary storage for the values to be written to the fuses, for the values read from the fuses, or for the values read from the default configuration. To avoid confusion, these registers are referred to as the TBBOTP registers. The portion of the register map concerned with OTP is shown in [Table 137](#) and [Table 138](#).

The contents of the TBBOTP registers are initialized to zero when a valid  $V_{IN}$  is first applied. The values loaded into the TBBOTP registers depend on the setting of the VDDOTP pin and on the value of the TBB\_POR and FUSE\_POR\_XOR bits. Refer to [Table 16](#).

- If VDDOTP = V<sub>CORE</sub>DIG (1.5 V), the values are loaded from the default configuration.
- If VDDOTP = 0.0 V, TBB\_POR = 0 and FUSE\_POR\_XOR = 1, the values are loaded from the fuses. In the MMPF0100, FUSE\_POR1, FUSE\_POR2, and FUSE\_POR3 are XOR'ed into the FUSE\_POR\_XOR bit. The FUSE\_POR\_XOR has to be 1 for fuses to be loaded. This can be achieved by setting any one or all of the FUSE\_PORx bits. In the MMPF0100A, the XOR function is removed. It is required to set all of the FUSE\_PORx bits to be able to load the fuses.
- If VDDOTP = 0.0 V, TBB\_POR = 0 and FUSE\_POR\_XOR = 0, the TBBOTP registers remain initialized at zero.

The initial value of TBB\_POR is always “0”; only when VDDOTP = 0.0 V and TBB\_POR is set to “1” are the values from the TBBOTP registers maintained and not loaded from a different source.

The contents of the TBBOTP registers are modified by I<sup>2</sup>C. To communicate with I<sup>2</sup>C,  $V_{IN}$  must be valid and VDDIO, to which SDA and SCL are pulled up, must be powered by a 1.7 V to 3.6 V supply.  $V_{IN}$ , or the coin cell voltage must be valid to maintain the contents of the registers. To power on with the contents of the TBBOTP registers, the following conditions must exist;  $V_{IN}$  is valid, VDDOTP = 0.0 V, TBB\_POR = 1 and there is a valid turn-on event. Refer to the application note [AN4536](#) for an example of prototyping.

### 6.1.4 Reading OTP fuses

As described in the previous section, the contents of the fuses are loaded to the TBBOTP registers when the following conditions are met;  $V_{IN}$  is valid, VDDOTP = 0.0 V, TBB\_POR = 0 and FUSE\_POR\_XOR = 1. If ECC were enabled at the time the fuses were programmed, the error corrected values can be loaded into the TBBOTP registers if desired. Once the fuses are loaded and a turn-on event occurs, the PMIC powers on with the configuration programmed in the fuses. For more details on reading the OTP fuses, see application note [AN4536](#).

### 6.1.5 Programming OTP fuses

The parameters which can be programmed are shown in the TBBOTP registers in [Table 137. Extended page 1, page 111](#) of the register map. The PF0100 offers ECC, the control registers for which functions are located in [Extended Page 2](#) of the register map. There are ten banks of twenty-six fuses each which can be programmed. Programming the fuses requires an 8.25 V, 100 mA supply powering the VDDOTP pin, bypassed with 10 to 20  $\mu$ F of capacitance. For more details on programming the OTP fuses, see application note [AN4536](#).

**Table 16. Source of start-up sequence**

| VDDOTP(V) | TBB_POR | FUSE_POR_XOR | Start-up sequence |
|-----------|---------|--------------|-------------------|
| 0         | 0       | 0            | None              |
| 0         | 0       | 1            | OTP fuses         |
| 0         | 1       | x            | TBBOTP registers  |
| 1.5       | x       | x            | Factory defined   |

## 6.2 16 MHz and 32 kHz clocks

There are two clocks: a trimmed 16 MHz, RC oscillator and an untrimmed 32 kHz, RC oscillator. The 16 MHz oscillator is specified within -8.0/+8.0%. The 32 kHz untrimmed clock is only used in the following conditions:

- $V_{IN} < UVDET$
- All regulators are in sleep mode
- All regulators are in PFM switching mode

A 32 kHz clock, derived from the 16 MHz trimmed clock, is used when accurate timing is needed under the following conditions:

- During start-up,  $V_{IN} > UVDET$
- $PWRON\_CFG = 1$ , for power button debounce timing

In addition, when the 16 MHz is active in the ON mode, the debounce times in [Table 27](#) are referenced to the 32 kHz derived from the 16 MHz clock. The exceptions are the LOWVINI and PWRONI interrupts, which are referenced to the 32 kHz untrimmed clock.

**Table 17. 16 MHz clock specifications**

$T_{MIN}$  to  $T_{MAX}$  (See [Table 3](#)),  $V_{IN} = 2.8\text{ V}$  to  $4.5\text{ V}$ , LICELL =  $1.8\text{ V}$  to  $3.3\text{ V}$  and typical external component values. Typical values are characterized at  $V_{IN} = 3.6\text{ V}$ , LICELL =  $3.0\text{ V}$ , and  $25\text{ }^{\circ}\text{C}$ , unless otherwise noted.

| Symbol        | Parameters                 | Min. | Typ. | Max. | Units | Notes |
|---------------|----------------------------|------|------|------|-------|-------|
| $V_{IN16MHz}$ | Operating voltage from VIN | 2.8  | –    | 4.5  | V     |       |
| $f_{16MHz}$   | 16 MHz clock frequency     | 14.7 | 16   | 17.2 | MHz   |       |
| $f_{2MHz}$    | 2.0 MHz clock frequency    | 1.84 | –    | 2.15 | MHz   | (30)  |

Notes

30. 2.0 MHz clock is derived from the 16 MHz clock.

### 6.2.1 Clock adjustment

The 16 MHz clock and hence the switching frequency of the regulators, can be adjusted to improve the noise integrity of the system. By changing the factory trim values of the 16 MHz clock, the user may add an offset as small as  $\pm 3.0\%$  of the nominal frequency. Contact your NXP representative for detailed information on this feature.

## 6.3 Bias and references block description

### 6.3.1 Internal core voltage references

All regulators use the main bandgap as the reference. The main bandgap is bypassed with a capacitor at VCOREREF. The bandgap and the rest of the core circuitry are supplied from VCORE. The performance of the regulators is directly dependent on the performance of the bandgap. No external DC loading is allowed on VCORE, VCOREDIG, or VCOREREF. VCOREDIG is kept powered as long as there is a valid supply and/or valid coin cell. [Table 18](#) shows the main characteristics of the core circuitry.

**Table 18. Core voltages electrical specifications<sup>(32)</sup>**

$T_{MIN}$  to  $T_{MAX}$  (See Table 3),  $V_{IN} = 2.8\text{ V}$  to  $4.5\text{ V}$ , LICELL =  $1.8\text{ V}$  to  $3.3\text{ V}$ , and typical external component values. Typical values are characterized at  $V_{IN} = 3.6\text{ V}$ , LICELL =  $3.0\text{ V}$ , and  $25\text{ }^{\circ}\text{C}$ , unless otherwise noted.

| Symbol  | Parameters   | Min. | Typ.  | Max. | Units | Notes |
|---|--|------|-------|------|-------|-------|
| <b>VCOREDIG (digital core supply)</b>           |  |      |       |      |       |       |
| $V_{COREDIG}$                                   | Output voltage                                     | –    | 1.5   | –    | V     | (31)  |
|   | • ON mode<br>• Coin cell mode and OFF              | –    | 1.3   | –    |       | –     |
| <b>VCORE (analog core supply)</b>               |  |      |       |      |       |       |
| $V_{CORE}$                                      | Output voltage                                     | –    | 2.775 | –    | V     | (31)  |
|   | • ON mode and charging<br>• OFF and coin cell mode | –    | 0.0   | –    |       | –     |
| <b>VCOREREF (bandgap / regulator reference)</b> |  |      |       |      |       |       |
| $V_{COREREF}$                                   | Output voltage                                     | –    | 1.2   | –    | V     | (31)  |
| $V_{COREREFACC}$                                | Absolute accuracy                                  | –    | 0.5   | –    | %     |       |
| $V_{COREREFTACC}$                               | Temperature drift                                  | –    | 0.25  | –    | %     |       |

Notes

- 31.  $3.0\text{ V} < V_{IN} < 4.5\text{ V}$ , no external loading on VCOREDIG, VCORE, or VCOREREF. Extended operation down to UVDET, but no system malfunction.
- 32. For information only.

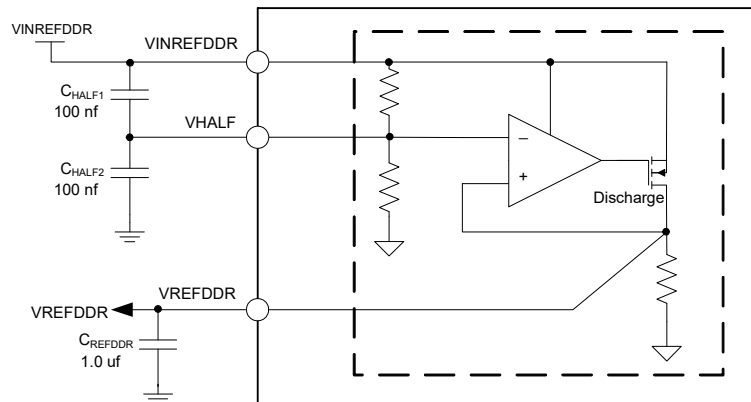
### 6.3.1.1 External components

**Table 19. External components for core voltages**

| Regulator | Capacitor value ( $\mu\text{F}$ ) |
|-----------|-----------------------------------|
| VCOREDIG  | 1.0                               |
| VCORE     | 1.0                               |
| VCOREREF  | 0.22                              |

### 6.3.2 VREFDDR voltage reference

VREFDDR is an internal PMOS half supply voltage follower capable of supplying up to 10 mA. The output voltage is at one half the input voltage. Its typically used as the reference voltage for DDR memories. A filtered resistor divider is utilized to create a low frequency pole. This divider then utilizes a voltage follower to drive the load.



**Figure 7. VREFDDR block diagram**

### 6.3.2.1 VREFDDR control register

The VREFDDR voltage reference is controlled by a single bit in VREFDDCTRL register in [Table 20](#).

**Table 20. Register VREFDDCTRL - ADDR 0x6A**

| Name      | Bit # | R/W | Default | Description  |
|-----------|-------|-----|---------|--|
| UNUSED    | 3:0   | –   | 0x00    | UNUSED   |
| VREFDDREN | 4     | R/W | 0x00    | Enable or disables VREFDDR output voltage<br>• 0 = VREFDDR Disabled<br>• 1 = VREFDDR Enabled |
| UNUSED    | 7:5   | –   | 0x00    | UNUSED   |

#### 6.3.2.1.1 External components

**Table 21. VREFDDR external components<sup>(33)</sup>**

| Capacitor                          | Capacitance ( $\mu$ F) |
|------------------------------------|------------------------|
| VINREFDDR <sup>(34)</sup> to VHALF | 0.1                    |
| VHALF to GND                       | 0.1                    |
| VREFDDR                            | 1.0                    |

Notes

33. Use X5R or X7R capacitors.

34. VINREFDDR to GND, 1.0  $\mu$ F minimum capacitance is provided by buck regulator output.

#### 6.3.2.1.2 VREFDDR specifications

**Table 22. VREFDDR electrical characteristics**

$T_{MIN}$  to  $T_{MAX}$  (See [Table 3](#)),  $V_{IN} = 3.6$  V,  $I_{REFDDR} = 0.0$  mA,  $V_{INREFDDR} = 1.5$  V and typical external component values, unless otherwise noted. Typical values are characterized at  $V_{IN} = 3.6$  V,  $I_{REFDDR} = 0.0$  mA,  $V_{INREFDDR} = 1.5$  V, and 25 °C, unless otherwise noted.

| Symbol          | Parameter   | Min. | Typ. | Max. | Unit    | Notes |
|-----------------|---|------|------|------|---------|-------|
| <b>VREFDDR</b>  |   |      |      |      |         |       |
| $V_{INREFDDR}$  | Operating input voltage range   | 1.2  | –    | 1.8  | V       |       |
| $I_{REFDDR}$    | Operating load current range  | 0.0  | –    | 10   | mA      |       |
| $I_{REFDDRLIM}$ | Current limit<br>• $I_{REFDDR}$ when $V_{REFDDR}$ is forced to $V_{INREFDDR}/4$ | 10.5 | 15   | 25   | mA      |       |
| $I_{REFDDRQ}$   | Quiescent Current   | –    | 8.0  | –    | $\mu$ A | (35)  |

**Active mode – DC**

|                 |   |      |                  |     |       |  |
|-----------------|---|------|------------------|-----|-------|--|
| $V_{REFDDR}$    | Output voltage<br>• $1.2$ V < $V_{INREFDDR}$ < $1.8$ V<br>• $0.0$ mA < $I_{REFDDR}$ < $10$ mA   | –    | $V_{INREFDDR}/2$ | –   | V     |  |
| $V_{REFDDRTOL}$ | Output voltage tolerance ( $T_A = -40$ °C to $85$ °C)<br>• $1.2$ V < $V_{INREFDDR}$ < $1.8$ V<br>• $0.6$ mA $\leq I_{REFDDR} \leq 10$ mA  | –1.0 | –                | 1.0 | %     |  |
| $V_{REFDDRTOL}$ | Output voltage tolerance ( $T_A = -40$ °C to $105$ °C), applicable only to the extended industrial version<br>• $1.2$ V < $V_{INREFDDR}$ < $1.8$ V<br>• $0.6$ mA $\leq I_{REFDDR} \leq 10$ mA | –1.2 | –                | 1.2 | %     |  |
| $V_{REFDDRLOR}$ | Load regulation<br>• $1.0$ mA < $I_{REFDDR}$ < $10$ mA<br>• $1.2$ V < $V_{INREFDDR}$ < $1.8$ V  | –    | 0.40             | –   | mV/mA |  |

**Table 22. VREFDDR electrical characteristics (continued)**

$T_{MIN}$  to  $T_{MAX}$  (See Table 3),  $V_{IN} = 3.6\text{ V}$ ,  $I_{REFDDR} = 0.0\text{ mA}$ ,  $V_{INREFDDR} = 1.5\text{ V}$  and typical external component values, unless otherwise noted. Typical values are characterized at  $V_{IN} = 3.6\text{ V}$ ,  $I_{REFDDR} = 0.0\text{ mA}$ ,  $V_{INREFDDR} = 1.5\text{ V}$ , and  $25\text{ }^{\circ}\text{C}$ , unless otherwise noted.

| Symbol                  | Parameter  | Min. | Typ. | Max. | Unit          | Notes |
|-------------------------|--|------|------|------|---------------|-------|
| <b>Active mode – AC</b> |  |      |      |      |               |       |
| $t_{ONREFDDR}$          | Turn-on time <ul style="list-style-type: none"> <li>• Enable to 90% of end value</li> <li>• <math>V_{INREFDDR} = 1.2\text{ V}, 1.8\text{ V}</math></li> <li>• <math>I_{REFDDR} = 0.0\text{ mA}</math></li> </ul>       | –    | –    | 100  | $\mu\text{s}$ |       |
| $t_{OFFREFDDR}$         | Turn-off time <ul style="list-style-type: none"> <li>• Disable to 10% of initial value</li> <li>• <math>V_{INREFDDR} = 1.2\text{ V}, 1.8\text{ V}</math></li> <li>• <math>I_{REFDDR} = 0.0\text{ mA}</math></li> </ul> | –    | –    | 10   | ms            |       |
| $V_{REFDDROSH}$         | Start-up overshoot <ul style="list-style-type: none"> <li>• <math>V_{INREFDDR} = 1.2\text{ V}, 1.8\text{ V}</math></li> <li>• <math>I_{REFDDR} = 0.0\text{ mA}</math></li> </ul>                                       | –    | 1.0  | 6.0  | %             |       |
| $V_{REFDRTLRL}$         | Transient load response <ul style="list-style-type: none"> <li>• <math>V_{INREFDDR} = 1.2\text{ V}, 1.8\text{ V}</math></li> </ul>   | –    | 5.0  | –    | mV            |       |

## Notes

35. When VREFDDR is off there is a quiescent current of  $1.5\text{ }\mu\text{A}$  typical.

## 6.4 Power generation

### 6.4.1 Modes of operation

The operation of the PF0100 can be reduced to five states, or modes: on, off, sleep, standby, and coin cell. Figure 8 shows the state diagram of the PF0100, along with the conditions to enter and exit from each state.

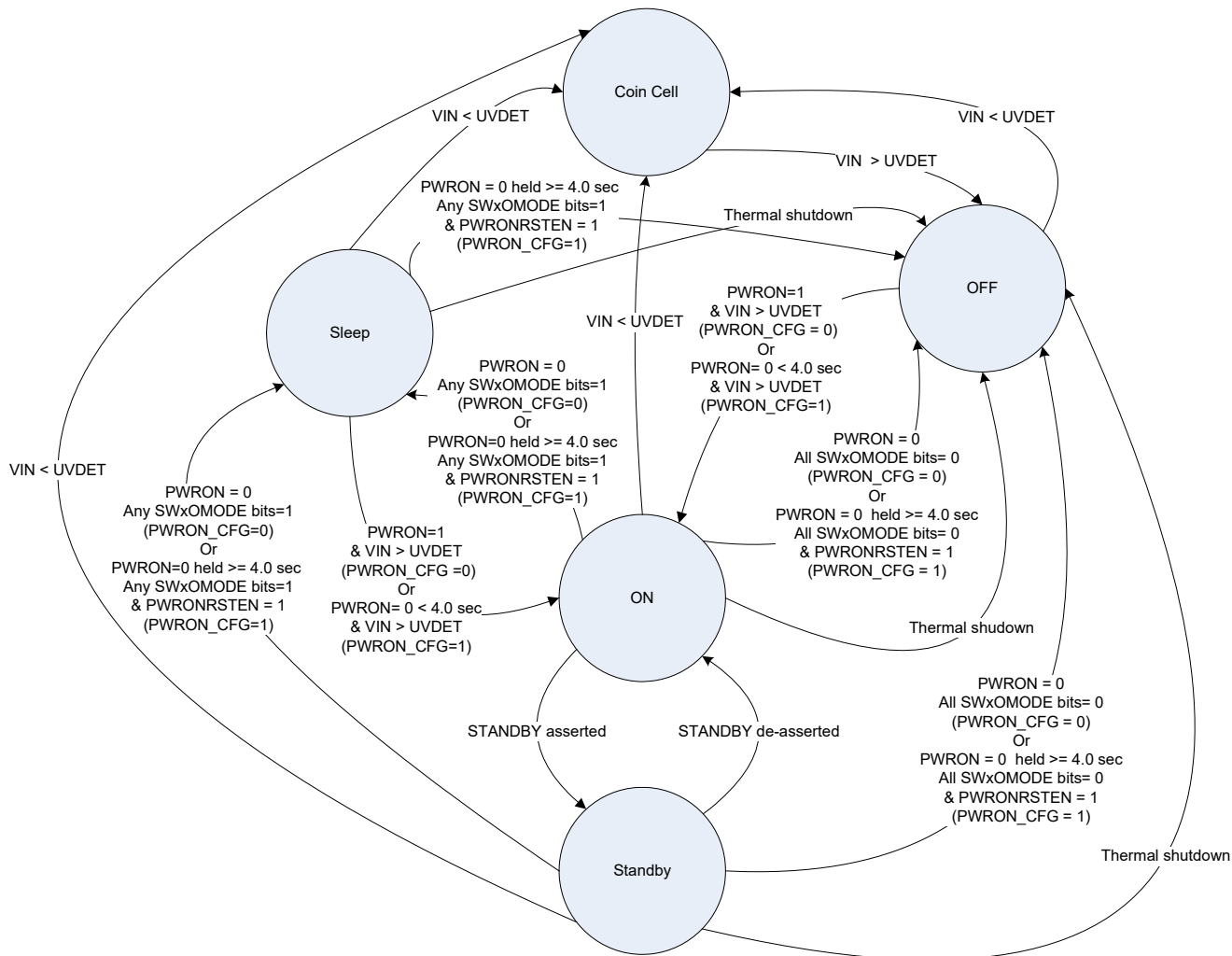


Figure 8. State diagram

To complement the state diagram in Figure 8, a description of the states is provided in following sections. Note that  $V_{IN}$  must exceed the rising UVDET threshold to allow a power up. Refer to Table 29 for the UVDET thresholds. Additionally, I<sup>2</sup>C control is not possible in the coin cell mode and the interrupt signal, INTB, is only active in sleep, standby, and on states.

#### 6.4.1.1 ON mode

The PF0100 enters the On mode after a turn-on event. RESETBMCU is de-asserted, high, in this mode of operation.

#### 6.4.1.2 OFF mode

The PF0100 enters the off mode after a turn-off event. A thermal shutdown event also forces the PF0100 into the off mode. Only VCOREDIG and VSNVS are powered in the mode of operation. To exit the off mode, a valid turn-on event is required. RESETBMCU is asserted, low, in this mode.

### 6.4.1.3 Standby mode

- Depending on STANDBY pin configuration, standby is entered when the STANDBY pin is asserted. This is typically used for low-power mode of operation.
- When STANDBY is de-asserted, standby mode is exited.

A product may be designed to go into a low-power mode after periods of inactivity. The STANDBY pin is provided for board level control of going in and out of such deep sleep modes (DSM).

When a product is in DSM, it may be able to reduce the overall platform current by lowering the regulator output voltage, changing the operating mode of the regulators or disabling some regulators. The configuration of the regulators in standby is pre-programmed through the I<sup>2</sup>C interface.

Note that the STANDBY pin is programmable for active high or active low polarity, and decoding of a standby event takes into account the programmed input polarity as shown in Table 23. When the PF0100 is powered up first, regulator settings for the standby mode are mirrored from the regulator settings for the on mode. To change the STANDBY pin polarity to Active Low, set the STANDBYINV bit via software first, and then change the regulator settings for Standby mode as required. For simplicity, STANDBY generally is referred to as active high throughout this document.

**Table 23. Standby pin and polarity control**

| STANDBY (pin) <sup>(37)</sup> | STANDBYINV (I <sup>2</sup> C bit) <sup>(38)</sup> | STANDBY control <sup>(36)</sup> |
|-------------------------------|---|---------------------------------|
| 0                             | 0   | 0                               |
| 0                             | 1   | 1                               |
| 1                             | 0   | 1                               |
| 1                             | 1   | 0                               |

Notes

36. STANDBY = 0: System is not in standby, STANDBY = 1: System is in standby  
 37. The state of the STANDBY pin only has influence in on mode.  
 38. Bit 6 in power control register (ADDR - 0x1B)

Since STANDBY pin activity is driven asynchronously to the system, a finite time is required for the internal logic to qualify and respond to the pin level changes. A programmable delay is provided to hold off the system response to a standby event. This allows the processor and peripherals some time after a standby instruction has been received to terminate processes to facilitate seamless entering into standby mode.

When enabled (STBYDLY = 01, 10, or 11) per Table 24, STBYDLY delays the standby initiated response for the entire IC, until the STBYDLY counter expires.

An allowance should be made for three additional 32 k cycles required to synchronize the standby event.

**Table 24. STANDBY delay - initiated response**

| STBYDLY[1:0] <sup>(39)</sup> | Function                  |
|------------------------------|---------------------------|
| 00                           | No delay                  |
| 01                           | One 32 k period (default) |
| 10                           | Two 32 k periods          |
| 11                           | Three 32 k periods        |

Notes

39. Bits [5:4] in power control register (ADDR - 0x1B)

### 6.4.1.4 Sleep mode

- Depending on PWRON pin configuration, sleep mode is entered when PWRON is de-asserted and SWxOMODE bit is set.
- To exit sleep mode, assert the PWRON pin.

In the sleep mode, the regulator uses the set point as programmed by SW1xOFF[5:0] for SW1A/B/C and by SWxOFF[6:0] for SW2, SW3A/B, and SW4. The activated regulators maintains settings for this mode and voltage until the next turn-on event. Table 25 shows the control bits in sleep mode. During sleep mode, interrupts are active and the INTB pin reports any unmasked fault event.

**Table 25. Regulator mode control**

| SWxOMODE | Off operational mode (Sleep) <sup>(40)</sup> |
|----------|--|
| 0        | Off  |
| 1        | PFM  |

Notes

40. For sleep mode, an activated switching regulator, should use the off mode set point as programmed by SW1xOFF[5:0] for SW1A/B/C and SWxOFF[6:0] for SW2, SW3A/B, and SW4.

### 6.4.1.5 Coin cell mode

In the coin cell state, the coin cell is the only valid power source ( $V_{IN} = 0.0\text{ V}$ ) to the PMIC. No turn-on event is accepted in the coin cell state. Transition to the off state requires  $V_{IN}$  surpasses UVDET threshold. RESETBMCU is held low in this mode.

If the coin cell is depleted, a complete system reset occurs. At the next application of power and the detection of a turn-on event, the system is re-initialized with all I<sup>2</sup>C bits including those reset on COINPORB, which are restored to their default states.

## 6.4.2 State machine flow summary

Table 26 provides a summary matrix of the PF0100 flow diagram to show the conditions needed to transition from one state to another.

**Table 26. State machine flow summary**

| STATE         |           | Next state   |                  |  |                  |   |   |
|---------------|-----------|--|------------------|--|------------------|---|---|
|               |           | OFF  | Coin cell        | Sleep  | Standby          | ON  |   |
| Initial state | OFF       | X  | $V_{IN} < UVDET$ | X  | X                | PWRON_CFG = 0<br>PWRON = 1 & $V_{IN} > UVDET$<br>or<br>PWRON_CFG = 1<br>PWRON = 0 < 4.0 s<br>& $V_{IN} > UNDET$ |   |
|               | Coin cell | $V_{IN} > UVDET$   | X                | X  | X                | X   |   |
|               | Sleep     | Thermal shutdown   | $V_{IN} < UVDET$ | X  | X                | X   | PWRON_CFG = 0<br>PWRON = 1 & $V_{IN} > UVDET$<br>or<br>PWRON_CFG = 1<br>PWRON = 0 < 4.0 s &<br>$V_{IN} > UNDET$ |
|               |           | PWRON_CFG = 1<br>PWRON = 0 ≥ 4.0 s<br>Any SWxOMODE = 1 &<br>PWRONRSTEN = 1   |                  |  |                  |   |   |
|               | Standby   | Thermal shutdown   | $V_{IN} < UVDET$ | PWRON_CFG = 0<br>PWRON = 0<br>Any SWxOMODE = 1<br>or<br>PWRON_CFG = 1<br>PWRON = 0 ≥ 4.0 s<br>Any SWxOMODE = 1 &<br>PWRONRSTEN = 1 | X                | X   | Standby de-asserted   |
|               |           | PWRON_CFG = 0<br>PWRON = 0<br>All SWxOMODE = 0<br>or<br>PWRON_CFG = 1<br>PWRON = 0 ≥ 4.0 s<br>All SWxOMODE = 0 &<br>PWRONRSTEN = 1 |                  |  |                  |   |   |
|               | ON        | Thermal shutdown   | $V_{IN} < UVDET$ | PWRON_CFG = 0<br>PWRON = 0<br>Any SWxOMODE = 1<br>or<br>PWRON_CFG = 1<br>PWRON = 0 ≥ 4.0 s<br>Any SWxOMODE = 1 &<br>PWRONRSTEN = 1 | Standby asserted | X   | X   |
|               |           | PWRON_CFG = 0<br>PWRON = 0<br>All SWxOMODE = 0<br>or<br>PWRON_CFG = 1<br>PWRON = 0 ≥ 4.0 s<br>All SWxOMODE = 0 &<br>PWRONRSTEN = 1 |                  |  |                  |   |   |

## 6.4.2.1 Turn on events

From off and sleep modes, the PMIC is powered on by a turn-on event. The type of turn-on event depends on the configuration of PWRON. PWRON may be configured as an active high when PWRON\_CFG = 0, or as the input of a mechanical switch when PWRON\_CFG = 1.  $V_{IN}$  must be greater than UVDET for the PMIC to turn-on. When PWRON is configured as an active high and PWRON is high (pulled up to VSNVS) before  $V_{IN}$  is valid, a  $V_{IN}$  transition from 0.0 V to a voltage greater than UVDET is also a Turn-on event. See the state diagram, [Figure 8](#), and the [Table 26](#) for more details. Any regulator enabled in the sleep mode remains enabled when transitioning from sleep to on, i.e., the regulator does not turn off and then on again to match the start-up sequence. The following is a more detailed description of the PWRON configurations:

- If PWRON\_CFG = 0, the PWRON signal is high and  $V_{IN} > UVDET$ , the PMIC turns on; the interrupt and sense bits, PWRONI and PWRONS respectively, is set.
- If PWRON\_CFG = 1,  $V_{IN} > UVDET$  and PWRON transitions from high to low, the PMIC turns on; the interrupt and sense bits, PWRONI and PWRONS respectively, sets.

The sense bit shows the real time status of the PWRON pin. In this configuration, the PWRON input can be a mechanical switch debounced through a programmable debouncer, PWRONDBNC[1:0], to avoid a response to a very short (i.e., unintentional) key press. The interrupt is generated for both the falling and the rising edge of the PWRON pin. By default, a 30 ms interrupt debounce is applied to both falling and rising edges. The falling edge debounce timing can be extended with PWRONDBNC[1:0] as defined in [Table 27](#). The interrupt is cleared by software, or when cycling through the OFF mode.

**Table 27. PWRON hardware debounce bit settings**

| Bits           | State | Turn on debounce (ms) | Falling edge INT debounce (ms) | Rising edge INT debounce (ms) |
|----------------|-------|-----------------------|--------------------------------|-------------------------------|
| PWRONDBNC[1:0] | 00    | 0.0                   | 31.25                          | 31.25                         |
|                | 01    | 31.25                 | 31.25                          | 31.25                         |
|                | 10    | 125                   | 125                            | 31.25                         |
|                | 11    | 750                   | 750                            | 31.25                         |

### Notes

41. The sense bit, PWRONS, is not debounced and follows the state of the PWRON pin.

## 6.4.2.2 Turn off events

### 6.4.2.2.1 PWRON pin

The PWRON pin is used to power off the PF0100. The PWRON pin can be configured with OTP to power off the PMIC under the following two conditions:

1. PWRON\_CFG bit = 0, SWxOMODE bit = 0 and PWRON pin is low.
2. PWRON\_CFG bit = 1, SWxOMODE bit = 0, PWRONRSTEN = 1 and PWRON is held low for longer than 4.0 seconds. Alternatively, the system can be configured to restart automatically by setting the RESTARTEN bit.

### 6.4.2.2.2 Thermal protection

If the die temperature surpasses a given threshold, the thermal protection circuit powers off the PMIC to avoid damage. A turn-on event does not power on the PMIC while it is in thermal protection. The part remains in off mode until the die temperature decreases below a given threshold. There are no specific interrupts related to this other than the warning interrupt. See [4.2.1 Power dissipation, page 11](#) section for more detailed information.

### 6.4.2.2.3 Undervoltage detection

When the voltage at VIN drops below the undervoltage falling threshold, UVDET, the state machine transitions to the coin cell mode.

### 6.4.3 Power tree

The PF0100 PMIC features six buck regulators, one boost regulator, six general purpose LDOs, one switch/LDO combination, and a DDR voltage reference to supply voltages for the application processor and peripheral devices. The buck regulators as well as the boost regulator are supplied directly from the main input supply ( $V_{IN}$ ). The inputs to all of the buck regulators must be tied to  $V_{IN}$ , whether they are powered on or off. The six general use LDO regulators are directly supplied from the main input supply or from the switching regulators depending on the application requirements. Since VREFDDR is intended to provide DDR memory reference voltage, it should be supplied by any rail supplying voltage to DDR memories; the typical application recommends the use of SW3 as the input supply for VREFDDR. VSNVS is supplied by either the main input supply or the coin cell. Refer to [Table 28](#) for a summary of all power supplies provided by the PF0100.

**Table 28. Power tree summary**

| Supply  | Output voltage (V)      | Step size (mV) | Maximum load current (mA) |
|---------|-------------------------|----------------|---------------------------|
| SW1A/B  | 0.3 - 1.875             | 25             | 2500                      |
| SW1C    | 0.3 - 1.875             | 25             | 2000                      |
| SW2     | 0.4 - 3.3               | 25/50          | 2000 <sup>(43)</sup>      |
| SW3A/B  | 0.4 - 3.3               | 25/50          | 1250 <sup>(42)</sup>      |
| SW4     | 0.5*SW3A_OUT, 0.4 - 3.3 | 25/50          | 1000                      |
| SWBST   | 5.00/5.05/5.10/5.15     | 50             | 600                       |
| VGEN1   | 0.80 – 1.55             | 50             | 100                       |
| VGEN2   | 0.80 – 1.55             | 50             | 250                       |
| VGEN3   | 1.8 – 3.3               | 100            | 100                       |
| VGEN4   | 1.8 – 3.3               | 100            | 350                       |
| VGEN5   | 1.8 – 3.3               | 100            | 100                       |
| VGEN6   | 1.8 – 3.3               | 100            | 200                       |
| VSNVS   | 1.0 - 3.0               | NA             | 0.4                       |
| VREFDDR | 0.5*SW3A_OUT            | NA             | 10                        |

**Notes**

42. Current rating per independent phase, when SW3A/B is set in single or dual phase, current capability is up to 2500 mA.
43. SW2 capable of 2500 mA in NP, F9, and FA Industrial versions only (ANES suffix)

[Figure 9](#) shows a simplified power map with various recommended options to supply the different block within the PF0100, as well as the typical application voltage domain on the i.MX 6X processor. Note that each application power tree is dependent upon the system's voltage and current requirements, therefore a proper input voltage should be selected for the regulators.

The minimum operating voltage for the main  $V_{IN}$  supply is 2.8 V, for lower voltages proper operation is not guaranteed. However at initial power up, the input voltage must surpass the rising UVDET threshold before proper operation is guaranteed. Refer to the representative tables and text specifying each supply for information on performance metrics and operating ranges. [Table 29](#) summarizes the UVDET thresholds.

**Table 29. UVDET threshold**

| UVDET threshold | $V_{IN}$ |
|-----------------|----------|
| Rising          | 3.1 V    |
| Falling         | 2.65 V   |

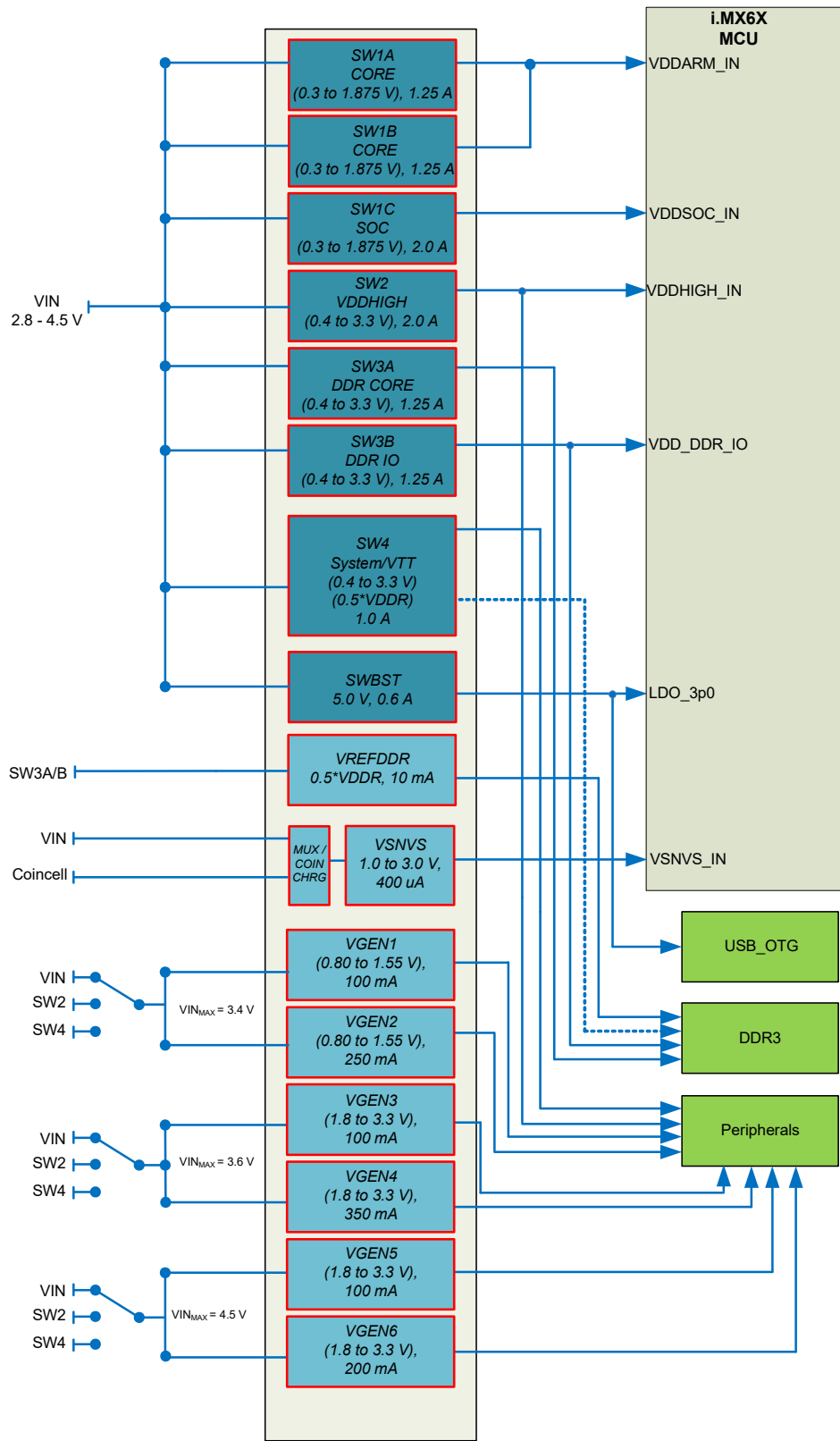


Figure 9. PF100 typical power map

## 6.4.4 Buck regulators

Each buck regulator is capable of operating in PFM, APS, and PWM switching modes.

### 6.4.4.1 Current limit

Each buck regulator has a programmable current limit. In an overcurrent condition, the current is limited cycle-by-cycle. If the current limit condition persists for more than 8.0 ms, a fault interrupt is generated.

### 6.4.4.2 General control

To improve system efficiency the buck regulators can operate in different switching modes. Changing between switching modes can occur by any of the following means: I<sup>2</sup>C programming, exiting/entering the Standby mode, exiting/entering Sleep mode, and load current variation. Available switching modes for buck regulators are presented in [Table 30](#).

**Table 30. Switching mode description**

| Mode | Description  |
|------|--|
| OFF  | The regulator is switched off and the output voltage is discharged.  |
| PFM  | In this mode, the regulator is always in PFM mode, which is useful at light loads for optimized efficiency.            |
| PWM  | In this mode, the regulator is always in PWM mode operation regardless of load conditions.                             |
| APS  | In this mode, the regulator moves automatically between pulse skipping mode and PWM mode depending on load conditions. |

During soft-start of the buck regulators, the controller transitions through the PFM, APS, and PWM switching modes. 3.0 ms (typical) after the output voltage reaches regulation, the controller transitions to the selected switching mode. Depending on the particular switching mode selected, additional ripple may be observed on the output voltage rail as the controller transitions between switching modes.

[Table 31](#) summarizes the buck regulator programmability for normal and standby modes.

**Table 31. Regulator mode control**

| SWxMODE[3:0] | Normal mode | Standby mode |
|--------------|-------------|--------------|
| 0000         | Off         | Off          |
| 0001         | PWM         | Off          |
| 0010         | Reserved    | Reserved     |
| 0011         | PFM         | Off          |
| 0100         | APS         | Off          |
| 0101         | PWM         | PWM          |
| 0110         | PWM         | APS          |
| 0111         | Reserved    | Reserved     |
| 1000         | APS         | APS          |
| 1001         | Reserved    | Reserved     |
| 1010         | Reserved    | Reserved     |
| 1011         | Reserved    | Reserved     |
| 1100         | APS         | PFM          |
| 1101         | PWM         | PFM          |
| 1110         | Reserved    | Reserved     |
| 1111         | Reserved    | Reserved     |

Transitioning between normal and standby modes can affect a change in switching modes as well as output voltage. The rate of the output voltage change is controlled by the dynamic voltage scaling (DVS), explained in [6.4.4.2.1 Dynamic voltage scaling, page 35](#). For each regulator, the output voltage options are the same for normal and standby modes.

When in standby mode, the regulator outputs the voltage programmed in its standby voltage register and operates in the mode selected by the SWxMODE[3:0] bits. Upon exiting Standby mode, the regulator returns to its normal switching mode and its output voltage programmed in its voltage register.

Any regulators whose SWxOMODE bit is set to “1” enters Sleep mode if a PWRON turn-off event occurs, and any regulator whose SWxOMODE bit is set to “0” turns off. In sleep mode, the regulator outputs the voltage programmed in its off (sleep) voltage register and operates in the PFM mode. The regulator exits the sleep mode when a turn-on event occurs. Any regulator whose SWxOMODE bit is set to “1” remains on and change to its normal configuration settings when exiting the sleep state to the on state. Any regulator whose SWxOMODE bit is set to “0” is powered up with the same delay in the start-up sequence as when powering on from off. At this point, the regulator returns to its default on state output voltage and switch mode settings.

[Table 25](#) shows the control bits in sleep mode. When sleep mode is activated by the SWxOMODE bit, the regulator uses the set point as programmed by SW1xOFF[5:0] for SW1A/B/C and by SWxOFF[6:0] for SW2, SW3A/B, and SW4.

### 6.4.4.2.1 Dynamic voltage scaling

To reduce overall power consumption, processor core voltages can be varied depending on the mode or activity level of the processor.

1. Normal operation: The output voltage is selected by I<sup>2</sup>C bits SW1x[5:0] for SW1A/B/C and SWx[6:0] for SW2, SW3A/B, and SW4. A voltage transition initiated by I<sup>2</sup>C is governed by the DVS stepping rates shown in [Table 34](#) and [Table 35](#).
2. Standby mode: The output voltage can be higher, or lower than in normal operation, but is typically selected to be the lowest state retention voltage of a given processor; it is selected by I<sup>2</sup>C bits SW1xSTBY[5:0] for SW1A/B/C and by bits SWxSTBY[6:0] for SW2, SW3A/B, and SW4. Voltage transitions initiated by a Standby event are governed by the SW1xDVSSPEED[1:0] and SWxDVSSPEED[1:0] I<sup>2</sup>C bits shown in [Table 34](#) and [Table 35](#), respectively.
3. Sleep mode: The output voltage can be higher or lower than in normal operation, but is typically selected to be the lowest state retention voltage of a given processor; it is selected by I<sup>2</sup>C bits SW1xOFF[5:0] for SW1A/B/C and by bits SWxOFF[6:0] for SW2, SW3A/B, and SW4. Voltage transitions initiated by a turn-off event are governed by the SW1xDVSSPEED[1:0] and SWxDVSSPEED[1:0] I<sup>2</sup>C bits shown in [Table 34](#) and [Table 35](#), respectively.

[Table 32](#), [Table 33](#), [Table 34](#), and [Table 35](#) summarize the set point control and DVS time stepping applied to all regulators.

**Table 32. DVS control logic for SW1A/B/C**

| STANDBY | Set point selected by |
|---------|-----------------------|
| 0       | SW1x[5:0]             |
| 1       | SW1xSTBY[5:0]         |

**Table 33. DVS control logic for SW2, SW3A/B, and SW4**

| STANDBY | Set Point Selected by |
|---------|-----------------------|
| 0       | SWx[6:0]              |
| 1       | SWxSTBY[6:0]          |

**Table 34. DVS speed selection for SW1A/B/C**

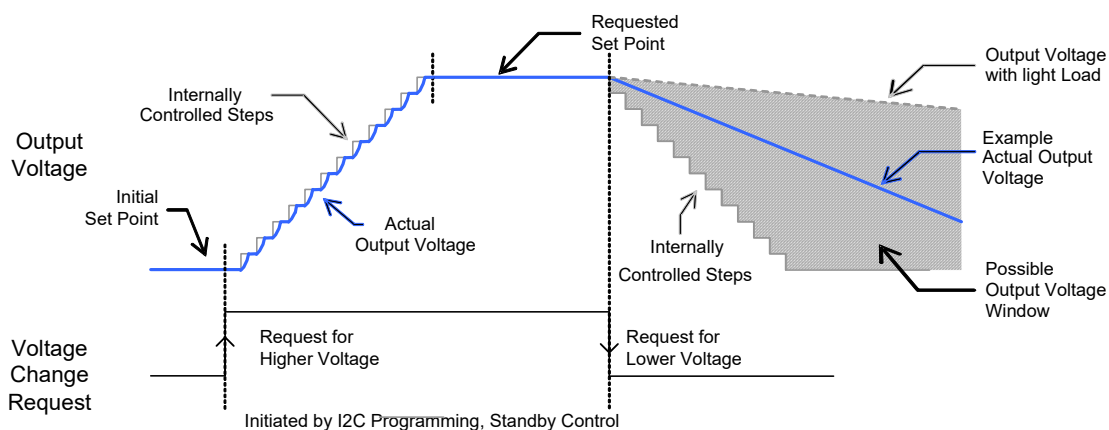
| SW1xDVSSPEED[1:0] | Function                    |
|-------------------|-----------------------------|
| 00                | 25 mV step each 2.0 $\mu$ s |
| 01 (default)      | 25 mV step each 4.0 $\mu$ s |
| 10                | 25 mV step each 8.0 $\mu$ s |
| 11                | 25 mV step each 16 $\mu$ s  |

**Table 35. DVS speed selection for SW2, SW3A/B, and SW4**

| SWxDVSSPEED[1:0] | Function<br>SWx[6] = 0 or SWxSTBY[6] = 0 | Function<br>SWx[6] = 1 or SWxSTBY[6] = 1 |
|------------------|--|--|
| 00               | 25 mV step each 2.0 $\mu$ s              | 50 mV step each 4.0 $\mu$ s              |
| 01 (default)     | 25 mV step each 4.0 $\mu$ s              | 50 mV step each 8.0 $\mu$ s              |
| 10               | 25 mV step each 8.0 $\mu$ s              | 50 mV step each 16 $\mu$ s               |
| 11               | 25 mV step each 16 $\mu$ s               | 50 mV step each 32 $\mu$ s               |

The regulators have a strong sourcing capability and sinking capability in PWM mode, therefore the fastest rising and falling slopes are determined by the regulator in PWM mode. However, if the regulators are programmed in PFM or APS mode during a DVS transition, the falling slope can be influenced by the load. Additionally, as the current capability in PFM mode is reduced, controlled DVS transitions in PFM mode could be affected. Critically timed DVS transitions are best assured with PWM mode operation.

The following diagram shows the general behavior for the regulators when initiated with I<sup>2</sup>C programming, or standby control. During the DVS period the overcurrent condition on the regulator should be masked.



**Figure 10. Voltage stepping with DVS**

### 6.4.4.2.2 Regulator phase clock

The SWxPHASE[1:0] bits select the phase of the regulator clock as shown in Table 36. By default, each regulator is initialized at 90 ° out of phase with respect to each other. For example, SW1x is set to 0 °, SW2 is set to 90 °, SW3A/B is set to 180 °, and SW4 is set to 270 ° by default at power up.

**Table 36. Regulator phase clock selection**

| SWxPHASE[1:0] | Phase of clock sent to regulator (degrees) |
|---------------|--|
| 00            | 0  |
| 01            | 90   |
| 10            | 180  |
| 11            | 270  |

The SWxFREQ[1:0] register is used to set the desired switching frequency for each one of the buck regulators. Table 38 shows the selectable options for SWxFREQ[1:0]. For each frequency, all phases are available, allowing regulators operating at different frequencies to have different relative switching phases. However, not all combinations are practical. For example, 2.0 MHz, 90 ° and 4.0 MHz, 180 ° are the same in terms of phasing. Table 37 shows the optimum phasing when using more than one switching frequency.

**Table 37. Optimum phasing**

| Frequencies                   | Optimum Phasing     |
|-------------------------------|---------------------|
| 1.0 MHz<br>2.0 MHz            | 0 °<br>180 °        |
| 1.0 MHz<br>4.0 MHz            | 0 °<br>180 °        |
| 2.0 MHz<br>4.0 MHz            | 0 °<br>180 °        |
| 1.0 MHz<br>2.0 MHz<br>4.0 MHz | 0 °<br>90 °<br>90 ° |

**Table 38. Regulator frequency configuration**

| SWxFREQ[1:0] | Frequency |
|--------------|-----------|
| 00           | 1.0 MHz   |
| 01           | 2.0 MHz   |
| 10           | 4.0 MHz   |
| 11           | Reserved  |

### 6.4.4.2.3 Programmable maximum current

The maximum current,  $ISW_{xMAX}$ , of each buck regulator is programmable. This allows the use of smaller inductors where lower currents are required. Programmability is accomplished by choosing the number of paralleled power stages in each regulator. The  $SW_x\_PWRSTG[2:0]$  bits in [Table 138. Extended Page 2, page 115](#) of the register map control the number of power stages. See [Table 39](#) for the programmable options. Bit[0] must always be enabled to ensure the stage with the current sensor is chosen. The default setting,  $SW_x\_PWRSTG[2:0] = 111$ , represents the highest maximum current. The current limit for each option is also scaled by the percentage of power stages enabled.

**Table 39. Programmable current configuration**

| Regulators | Control bits      |   |   | % of power stages enabled | Rated current (A) |
|------------|-------------------|---|---|---------------------------|-------------------|
| SW1AB      | SW1AB_PWRSTG[2:0] |   |   |                           | $ISW1AB_{MAX}$    |
|            | 0                 | 0 | 1 | 40%                       | 1.0               |
|            | 0                 | 1 | 1 | 80%                       | 2.0               |
|            | 1                 | 0 | 1 | 60%                       | 1.5               |
|            | 1                 | 1 | 1 | 100%                      | 2.5               |
| SW1C       | SW1C_PWRSTG[2:0]  |   |   |                           | $ISW1C_{MAX}$     |
|            | 0                 | 0 | 1 | 43%                       | 0.9               |
|            | 0                 | 1 | 1 | 58%                       | 1.2               |
|            | 1                 | 0 | 1 | 86%                       | 1.7               |
|            | 1                 | 1 | 1 | 100%                      | 2.0               |
| SW2        | SW2_PWRSTG[2:0]   |   |   |                           | $ISW2_{MAX}$      |
|            | 0                 | 0 | 1 | 38%                       | 0.75              |
|            | 0                 | 1 | 1 | 75%                       | 1.5               |
|            | 1                 | 0 | 1 | 63%                       | 1.25              |
|            | 1                 | 1 | 1 | 100%                      | 2.0               |

**Table 39. Programmable current configuration (continued)**

| Regulators | Control bits     |   |   | % of power stages enabled | Rated current (A)    |
|------------|------------------|---|---|---------------------------|----------------------|
| SW3A       | SW3A_PWRSTG[2:0] |   |   |                           | ISW3A <sub>MAX</sub> |
|            | 0                | 0 | 1 | 40%                       | 0.5                  |
|            | 0                | 1 | 1 | 80%                       | 1.0                  |
|            | 1                | 0 | 1 | 60%                       | 0.75                 |
|            | 1                | 1 | 1 | 100%                      | 1.25                 |
| SW3B       | SW3B_PWRSTG[2:0] |   |   |                           | ISW3B <sub>MAX</sub> |
|            | 0                | 0 | 1 | 40%                       | 0.5                  |
|            | 0                | 1 | 1 | 80%                       | 1.0                  |
|            | 1                | 0 | 1 | 60%                       | 0.75                 |
|            | 1                | 1 | 1 | 100%                      | 1.25                 |
| SW4        | SW4_PWRSTG[2:0]  |   |   |                           | ISW4 <sub>MAX</sub>  |
|            | 0                | 0 | 1 | 50%                       | 0.5                  |
|            | 0                | 1 | 1 | 75%                       | 0.75                 |
|            | 1                | 0 | 1 | 75%                       | 0.75                 |
|            | 1                | 1 | 1 | 100%                      | 1.0                  |

### 6.4.4.3 SW1A/B/C

SW1A/B/C are 2.5 A to 4.5 A buck regulators which can be configured in various phasing schemes, depending on the desired cost/performance trade-offs. The following configurations are available:

- SW1A/B/C single phase with one inductor
- SW1A/B as a single phase with one inductor and SW1C in independent mode with one inductor
- SW1A/B as a dual phase with two inductors and SW1C in independent mode with one inductor

The desired configuration is programmed by OTP by using SW1\_CONFIG[1:0] bits in the register map [Table 137. Extended page 1, page 111](#), as shown in [Table 40](#).

**Table 40. SW1 configuration**

| SW1_CONFIG[1:0] | Description                          |
|-----------------|--------------------------------------|
| 00              | A/B/C single phase                   |
| 01              | A/B single phase, C independent mode |
| 10              | A/B dual phase, C independent mode   |
| 11              | Reserved                             |

#### 6.4.4.3.1 SW1A/B/C single phase

In this configuration, all phases A, B, and C, are connected together to a single inductor, thus, providing up to 4.50 A current capability for high current applications. The feedback and all other controls are accomplished by use of pin SW1CFB and SW1C control registers, respectively. [Figure 11](#) shows the connection for SW1A/B/C in single phase mode.

During single phase mode operation, all three phases use the same configuration for frequency, phase, and DVS speed set in SW1CCONF register. However, the same configuration settings for frequency, phase, and DVS speed setting on SW1AB registers should be used. The SW1FB pin should be left floating in this configuration.

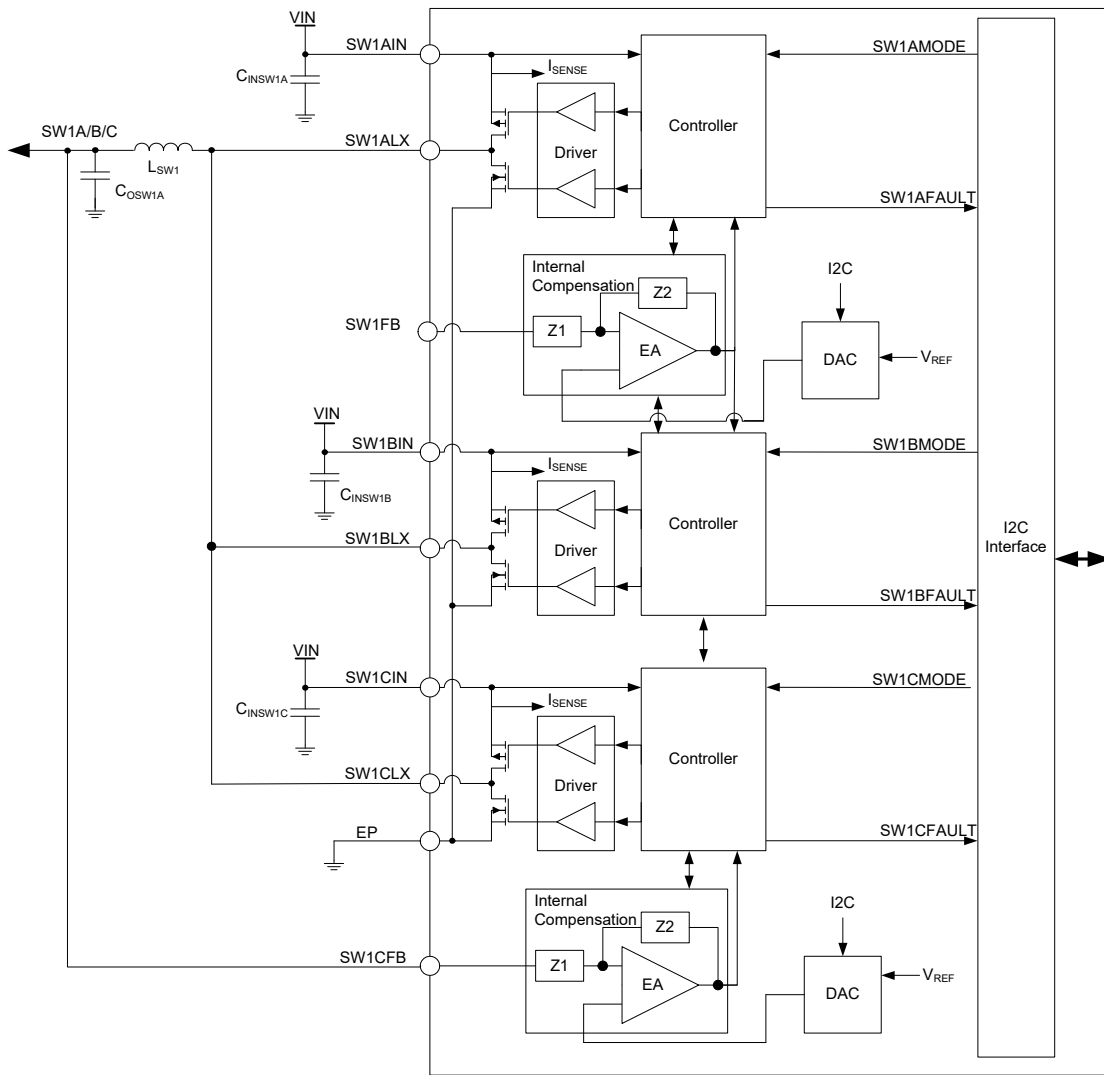
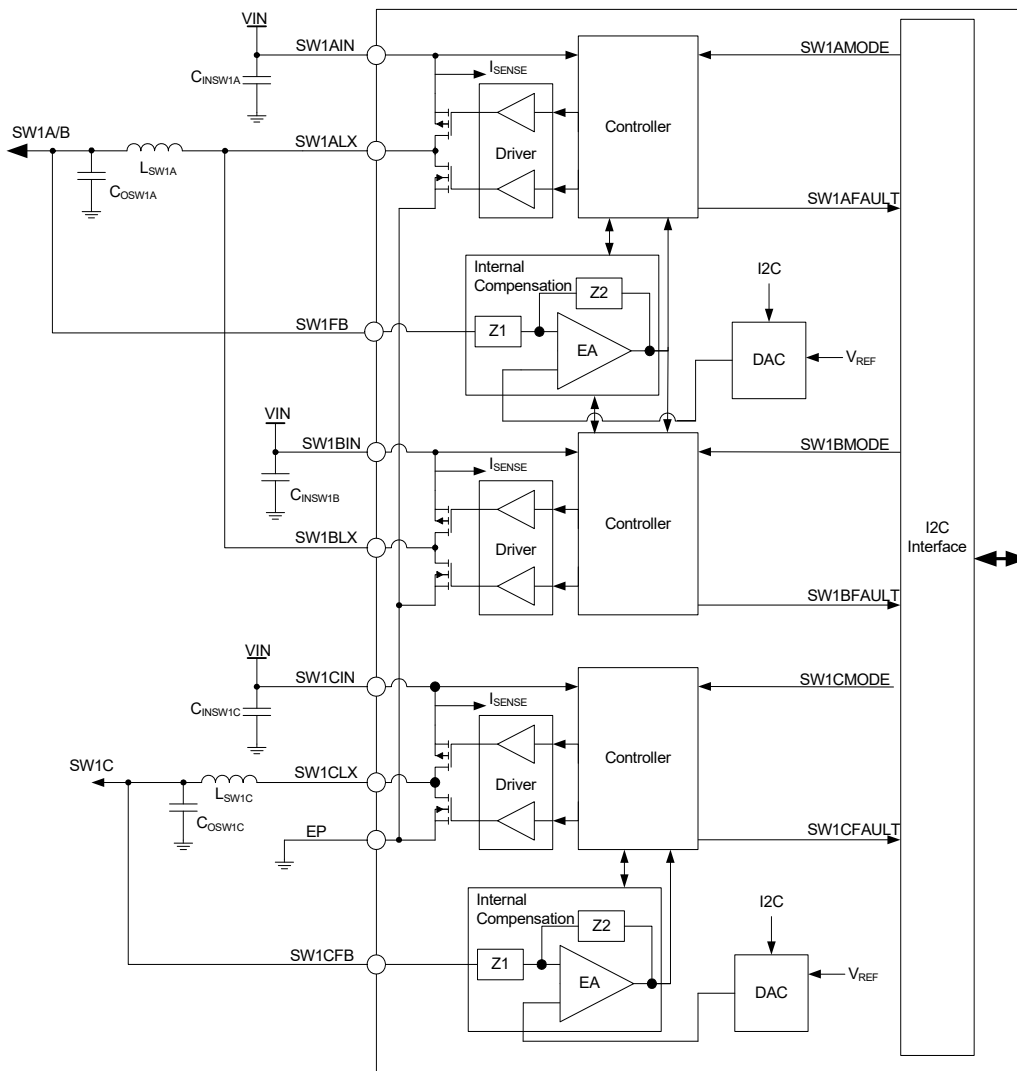


Figure 11. SW1A/B/C single phase block diagram

### 6.4.4.3.2 SW1A/B single phase - SW1C independent mode

In this configuration, SW1A/B is connected as a single phase with a single inductor, while SW1C is used as an independent output, using its own inductor and configurations parameters. This configuration allows reduced component count by using only one inductor for SW1A/B. As mentioned before, SW1A/B and SW1C operate independently from one another, thus, they can be operated with a different voltage set point for normal, standby, and sleep modes, as well as switching mode selection and on/off control. Figure 12 shows the physical connection for SW1A/B in single phase and SW1C as an independent output.



**Figure 12. SW1A/B single phase, SW1C independent mode block diagram**

Both SW1ALX and SW1BLX nodes operate at the same DVS, frequency, and phase configured by the SW1ABCONF register, while SW1CLX node operates independently, using the configuration in the SW1CCONF register.

### 6.4.4.3.3 SW1A/B dual phase - SW1C independent mode

In this mode, SW1A/B is connected in dual phase mode using one inductor per switching node, while SW1C is used as an independent output using its own inductor and configuration parameters. This mode provides a smaller output voltage ripple on the SW1A/B output. As mentioned before, SW1A/B and SW1C operate independently from one another, thus, they can be operated with a different voltage set point for normal, standby, and sleep modes, as well as switching mode selection and on/off control. [Figure 13](#) shows the physical connection for SW1A/B in dual phase and SW1C as an independent output.

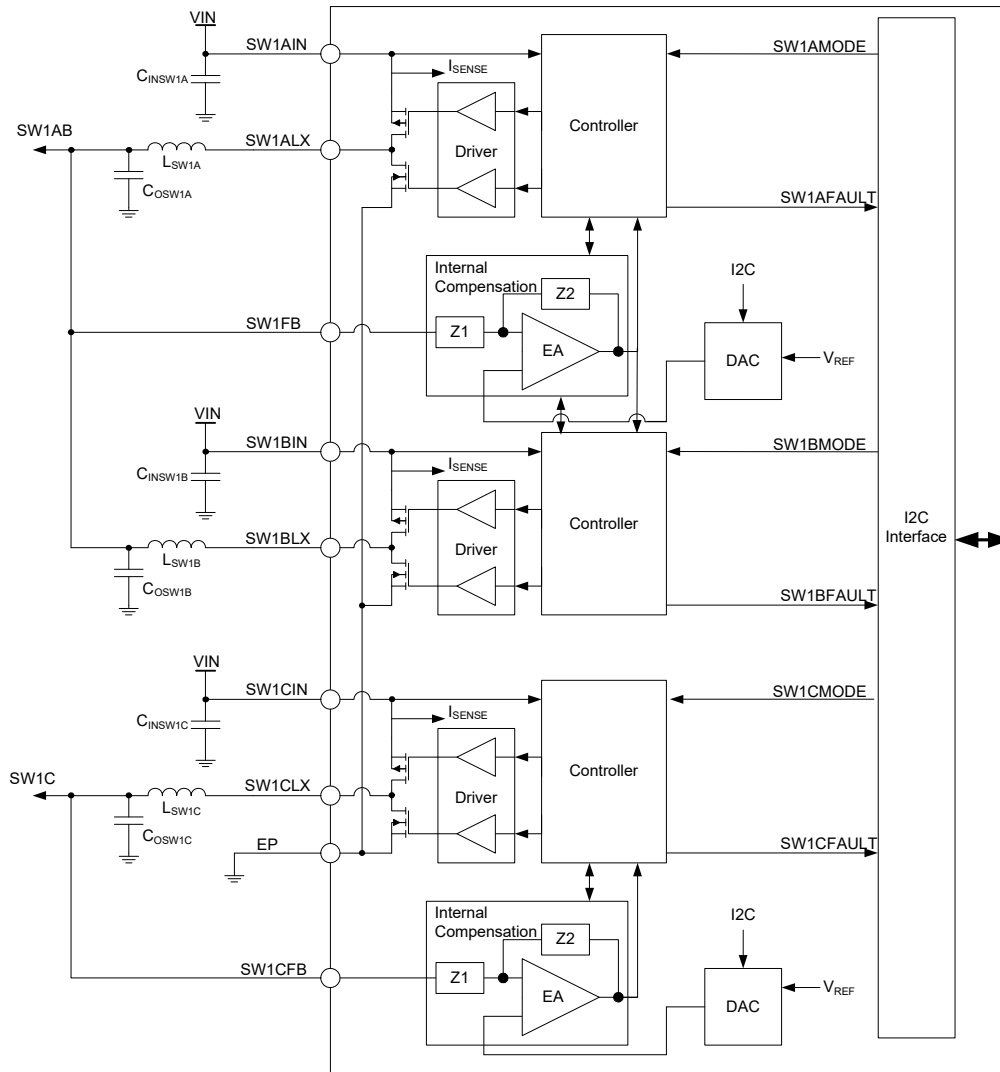


Figure 13. SW1A/B dual phase, SW1C independent mode block diagram

In this mode of operation, SW1ALX and SW1BLX nodes operate automatically at 180° phase shift from each other and use the same frequency and DVS configured by SW1ABCONF register, while SW1CLX node operate independently using the configuration in the SW1CCONF register.

#### 6.4.4.3.4 SW1A/B/C setup and control registers

SW1A/B and SW1C output voltages are programmable from 0.300 V to 1.875 V in steps of 25 mV. The output voltage set point is independently programmed for normal, standby, and sleep mode by setting the SW1x[5:0], SW1xSTBY[5:0], and SW1xOFF[5:0] bits respectively. Table 41 shows the output voltage coding for SW1A/B or SW1C.

**Note:** Voltage set points of 0.6 V and below are not supported.

Table 41. SW1A/B/C output voltage configuration

| Set point | SW1x[5:0]<br>SW1xSTBY[5:0]<br>SW1xOFF[5:0] | SW1x output (V) | Set point | SW1x[5:0]<br>SW1xSTBY[5:0]<br>SW1xOFF[5:0] | SW1x output (V) |
|-----------|--|-----------------|-----------|--|-----------------|
| 0         | 000000                                     | 0.3000          | 32        | 100000                                     | 1.1000          |
| 1         | 000001                                     | 0.3250          | 33        | 100001                                     | 1.1250          |
| 2         | 000010                                     | 0.3500          | 34        | 100010                                     | 1.1500          |
| 3         | 000011                                     | 0.3750          | 35        | 100011                                     | 1.1750          |
| 4         | 000100                                     | 0.4000          | 36        | 100100                                     | 1.2000          |
| 5         | 000101                                     | 0.4250          | 37        | 100101                                     | 1.2250          |
| 6         | 000110                                     | 0.4500          | 38        | 100110                                     | 1.2500          |
| 7         | 000111                                     | 0.4750          | 39        | 100111                                     | 1.2750          |
| 8         | 001000                                     | 0.5000          | 40        | 101000                                     | 1.3000          |
| 9         | 001001                                     | 0.5250          | 41        | 101001                                     | 1.3250          |
| 10        | 001010                                     | 0.5500          | 42        | 101010                                     | 1.3500          |
| 11        | 001011                                     | 0.5750          | 43        | 101011                                     | 1.3750          |
| 12        | 001100                                     | 0.6000          | 44        | 101100                                     | 1.4000          |
| 13        | 001101                                     | 0.6250          | 45        | 101101                                     | 1.4250          |
| 14        | 001110                                     | 0.6500          | 46        | 101110                                     | 1.4500          |
| 15        | 001111                                     | 0.6750          | 47        | 101111                                     | 1.4750          |
| 16        | 010000                                     | 0.7000          | 48        | 110000                                     | 1.5000          |
| 17        | 010001                                     | 0.7250          | 49        | 110001                                     | 1.5250          |
| 18        | 010010                                     | 0.7500          | 50        | 110010                                     | 1.5500          |
| 19        | 010011                                     | 0.7750          | 51        | 110011                                     | 1.5750          |
| 20        | 010100                                     | 0.8000          | 52        | 110100                                     | 1.6000          |
| 21        | 010101                                     | 0.8250          | 53        | 110101                                     | 1.6250          |
| 22        | 010110                                     | 0.8500          | 54        | 110110                                     | 1.6500          |
| 23        | 010111                                     | 0.8750          | 55        | 110111                                     | 1.6750          |
| 24        | 011000                                     | 0.9000          | 56        | 111000                                     | 1.7000          |
| 25        | 011001                                     | 0.9250          | 57        | 111001                                     | 1.7250          |
| 26        | 011010                                     | 0.9500          | 58        | 111010                                     | 1.7500          |
| 27        | 011011                                     | 0.9750          | 59        | 111011                                     | 1.7750          |
| 28        | 011100                                     | 1.0000          | 60        | 111100                                     | 1.8000          |
| 29        | 011101                                     | 1.0250          | 61        | 111101                                     | 1.8250          |
| 30        | 011110                                     | 1.0500          | 62        | 111110                                     | 1.8500          |
| 31        | 011111                                     | 1.0750          | 63        | 111111                                     | 1.8750          |

Table 42 provides a list of registers used to configure and operate SW1A/B/C and a detailed description on each one of these register is provided in Table 43 through Table 52.

**Table 42. SW1A/B/C register summary**

| Register  | Address | Output   |
|-----------|---------|--|
| SW1ABVOLT | 0x20    | SW1AB output voltage set point in normal operation |
| SW1ABSTBY | 0x21    | SW1AB output voltage set point on standby          |
| SW1ABOFF  | 0x22    | SW1AB output voltage set point on sleep            |
| SW1ABMODE | 0x23    | SW1AB switching mode selector register             |
| SW1ABCONF | 0x24    | SW1AB DVS, phase, frequency and ILIM configuration |
| SW1CVOLT  | 0x2E    | SW1C output voltage set point in normal operation  |
| SW1CSTBY  | 0x2F    | SW1C output voltage set point in standby           |
| SW1COFF   | 0x30    | SW1C output voltage set point in sleep             |
| SW1CMODE  | 0x31    | SW1C switching mode selector register              |
| SW1CCONF  | 0x32    | SW1C DVS, phase, frequency and ILIM configuration  |

**Table 43. Register SW1ABVOLT - ADDR 0x20**

| Name   | Bit # | R/W | Default | Description   |
|--------|-------|-----|---------|---|
| SW1AB  | 5:0   | R/W | 0x00    | Sets the SW1AB output voltage during normal operation mode. See Table 41 for all possible configurations. |
| UNUSED | 7:6   | –   | 0x00    | unused  |

**Table 44. Register SW1ABSTBY - ADDR 0x21**

| Name      | Bit # | R/W | Default | Description  |
|-----------|-------|-----|---------|--|
| SW1ABSTBY | 5:0   | R/W | 0x00    | Sets the SW1AB output voltage during standby mode. See Table 41 for all possible configurations. |
| UNUSED    | 7:6   | –   | 0x00    | unused   |

**Table 45. Register SW1ABOFF - ADDR 0x22**

| Name     | Bit # | R/W | Default | Description  |
|----------|-------|-----|---------|--|
| SW1ABOFF | 5:0   | R/W | 0x00    | Sets the SW1AB output voltage during sleep mode. See Table 41 for all possible configurations. |
| UNUSED   | 7:6   | –   | 0x00    | unused   |

**Table 46. Register SW1ABMODE - ADDR 0x23**

| Name       | Bit # | R/W | Default | Description   |
|------------|-------|-----|---------|---|
| SW1ABMODE  | 3:0   | R/W | 0x08    | Sets the SW1AB switching operation mode. See <a href="#">Table 31</a> for all possible configurations.                |
| UNUSED     | 4     | –   | 0x00    | unused  |
| SW1ABOMODE | 5     | R/W | 0x00    | Set status of SW1AB when in sleep mode <ul style="list-style-type: none"> <li>• 0 = OFF</li> <li>• 1 = PFM</li> </ul> |
| UNUSED     | 7:6   | –   | 0x00    | unused  |

**Table 47. Register SW1ABCONF - ADDR 0x24**

| Name          | Bit # | R/W | Default | Description   |
|---------------|-------|-----|---------|---|
| SW1ABILIM     | 0     | R/W | 0x00    | SW1AB current limit level selection <ul style="list-style-type: none"> <li>• 0 = High level current limit</li> <li>• 1 = Low level current limit</li> </ul> |
| UNUSED        | 1     | R/W | 0x00    | unused  |
| SW1ABFREQ     | 3:2   | R/W | 0x00    | SW1A/B switching frequency selector. See <a href="#">Table 38</a> .   |
| SW1ABPHASE    | 5:4   | R/W | 0x00    | SW1A/B phase clock selection. See <a href="#">Table 36</a> .  |
| SW1ABDVSSPEED | 7:6   | R/W | 0x00    | SW1A/B DVS speed selection. See <a href="#">Table 34</a> .  |

**Table 48. Register SW1CVOLT - ADDR 0x2E**

| Name   | Bit # | R/W | Default | Description  |
|--------|-------|-----|---------|--|
| SW1C   | 5:0   | R/W | 0x00    | Sets the SW1C output voltage during normal operation mode. See <a href="#">Table 41</a> for all possible configurations. |
| UNUSED | 7:6   | –   | 0x00    | unused   |

**Table 49. Register SW1CSTBY - ADDR 0x2F**

| Name     | Bit # | R/W | Default | Description   |
|----------|-------|-----|---------|---|
| SW1CSTBY | 5:0   | R/W | 0x00    | Sets the SW1C output voltage during standby mode. See <a href="#">Table 41</a> for all possible configurations. |
| UNUSED   | 7:6   | –   | 0x00    | unused  |

**Table 50. Register SW1COFF - ADDR 0x30**

| Name    | Bit # | R/W | Default | Description   |
|---------|-------|-----|---------|---|
| SW1COFF | 5:0   | R/W | 0x00    | Sets the SW1C output voltage during sleep mode. See <a href="#">Table 41</a> for all possible configurations. |
| UNUSED  | 7:6   | –   | 0x00    | unused  |

**Table 51. Register SW1CMODE - ADDR 0x31**

| Name      | Bit # | R/W | Default | Description  |
|-----------|-------|-----|---------|--|
| SW1CMODE  | 3:0   | R/W | 0x08    | Sets the SW1C switching operation mode. See <a href="#">Table 30</a> for all possible configurations.                |
| UNUSED    | 4     | –   | 0x00    | unused   |
| SW1COMODE | 5     | R/W | 0x00    | Set status of SW1C when in sleep mode <ul style="list-style-type: none"> <li>• 0 = OFF</li> <li>• 1 = PFM</li> </ul> |
| UNUSED    | 7:6   | –   | 0x00    | unused   |

**Table 52. Register SW1CCONF - ADDR 0x32**

| Name         | Bit # | R/W | Default | Description  |
|--------------|-------|-----|---------|--|
| SW1CILIM     | 0     | R/W | 0x00    | SW1C current limit level selection <ul style="list-style-type: none"> <li>• 0 = High level current limit</li> <li>• 1 = Low level current limit</li> </ul> |
| UNUSED       | 1     | R/W | 0x00    | unused   |
| SW1CFREQ     | 3:2   | R/W | 0x00    | SW1C switching frequency selector. See <a href="#">Table 38</a> .  |
| SW1CPHASE    | 5:4   | R/W | 0x00    | SW1C phase clock selection. See <a href="#">Table 36</a> .   |
| SW1CDVSSPEED | 7:6   | R/W | 0x00    | SW1C DVS speed selection. See <a href="#">Table 34</a> .   |

#### 6.4.4.3.5 SW1A/B/C external components

**Table 53. SW1A/B/C external component recommendations**

| Components                          | Description                     | Mode               |                                 |                               |
|-------------------------------------|---------------------------------|--------------------|---------------------------------|-------------------------------|
|                                     |                                 | A/B/C single phase | A/B Single - C independent mode | A/B Dual - C independent mode |
| C <sub>INSW1A</sub> <sup>(44)</sup> | SW1A input capacitor            | 4.7 $\mu$ F        | 4.7 $\mu$ F                     | 4.7 $\mu$ F                   |
| C <sub>IN1AHF</sub> <sup>(44)</sup> | SW1A decoupling input capacitor | 0.1 $\mu$ F        | 0.1 $\mu$ F                     | 0.1 $\mu$ F                   |
| C <sub>INSW1B</sub> <sup>(44)</sup> | SW1B input capacitor            | 4.7 $\mu$ F        | 4.7 $\mu$ F                     | 4.7 $\mu$ F                   |
| C <sub>IN1BHF</sub> <sup>(44)</sup> | SW1B decoupling input capacitor | 0.1 $\mu$ F        | 0.1 $\mu$ F                     | 0.1 $\mu$ F                   |
| C <sub>INSW1C</sub> <sup>(44)</sup> | SW1C input capacitor            | 4.7 $\mu$ F        | 4.7 $\mu$ F                     | 4.7 $\mu$ F                   |
| C <sub>IN1CHF</sub> <sup>(44)</sup> | SW1C decoupling input capacitor | 0.1 $\mu$ F        | 0.1 $\mu$ F                     | 0.1 $\mu$ F                   |
| C <sub>OSW1AB</sub> <sup>(44)</sup> | SW1A/B output capacitor         | 6 x 22 $\mu$ F     | 2 x 22 $\mu$ F                  | 4 x 22 $\mu$ F                |
| C <sub>OSW1C</sub> <sup>(44)</sup>  | SW1C output capacitor           | –                  | 3 x 22 $\mu$ F                  | 3 x 22 $\mu$ F                |
| L <sub>SW1A</sub>                   | SW1A inductor                   | 1.0 $\mu$ H        | 1.0 $\mu$ H                     | 1.0 $\mu$ H                   |
| L <sub>SW1B</sub>                   | SW1B inductor                   | –                  | –                               | 1.0 $\mu$ H                   |
| L <sub>SW1C</sub>                   | SW1C inductor                   | –                  | 1.0 $\mu$ H                     | 1.0 $\mu$ H                   |

## Notes

44. Use X5R or X7R capacitors.

### 6.4.4.3.6 SW1A/B/C specifications

**Table 54. SW1A/B/C electrical characteristics**

All parameters are specified at  $T_{MIN}$  to  $T_{MAX}$  (See Table 3),  $V_{IN} = V_{IN_{SW1x}} = 3.6\text{ V}$ ,  $V_{SW1x} = 1.2\text{ V}$ ,  $I_{SW1x} = 100\text{ mA}$ ,  $SW1x\_PWRSTG[2:0] = [111]$ , typical external component values,  $f_{SW1x} = 2.0\text{ MHz}$ , unless otherwise noted. Typical values are characterized at  $V_{IN} = V_{IN_{SW1x}} = 3.6\text{ V}$ ,  $V_{SW1x} = 1.2\text{ V}$ ,  $I_{SW1x} = 100\text{ mA}$ ,  $SW1x\_PWRSTG[2:0] = [111]$ , and  $25\text{ }^{\circ}\text{C}$ , unless otherwise noted.

| Symbol  | Parameter   | Min.                       | Typ.                             | Max.                       | Unit          | Notes |
|---|---|----------------------------|----------------------------------|----------------------------|---------------|-------|
| <b>SW1A/B/C (single phase)</b>                        |   |                            |                                  |                            |               |       |
| $V_{IN_{SW1A}}$<br>$V_{IN_{SW1B}}$<br>$V_{IN_{SW1C}}$ | Operating input voltage   | 2.8                        | –                                | 4.5                        | V             |       |
| $V_{SW1ABC}$  | Nominal output voltage  | –                          | Table 41                         | –                          | V             |       |
| $V_{SW1ABCACC}$                                       | Output voltage accuracy<br><ul style="list-style-type: none"> <li>PWM, APS, <math>2.8\text{ V} &lt; V_{IN} &lt; 4.5\text{ V}</math>, <math>0 &lt; I_{SW1ABC} &lt; 4.5\text{ A}</math> <ul style="list-style-type: none"> <li><math>0.625\text{ V} \leq V_{SW1ABC} \leq 1.450\text{ V}</math></li> <li><math>1.475\text{ V} \leq V_{SW1ABC} \leq 1.875\text{ V}</math></li> </ul> </li> <li>PFM, steady state, <math>2.8\text{ V} &lt; V_{IN} &lt; 4.5\text{ V}</math>, <math>0 &lt; I_{SW1ABC} &lt; 150\text{ mA}</math> <ul style="list-style-type: none"> <li><math>0.625\text{ V} &lt; V_{SW1ABC} &lt; 0.675\text{ V}</math></li> <li><math>0.7\text{ V} &lt; V_{SW1ABC} &lt; 0.85\text{ V}</math></li> <li><math>0.875\text{ V} &lt; V_{SW1ABC} &lt; 1.875\text{ V}</math></li> </ul> </li> </ul> | –25<br>–3.0%               | –<br>–                           | 25<br>3.0%                 | mV<br>%       |       |
| $I_{SW1ABC}$  | Rated output load current,<br><ul style="list-style-type: none"> <li><math>2.8\text{ V} &lt; V_{IN} &lt; 4.5\text{ V}</math>, <math>0.625\text{ V} &lt; V_{SW1ABC} &lt; 1.875\text{ V}</math></li> </ul>  | –                          | –                                | 4500                       | mA            |       |
| $I_{SW1ABCLIM}$                                       | Current limiter peak current detection<br><ul style="list-style-type: none"> <li>Current through inductor <ul style="list-style-type: none"> <li><math>SW1ABILIM = 0</math></li> <li><math>SW1ABILIM = 1</math></li> </ul> </li> </ul>  | 7.1<br>5.3                 | 10.5<br>7.9                      | 13.7<br>10.3               | A             |       |
| $V_{SW1ABCOSH}$                                       | Start-up overshoot<br><ul style="list-style-type: none"> <li><math>I_{SW1ABC} = 0\text{ mA}</math></li> <li>DVS clk = <math>25\text{ mV}/4\text{ }\mu\text{s}</math>, <math>V_{IN} = V_{IN_{SW1x}} = 4.5\text{ V}</math>, <math>V_{SW1ABC} = 1.875\text{ V}</math></li> </ul>   | –                          | –                                | 66                         | mV            |       |
| $t_{ON_{SW1ABC}}$                                     | Turn-on time<br><ul style="list-style-type: none"> <li>Enable to 90% of end value</li> <li><math>I_{SW1x} = 0\text{ mA}</math></li> <li>DVS clk = <math>25\text{ mV}/4.0\text{ }\mu\text{s}</math>, <math>V_{IN} = V_{IN_{SW1x}} = 4.5\text{ V}</math>, <math>V_{SW1ABC} = 1.875\text{ V}</math></li> </ul>   | –                          | –                                | 500                        | $\mu\text{s}$ |       |
| $f_{SW1ABC}$  | Switching frequency<br><ul style="list-style-type: none"> <li><math>SW1xFREQ[1:0] = 00</math></li> <li><math>SW1xFREQ[1:0] = 01</math></li> <li><math>SW1xFREQ[1:0] = 10</math></li> </ul>  | –<br>–<br>–                | 1.0<br>2.0<br>4.0                | –<br>–<br>–                | MHz           |       |
| $\eta_{SW1ABC}$                                       | Efficiency<br><ul style="list-style-type: none"> <li><math>V_{IN} = 3.6\text{ V}</math>, <math>f_{SW1ABC} = 2.0\text{ MHz}</math>, <math>L_{SW1ABC} = 1.0\text{ }\mu\text{H}</math> <ul style="list-style-type: none"> <li>PFM, <math>0.9\text{ V}</math>, <math>1.0\text{ mA}</math></li> <li>PFM, <math>1.2\text{ V}</math>, <math>50\text{ mA}</math></li> <li>APS, PWM, <math>1.2\text{ V}</math>, <math>850\text{ mA}</math></li> <li>APS, PWM, <math>1.2\text{ V}</math>, <math>1275\text{ mA}</math></li> <li>APS, PWM, <math>1.2\text{ V}</math>, <math>2125\text{ mA}</math></li> <li>APS, PWM, <math>1.2\text{ V}</math>, <math>4500\text{ mA}</math></li> </ul> </li> </ul>  | –<br>–<br>–<br>–<br>–<br>– | 77<br>82<br>86<br>84<br>80<br>68 | –<br>–<br>–<br>–<br>–<br>– | %             |       |
| $\Delta V_{SW1ABC}$                                   | Output ripple   | –                          | 10                               | –                          | mV            |       |
| $V_{SW1ABCLIR}$                                       | Line regulation (APS, PWM)  | –                          | –                                | 20                         | mV            |       |
| $V_{SW1ABCLOR}$                                       | DC load regulation (APS, PWM)   | –                          | –                                | 20                         | mV            |       |

**Table 54. SW1A/B/C electrical characteristics (continued)**

All parameters are specified at  $T_{MIN}$  to  $T_{MAX}$  (See Table 3),  $V_{IN} = V_{IN_{SW1x}} = 3.6\text{ V}$ ,  $V_{SW1x} = 1.2\text{ V}$ ,  $I_{SW1x} = 100\text{ mA}$ ,  $SW1x\_PWRSTG[2:0] = [111]$ , typical external component values,  $f_{SW1x} = 2.0\text{ MHz}$ , unless otherwise noted. Typical values are characterized at  $V_{IN} = V_{IN_{SW1x}} = 3.6\text{ V}$ ,  $V_{SW1x} = 1.2\text{ V}$ ,  $I_{SW1x} = 100\text{ mA}$ ,  $SW1x\_PWRSTG[2:0] = [111]$ , and  $25\text{ }^\circ\text{C}$ , unless otherwise noted.

| Symbol                                     | Parameter   | Min.         | Typ.              | Max.       | Unit    | Notes |
|--|---|--------------|-------------------|------------|---------|-------|
| <b>SW1A/B/C (single phase) (continued)</b> |   |              |                   |            |         |       |
| $V_{SW1ABCLOTR}$                           | Transient load regulation <ul style="list-style-type: none"> <li>Transient load = 0 to 2.25 A, di/dt = 100 mA/μs <ul style="list-style-type: none"> <li>Overshoot</li> <li>Undershoot</li> </ul> </li> </ul>  | –            | –                 | 50         | mV      |       |
| $I_{SW1ABCQ}$                              | Quiescent current <ul style="list-style-type: none"> <li>PFM Mode</li> <li>APS Mode</li> </ul>  | –            | 18                | –          | μA      |       |
| $R_{SW1ABCDIS}$                            | Discharge resistance  | –            | 600               | –          | Ω       |       |
| <b>SW1A/B (single/dual phase)</b>          |   |              |                   |            |         |       |
| $V_{IN_{SW1A}}$<br>$V_{IN_{SW1B}}$         | Operating input voltage   | 2.8          | –                 | 4.5        | V       |       |
| $V_{SW1AB}$                                | Nominal output voltage  | –            | Table 41          | –          | V       |       |
| $V_{SW1ABACC}$                             | Output voltage accuracy <ul style="list-style-type: none"> <li>PWM, APS, <math>2.8\text{ V} &lt; V_{IN} &lt; 4.5\text{ V}</math>, <math>0 &lt; I_{SW1AB} &lt; 2.5\text{ A}</math> <ul style="list-style-type: none"> <li><math>0.625\text{ V} \leq V_{SW1AB} \leq 1.450\text{ V}</math></li> <li><math>1.475\text{ V} \leq V_{SW1AB} \leq 1.875\text{ V}</math></li> </ul> </li> <li>PFM, steady state, <math>2.8\text{ V} &lt; V_{IN} &lt; 4.5\text{ V}</math>, <math>0 &lt; I_{SW1AB} &lt; 150\text{ mA}</math> <ul style="list-style-type: none"> <li><math>0.625\text{ V} &lt; V_{SW1AB} &lt; 0.675\text{ V}</math></li> <li><math>0.7\text{ V} &lt; V_{SW1AB} &lt; 0.85\text{ V}</math></li> <li><math>0.875\text{ V} &lt; V_{SW1AB} &lt; 1.875\text{ V}</math></li> </ul> </li> </ul> | -25<br>-3.0% | -<br>-            | 25<br>3.0% | mV<br>% |       |
| $I_{SW1AB}$                                | Rated output load current, <ul style="list-style-type: none"> <li><math>2.8\text{ V} &lt; V_{IN} &lt; 4.5\text{ V}</math>, <math>0.625\text{ V} &lt; V_{SW1AB} &lt; 1.875\text{ V}</math></li> </ul>  | –            | –                 | 2500       | mA      | (46)  |
| $I_{SW1ABLIM}$                             | Current limiter peak current detection <ul style="list-style-type: none"> <li>SW1A/B single phase (current through inductor) <ul style="list-style-type: none"> <li>SW1ABILIM = 0</li> <li>SW1ABILIM = 1</li> </ul> </li> <li>SW1A/B dual phase (current through inductor per phase) <ul style="list-style-type: none"> <li>SW1ABILIM = 0</li> <li>SW1ABILIM = 1</li> </ul> </li> </ul>   | 4.5<br>3.3   | 6.5<br>4.9        | 8.5<br>6.4 | A       | (46)  |
| $V_{SW1ABOSH}$                             | Start-up overshoot <ul style="list-style-type: none"> <li><math>I_{SW1AB} = 0.0\text{ mA}</math></li> <li>DVS clk = 25 mV/4 μs, <math>V_{IN} = V_{IN_{SW1x}} = 4.5\text{ V}</math>, <math>V_{SW1AB} = 1.875\text{ V}</math></li> </ul>  | –            | –                 | 66         | mV      |       |
| $t_{ON_{SW1AB}}$                           | Turn-on time <ul style="list-style-type: none"> <li>Enable to 90% of end value</li> <li><math>I_{SW1AB} = 0.0\text{ mA}</math></li> <li>DVS clk = 25 mV/4 μs, <math>V_{IN} = V_{IN_{SW1x}} = 4.5\text{ V}</math>, <math>V_{SW1AB} = 1.875\text{ V}</math></li> </ul>  | –            | –                 | 500        | μs      |       |
| $f_{SW1AB}$                                | Switching frequency <ul style="list-style-type: none"> <li>SW1ABFREQ[1:0] = 00</li> <li>SW1ABFREQ[1:0] = 01</li> <li>SW1ABFREQ[1:0] = 10</li> </ul>   | –            | 1.0<br>2.0<br>4.0 | –          | MHz     |       |

**Table 54. SW1A/B/C electrical characteristics (continued)**

All parameters are specified at  $T_{MIN}$  to  $T_{MAX}$  (See Table 3),  $V_{IN} = V_{IN_{SW1x}} = 3.6\text{ V}$ ,  $V_{SW1x} = 1.2\text{ V}$ ,  $I_{SW1x} = 100\text{ mA}$ ,  $SW1x\_PWRSTG[2:0] = [111]$ , typical external component values,  $f_{SW1x} = 2.0\text{ MHz}$ , unless otherwise noted. Typical values are characterized at  $V_{IN} = V_{IN_{SW1x}} = 3.6\text{ V}$ ,  $V_{SW1x} = 1.2\text{ V}$ ,  $I_{SW1x} = 100\text{ mA}$ ,  $SW1x\_PWRSTG[2:0] = [111]$ , and  $25\text{ }^\circ\text{C}$ , unless otherwise noted.

| Symbol  | Parameter  | Min. | Typ. | Max. | Unit             | Notes |
|---|--|------|------|------|------------------|-------|
| <b>SW1A/B (single/dual phase) (continued)</b> |  |      |      |      |                  |       |
| $\eta_{SW1AB}$                                | Efficiency (single phase)<br><ul style="list-style-type: none"> <li>• <math>V_{IN} = 3.6\text{ V}</math>, <math>f_{SW1AB} = 2.0\text{ MHz}</math>, <math>L_{SW1AB} = 1.0\text{ }\mu\text{H}</math></li> <li>• PFM, <math>0.9\text{ V}</math>, <math>1.0\text{ mA}</math></li> <li>• PFM, <math>1.2\text{ V}</math>, <math>50\text{ mA}</math></li> <li>• APS, PWM, <math>1.2\text{ V}</math>, <math>500\text{ mA}</math></li> <li>• APS, PWM, <math>1.2\text{ V}</math>, <math>750\text{ mA}</math></li> <li>• APS, PWM, <math>1.2\text{ V}</math>, <math>1250\text{ mA}</math></li> <li>• APS, PWM, <math>1.2\text{ V}</math>, <math>2500\text{ mA}</math></li> </ul> | –    | 82   | –    | %                |       |
|   |  | –    | 84   | –    |                  |       |
|   |  | –    | 86   | –    |                  |       |
|   |  | –    | 87   | –    |                  |       |
|   |  | –    | 82   | –    |                  |       |
|   |  | –    | 71   | –    |                  |       |
|   |  | –    |      | –    |                  |       |
| $\Delta V_{SW1AB}$                            | Output ripple  | –    | 10   | –    | mV               |       |
| $V_{SW1ABLR}$                                 | Line regulation (APS, PWM)   | –    | –    | 20   | mV               |       |
| $V_{SW1ABLOR}$                                | DC load regulation (APS, PWM)  | –    | –    | 20   | mV               |       |
| $V_{SW1ABLOTR}$                               | Transient load regulation<br><ul style="list-style-type: none"> <li>• Transient load = 0 to <math>1.25\text{ A}</math>, <math>di/dt = 100\text{ mA}/\mu\text{s}</math></li> <li>• Overshoot</li> <li>• Undershoot</li> </ul>   | –    | –    | 50   | mV               |       |
|   |  | –    | –    | 50   |                  |       |
| $I_{SW1ABQ}$                                  | Quiescent current<br><ul style="list-style-type: none"> <li>• PFM mode</li> <li>• APS mode</li> </ul>  | –    | 18   | –    | $\mu\text{A}$    |       |
|   |  | –    | 235  | –    |                  |       |
| $R_{ONSW1AP}$                                 | SW1A P-MOSFET $R_{DS(on)}$<br><ul style="list-style-type: none"> <li>• <math>V_{IN_{SW1A}} = 3.3\text{ V}</math></li> </ul>  | –    | 215  | 245  | $\text{m}\Omega$ |       |
| $R_{ONSW1AN}$                                 | SW1A N-MOSFET $R_{DS(on)}$<br><ul style="list-style-type: none"> <li>• <math>V_{IN_{SW1A}} = 3.3\text{ V}</math></li> </ul>  | –    | 258  | 326  | $\text{m}\Omega$ |       |
| $I_{SW1APQ}$                                  | SW1A P-MOSFET leakage current<br><ul style="list-style-type: none"> <li>• <math>V_{IN_{SW1A}} = 4.5\text{ V}</math></li> </ul>   | –    | –    | 7.5  | $\mu\text{A}$    |       |
| $I_{SW1ANQ}$                                  | SW1A N-MOSFET leakage current<br><ul style="list-style-type: none"> <li>• <math>V_{IN_{SW1A}} = 4.5\text{ V}</math></li> </ul>   | –    | –    | 2.5  | $\mu\text{A}$    |       |
| $R_{ONSW1BP}$                                 | SW1B P-MOSFET $R_{DS(on)}$<br><ul style="list-style-type: none"> <li>• <math>V_{IN_{SW1B}} = 3.3\text{ V}</math></li> </ul>  | –    | 215  | 245  | $\text{m}\Omega$ |       |
| $R_{ONSW1BN}$                                 | SW1B N-MOSFET $R_{DS(on)}$<br><ul style="list-style-type: none"> <li>• <math>V_{IN_{SW1B}} = 3.3\text{ V}</math></li> </ul>  | –    | 258  | 326  | $\text{m}\Omega$ |       |
| $I_{SW1BPQ}$                                  | SW1B P-MOSFET leakage current<br><ul style="list-style-type: none"> <li>• <math>V_{IN_{SW1B}} = 4.5\text{ V}</math></li> </ul>   | –    | –    | 7.5  | $\mu\text{A}$    |       |
| $I_{SW1BNQ}$                                  | SW1B N-MOSFET leakage current<br><ul style="list-style-type: none"> <li>• <math>V_{IN_{SW1B}} = 4.5\text{ V}</math></li> </ul>   | –    | –    | 2.5  | $\mu\text{A}$    |       |
| $R_{SW1ABDIS}$                                | Discharge resistance   | –    | 600  | –    | $\Omega$         |       |

**Table 54. SW1A/B/C electrical characteristics (continued)**

All parameters are specified at  $T_{MIN}$  to  $T_{MAX}$  (See Table 3),  $V_{IN} = V_{IN_{SW1x}} = 3.6\text{ V}$ ,  $V_{SW1x} = 1.2\text{ V}$ ,  $I_{SW1x} = 100\text{ mA}$ ,  $SW1x\_PWRSTG[2:0] = [111]$ , typical external component values,  $f_{SW1x} = 2.0\text{ MHz}$ , unless otherwise noted. Typical values are characterized at  $V_{IN} = V_{IN_{SW1x}} = 3.6\text{ V}$ ,  $V_{SW1x} = 1.2\text{ V}$ ,  $I_{SW1x} = 100\text{ mA}$ ,  $SW1x\_PWRSTG[2:0] = [111]$ , and  $25\text{ }^\circ\text{C}$ , unless otherwise noted.

| Symbol                    | Parameter  | Min.                       | Typ.                             | Max.                       | Unit          | Notes     |
|---------------------------|--|----------------------------|----------------------------------|----------------------------|---------------|-----------|
| <b>SW1C (independent)</b> |  |                            |                                  |                            |               |           |
| $V_{IN_{SW1C}}$           | Operating input voltage  | 2.8                        | –                                | 4.5                        | V             |           |
| $V_{SW1C}$                | Nominal output voltage   | –                          | Table 41                         | –                          | V             |           |
| $V_{SW1CACC}$             | Output voltage accuracy <ul style="list-style-type: none"> <li>PWM, APS, <math>2.8\text{ V} &lt; V_{IN} &lt; 4.5\text{ V}</math>, <math>0 &lt; I_{SW1C} &lt; 2.0\text{ A}</math> <ul style="list-style-type: none"> <li><math>0.625\text{ V} \leq V_{SW1C} \leq 1.450\text{ V}</math></li> <li><math>1.475\text{ V} \leq V_{SW1C} \leq 1.875\text{ V}</math></li> </ul> </li> <li>PFM, steady state <math>2.8\text{ V} &lt; V_{IN} &lt; 4.5\text{ V}</math>, <math>0 &lt; I_{SW1C} &lt; 50\text{ mA}</math> <ul style="list-style-type: none"> <li><math>0.625\text{ V} &lt; V_{SW1C} &lt; 0.675\text{ V}</math></li> <li><math>0.7\text{ V} &lt; V_{SW1C} &lt; 0.85\text{ V}</math></li> <li><math>0.875\text{ V} &lt; V_{SW1C} &lt; 1.875\text{ V}</math></li> </ul> </li> </ul> | –25<br>–3.0%               | –<br>–                           | 25<br>3.0%                 | mV            |           |
| $I_{SW1C}$                | Rated output load current <ul style="list-style-type: none"> <li><math>2.8\text{ V} &lt; V_{IN} &lt; 4.5\text{ V}</math>, <math>0.625\text{ V} &lt; V_{SW1C} &lt; 1.875\text{ V}</math></li> </ul>   | –                          | –                                | 2000                       | mA            |           |
| $I_{SW1CLIM}$             | Current limiter peak current detection <ul style="list-style-type: none"> <li>Current through inductor <ul style="list-style-type: none"> <li><math>SW1CILIM = 0</math></li> <li><math>SW1CILIM = 1</math></li> </ul> </li> </ul>  | 2.6<br>1.95                | 4.0<br>3.0                       | 5.2<br>3.9                 | A             | (45)<br>– |
| $V_{SW1COSH}$             | Start-up overshoot <ul style="list-style-type: none"> <li><math>I_{SW1C} = 0\text{ mA}</math></li> <li>DVS clk = <math>25\text{ mV}/4\text{ }\mu\text{s}</math>, <math>V_{IN} = V_{IN_{SW1C}} = 4.5\text{ V}</math>, <math>V_{SW1C} = 1.875\text{ V}</math></li> </ul>   | –                          | –                                | 66                         | mV            |           |
| $t_{ON_{SW1C}}$           | Turn-on time <ul style="list-style-type: none"> <li>Enable to 90% of end value</li> <li><math>I_{SW1C} = 0\text{ mA}</math></li> <li>DVS clk = <math>25\text{ mV}/4\text{ }\mu\text{s}</math>, <math>V_{IN} = V_{IN_{SW1C}} = 4.5\text{ V}</math>, <math>V_{SW1C} = 1.875\text{ V}</math></li> </ul>   | –                          | –                                | 500                        | $\mu\text{s}$ |           |
| $f_{SW1C}$                | Switching frequency <ul style="list-style-type: none"> <li><math>SW1CFREQ[1:0] = 00</math></li> <li><math>SW1CFREQ[1:0] = 01</math></li> <li><math>SW1CFREQ[1:0] = 10</math></li> </ul>  | –<br>–<br>–                | 1.0<br>2.0<br>4.0                | –<br>–<br>–                | MHz           |           |
| $\eta_{SW1C}$             | Efficiency <ul style="list-style-type: none"> <li><math>V_{IN} = 3.6\text{ V}</math>, <math>f_{SW1C} = 2.0\text{ MHz}</math>, <math>L_{SW1C} = 1.0\text{ }\mu\text{H}</math> <ul style="list-style-type: none"> <li>PFM, <math>0.9\text{ V}</math>, <math>1.0\text{ mA}</math></li> <li>PFM, <math>1.2\text{ V}</math>, <math>50\text{ mA}</math></li> <li>APS, PWM, <math>1.2\text{ V}</math>, <math>400\text{ mA}</math></li> <li>APS, PWM, <math>1.2\text{ V}</math>, <math>600\text{ mA}</math></li> <li>APS, PWM, <math>1.2\text{ V}</math>, <math>1000\text{ mA}</math></li> <li>APS, PWM, <math>1.2\text{ V}</math>, <math>2000\text{ mA}</math></li> </ul> </li> </ul>   | –<br>–<br>–<br>–<br>–<br>– | 77<br>78<br>86<br>84<br>78<br>65 | –<br>–<br>–<br>–<br>–<br>– | %             |           |
| $\Delta V_{SW1C}$         | Output ripple  | –                          | 10                               | –                          | mV            |           |
| $V_{SW1CLIR}$             | Line regulation (APS, PWM)   | –                          | –                                | 20                         | mV            |           |
| $V_{SW1CLOR}$             | DC load regulation (APS, PWM)  | –                          | –                                | 20                         | mV            |           |
| $V_{SW1CLOTR}$            | Transient load regulation <ul style="list-style-type: none"> <li>Transient load = <math>0.0\text{ mA}</math> to <math>1.0\text{ A}</math>, <math>di/dt = 100\text{ mA}/\mu\text{s}</math> <ul style="list-style-type: none"> <li>Overshoot</li> <li>Undershoot</li> </ul> </li> </ul>  | –<br>–                     | –<br>–                           | 50<br>50                   | mV            |           |
| $I_{SW1CQ}$               | Quiescent current <ul style="list-style-type: none"> <li>PFM mode</li> <li>APS mode</li> </ul>   | –<br>–                     | 22<br>145                        | –<br>–                     | $\mu\text{A}$ |           |

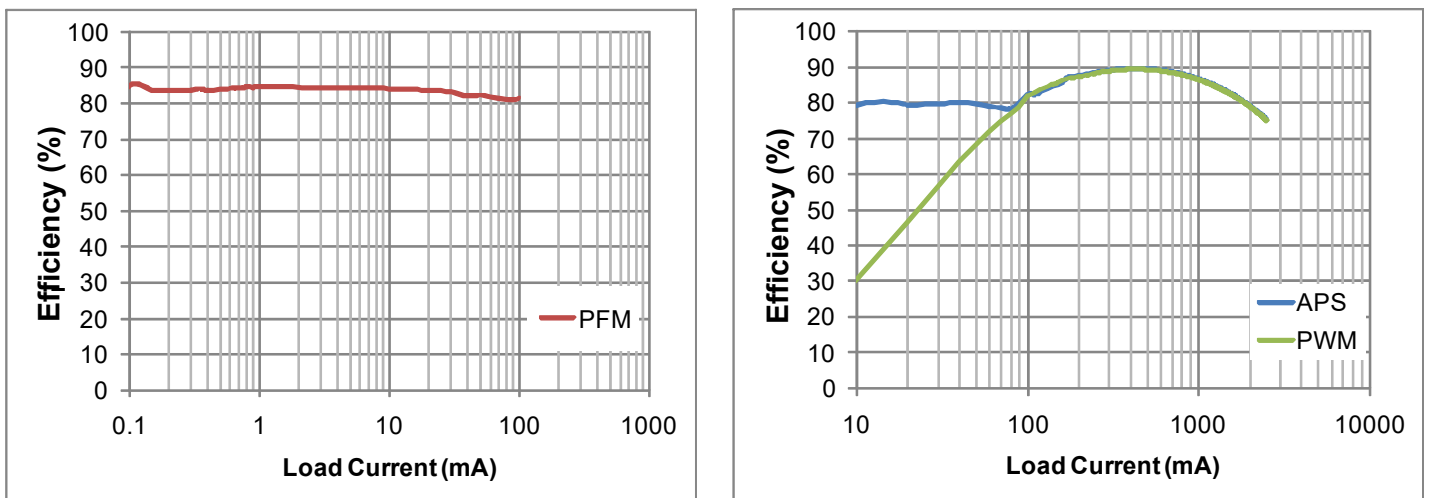
**Table 54. SW1A/B/C electrical characteristics (continued)**

All parameters are specified at  $T_{MIN}$  to  $T_{MAX}$  (See Table 3),  $V_{IN} = V_{IN_{SW1x}} = 3.6\text{ V}$ ,  $V_{SW1x} = 1.2\text{ V}$ ,  $I_{SW1x} = 100\text{ mA}$ ,  $SW1x\_PWRSTG[2:0] = [111]$ , typical external component values,  $f_{SW1x} = 2.0\text{ MHz}$ , unless otherwise noted. Typical values are characterized at  $V_{IN} = V_{IN_{SW1x}} = 3.6\text{ V}$ ,  $V_{SW1x} = 1.2\text{ V}$ ,  $I_{SW1x} = 100\text{ mA}$ ,  $SW1x\_PWRSTG[2:0] = [111]$ , and  $25\text{ }^\circ\text{C}$ , unless otherwise noted.

| Symbol                                | Parameter   | Min. | Typ. | Max. | Unit          | Notes |
|---------------------------------------|---|------|------|------|---------------|-------|
| <b>SW1C (independent) (continued)</b> |   |      |      |      |               |       |
| $R_{ON_{SW1CP}}$                      | SW1C P-MOSFET $R_{DS(on)}$<br>• at $V_{IN_{SW1C}} = 3.3\text{ V}$ | –    | 184  | 206  | m $\Omega$    |       |
| $R_{ON_{SW1CN}}$                      | SW1C N-MOSFET $R_{DS(on)}$<br>• at $V_{IN_{SW1C}} = 3.3\text{ V}$ | –    | 211  | 260  | m $\Omega$    |       |
| $I_{SW1CPQ}$                          | SW1C P-MOSFET leakage current<br>• $V_{IN_{SW1C}} = 4.5\text{ V}$ | –    | –    | 10.5 | $\mu\text{A}$ |       |
| $I_{SW1CNQ}$                          | SW1C N-MOSFET leakage current<br>• $V_{IN_{SW1C}} = 4.5\text{ V}$ | –    | –    | 3.5  | $\mu\text{A}$ |       |
| $R_{SW1CDIS}$                         | Discharge resistance  | –    | 600  | –    | $\Omega$      |       |

Notes

- 45. Meets 1.89 A current rating for VDDSOC\_IN domain on i.MX 6X processor.
- 46. Current rating of SW1AB supports the power virus mode of operation of the i.MX 6X processor.



**Figure 14. SW1AB efficiency waveforms:  $V_{IN} = 4.2\text{ V}$ ;  $V_{OUT} = 1.375\text{ V}$ ; consumer version**

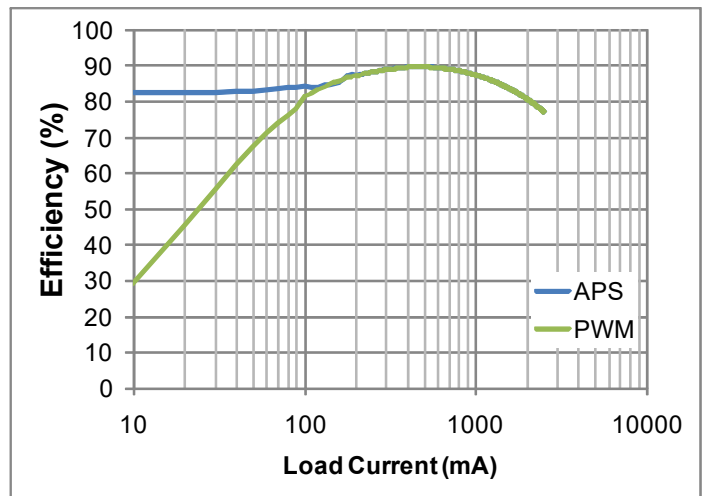
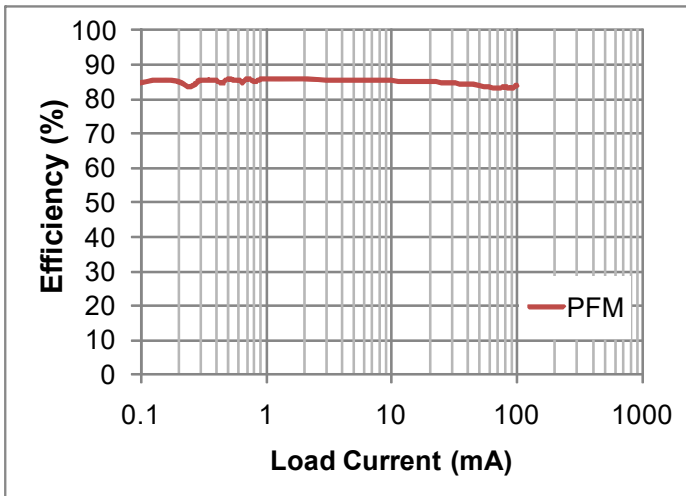


Figure 15. SW1AB efficiency waveforms:  $V_{IN} = 4.2\text{ V}$ ;  $V_{OUT} = 1.375\text{ V}$ ; extended industrial version

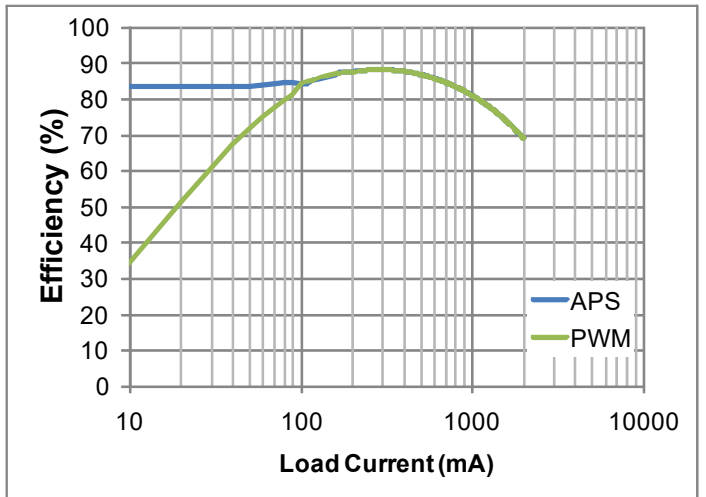
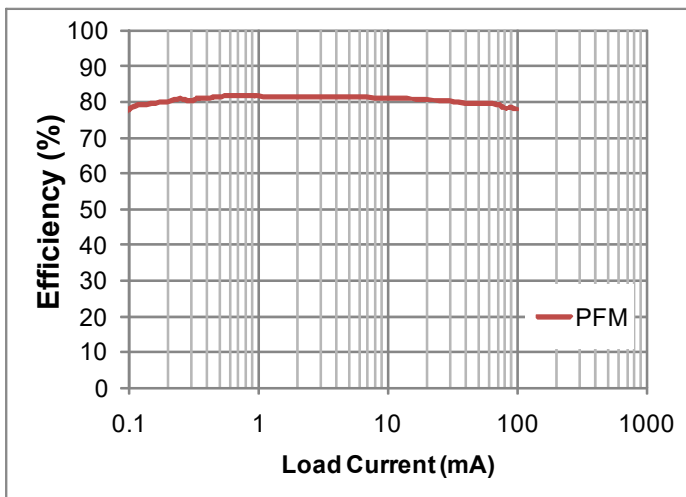


Figure 16. SW1C efficiency waveforms:  $V_{IN} = 4.2\text{ V}$ ;  $V_{OUT} = 1.375\text{ V}$ ; consumer version

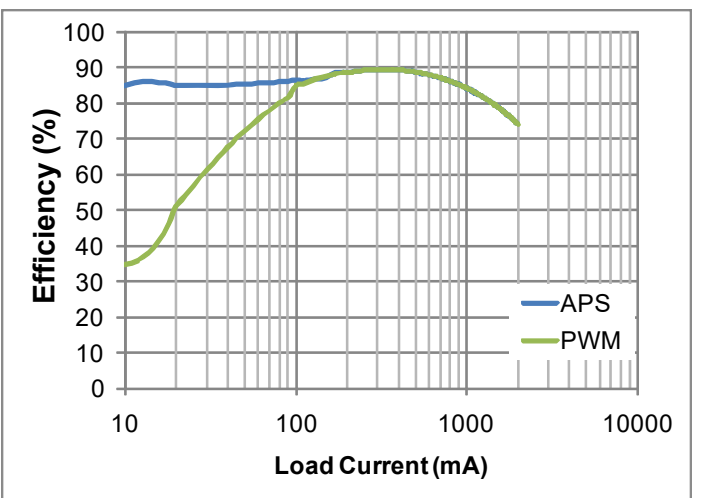
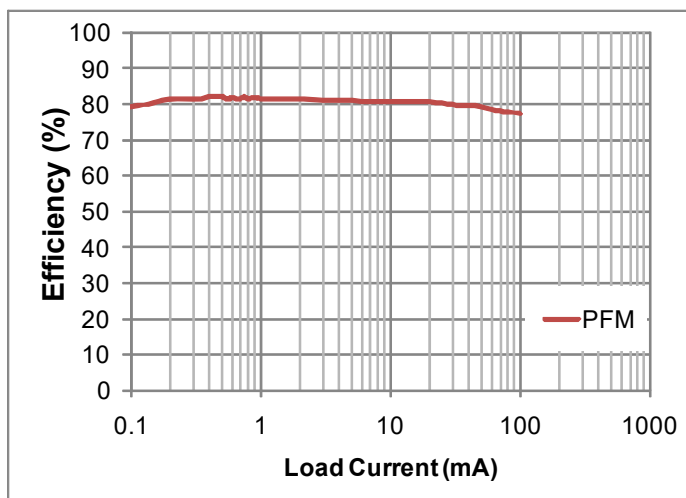


Figure 17. SW1C efficiency waveforms:  $V_{IN} = 4.2\text{ V}$ ;  $V_{OUT} = 1.375\text{ V}$ ; extended industrial version

### 6.4.4.4 SW2

SW2 is a single phase, 2.0 A rated buck regulator (2.5 A in NP, F9, and FA Industrial versions only (ANES suffix)). Table 30 describes the modes, and Table 31 show the options for the SWxMODE[3:0] bits. Figure 18 shows the block diagram and the external component connections for SW2 regulator.

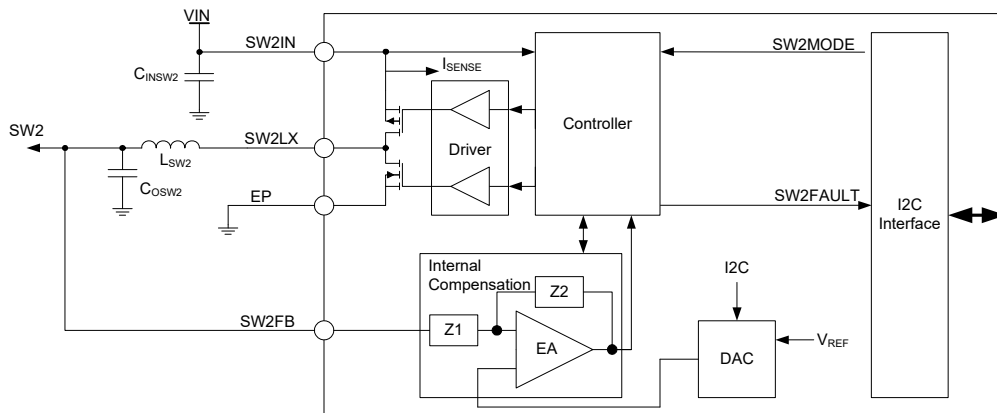


Figure 18. SW2 block diagram

#### 6.4.4.4.1 SW2 setup and control registers

SW2 output voltage is programmable from 0.400 V to 3.300 V; however, bit SW2[6] in register SW2VOLT is read-only during normal operation. Its value is determined by the default configuration, or may be changed by using the OTP registers. Therefore, once SW2[6] is set to “0”, the output is limited to the lower output voltages from 0.400 V to 1.975 V with 25 mV increments, as determined by bits SW2[5:0]. Likewise, once bit SW2[6] is set to “1”, the output voltage is limited to the higher output voltage range from 0.800 V to 3.300 V with 50 mV increments, as determined by bits SW2[5:0].

In order to optimize the performance of the regulator, it is recommended only voltages from 2.000 V to 3.300 V be used in the high range, and the lower range be used for voltages from 0.400 V to 1.975 V.

The output voltage set point is independently programmed for normal, standby, and sleep mode by setting the SW2[5:0], SW2STBY[5:0] and SW2OFF[5:0] bits, respectively. However, the initial state of bit SW2[6] are copied into bits SW2STBY[6], and SW2OFF[6] bits. Therefore, the output voltage range remains the same in all three operating modes. Table 55 shows the output voltage coding valid for SW2.

**Note:** Voltage set points of 0.6 V and below are not supported.

Table 55. SW2 output voltage configuration

| Low output voltage range <sup>(47)</sup> |          |            | High output voltage range |          |            |
|--|----------|------------|---------------------------|----------|------------|
| Set point                                | SW2[6:0] | SW2 output | Set point                 | SW2[6:0] | SW2 output |
| 0  | 0000000  | 0.4000     | 64                        | 1000000  | 0.8000     |
| 1  | 0000001  | 0.4250     | 65                        | 1000001  | 0.8500     |
| 2  | 0000010  | 0.4500     | 66                        | 1000010  | 0.9000     |
| 3  | 0000011  | 0.4750     | 67                        | 1000011  | 0.9500     |
| 4  | 0000100  | 0.5000     | 68                        | 1000100  | 1.0000     |
| 5  | 0000101  | 0.5250     | 69                        | 1000101  | 1.0500     |
| 6  | 0000110  | 0.5500     | 70                        | 1000110  | 1.1000     |
| 7  | 0000111  | 0.5750     | 71                        | 1000111  | 1.1500     |
| 8  | 0001000  | 0.6000     | 72                        | 1001000  | 1.2000     |
| 9  | 0001001  | 0.6250     | 73                        | 1001001  | 1.2500     |
| 10                                       | 0001010  | 0.6500     | 74                        | 1001010  | 1.3000     |
| 11                                       | 0001011  | 0.6750     | 75                        | 1001011  | 1.3500     |

Table 55. SW2 output voltage configuration (continued)

| Low output voltage range <sup>(47)</sup> |          |            | High output voltage range |          |            |
|--|----------|------------|---------------------------|----------|------------|
| Set point                                | SW2[6:0] | SW2 output | Set point                 | SW2[6:0] | SW2 output |
| 12                                       | 0001100  | 0.7000     | 76                        | 1001100  | 1.4000     |
| 13                                       | 0001101  | 0.7250     | 77                        | 1001101  | 1.4500     |
| 14                                       | 0001110  | 0.7500     | 78                        | 1001110  | 1.5000     |
| 15                                       | 0001111  | 0.7750     | 79                        | 1001111  | 1.5500     |
| 16                                       | 0010000  | 0.8000     | 80                        | 1010000  | 1.6000     |
| 17                                       | 0010001  | 0.8250     | 81                        | 1010001  | 1.6500     |
| 18                                       | 0010010  | 0.8500     | 82                        | 1010010  | 1.7000     |
| 19                                       | 0010011  | 0.8750     | 83                        | 1010011  | 1.7500     |
| 20                                       | 0010100  | 0.9000     | 84                        | 1010100  | 1.8000     |
| 21                                       | 0010101  | 0.9250     | 85                        | 1010101  | 1.8500     |
| 22                                       | 0010110  | 0.9500     | 86                        | 1010110  | 1.9000     |
| 23                                       | 0010111  | 0.9750     | 87                        | 1010111  | 1.9500     |
| 24                                       | 0011000  | 1.0000     | 88                        | 1011000  | 2.0000     |
| 25                                       | 0011001  | 1.0250     | 89                        | 1011001  | 2.0500     |
| 26                                       | 0011010  | 1.0500     | 90                        | 1011010  | 2.1000     |
| 27                                       | 0011011  | 1.0750     | 91                        | 1011011  | 2.1500     |
| 28                                       | 0011100  | 1.1000     | 92                        | 1011100  | 2.2000     |
| 29                                       | 0011101  | 1.1250     | 93                        | 1011101  | 2.2500     |
| 30                                       | 0011110  | 1.1500     | 94                        | 1011110  | 2.3000     |
| 31                                       | 0011111  | 1.1750     | 95                        | 1011111  | 2.3500     |
| 32                                       | 0100000  | 1.2000     | 96                        | 1100000  | 2.4000     |
| 33                                       | 0100001  | 1.2250     | 97                        | 1100001  | 2.4500     |
| 34                                       | 0100010  | 1.2500     | 98                        | 1100010  | 2.5000     |
| 35                                       | 0100011  | 1.2750     | 99                        | 1100011  | 2.5500     |
| 36                                       | 0100100  | 1.3000     | 100                       | 1100100  | 2.6000     |
| 37                                       | 0100101  | 1.3250     | 101                       | 1100101  | 2.6500     |
| 38                                       | 0100110  | 1.3500     | 102                       | 1100110  | 2.7000     |
| 39                                       | 0100111  | 1.3750     | 103                       | 1100111  | 2.7500     |
| 40                                       | 0101000  | 1.4000     | 104                       | 1101000  | 2.8000     |
| 41                                       | 0101001  | 1.4250     | 105                       | 1101001  | 2.8500     |
| 42                                       | 0101010  | 1.4500     | 106                       | 1101010  | 2.9000     |
| 43                                       | 0101011  | 1.4750     | 107                       | 1101011  | 2.9500     |
| 44                                       | 0101100  | 1.5000     | 108                       | 1101100  | 3.0000     |
| 45                                       | 0101101  | 1.5250     | 109                       | 1101101  | 3.0500     |
| 46                                       | 0101110  | 1.5500     | 110                       | 1101110  | 3.1000     |
| 47                                       | 0101111  | 1.5750     | 111                       | 1101111  | 3.1500     |
| 48                                       | 0110000  | 1.6000     | 112                       | 1110000  | 3.2000     |
| 49                                       | 0110001  | 1.6250     | 113                       | 1110001  | 3.2500     |

**Table 55. SW2 output voltage configuration (continued)**

| Low output voltage range <sup>(47)</sup> |          |            | High output voltage range |          |            |
|--|----------|------------|---------------------------|----------|------------|
| Set point                                | SW2[6:0] | SW2 output | Set point                 | SW2[6:0] | SW2 output |
| 50                                       | 0110010  | 1.6500     | 114                       | 1110010  | 3.3000     |
| 51                                       | 0110011  | 1.6750     | 115                       | 1110011  | Reserved   |
| 52                                       | 0110100  | 1.7000     | 116                       | 1110100  | Reserved   |
| 53                                       | 0110101  | 1.7250     | 117                       | 1110101  | Reserved   |
| 54                                       | 0110110  | 1.7500     | 118                       | 1110110  | Reserved   |
| 55                                       | 0110111  | 1.7750     | 119                       | 1110111  | Reserved   |
| 56                                       | 0111000  | 1.8000     | 120                       | 1111000  | Reserved   |
| 57                                       | 0111001  | 1.8250     | 121                       | 1111001  | Reserved   |
| 58                                       | 0111010  | 1.8500     | 122                       | 1111010  | Reserved   |
| 59                                       | 0111011  | 1.8750     | 123                       | 1111011  | Reserved   |
| 60                                       | 0111100  | 1.9000     | 124                       | 1111100  | Reserved   |
| 61                                       | 0111101  | 1.9250     | 125                       | 1111101  | Reserved   |
| 62                                       | 0111110  | 1.9500     | 126                       | 1111110  | Reserved   |
| 63                                       | 0111111  | 1.9750     | 127                       | 1111111  | Reserved   |

## Notes

47. For voltages less than 2.0 V, only use set points 0 to 63.

Setup and control of SW2 is done through I<sup>2</sup>C registers listed in [Table 56](#), and a detailed description of each one of the registers is provided in [Tables 57](#) to [Table 61](#).

**Table 56. SW2 register summary**

| Register | Address | Description                                   |
|----------|---------|---|
| SW2VOLT  | 0x35    | Output voltage set point on normal operation  |
| SW2STBY  | 0x36    | Output voltage set point on standby           |
| SW2OFF   | 0x37    | Output voltage set point on sleep             |
| SW2MODE  | 0x38    | Switching mode selector register              |
| SW2CONF  | 0x39    | DVS, phase, frequency, and ILIM configuration |

**Table 57. Register SW2VOLT - ADDR 0x35**

| Name   | Bit # | R/W | Default | Description  |
|--------|-------|-----|---------|--|
| SW2    | 5:0   | R/W | 0x00    | Sets the SW2 output voltage during normal operation mode. See <a href="#">Table 55</a> for all possible configurations.                                  |
| SW2    | 6     | R   | 0x00    | Sets the operating output voltage range for SW2. Set during OTP or TBB configuration only. See <a href="#">Table 55</a> for all possible configurations. |
| UNUSED | 7     | –   | 0x00    | unused   |

**Table 58. Register SW2STBY - ADDR 0x36**

| Name    | Bit # | R/W | Default | Description  |
|---------|-------|-----|---------|--|
| SW2STBY | 5:0   | R/W | 0x00    | Sets the SW2 output voltage during standby mode. See <a href="#">Table 55</a> for all possible configurations.   |
| SW2STBY | 6     | R   | 0x00    | Sets the operating output voltage range for SW2 on standby mode. This bit inherits the value configured on bit SW2[6] during OTP or TBB configuration. See <a href="#">Table 55</a> for all possible configurations. |
| UNUSED  | 7     | –   | 0x00    | unused   |

**Table 59. Register SW2OFF - ADDR 0x37**

| Name   | Bit # | R/W | Default | Description  |
|--------|-------|-----|---------|--|
| SW2OFF | 5:0   | R/W | 0x00    | Sets the SW2 output voltage during sleep mode. See <a href="#">Table 55</a> for all possible configurations.   |
| SW2OFF | 6     | R   | 0x00    | Sets the operating output voltage range for SW2 on sleep mode. This bit inherits the value configured on bit SW2[6] during OTP or TBB configuration. See <a href="#">Table 55</a> for all possible configurations. |
| UNUSED | 7     | –   | 0x00    | unused   |

**Table 60. Register SW2MODE - ADDR 0x38**

| Name     | Bit # | R/W | Default | Description   |
|----------|-------|-----|---------|---|
| SW2MODE  | 3:0   | R/W | 0x08    | Sets the SW2 switching operation mode. See <a href="#">Table 30</a> for all possible configurations.                |
| UNUSED   | 4     | –   | 0x00    | unused  |
| SW2OMODE | 5     | R/W | 0x00    | Set status of SW2 when in sleep mode <ul style="list-style-type: none"> <li>• 0 = OFF</li> <li>• 1 = PFM</li> </ul> |
| UNUSED   | 7:6   | –   | 0x00    | unused  |

**Table 61. Register SW2CONF - ADDR 0x39**

| Name        | Bit # | R/W | Default | Description   |
|-------------|-------|-----|---------|---|
| SW2ILIM     | 0     | R/W | 0x00    | SW2 current limit level selection <sup>(48)</sup> <ul style="list-style-type: none"> <li>• 0 = High level current limit</li> <li>• 1 = Low level current limit</li> </ul> |
| UNUSED      | 1     | R/W | 0x00    | unused  |
| SW2FREQ     | 3:2   | R/W | 0x00    | SW2 switching frequency selector. See <a href="#">Table 38</a> .  |
| SW2PHASE    | 5:4   | R/W | 0x00    | SW2 phase clock selection. See <a href="#">Table 36</a> .   |
| SW2DVSSPEED | 7:6   | R/W | 0x00    | SW2 DVS speed selection. See <a href="#">Table 35</a> .   |

## Notes

48. SW2ILIM = 0 must be used in NP/F9/FA versions (Industrial only) if 2.5 A output load current is desired

### 6.4.4.4.2 SW2 external components

**Table 62. SW2 external component recommendations**

| Components                         | Description                    | Values    |
|------------------------------------|--------------------------------|-----------|
| C <sub>INSW2</sub> <sup>(49)</sup> | SW2 input capacitor            | 4.7 μF    |
| C <sub>IN2HF</sub> <sup>(49)</sup> | SW2 decoupling input capacitor | 0.1 μF    |
| C <sub>OSW2</sub> <sup>(49)</sup>  | SW2 output capacitor           | 3 x 22 μF |
| L <sub>SW2</sub>                   | SW2 inductor                   | 1.0 μH    |

Notes

49. Use X5R or X7R capacitors.

### 6.4.4.4.3 SW2 Specifications

**Table 63. SW2 electrical characteristics**

All parameters are specified at T<sub>MIN</sub> to T<sub>MAX</sub> (See [Table 3](#)), V<sub>IN</sub> = V<sub>INSW2</sub> = 3.6 V, V<sub>SW2</sub> = 3.15 V, I<sub>SW2</sub> = 100 mA, SW2\_PWRSTG[2:0] = [111], typical external component values, f<sub>SW2</sub> = 2.0 MHz, unless otherwise noted. Typical values are characterized at V<sub>IN</sub> = V<sub>INSW2</sub> = 3.6 V, V<sub>SW2</sub> = 3.15 V, I<sub>SW2</sub> = 100 mA, SW2\_PWRSTG[2:0] = [111], and 25 °C, unless otherwise noted.

| Symbol                        | Parameter   | Min                   | Typ                      | Max                | Unit    | Notes        |
|-------------------------------|---|-----------------------|--------------------------|--------------------|---------|--------------|
| <b>Switch mode supply SW2</b> |   |                       |                          |                    |         |              |
| V <sub>INSW2</sub>            | Operating input voltage   | 2.8                   | –                        | 4.5                | V       | (50)         |
| V <sub>SW2</sub>              | Nominal output voltage  | –                     | <a href="#">Table 55</a> | –                  | V       |              |
| V <sub>SW2ACC</sub>           | Output voltage accuracy <ul style="list-style-type: none"> <li>PWM, APS, 2.8 V &lt; V<sub>IN</sub> &lt; 4.5 V, 0 &lt; I<sub>SW2</sub> &lt; 2.0 A <ul style="list-style-type: none"> <li>0.625 V &lt; V<sub>SW2</sub> &lt; 0.85 V</li> <li>0.875 V &lt; V<sub>SW2</sub> &lt; 1.975 V</li> <li>2.0 V &lt; V<sub>SW2</sub> &lt; 3.3 V</li> </ul> </li> <li>PFM, 2.8 V &lt; V<sub>IN</sub> &lt; 4.5 V, 0 &lt; I<sub>SW2</sub> ≤ 50 mA <ul style="list-style-type: none"> <li>0.625 V &lt; V<sub>SW2</sub> &lt; 0.675 V</li> <li>0.7 V &lt; V<sub>SW2</sub> &lt; 0.85 V</li> <li>0.875 V &lt; V<sub>SW2</sub> &lt; 1.975 V</li> <li>2.0 V &lt; V<sub>SW2</sub> &lt; 3.3 V</li> </ul> </li> </ul> | –25<br>–3.0%<br>–6.0% | –<br>–<br>–              | 25<br>3.0%<br>6.0% | mV<br>% |              |
| I <sub>SW2</sub>              | Rated output load current <ul style="list-style-type: none"> <li>2.8 V &lt; V<sub>IN</sub> &lt; 4.5 V, 0.625 V &lt; V<sub>SW2</sub> &lt; 3.3 V</li> <li>2.8 V &lt; V<sub>IN</sub> &lt; 4.5 V, 1.2 V &lt; V<sub>SW2</sub> &lt; 3.3 V, SW2LIM = 0</li> </ul>  | –<br>–                | –<br>–                   | 2000<br>2500       | mA      | (51)<br>(52) |
| I <sub>SW2LIM</sub>           | Current limiter peak current detection <ul style="list-style-type: none"> <li>Current through inductor <ul style="list-style-type: none"> <li>SW2ILIM = 0</li> <li>SW2ILIM = 1</li> </ul> </li> </ul>   | 2.8<br>2.1            | 4.0<br>3.0               | 5.2<br>3.9         | A       |              |
| V <sub>SW2OSH</sub>           | Start-up overshoot <ul style="list-style-type: none"> <li>I<sub>SW2</sub> = 0.0 mA</li> <li>DVS clk = 25 mV/4 μs, V<sub>IN</sub> = V<sub>INSW2</sub> = 4.5 V</li> </ul>   | –                     | –                        | 66                 | mV      |              |
| t <sub>ONSW2</sub>            | Turn-on time <ul style="list-style-type: none"> <li>Enable to 90% of end value</li> <li>I<sub>SW2</sub> = 0.0 mA</li> <li>DVS clk = 50 mV/8 μs, V<sub>IN</sub> = V<sub>INSW2</sub> = 4.5 V</li> </ul>   | –                     | –                        | 550                | μs      |              |
| f <sub>SW2</sub>              | Switching frequency <ul style="list-style-type: none"> <li>SW2FREQ[1:0] = 00</li> <li>SW2FREQ[1:0] = 01</li> <li>SW2FREQ[1:0] = 10</li> </ul>   | –<br>–<br>–           | 1.0<br>2.0<br>4.0        | –<br>–<br>–        | MHz     |              |

**Table 63. SW2 electrical characteristics (continued)**

All parameters are specified at  $T_{MIN}$  to  $T_{MAX}$  (See Table 3),  $V_{IN} = V_{IN_{SW2}} = 3.6\text{ V}$ ,  $V_{SW2} = 3.15\text{ V}$ ,  $I_{SW2} = 100\text{ mA}$ ,  $SW2\_PWRSTG[2:0] = [111]$ , typical external component values,  $f_{SW2} = 2.0\text{ MHz}$ , unless otherwise noted. Typical values are characterized at  $V_{IN} = V_{IN_{SW2}} = 3.6\text{ V}$ ,  $V_{SW2} = 3.15\text{ V}$ ,  $I_{SW2} = 100\text{ mA}$ ,  $SW2\_PWRSTG[2:0] = [111]$ , and  $25\text{ }^{\circ}\text{C}$ , unless otherwise noted.

| Symbol                                    | Parameter   | Min | Typ | Max | Unit             | Notes |
|---|---|-----|-----|-----|------------------|-------|
| <b>Switch mode supply SW2 (continued)</b> |   |     |     |     |                  |       |
| $\eta_{SW2}$                              | Efficiency<br><ul style="list-style-type: none"> <li><math>V_{IN} = 3.6\text{ V}</math>, <math>f_{SW2} = 2.0\text{ MHz}</math>, <math>L_{SW2} = 1.0\text{ }\mu\text{H}</math></li> <li>• PFM, 3.15 V, 1.0 mA</li> <li>• PFM, 3.15 V, 50 mA</li> <li>• APS, PWM, 3.15 V, 400 mA</li> <li>• APS, PWM, 3.15 V, 600 mA</li> <li>• APS, PWM, 3.15 V, 1000 mA</li> <li>• APS, PWM, 3.15 V, 2000 mA</li> </ul> | –   | 94  | –   | %                |       |
| $\Delta V_{SW2}$                          | Output ripple   | –   | 10  | –   | mV               |       |
| $V_{SW2LIR}$                              | Line regulation (APS, PWM)  | –   | –   | 20  | mV               |       |
| $V_{SW2LOR}$                              | DC load regulation (APS, PWM)   | –   | –   | 20  | mV               |       |
| $V_{SW2LOTR}$                             | Transient load regulation<br><ul style="list-style-type: none"> <li>• Transient load = 0.0 mA to 1.0 A, <math>di/dt = 100\text{ mA}/\mu\text{s}</math></li> <li>• Overshoot</li> <li>• Undershoot</li> </ul>  | –   | –   | 50  | mV               |       |
| $I_{SW2Q}$                                | Quiescent current<br><ul style="list-style-type: none"> <li>• PFM mode</li> <li>• APS mode (low output voltage settings)</li> <li>• APS mode (high output voltage settings)</li> </ul>  | –   | 23  | –   | $\mu\text{A}$    |       |
| $R_{ON_{SW2P}}$                           | SW2 P-MOSFET $R_{DS(on)}$<br><ul style="list-style-type: none"> <li>• at <math>V_{IN} = V_{IN_{SW2}} = 3.3\text{ V}</math></li> </ul>   | –   | 190 | 209 | $\text{m}\Omega$ |       |
| $R_{ON_{SW2N}}$                           | SW2 N-MOSFET $R_{DS(on)}$<br><ul style="list-style-type: none"> <li>• at <math>V_{IN} = V_{IN_{SW2}} = 3.3\text{ V}</math></li> </ul>   | –   | 212 | 255 | $\text{m}\Omega$ |       |
| $I_{SW2PQ}$                               | SW2 P-MOSFET leakage current<br><ul style="list-style-type: none"> <li>• <math>V_{IN} = V_{IN_{SW2}} = 4.5\text{ V}</math></li> </ul>   | –   | –   | 12  | $\mu\text{A}$    |       |
| $I_{SW2NQ}$                               | SW2 N-MOSFET leakage current<br><ul style="list-style-type: none"> <li>• <math>V_{IN} = V_{IN_{SW2}} = 4.5\text{ V}</math></li> </ul>   | –   | –   | 4.0 | $\mu\text{A}$    |       |
| $R_{SW2DIS}$                              | Discharge resistance  | –   | 600 | –   | $\Omega$         |       |

**Notes**

- When output is set to  $> 2.6\text{ V}$  the output follows the input down when  $V_{IN}$  gets near  $2.8\text{ V}$ .
- The higher output voltages available depend on the voltage drop in the conduction path as given by the following equation:  
 $(V_{IN_{SW2}} - V_{SW2}) = I_{SW2} * (\text{DCR of Inductor} + R_{ON_{SW2P}} + \text{PCB trace resistance})$ .
- Applies to NP, F9, and FA Industrial versions only (ANES suffix)

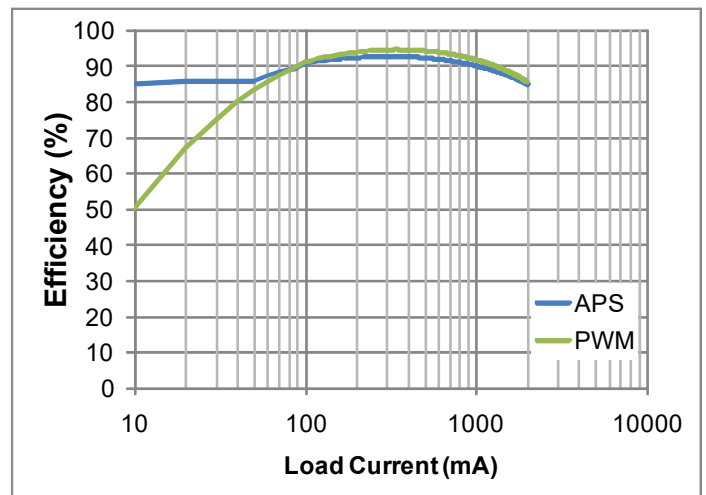
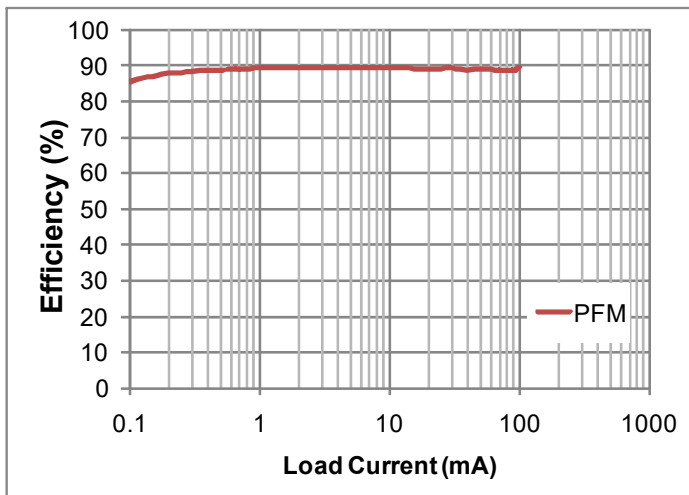


Figure 19. sw2 Efficiency Waveforms:  $V_{IN} = 4.2\text{ V}$ ;  $V_{OUT} = 3.0\text{ V}$ ; consumer version

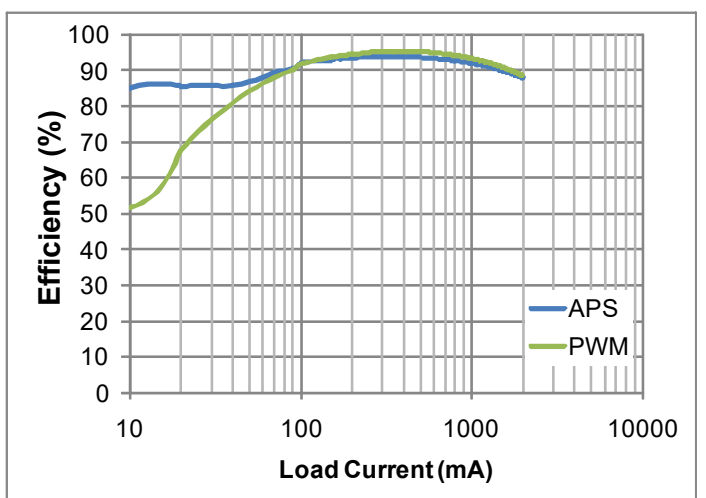
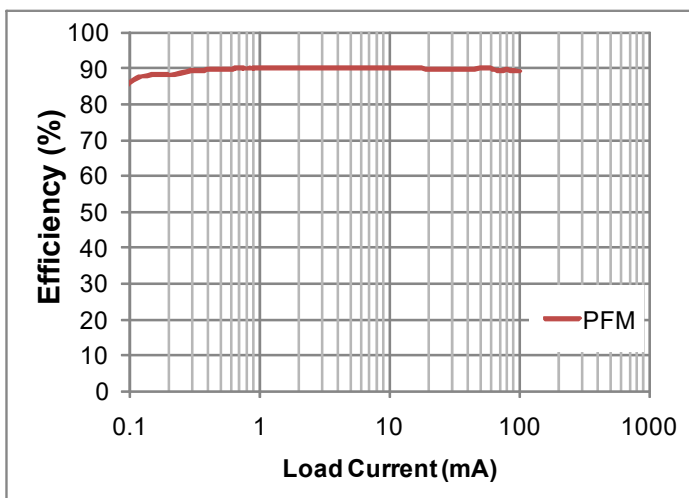


Figure 20. sw2 efficiency waveforms:  $v_{in} = 4.2\text{ v}$ ;  $v_{out} = 3.0\text{ v}$ ; Extended Industrial Version

#### 6.4.4.4 SW3A/B

SW3A/B are 1.25 to 2.5 A rated buck regulators, depending on the configuration. [Table 30](#) describes the available switching modes and [Table 31](#) show the actual configuration options for the SW3xMODE[3:0] bits. SW3A/B can be configured in various phasing schemes, depending on the desired cost/performance trade-offs. The following configurations are available:

- A single phase
- A dual phase
- Independent regulators

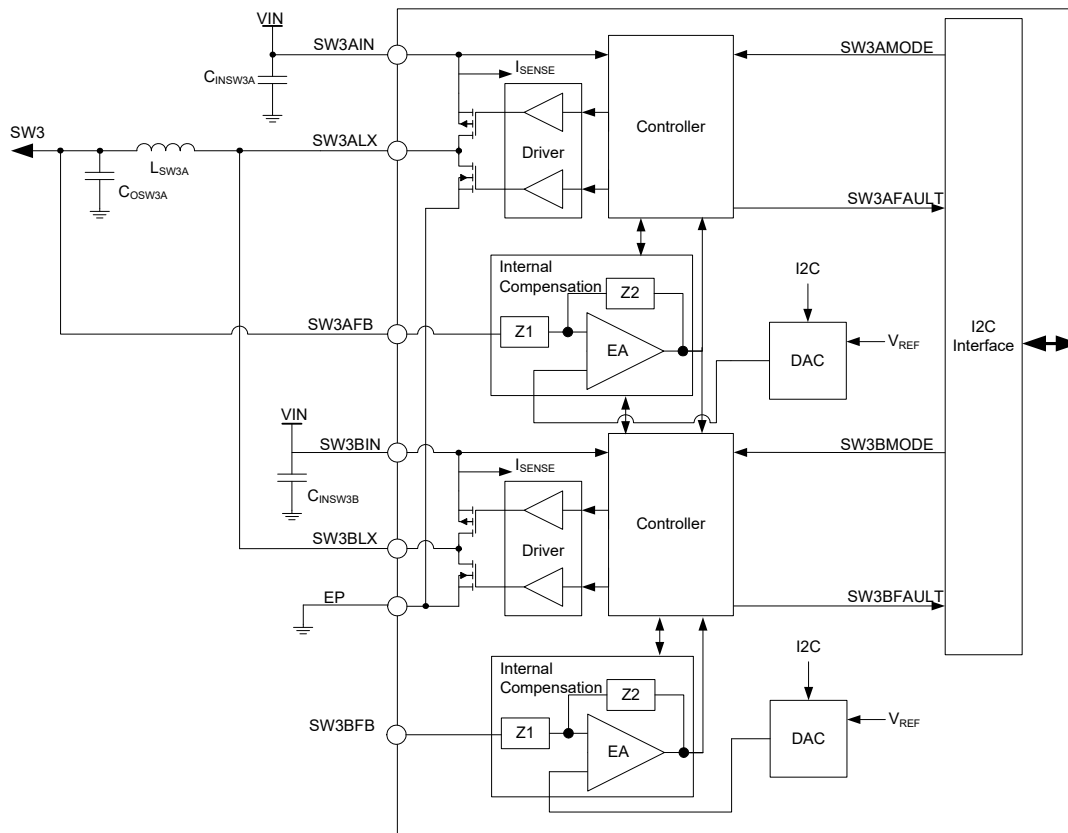
The desired configuration is programmed in OTP by using the SW3\_CONFIG[1:0] bits. [Table 64](#) shows the options for the SW3CFG[1:0] bits.

**Table 64. SW3 configuration**

| SW3_CONFIG[1:0] | Description      |
|-----------------|------------------|
| 00              | A/B single phase |
| 01              | A/B single phase |
| 10              | A/B dual phase   |
| 11              | A/B independent  |

**6.4.4.4.5 SW3A/B single phase**

In this configuration, SW3ALX and SW3BLX are connected in single phase with a single inductor a shown in Figure 21. This configuration reduces cost and component count. Feedback is taken from the SW3AFB pin and the SW3BFB pin must be left open. Although control is from SW3A, registers of both regulators, SW3A and SW3B, must be identically set.



**Figure 21. SW3A/B single phase block diagram**

### 6.4.4.4.6 SW3A/B dual phase

SW3A/B can be connected in dual phase configuration using one inductor per switching node, as shown in Figure 22. This mode allows a smaller output voltage ripple. Feedback is taken from pin SW3AFB and pin SW3BFB must be left open. Although control is from SW3A, registers of both regulators, SW3A and SW3B, must be identically set. In this configuration, the regulators switch 180 degrees apart.

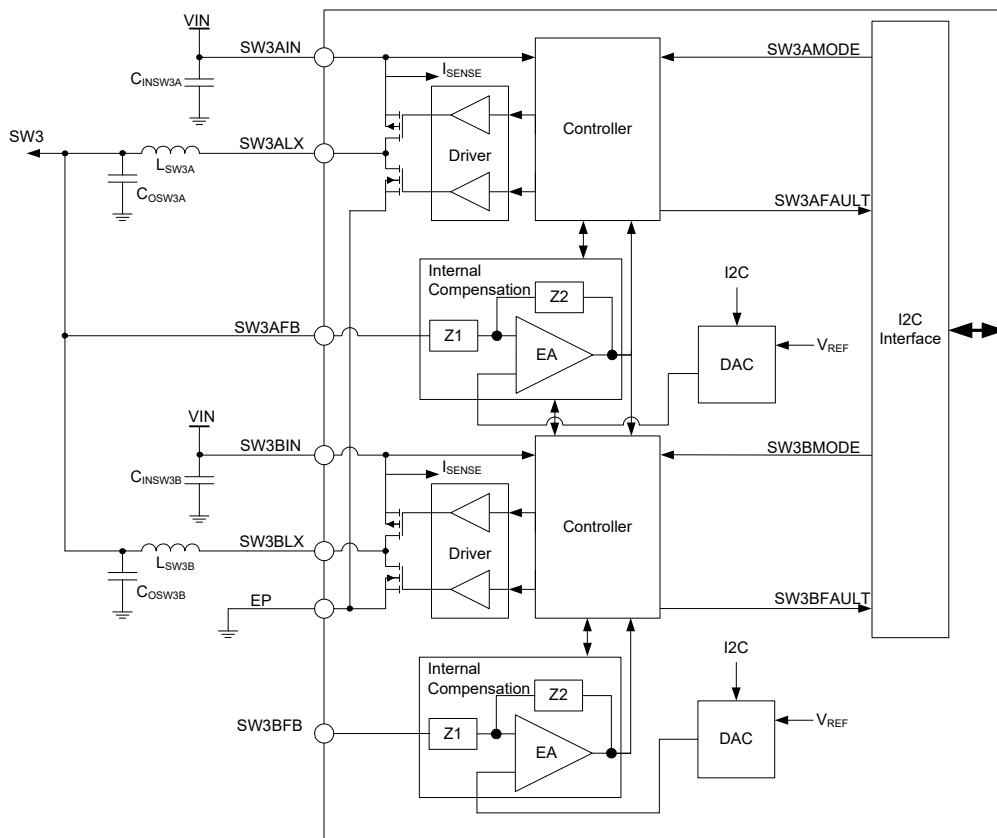


Figure 22. SW3A/B dual phase block diagram

### 6.4.4.4.7 SW3A - SW3B independent outputs

SW3A and SW3B can be configured as independent outputs as shown in Figure 23, providing flexibility for applications requiring more voltage rails with less current capability. Each output is configured and controlled independently by its respective I<sup>2</sup>C registers as shown in Table 66.

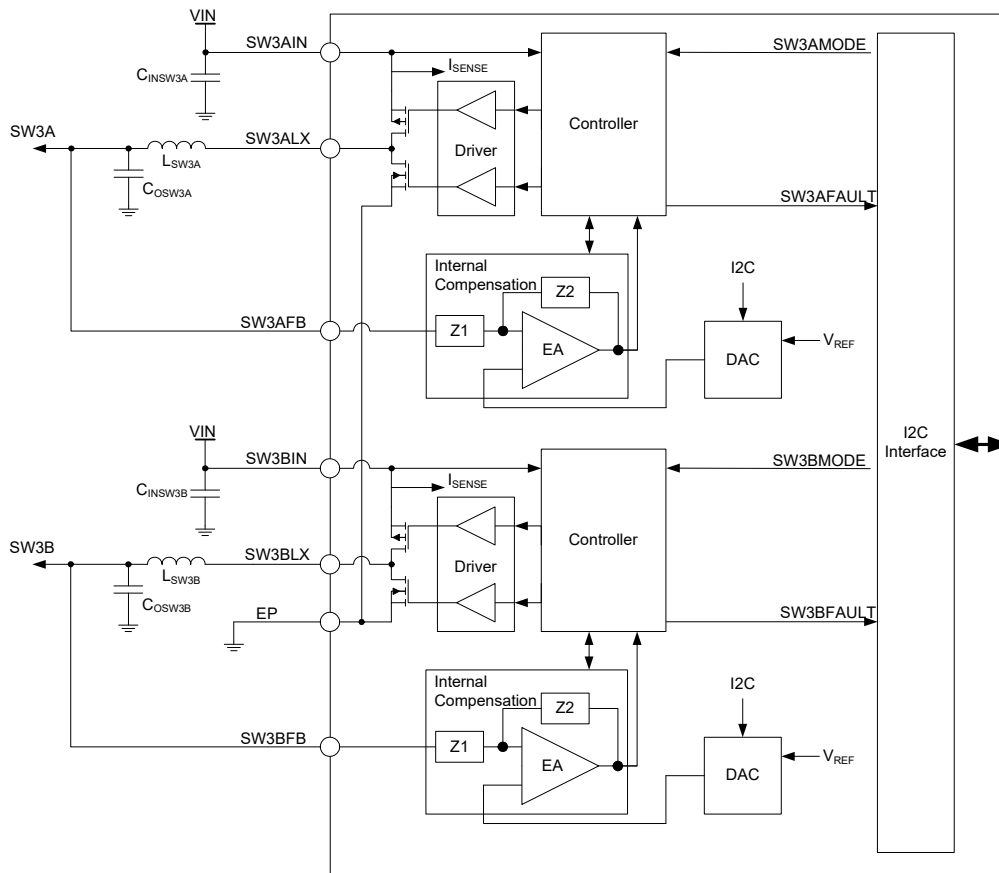


Figure 23. SW3A/B independent output block diagram

### 6.4.4.4.8 SW3A/B Setup and Control Registers

SW3A/B output voltage is programmable from 0.400 V to 3.300 V; however, bit SW3x[6] in register SW3xVOLT is read-only during normal operation. Its value is determined by the default configuration, or may be changed by using the OTP registers. Therefore, once SW3x[6] is set to "0", the output is limited to the lower output voltages from 0.40 V to 1.975 V with 25 mV increments, as determined by bits SW3x[5:0]. Likewise, once bit SW3x[6] is set to "1", the output voltage is limited to the higher output voltage range from 0.800 V to 3.300 V with 50 mV increments, as determined by bits SW3x[5:0].

In order to optimize the performance of the regulator, it is recommended only voltages from 2.00 V to 3.300 V be used in the high range and the lower range be used for voltages from 0.400 V to 1.975 V.

The output voltage set point is independently programmed for normal, standby, and sleep mode by setting the SW3x[5:0], SW3xSTBY[5:0], and SW3xOFF[5:0] bits respectively; however, the initial state of the SW3x[6] bit is copied into the SW3xSTBY[6] and SW3xOFF[6] bits. Therefore, the output voltage range remains the same on all three operating modes. Table 65 shows the output voltage coding valid for SW3x.

**Note:** Voltage set points of 0.6 V and below are not supported.

Table 65. SW3A/B output voltage configuration

| Low output voltage range <sup>(53)</sup> |           |             | High output voltage range |           |             |
|--|-----------|-------------|---------------------------|-----------|-------------|
| Set point                                | SW3x[6:0] | SW3x output | Set point                 | SW3x[6:0] | SW3x output |
| 0  | 0000000   | 0.4000      | 64                        | 1000000   | 0.8000      |
| 1  | 0000001   | 0.4250      | 65                        | 1000001   | 0.8500      |
| 2  | 0000010   | 0.4500      | 66                        | 1000010   | 0.9000      |
| 3  | 0000011   | 0.4750      | 67                        | 1000011   | 0.9500      |
| 4  | 0000100   | 0.5000      | 68                        | 1000100   | 1.0000      |
| 5  | 0000101   | 0.5250      | 69                        | 1000101   | 1.0500      |
| 6  | 0000110   | 0.5500      | 70                        | 1000110   | 1.1000      |
| 7  | 0000111   | 0.5750      | 71                        | 1000111   | 1.1500      |
| 8  | 0001000   | 0.6000      | 72                        | 1001000   | 1.2000      |
| 9  | 0001001   | 0.6250      | 73                        | 1001001   | 1.2500      |
| 10                                       | 0001010   | 0.6500      | 74                        | 1001010   | 1.3000      |
| 11                                       | 0001011   | 0.6750      | 75                        | 1001011   | 1.3500      |
| 12                                       | 0001100   | 0.7000      | 76                        | 1001100   | 1.4000      |
| 13                                       | 0001101   | 0.7250      | 77                        | 1001101   | 1.4500      |
| 14                                       | 0001110   | 0.7500      | 78                        | 1001110   | 1.5000      |
| 15                                       | 0001111   | 0.7750      | 79                        | 1001111   | 1.5500      |
| 16                                       | 0010000   | 0.8000      | 80                        | 1010000   | 1.6000      |
| 17                                       | 0010001   | 0.8250      | 81                        | 1010001   | 1.6500      |
| 18                                       | 0010010   | 0.8500      | 82                        | 1010010   | 1.7000      |
| 19                                       | 0010011   | 0.8750      | 83                        | 1010011   | 1.7500      |
| 20                                       | 0010100   | 0.9000      | 84                        | 1010100   | 1.8000      |
| 21                                       | 0010101   | 0.9250      | 85                        | 1010101   | 1.8500      |
| 22                                       | 0010110   | 0.9500      | 86                        | 1010110   | 1.9000      |
| 23                                       | 0010111   | 0.9750      | 87                        | 1010111   | 1.9500      |
| 24                                       | 0011000   | 1.0000      | 88                        | 1011000   | 2.0000      |
| 25                                       | 0011001   | 1.0250      | 89                        | 1011001   | 2.0500      |
| 26                                       | 0011010   | 1.0500      | 90                        | 1011010   | 2.1000      |
| 27                                       | 0011011   | 1.0750      | 91                        | 1011011   | 2.1500      |
| 28                                       | 0011100   | 1.1000      | 92                        | 1011100   | 2.2000      |
| 29                                       | 0011101   | 1.1250      | 93                        | 1011101   | 2.2500      |
| 30                                       | 0011110   | 1.1500      | 94                        | 1011110   | 2.3000      |
| 31                                       | 0011111   | 1.1750      | 95                        | 1011111   | 2.3500      |
| 32                                       | 0100000   | 1.2000      | 96                        | 1100000   | 2.4000      |
| 33                                       | 0100001   | 1.2250      | 97                        | 1100001   | 2.4500      |
| 34                                       | 0100010   | 1.2500      | 98                        | 1100010   | 2.5000      |
| 35                                       | 0100011   | 1.2750      | 99                        | 1100011   | 2.5500      |
| 36                                       | 0100100   | 1.3000      | 100                       | 1100100   | 2.6000      |
| 37                                       | 0100101   | 1.3250      | 101                       | 1100101   | 2.6500      |

**Table 65. SW3A/B output voltage configuration**

| Low output voltage range <sup>(53)</sup> |           |             | High output voltage range |           |             |
|--|-----------|-------------|---------------------------|-----------|-------------|
| Set point                                | SW3x[6:0] | SW3x output | Set point                 | SW3x[6:0] | SW3x output |
| 38                                       | 0100110   | 1.3500      | 102                       | 1100110   | 2.7000      |
| 39                                       | 0100111   | 1.3750      | 103                       | 1100111   | 2.7500      |
| 40                                       | 0101000   | 1.4000      | 104                       | 1101000   | 2.8000      |
| 41                                       | 0101001   | 1.4250      | 105                       | 1101001   | 2.8500      |
| 42                                       | 0101010   | 1.4500      | 106                       | 1101010   | 2.9000      |
| 43                                       | 0101011   | 1.4750      | 107                       | 1101011   | 2.9500      |
| 44                                       | 0101100   | 1.5000      | 108                       | 1101100   | 3.0000      |
| 45                                       | 0101101   | 1.5250      | 109                       | 1101101   | 3.0500      |
| 46                                       | 0101110   | 1.5500      | 110                       | 1101110   | 3.1000      |
| 47                                       | 0101111   | 1.5750      | 111                       | 1101111   | 3.1500      |
| 48                                       | 0110000   | 1.6000      | 112                       | 1110000   | 3.2000      |
| 49                                       | 0110001   | 1.6250      | 113                       | 1110001   | 3.2500      |
| 50                                       | 0110010   | 1.6500      | 114                       | 1110010   | 3.3000      |
| 51                                       | 0110011   | 1.6750      | 115                       | 1110011   | Reserved    |
| 52                                       | 0110100   | 1.7000      | 116                       | 1110100   | Reserved    |
| 53                                       | 0110101   | 1.7250      | 117                       | 1110101   | Reserved    |
| 54                                       | 0110110   | 1.7500      | 118                       | 1110110   | Reserved    |
| 55                                       | 0110111   | 1.7750      | 119                       | 1110111   | Reserved    |
| 56                                       | 0111000   | 1.8000      | 120                       | 1111000   | Reserved    |
| 57                                       | 0111001   | 1.8250      | 121                       | 1111001   | Reserved    |
| 58                                       | 0111010   | 1.8500      | 122                       | 1111010   | Reserved    |
| 59                                       | 0111011   | 1.8750      | 123                       | 1111011   | Reserved    |
| 60                                       | 0111100   | 1.9000      | 124                       | 1111100   | Reserved    |
| 61                                       | 0111101   | 1.9250      | 125                       | 1111101   | Reserved    |
| 62                                       | 0111110   | 1.9500      | 126                       | 1111110   | Reserved    |
| 63                                       | 0111111   | 1.9750      | 127                       | 1111111   | Reserved    |

**Notes**

53. For voltages less than 2.0 V, only use set points 0 to 63.

Table 66 provides a list of registers used to configure and operate SW3A/B. A detailed description on each of these register is provided on Tables 67 through Table 76.

**Table 66. SW3AB register summary**

| Register | Address | Output  |
|----------|---------|---|
| SW3AVOLT | 0x3C    | SW3A output voltage set point on normal operation |
| SW3ASTBY | 0x3D    | SW3A output voltage set point on standby          |
| SW3AOFF  | 0x3E    | SW3A output voltage set point on sleep            |
| SW3AMODE | 0x3F    | SW3A switching mode selector register             |
| SW3ACONF | 0x40    | SW3A DVS, phase, frequency and ILIM configuration |
| SW3BVOLT | 0x43    | SW3B output voltage set point on normal operation |
| SW3BSTBY | 0x44    | SW3B output voltage set point on standby          |
| SW3BOFF  | 0x45    | SW3B output voltage set point on sleep            |
| SW3BMODE | 0x46    | SW3B switching mode selector register             |
| SW3BCONF | 0x47    | SW3B DVS, phase, frequency and ILIM configuration |

**Table 67. Register SW3AVOLT - ADDR 0x3C**

| Name   | Bit # | R/W | Default | Description   |
|--------|-------|-----|---------|---|
| SW3A   | 5:0   | R/W | 0x00    | Sets the SW3A output voltage (independent) or SW3A/B output voltage (single/dual phase), during normal operation mode. See Table 65 for all possible configurations.                  |
| SW3A   | 6     | R   | 0x00    | Sets the operating output voltage range for SW3A (independent) or SW3A/B (single/dual phase). Set during OTP or TBB configuration only. See Table 65 for all possible configurations. |
| UNUSED | 7     | –   | 0x00    | unused  |

**Table 68. Register SW3ASTBY - ADDR 0x3D**

| Name     | Bit # | R/W | Default | Description  |
|----------|-------|-----|---------|--|
| SW3ASTBY | 5:0   | R/W | 0x00    | Sets the SW3A output voltage (independent) or SW3A/B output voltage (single/dual phase), during standby mode. See Table 65 for all possible configurations.  |
| SW3ASTBY | 6     | R   | 0x00    | Sets the operating output voltage range for SW3A (independent) or SW3A/B (single/dual phase) on standby mode. This bit inherits the value configured on bit SW3A[6] during OTP or TBB configuration. See Table 65 for all possible configurations. |
| UNUSED   | 7     | –   | 0x00    | unused   |

**Table 69. Register SW3AOFF - ADDR 0x3E**

| Name    | Bit # | R/W | Default | Description  |
|---------|-------|-----|---------|--|
| SW3AOFF | 5:0   | R/W | 0x00    | Sets the SW3A output voltage (independent) or SW3A/B output voltage (Single/Dual phase), during Sleep mode. See <a href="#">Table 65</a> for all possible configurations.  |
| SW3AOFF | 6     | R   | 0x00    | Sets the operating output voltage range for SW3A (independent) or SW3A/B (single/dual phase) on sleep mode. This bit inherits the value configured on bit SW3A[6] during OTP or TBB configuration. See <a href="#">Table 65</a> for all possible configurations. |
| UNUSED  | 7     | –   | 0x00    | unused   |

**Table 70. Register SW3AMODE - ADDR 0x3F**

| Name      | Bit # | R/W | Default | Description   |
|-----------|-------|-----|---------|---|
| SW3AMODE  | 3:0   | R/W | 0x08    | Sets the SW3A (independent) or SW3A/B (single/dual phase) switching operation mode. See <a href="#">Table 30</a> for all possible configurations.                 |
| UNUSED    | 4     | –   | 0x00    | unused  |
| SW3AOMODE | 5     | R/W | 0x00    | Set status of SW3A (independent) or SW3A/B (single/dual phase) when in sleep mode. <ul style="list-style-type: none"> <li>• 0 = OFF</li> <li>• 1 = PFM</li> </ul> |
| UNUSED    | 7:6   | –   | 0x00    | unused  |

**Table 71. Register SW3ACONF - ADDR 0x40**

| Name         | Bit # | R/W | Default | Description  |
|--------------|-------|-----|---------|--|
| SW3AILIM     | 0     | R/W | 0x00    | SW3A current limit level selection <ul style="list-style-type: none"> <li>• 0 = High level current limit</li> <li>• 1 = Low level current limit</li> </ul> |
| UNUSED       | 1     | R/W | 0x00    | unused   |
| SW3AFREQ     | 3:2   | R/W | 0x00    | SW3A switching frequency selector. See <a href="#">Table 38</a> .  |
| SW3APHASE    | 5:4   | R/W | 0x00    | SW3A phase clock selection. See <a href="#">Table 36</a> .   |
| SW3ADVSSPEED | 7:6   | R/W | 0x00    | SW3A DVS speed selection. See <a href="#">Table 35</a> .   |

**Table 72. Register SW3BVOLT - ADDR 0x43**

| Name   | Bit # | R/W | Default | Description   |
|--------|-------|-----|---------|---|
| SW3B   | 5:0   | R/W | 0x00    | Sets the SW3B output voltage (independent) during normal operation mode. See <a href="#">Table 65</a> for all possible configurations.                                  |
| SW3B   | 6     | R   | 0x00    | Sets the operating output voltage range for SW3B (independent). Set during OTP or TBB configuration only. See <a href="#">Table 65</a> for all possible configurations. |
| UNUSED | 7     | –   | 0x00    | unused  |

**Table 73. Register SW3BSTBY - ADDR 0x44**

| Name     | Bit # | R/W | Default | Description  |
|----------|-------|-----|---------|--|
| SW3BSTBY | 5:0   | R/W | 0x00    | Sets the SW3B output voltage (independent) during standby mode. See <a href="#">Table 65</a> for all possible configurations.  |
| SW3BSTBY | 6     | R   | 0x00    | Sets the operating output voltage range for SW3B (Independent) on standby mode. This bit inherits the value configured on bit SW3B[6] during OTP or TBB configuration. See <a href="#">Table 65</a> for all possible configurations. |
| UNUSED   | 7     | –   | 0x00    | unused   |

**Table 74. Register SW3BOFF - ADDR 0x45**

| Name    | Bit # | R/W | Default | Description  |
|---------|-------|-----|---------|--|
| SW3BOFF | 5:0   | R/W | 0x00    | Sets the SW3B output voltage (independent) during sleep mode. See <a href="#">Table 65</a> for all possible configurations.  |
| SW3BOFF | 6     | R   | 0x00    | Sets the operating output voltage range for SW3B (independent) on sleep mode. This bit inherits the value configured on bit SW3B[6] during OTP or TBB configuration. See <a href="#">Table 65</a> for all possible configurations. |
| UNUSED  | 7     | –   | 0x00    | unused   |

**Table 75. Register SW3BMODE - ADDR 0x46**

| Name      | Bit # | R/W | Default | Description  |
|-----------|-------|-----|---------|--|
| SW3BMODE  | 3:0   | R/W | 0x08    | Sets the SW3B (independent) switching operation mode. See <a href="#">Table 30</a> for all possible configurations.                    |
| UNUSED    | 4     | –   | 0x00    | unused   |
| SW3BOMODE | 5     | R/W | 0x00    | Set status of SW3B (independent) when in sleep mode.<br><ul style="list-style-type: none"> <li>• 0 = OFF</li> <li>• 1 = PFM</li> </ul> |
| UNUSED    | 7:6   | –   | 0x00    | unused   |

**Table 76. Register SW3BCONF - ADDR 0x47**

| Name         | Bit # | R/W | Default | Description   |
|--------------|-------|-----|---------|---|
| SW3BILIM     | 0     | R/W | 0x00    | SW3B current limit level selection<br><ul style="list-style-type: none"> <li>• 0 = High level Current limit</li> <li>• 1 = Low level Current limit</li> </ul> |
| UNUSED       | 1     | R/W | 0x00    | Unused  |
| SW3BFREQ     | 3:2   | R/W | 0x00    | SW3B switching frequency selector. See <a href="#">Table 38</a> .   |
| SW3BPHASE    | 5:4   | R/W | 0x00    | SW3B phase clock selection. See <a href="#">Table 36</a> .  |
| SW3BDVSSPEED | 7:6   | R/W | 0x00    | SW3B DVS speed selection. See <a href="#">Table 35</a> .  |

### 6.4.4.4.9 SW3A/B external components

Table 77. SW3A/B external component requirements

| Components                     | Description                     | Mode                |                   |                                   |
|--------------------------------|---------------------------------|---------------------|-------------------|-----------------------------------|
|                                |                                 | SW3A/B single phase | SW3A/B dual phase | SW3A independent SW3B independent |
| $C_{IN\ SW3A}$ <sup>(54)</sup> | SW3A input capacitor            | 4.7 $\mu$ F         | 4.7 $\mu$ F       | 4.7 $\mu$ F                       |
| $C_{IN\ 3AHF}$ <sup>(54)</sup> | SW3A decoupling input capacitor | 0.1 $\mu$ F         | 0.1 $\mu$ F       | 0.1 $\mu$ F                       |
| $C_{IN\ SW3B}$ <sup>(54)</sup> | SW3B input capacitor            | 4.7 $\mu$ F         | 4.7 $\mu$ F       | 4.7 $\mu$ F                       |
| $C_{IN\ 3BHF}$ <sup>(54)</sup> | SW3B decoupling input capacitor | 0.1 $\mu$ F         | 0.1 $\mu$ F       | 0.1 $\mu$ F                       |
| $C_{OS\ W3A}$ <sup>(54)</sup>  | SW3A output capacitor           | 3 x 22 $\mu$ F      | 2 x 22 $\mu$ F    | 2 x 22 $\mu$ F                    |
| $C_{OS\ W3B}$ <sup>(54)</sup>  | SW3B output capacitor           | –                   | 2 x 22 $\mu$ F    | 2 x 22 $\mu$ F                    |
| $L_{SW3A}$                     | SW3A inductor                   | 1.0 $\mu$ H         | 1.0 $\mu$ H       | 1.0 $\mu$ H                       |
| $L_{SW3B}$                     | SW3B inductor                   | –                   | 1.0 $\mu$ H       | 1.0 $\mu$ H                       |

Notes  
54. Use X5R or X7R capacitors.

### 6.4.4.4.10 SW3A/B specifications

Table 78. SW3A/B electrical characteristics

All parameters are specified at  $T_{MIN}$  to  $T_{MAX}$  (See Table 3),  $V_{IN} = V_{IN\ SW3x} = 3.6$  V,  $V_{SW3x} = 1.5$  V,  $I_{SW3x} = 100$  mA,  $SW3x\_PWRSTG[2:0] = [111]$ , typical external component values,  $f_{SW3x} = 2.0$  MHz, single/dual phase and independent mode unless, otherwise noted. Typical values are characterized at  $V_{IN} = V_{IN\ SW3x} = 3.6$  V,  $V_{SW3x} = 1.5$  V,  $I_{SW3x} = 100$  mA,  $SW3x\_PWRSTG[2:0] = [111]$ , and 25 °C, unless otherwise noted.

| Symbol                           | Parameter  | Min.                  | Typ.        | Max.               | Unit    | Notes |
|----------------------------------|--|-----------------------|-------------|--------------------|---------|-------|
| <b>Switch mode supply SW3a/B</b> |  |                       |             |                    |         |       |
| $V_{IN\ SW3x}$                   | Operating input voltage  | 2.8                   | –           | 4.5                | V       | (55)  |
| $V_{SW3x}$                       | Nominal output voltage   | –                     | Table 65    | –                  | V       |       |
| $V_{SW3x\ ACC}$                  | Output voltage accuracy<br><ul style="list-style-type: none"> <li>PWM, APS 2.8 V &lt; <math>V_{IN}</math> &lt; 4.5 V, 0 &lt; <math>I_{SW3x}</math> &lt; <math>I_{SW3x\ MAX}</math> <ul style="list-style-type: none"> <li>0.625 V &lt; <math>V_{SW3x}</math> &lt; 0.85 V</li> <li>0.875 V &lt; <math>V_{SW3x}</math> &lt; 1.975 V</li> <li>2.0 V &lt; <math>V_{SW3x}</math> &lt; 3.3 V</li> </ul> </li> <li>PFM, steady state (2.8 V &lt; <math>V_{IN}</math> &lt; 4.5 V, 0 &lt; <math>I_{SW3x}</math> &lt; 50 mA) <ul style="list-style-type: none"> <li>0.625 V &lt; <math>V_{SW3x}</math> &lt; 0.675 V</li> <li>0.7 V &lt; <math>V_{SW3x}</math> &lt; 0.85 V</li> <li>0.875 V &lt; <math>V_{SW3x}</math> &lt; 1.975 V</li> <li>2.0 V &lt; <math>V_{SW3x}</math> &lt; 3.3 V</li> </ul> </li> </ul> | –25<br>–3.0%<br>–6.0% | –<br>–<br>– | 25<br>3.0%<br>6.0% | mV<br>% |       |
| $I_{SW3x}$                       | Rated output load current<br><ul style="list-style-type: none"> <li>2.8 V &lt; <math>V_{IN}</math> &lt; 4.5 V, 0.625 V &lt; <math>V_{SW3x}</math> &lt; 3.3 V <ul style="list-style-type: none"> <li>PWM, APS mode single/dual phase</li> <li>PWM, APS mode independent (per phase)</li> </ul> </li> </ul>  | –<br>–                | –<br>–      | 2500<br>1250       | mA      | (56)  |

**Table 78. SW3A/B electrical characteristics (continued)**

All parameters are specified at  $T_{MIN}$  to  $T_{MAX}$  (See Table 3),  $V_{IN} = VIN_{SW3x} = 3.6 V$ ,  $V_{SW3x} = 1.5 V$ ,  $I_{SW3x} = 100 mA$ ,  $SW3x\_PWRSTG[2:0] = [111]$ , typical external component values,  $f_{SW3x} = 2.0 MHz$ , single/dual phase and independent mode unless, otherwise noted. Typical values are characterized at  $V_{IN} = VIN_{SW3x} = 3.6 V$ ,  $V_{SW3x} = 1.5 V$ ,  $I_{SW3x} = 100 mA$ ,  $SW3x\_PWRSTG[2:0] = [111]$ , and  $25\text{ }^{\circ}C$ , unless otherwise noted.

| Symbol                                       | Parameter  | Min.        | Typ.              | Max.        | Unit      | Notes |
|--|--|-------------|-------------------|-------------|-----------|-------|
| <b>Switch mode supply SW3a/B (continued)</b> |  |             |                   |             |           |       |
| $I_{SW3xLIM}$                                | Current limiter peak current detection   |             |                   |             |           |       |
|  | <ul style="list-style-type: none"> <li>• Single phase (current through inductor)               <ul style="list-style-type: none"> <li>• <math>SW3xILIM = 0</math></li> <li>• <math>SW3xILIM = 1</math></li> </ul> </li> <li>• Independent mode or dual phase (current through inductor per phase)               <ul style="list-style-type: none"> <li>• <math>SW3xILIM = 0</math></li> <li>• <math>SW3xILIM = 1</math></li> </ul> </li> </ul> | 3.5<br>2.7  | 5.0<br>3.8        | 6.5<br>4.9  | A         |       |
| $V_{SW3xOSH}$                                | Start-up overshoot <ul style="list-style-type: none"> <li>• <math>I_{SW3x} = 0.0 mA</math></li> <li>• DVS clk = 25 mV/4 <math>\mu s</math>, <math>V_{IN} = VIN_{SW3x} = 4.5 V</math></li> </ul>  | –           | –                 | 66          | mV        |       |
| $t_{ONSW3x}$                                 | Turn-on time <ul style="list-style-type: none"> <li>• Enable to 90% of end value</li> <li>• <math>I_{SW3x} = 0 mA</math></li> <li>• DVS clk = 25 mV/4 <math>\mu s</math>, <math>V_{IN} = VIN_{SW3x} = 4.5 V</math></li> </ul>  | –           | –                 | 500         | $\mu s$   |       |
| $f_{SW3x}$                                   | Switching frequency <ul style="list-style-type: none"> <li>• <math>SW3xFREQ[1:0] = 00</math></li> <li>• <math>SW3xFREQ[1:0] = 01</math></li> <li>• <math>SW3xFREQ[1:0] = 10</math></li> </ul>  | –<br>–<br>– | 1.0<br>2.0<br>4.0 | –<br>–<br>– | MHz       |       |
| $\eta_{SW3AB}$                               | Efficiency (single phase)  |             |                   |             |           |       |
|  | • $f_{SW3} = 2.0 MHz$ , $L_{SW3x} = 1.0\ \mu H$  | –           | 84                | –           | %         |       |
|  | • PFM, 1.5 V, 1.0 mA   | –           | 85                | –           |           |       |
|  | • PFM, 1.5 V, 50 mA  | –           | 85                | –           |           |       |
|  | • APS, PWM 1.5 V, 500 mA   | –           | 84                | –           |           |       |
|  | • APS, PWM 1.5 V, 750 mA   | –           | 80                | –           |           |       |
|  | • APS, PWM 1.5 V, 1250 mA  | –           | 74                | –           |           |       |
| $\Delta V_{SW3x}$                            | Output ripple  | –           | 10                | –           | mV        |       |
| $V_{SW3xLIR}$                                | Line regulation (APS, PWM)   | –           | –                 | 20          | mV        |       |
| $V_{SW3xLOR}$                                | DC load regulation (APS, PWM)  | –           | –                 | 20          | mV        |       |
| $V_{SW3xLOTR}$                               | Transient load regulation  |             |                   |             |           |       |
|  | <ul style="list-style-type: none"> <li>• Transient load = 0.0 mA to <math>I_{SW3x}/2</math>, <math>di/dt = 100 mA/\mu s</math></li> <li>• Overshoot</li> <li>• Undershoot</li> </ul>   | –<br>–      | –<br>–            | 50<br>50    | mV        |       |
| $I_{SW3xQ}$                                  | Quiescent current  |             |                   |             |           |       |
|  | • PFM mode (single/dual phase)   | –           | 22                | –           | $\mu A$   |       |
|  | • APS mode (single/dual phase)   | –           | 300               | –           |           |       |
|  | • PFM mode (independent mode)  | –           | 50                | –           |           |       |
|  | • APS mode (SW3A independent mode)   | –           | 250               | –           |           |       |
| • APS mode (SW3B independent mode)           | –  | 150         | –                 |             |           |       |
| $R_{ONSW3AP}$                                | SW3A P-MOSFET $R_{DS(on)}$ <ul style="list-style-type: none"> <li>• at <math>V_{IN} = VIN_{SW3A} = 3.3 V</math></li> </ul>   | –           | 215               | 245         | $m\Omega$ |       |
| $R_{ONSW3AN}$                                | SW3A N-MOSFET $R_{DS(on)}$ <ul style="list-style-type: none"> <li>• at <math>V_{IN} = VIN_{SW3A} = 3.3 V</math></li> </ul>   | –           | 258               | 326         | $m\Omega$ |       |

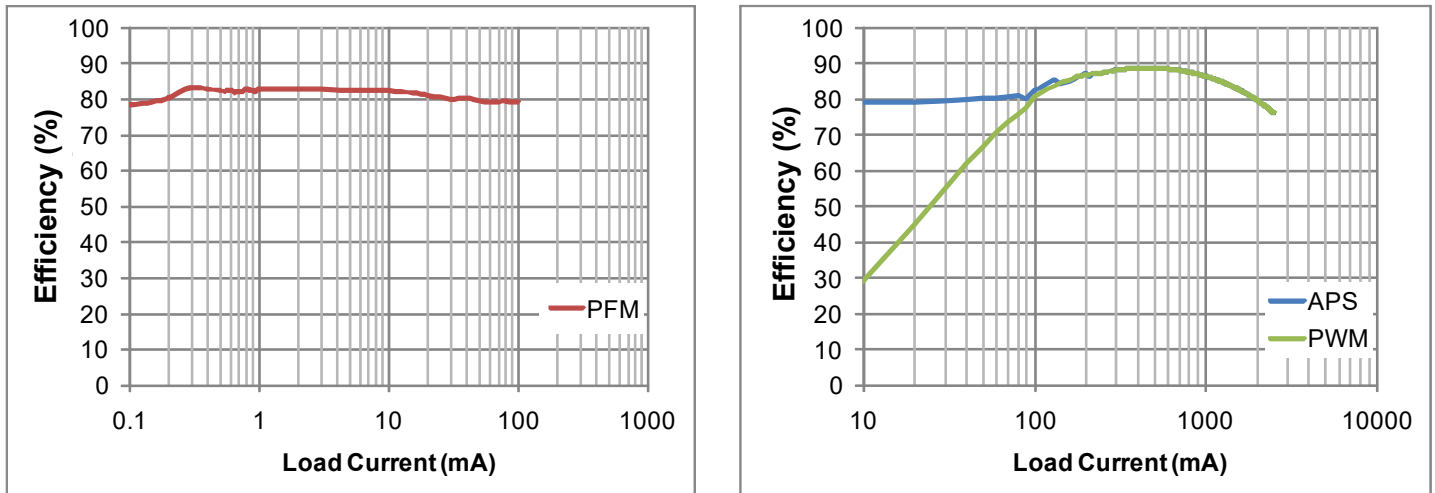
**Table 78. SW3A/B electrical characteristics (continued)**

All parameters are specified at  $T_{MIN}$  to  $T_{MAX}$  (See [Table 3](#)),  $V_{IN} = V_{IN_{SW3x}} = 3.6\text{ V}$ ,  $V_{SW3x} = 1.5\text{ V}$ ,  $I_{SW3x} = 100\text{ mA}$ ,  $SW3x\_PWRSTG[2:0] = [111]$ , typical external component values,  $f_{SW3x} = 2.0\text{ MHz}$ , single/dual phase and independent mode unless, otherwise noted. Typical values are characterized at  $V_{IN} = V_{IN_{SW3x}} = 3.6\text{ V}$ ,  $V_{SW3x} = 1.5\text{ V}$ ,  $I_{SW3x} = 100\text{ mA}$ ,  $SW3x\_PWRSTG[2:0] = [111]$ , and  $25\text{ }^{\circ}\text{C}$ , unless otherwise noted.

| Symbol                                       | Parameter  | Min. | Typ. | Max. | Unit             | Notes |
|--|--|------|------|------|------------------|-------|
| <b>Switch Mode Supply SW3a/B (Continued)</b> |  |      |      |      |                  |       |
| $I_{SW3APQ}$                                 | SW3A P-MOSFET leakage current<br>• $V_{IN} = V_{IN_{SW3A}} = 4.5\text{ V}$ | –    | –    | 7.5  | $\mu\text{A}$    |       |
| $I_{SW3ANQ}$                                 | SW3A N-MOSFET leakage current<br>• $V_{IN} = V_{IN_{SW3A}} = 4.5\text{ V}$ | –    | –    | 2.5  | $\mu\text{A}$    |       |
| $R_{ON_{SW3BP}}$                             | SW3B P-MOSFET $R_{DS(on)}$<br>• at $V_{IN} = V_{IN_{SW3B}} = 3.3\text{ V}$ | –    | 215  | 245  | $\text{m}\Omega$ |       |
| $R_{ON_{SW3BN}}$                             | SW3B N-MOSFET $R_{DS(on)}$<br>• at $V_{IN} = V_{IN_{SW3B}} = 3.3\text{ V}$ | –    | 258  | 326  | $\text{m}\Omega$ |       |
| $I_{SW3BPQ}$                                 | SW3B P-MOSFET leakage current<br>• $V_{IN} = V_{IN_{SW3B}} = 4.5\text{ V}$ | –    | –    | 7.5  | $\mu\text{A}$    |       |
| $I_{SW3BNQ}$                                 | SW3B N-MOSFET leakage current<br>• $V_{IN} = V_{IN_{SW3B}} = 4.5\text{ V}$ | –    | –    | 2.5  | $\mu\text{A}$    |       |
| $R_{SW3xDIS}$                                | Discharge resistance   | –    | 600  | –    | $\Omega$         |       |

## Notes

55. When output is set to  $> 2.6\text{ V}$  the output follows the input down when  $V_{IN}$  gets near  $2.8\text{ V}$ .
56. The higher output voltages available depend on the voltage drop in the conduction path as given by the following equation:  
 $(V_{IN_{SW3x}} - V_{SW3x}) = I_{SW3x} * (\text{DCR of inductor} + R_{ON_{SW3xP}} + \text{PCB trace resistance})$ .

**Figure 24. SW3AB efficiency waveforms:  $V_{IN} = 4.2\text{ V}$ ;  $V_{OUT} = 1.5\text{ V}$ ; consumer version**

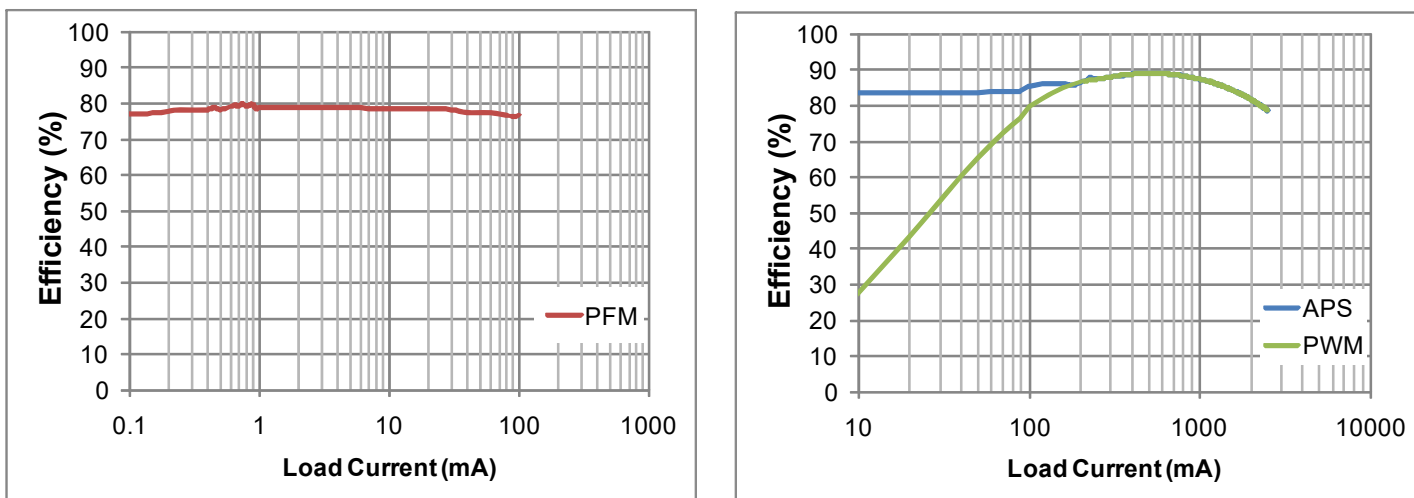


Figure 25. SW3AB efficiency waveforms:  $V_{IN} = 4.2\text{ V}$ ;  $V_{OUT} = 1.5\text{ V}$ ; extended industrial version

### 6.4.4.5 SW4

SW4 is a 1.0 A rated single phase buck regulator capable of operating in two modes. In its default mode, it operates as a normal buck regulator with a programmable output between 0.400 V and 3.300 V. It is capable of operating in the three available switching modes: PFM, APS, and PWM, described on Table 30 and configured by the SW4MODE[3:0] bits, as shown in Table 31.

If the system requires DDR memory termination, SW4 can be used in its VTT mode. In the VTT mode, its reference voltage tracks the output voltage of SW3A, scaled by 0.5. Furthermore, when in VTT mode, only the PWM switching mode is allowed. The VTT mode can be configured by use of VTT bit in the OTP\_SW4\_CONFIG register.

Figure 26 shows the block diagram and the external component connections for the SW4 regulator.

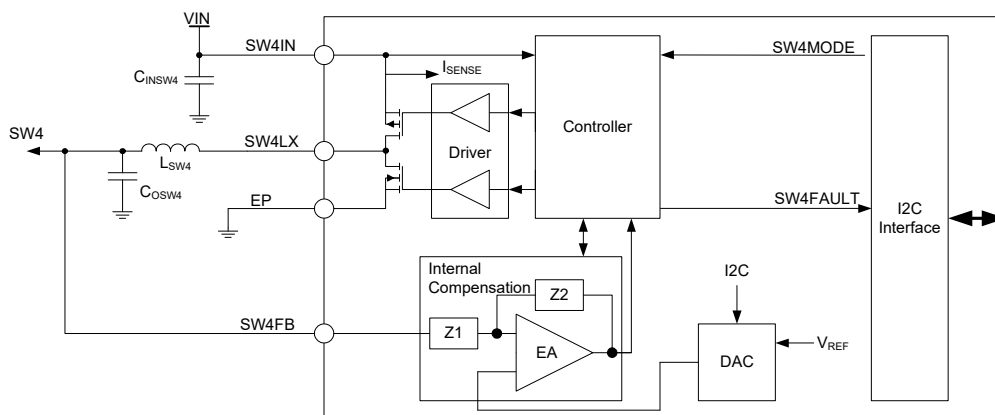


Figure 26. SW4 block diagram

#### 6.4.4.5.1 SW4 setup and control registers

To set the SW4 in regulator or VTT mode, bit VTT of the register OTP\_SW4\_CONF register in Table 137. Extended page 1, page 111, is programmed during OTP or TBB configuration; setting bit VTT to “1” enables SW4 to operate in VTT mode and “0” in regulator mode. See 6.1.2 One time programmability (OTP), page 21 for detailed information on OTP configuration.

In regulator mode, the SW4 output voltage is programmable from 0.400 V to 3.300 V; however, bit SW4[6] in the SW4VOLT register is read-only during normal operation. Its value is determined by the default configuration, or may be changed by using the OTP registers. Once SW4[6] is set to “0”, the output is limited to the lower output voltages, from 0.400 V to 1.975 V with 25 mV increments, as determined by the SW4[5:0] bits. Likewise, once the SW4[6] bit is set to “1”, the output voltage is limited to the higher output voltage range from 0.800 V to 3.300 V with 50 mV increments, as determined by the SW4[5:0] bits.

To optimize the performance of the regulator, it is recommended only voltages from 2.000 V to 3.300 V be used in the high range and the lower range be used for voltages from 0.400 V to 1.975 V.

The output voltage set point is independently programmed for normal, standby, and sleep mode by setting the SW4[5:0], SW4STBY[5:0], and SW4OFF[5:0] bits, respectively. However, the initial state of the SW4[6] bit is copied into bits SW4STBY[6], and SW4OFF[6] bits, so the output voltage range remains the same on all three operating modes. [Table 79](#) shows the output voltage coding valid for SW4.

**Note:** Voltage set points of 0.6 V and below are not supported, except in the VTT mode.

**Table 79. SW4 output voltage configuration**

| Low output voltage range <sup>(57)</sup> |          |            | High output voltage range |          |            |
|--|----------|------------|---------------------------|----------|------------|
| Set point                                | SW4[6:0] | SW4 output | Set point                 | SW4[6:0] | SW4 output |
| 0  | 0000000  | 0.4000     | 64                        | 1000000  | 0.8000     |
| 1  | 0000001  | 0.4250     | 65                        | 1000001  | 0.8500     |
| 2  | 0000010  | 0.4500     | 66                        | 1000010  | 0.9000     |
| 3  | 0000011  | 0.4750     | 67                        | 1000011  | 0.9500     |
| 4  | 0000100  | 0.5000     | 68                        | 1000100  | 1.0000     |
| 5  | 0000101  | 0.5250     | 69                        | 1000101  | 1.0500     |
| 6  | 0000110  | 0.5500     | 70                        | 1000110  | 1.1000     |
| 7  | 0000111  | 0.5750     | 71                        | 1000111  | 1.1500     |
| 8  | 0001000  | 0.6000     | 72                        | 1001000  | 1.2000     |
| 9  | 0001001  | 0.6250     | 73                        | 1001001  | 1.2500     |
| 10                                       | 0001010  | 0.6500     | 74                        | 1001010  | 1.3000     |
| 11                                       | 0001011  | 0.6750     | 75                        | 1001011  | 1.3500     |
| 12                                       | 0001100  | 0.7000     | 76                        | 1001100  | 1.4000     |
| 13                                       | 0001101  | 0.7250     | 77                        | 1001101  | 1.4500     |
| 14                                       | 0001110  | 0.7500     | 78                        | 1001110  | 1.5000     |
| 15                                       | 0001111  | 0.7750     | 79                        | 1001111  | 1.5500     |
| 16                                       | 0010000  | 0.8000     | 80                        | 1010000  | 1.6000     |
| 17                                       | 0010001  | 0.8250     | 81                        | 1010001  | 1.6500     |
| 18                                       | 0010010  | 0.8500     | 82                        | 1010010  | 1.7000     |
| 19                                       | 0010011  | 0.8750     | 83                        | 1010011  | 1.7500     |
| 20                                       | 0010100  | 0.9000     | 84                        | 1010100  | 1.8000     |
| 21                                       | 0010101  | 0.9250     | 85                        | 1010101  | 1.8500     |
| 22                                       | 0010110  | 0.9500     | 86                        | 1010110  | 1.9000     |
| 23                                       | 0010111  | 0.9750     | 87                        | 1010111  | 1.9500     |
| 24                                       | 0011000  | 1.0000     | 88                        | 1011000  | 2.0000     |
| 25                                       | 0011001  | 1.0250     | 89                        | 1011001  | 2.0500     |
| 26                                       | 0011010  | 1.0500     | 90                        | 1011010  | 2.1000     |
| 27                                       | 0011011  | 1.0750     | 91                        | 1011011  | 2.1500     |
| 28                                       | 0011100  | 1.1000     | 92                        | 1011100  | 2.2000     |
| 29                                       | 0011101  | 1.1250     | 93                        | 1011101  | 2.2500     |
| 30                                       | 0011110  | 1.1500     | 94                        | 1011110  | 2.3000     |
| 31                                       | 0011111  | 1.1750     | 95                        | 1011111  | 2.3500     |
| 32                                       | 0100000  | 1.2000     | 96                        | 1100000  | 2.4000     |
| 33                                       | 0100001  | 1.2250     | 97                        | 1100001  | 2.4500     |
| 34                                       | 0100010  | 1.2500     | 98                        | 1100010  | 2.5000     |

**Table 79. SW4 output voltage configuration (continued)**

| Low output voltage range <sup>(57)</sup> |          |            | High output voltage range |          |            |
|--|----------|------------|---------------------------|----------|------------|
| Set point                                | SW4[6:0] | SW4 output | Set point                 | SW4[6:0] | SW4 output |
| 35                                       | 0100011  | 1.2750     | 99                        | 1100011  | 2.5500     |
| 36                                       | 0100100  | 1.3000     | 100                       | 1100100  | 2.6000     |
| 37                                       | 0100101  | 1.3250     | 101                       | 1100101  | 2.6500     |
| 38                                       | 0100110  | 1.3500     | 102                       | 1100110  | 2.7000     |
| 39                                       | 0100111  | 1.3750     | 103                       | 1100111  | 2.7500     |
| 40                                       | 0101000  | 1.4000     | 104                       | 1101000  | 2.8000     |
| 41                                       | 0101001  | 1.4250     | 105                       | 1101001  | 2.8500     |
| 42                                       | 0101010  | 1.4500     | 106                       | 1101010  | 2.9000     |
| 43                                       | 0101011  | 1.4750     | 107                       | 1101011  | 2.9500     |
| 44                                       | 0101100  | 1.5000     | 108                       | 1101100  | 3.0000     |
| 45                                       | 0101101  | 1.5250     | 109                       | 1101101  | 3.0500     |
| 46                                       | 0101110  | 1.5500     | 110                       | 1101110  | 3.1000     |
| 47                                       | 0101111  | 1.5750     | 111                       | 1101111  | 3.1500     |
| 48                                       | 0110000  | 1.6000     | 112                       | 1110000  | 3.2000     |
| 49                                       | 0110001  | 1.6250     | 113                       | 1110001  | 3.2500     |
| 50                                       | 0110010  | 1.6500     | 114                       | 1110010  | 3.3000     |
| 51                                       | 0110011  | 1.6750     | 115                       | 1110011  | Reserved   |
| 52                                       | 0110100  | 1.7000     | 116                       | 1110100  | Reserved   |
| 53                                       | 0110101  | 1.7250     | 117                       | 1110101  | Reserved   |
| 54                                       | 0110110  | 1.7500     | 118                       | 1110110  | Reserved   |
| 55                                       | 0110111  | 1.7750     | 119                       | 1110111  | Reserved   |
| 56                                       | 0111000  | 1.8000     | 120                       | 1111000  | Reserved   |
| 57                                       | 0111001  | 1.8250     | 121                       | 1111001  | Reserved   |
| 58                                       | 0111010  | 1.8500     | 122                       | 1111010  | Reserved   |
| 59                                       | 0111011  | 1.8750     | 123                       | 1111011  | Reserved   |
| 60                                       | 0111100  | 1.9000     | 124                       | 1111100  | Reserved   |
| 61                                       | 0111101  | 1.9250     | 125                       | 1111101  | Reserved   |
| 62                                       | 0111110  | 1.9500     | 126                       | 1111110  | Reserved   |
| 63                                       | 0111111  | 1.9750     | 127                       | 1111111  | Reserved   |

**Notes**

57. For voltages less than 2.0 V, only use set points 0 to 63.

Full setup and control of SW4 is done through the I<sup>2</sup>C registers listed on [Table 80](#), and a detailed description of each one of the registers is provided in [Tables 81](#) to [Table 85](#).

**Table 80. SW4 register summary**

| Register | Address | Description                                  |
|----------|---------|--|
| SW4VOLT  | 0x4A    | Output voltage set point on normal operation |
| SW4STBY  | 0x4B    | Output voltage set point on standby          |
| SW4OFF   | 0x4C    | Output voltage set point on sleep            |
| SW4MODE  | 0x4D    | Switching mode selector register             |
| SW4CONF  | 0x4E    | DVS, phase, frequency and ILIM configuration |

**Table 81. Register SW4VOLT - ADDR 0x4A**

| Name   | Bit # | R/W | Default | Description  |
|--------|-------|-----|---------|--|
| SW4    | 5:0   | R/W | 0x00    | Sets the SW4 output voltage during normal operation mode. See <a href="#">Table 79</a> for all possible configurations.                                  |
| SW4    | 6     | R   | 0x00    | Sets the operating output voltage range for SW4. Set during OTP or TBB configuration only. See <a href="#">Table 79</a> for all possible configurations. |
| UNUSED | 7     | –   | 0x00    | unused   |

**Table 82. Register SW4STBY - ADDR 0x4B**

| Name    | Bit # | R/W | Default | Description  |
|---------|-------|-----|---------|--|
| SW4STBY | 5:0   | R/W | 0x00    | Sets the SW4 output voltage during standby mode. See <a href="#">Table 79</a> for all possible configurations.   |
| SW4STBY | 6     | R   | 0x00    | Sets the operating output voltage range for SW4 on standby mode. This bit inherits the value configured on bit SW4[6] during OTP or TBB configuration. See <a href="#">Table 79</a> for all possible configurations. |
| UNUSED  | 7     | –   | 0x00    | unused   |

**Table 83. Register SW4OFF - ADDR 0x4C**

| Name   | Bit # | R/W | Default | Description  |
|--------|-------|-----|---------|--|
| SW4OFF | 5:0   | R/W | 0x00    | Sets the SW4 output voltage during sleep mode. See <a href="#">Table 79</a> for all possible configurations.   |
| SW4OFF | 6     | R   | 0x00    | Sets the operating output voltage range for SW4 on sleep mode. This bit inherits the value configured on bit SW4[6] during OTP or TBB configuration. See <a href="#">Table 79</a> for all possible configurations. |
| UNUSED | 7     | –   | 0x00    | unused   |

**Table 84. Register SW4MODE - ADDR 0x4D**

| Name     | Bit # | R/W | Default | Description   |
|----------|-------|-----|---------|---|
| SW4MODE  | 3:0   | R/W | 0x08    | Sets the SW4 switching operation mode. See <a href="#">Table 30</a> for all possible configurations.                |
| UNUSED   | 4     | –   | 0x00    | unused  |
| SW4OMODE | 5     | R/W | 0x00    | Set status of SW4 when in sleep mode <ul style="list-style-type: none"> <li>• 0 = OFF</li> <li>• 1 = PFM</li> </ul> |
| UNUSED   | 7:6   | –   | 0x00    | unused  |

**Table 85. Register SW4CONF - ADDR 0x4E**

| Name        | Bit # | R/W | Default | Description   |
|-------------|-------|-----|---------|---|
| SW4ILIM     | 0     | R/W | 0x00    | SW4 current limit level selection <ul style="list-style-type: none"> <li>• 0 = High level current limit</li> <li>• 1 = Low level current limit</li> </ul> |
| UNUSED      | 1     | R/W | 0x00    | unused  |
| SW4FREQ     | 3:2   | R/W | 0x00    | SW4 switching frequency selector. See <a href="#">Table 38</a> .  |
| SW4PHASE    | 5:4   | R/W | 0x00    | SW4 phase clock selection. See <a href="#">Table 36</a> .   |
| SW4DVSSPEED | 7:6   | R/W | 0x00    | SW4 DVS speed selection. See <a href="#">Table 35</a> .   |

### 6.4.4.5.2 SW4 external components

**Table 86. SW4 external component requirements**

| Components                         | Description                    | Values         |
|------------------------------------|--------------------------------|----------------|
| C <sub>INSW4</sub> <sup>(58)</sup> | SW4 input capacitor            | 4.7 $\mu$ F    |
| C <sub>IN4HF</sub> <sup>(58)</sup> | SW4 decoupling input capacitor | 0.1 $\mu$ F    |
| C <sub>OSW4</sub> <sup>(58)</sup>  | SW4 output capacitor           | 3 x 22 $\mu$ F |
| L <sub>SW4</sub>                   | SW4 inductor                   | 1.0 $\mu$ H    |
| Notes                              |                                |                |
| 58. Use X5R or X7R capacitors      |                                |                |

### 6.4.4.5.3 SW4 specifications

**Table 87. SW4 electrical characteristics**

All parameters are specified at  $T_{MIN}$  to  $T_{MAX}$  (See Table 3),  $V_{IN} = VIN_{SW4} = 3.6\text{ V}$ ,  $V_{SW4} = 1.8\text{ V}$ ,  $I_{SW4} = 100\text{ mA}$ ,  $SW4\_PWRSTG[2:0] = [101]$ , typical external component values,  $f_{SW4} = 2.0\text{ MHz}$ , single/dual phase and independent mode unless, otherwise noted. Typical values are characterized at  $V_{IN} = VIN_{SW4} = 3.6\text{ V}$ ,  $V_{SW4} = 1.8\text{ V}$ ,  $I_{SW4} = 100\text{ mA}$ ,  $SW4\_PWRSTG[2:0] = [101]$ , and  $25\text{ }^{\circ}\text{C}$ , unless otherwise noted.

| Symbol                        | Parameter   | Min.                | Typ.                       | Max.             | Unit          | Notes |
|-------------------------------|---|---------------------|----------------------------|------------------|---------------|-------|
| <b>Switch mode supply SW4</b> |   |                     |                            |                  |               |       |
| $V_{IN_{SW4}}$                | Operating input voltage   | 2.8                 | –                          | 4.5              | V             | (59)  |
| $V_{SW4}$                     | Nominal output voltage <ul style="list-style-type: none"> <li>Normal operation</li> <li>VTT mode</li> </ul>   | –                   | Table 79<br>$V_{SW3AFB}/2$ | –                | V             |       |
| $V_{SW4ACC}$                  | Output voltage accuracy <ul style="list-style-type: none"> <li>PWM, APS, <math>2.8\text{ V} &lt; V_{IN} &lt; 4.5\text{ V}</math>, <math>0 &lt; I_{SW4} &lt; 1.0\text{ A}</math> <ul style="list-style-type: none"> <li><math>0.625\text{ V} &lt; V_{SW4} &lt; 0.85\text{ V}</math></li> <li><math>0.875\text{ V} &lt; V_{SW4} &lt; 1.975\text{ V}</math></li> <li><math>2.0\text{ V} &lt; V_{SW4} &lt; 3.3\text{ V}</math></li> </ul> </li> <li>PFM, steady state, <math>2.8\text{ V} &lt; V_{IN} &lt; 4.5\text{ V}</math>, <math>0 &lt; I_{SW4} &lt; 50\text{ mA}</math> <ul style="list-style-type: none"> <li><math>0.625\text{ V} &lt; V_{SW4} &lt; 0.675\text{ V}</math></li> <li><math>0.7\text{ V} &lt; V_{SW4} &lt; 0.85\text{ V}</math></li> <li><math>0.875\text{ V} &lt; V_{SW4} &lt; 1.975\text{ V}</math></li> <li><math>2.0\text{ V} &lt; V_{SW4} &lt; 3.3\text{ V}</math></li> </ul> </li> <li>VTT Mode, <math>2.8\text{ V} &lt; V_{IN} &lt; 4.5\text{ V}</math>, <math>0 &lt; I_{SW4} &lt; 1.0\text{ A}</math></li> </ul> | –25<br>–3.0<br>–6.0 | –<br>–<br>–                | 25<br>3.0<br>6.0 | mV<br>%<br>%  |       |
| $I_{SW4}$                     | Rated output load current <ul style="list-style-type: none"> <li><math>2.8\text{ V} &lt; V_{IN} &lt; 4.5\text{ V}</math>, <math>0.625\text{ V} &lt; V_{SW4} &lt; 3.3\text{ V}</math></li> </ul>   | –                   | –                          | 1000             | mA            | (60)  |
| $I_{SW4LIM}$                  | Current limiter peak current detection<br>Current through inductor <ul style="list-style-type: none"> <li><math>SW4ILIM = 0</math></li> <li><math>SW4ILIM = 1</math></li> </ul>   | 1.4<br>1.0          | 2.0<br>1.5                 | 3.0<br>2.4       | A             |       |
| $V_{SW4OSH}$                  | Start-up overshoot <ul style="list-style-type: none"> <li><math>I_{SW4} = 0.0\text{ mA}</math></li> <li>DVS clk = <math>25\text{ mV}/4\text{ }\mu\text{s}</math>, <math>V_{IN} = VIN_{SW4} = 4.5\text{ V}</math></li> </ul>   | –                   | –                          | 66               | mV            |       |
| $t_{ON_{SW4}}$                | Turn-on time <ul style="list-style-type: none"> <li>Enable to 90% of end value</li> <li><math>I_{SW4} = 0.0\text{ mA}</math></li> <li>DVS clk = <math>25\text{ mV}/4\text{ }\mu\text{s}</math>, <math>V_{IN} = VIN_{SW4} = 4.5\text{ V}</math></li> </ul>   | –                   | –                          | 500              | $\mu\text{s}$ |       |
| $f_{SW4}$                     | Switching frequency <ul style="list-style-type: none"> <li><math>SW4FREQ[1:0] = 00</math></li> <li><math>SW4FREQ[1:0] = 01</math></li> <li><math>SW4FREQ[1:0] = 10</math></li> </ul>  | –                   | 1.0<br>2.0<br>4.0          | –                | MHz           |       |
| $\eta_{SW4}$                  | Efficiency <ul style="list-style-type: none"> <li><math>f_{SW4} = 2.0\text{ MHz}</math>, <math>L_{SW4} = 1.0\text{ }\mu\text{H}</math> <ul style="list-style-type: none"> <li>PFM, 1.8 V, 1.0 mA</li> <li>PFM, 1.8 V, 50 mA</li> <li>APS, PWM 1.8 V, 200 mA</li> <li>APS, PWM 1.8 V, 500 mA</li> <li>APS, PWM 1.8 V, 1000 mA</li> </ul> </li> <li>PWM 0.75 V, 200 mA</li> <li>PWM 0.75 V, 500 mA</li> <li>PWM 0.75 V, 1000 mA</li> </ul>  | –                   | 81<br>78<br>87<br>88<br>83 | –                | %             |       |
| $\Delta V_{SW4}$              | Output ripple   | –                   | 10                         | –                | mV            |       |

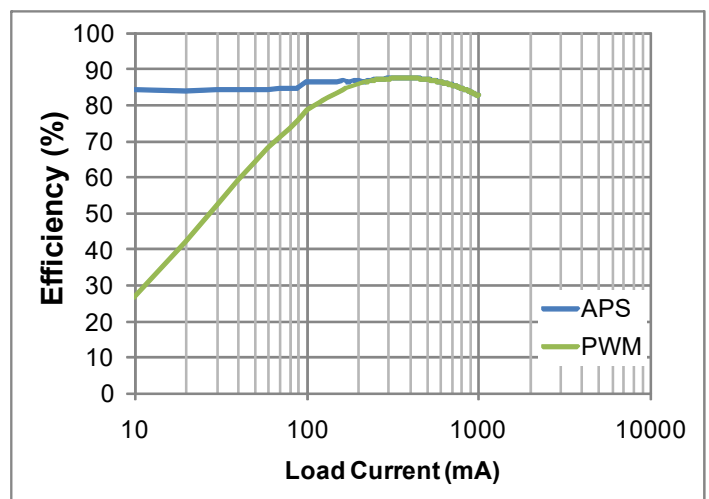
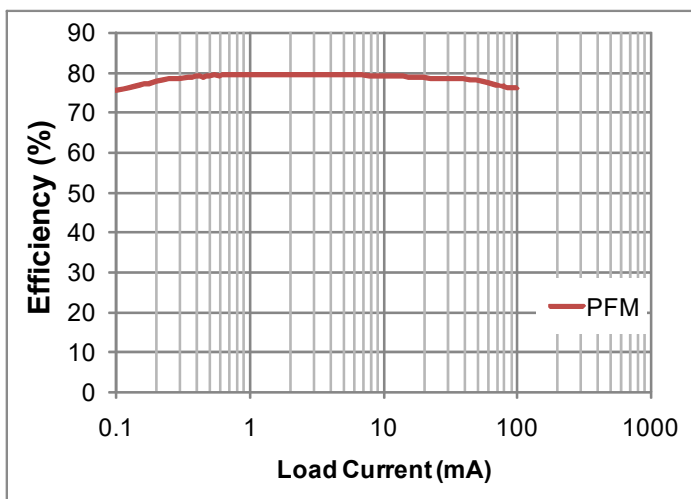
**Table 87. SW4 electrical characteristics (continued)**

All parameters are specified at  $T_{MIN}$  to  $T_{MAX}$  (See Table 3),  $V_{IN} = V_{IN_{SW4}} = 3.6\text{ V}$ ,  $V_{SW4} = 1.8\text{ V}$ ,  $I_{SW4} = 100\text{ mA}$ ,  $SW4\_PWRSTG[2:0] = [101]$ , typical external component values,  $f_{SW4} = 2.0\text{ MHz}$ , single/dual phase and independent mode unless, otherwise noted. Typical values are characterized at  $V_{IN} = V_{IN_{SW4}} = 3.6\text{ V}$ ,  $V_{SW4} = 1.8\text{ V}$ ,  $I_{SW4} = 100\text{ mA}$ ,  $SW4\_PWRSTG[2:0] = [101]$ , and  $25\text{ }^\circ\text{C}$ , unless otherwise noted.

| Symbol                                    | Parameter   | Min.   | Typ.      | Max.     | Unit             | Notes |
|---|---|--------|-----------|----------|------------------|-------|
| <b>Switch mode supply SW4 (continued)</b> |   |        |           |          |                  |       |
| $V_{SW4LIR}$                              | Line regulation (APS, PWM)  | -      | -         | 20       | mV               |       |
| $V_{SW4LOR}$                              | DC load regulation (APS, PWM)   | -      | -         | 20       | mV               |       |
| $V_{SW4LOTR}$                             | Transient load regulation<br><ul style="list-style-type: none"> <li>Transient load = 0.0 mA to 500 mA, <math>di/dt = 100\text{ mA}/\mu\text{s}</math></li> <li>Overshoot</li> <li>Undershoot</li> </ul> | -<br>- | -<br>-    | 50<br>50 | mV               |       |
| $I_{SW4Q}$                                | Quiescent current<br><ul style="list-style-type: none"> <li>PFM mode</li> <li>APS mode</li> </ul>   | -<br>- | 22<br>145 | -<br>-   | $\mu\text{A}$    |       |
| $R_{ON_{SW4P}}$                           | SW4 P-MOSFET $R_{DS(on)}$<br><ul style="list-style-type: none"> <li>at <math>V_{IN} = V_{IN_{SW4}} = 3.3\text{ V}</math></li> </ul>   | -      | 236       | 274      | $\text{m}\Omega$ |       |
| $R_{ON_{SW4N}}$                           | SW4 N-MOSFET $R_{DS(on)}$<br><ul style="list-style-type: none"> <li>at <math>V_{IN} = V_{IN_{SW4}} = 3.3\text{ V}</math></li> </ul>   | -      | 293       | 378      | $\text{m}\Omega$ |       |
| $I_{SW4PQ}$                               | SW4 P-MOSFET leakage current<br><ul style="list-style-type: none"> <li><math>V_{IN} = V_{IN_{SW4}} = 4.5\text{ V}</math></li> </ul>   | -      | -         | 6.0      | $\mu\text{A}$    |       |
| $I_{SW4NQ}$                               | SW4 N-MOSFET leakage current<br><ul style="list-style-type: none"> <li><math>V_{IN} = V_{IN_{SW4}} = 4.5\text{ V}</math></li> </ul>   | -      | -         | 2.0      | $\mu\text{A}$    |       |
| $R_{SW4DIS}$                              | Discharge resistance  | -      | 600       | -        | $\Omega$         |       |

Notes

- 59. When output is set to  $> 2.6\text{ V}$  the output follows the input down when  $V_{IN}$  gets near  $2.8\text{ V}$ .
- 60. The higher output voltages available depend on the voltage drop in the conduction path as given by the following equation:  
 $(V_{IN_{SW4}} - V_{SW4}) = I_{SW4} * (\text{DCR of inductor} + R_{ON_{SW4P}} + \text{PCB trace resistance})$ .



**Figure 27. SW4 efficiency waveforms:  $V_{IN} = 4.2\text{ V}$ ;  $V_{OUT} = 1.8\text{ V}$ ; consumer version**

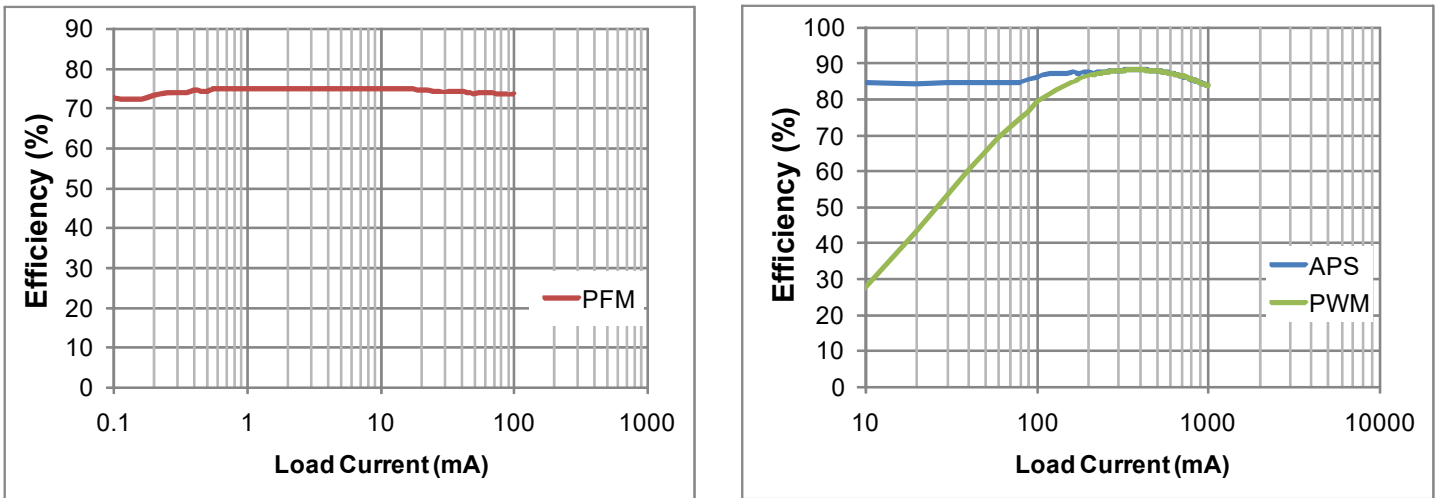


Figure 28. SW4 efficiency waveforms:  $V_{IN} = 4.2\text{ V}$ ;  $V_{OUT} = 1.8\text{ V}$ ; extended industrial version

### 6.4.5 Boost regulator

SWBST is a boost regulator with a programmable output from 5.0 V to 5.15 V. SWBST can supply the VUSB regulator for the USB PHY in OTG mode, as well as the VBUS voltage. Note that the parasitic leakage path for a boost regulator causes the SWBSTOUT and SWBSTFB voltage to be a Schottky drop below the input voltage whenever SWBST is disabled. The switching NMOS transistor is integrated on-chip. Figure 29 shows the block diagram and component connection for the boost regulator.

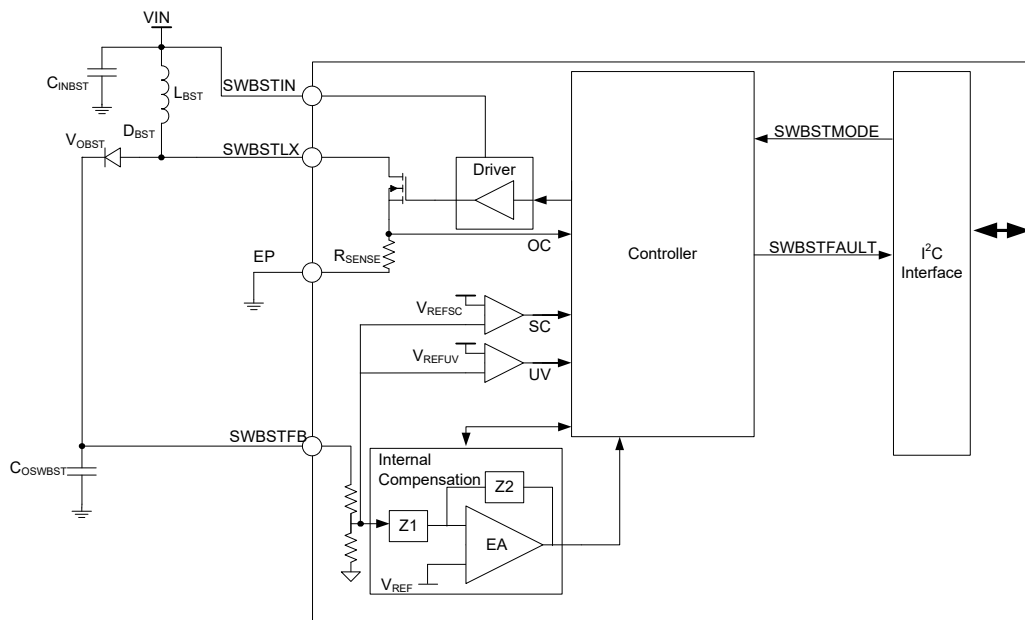


Figure 29. Boost regulator architecture

### 6.4.5.1 SWBST setup and control

Boost regulator control is done through a single register SWBSTCTL described in Table 88. SWBST is included in the power-up sequence if its OTP power-up timing bits, SWBST\_SEQ[4:0], are not all zeros.

**Table 88. Register SWBSTCTL - ADDR 0x66**

| Name           | Bit # | R/W | Default | Description   |
|----------------|-------|-----|---------|---|
| SWBST1VOLT     | 1:0   | R/W | 0x00    | Set the output voltage for SWBST <ul style="list-style-type: none"> <li>• 00 = 5.000 V</li> <li>• 01 = 5.050 V</li> <li>• 10 = 5.100 V</li> <li>• 11 = 5.150 V</li> </ul>                     |
| SWBST1MODE     | 3:2   | R   | 0x02    | Set the Switching mode on normal operation <ul style="list-style-type: none"> <li>• 00 = OFF</li> <li>• 01 = PFM</li> <li>• 10 = Auto (Default)<sup>(61)</sup></li> <li>• 11 = APS</li> </ul> |
| UNUSED         | 4     | –   | 0x00    | unused  |
| SWBST1STBYMODE | 6:5   | R/W | 0x02    | Set the switching mode on standby <ul style="list-style-type: none"> <li>• 00 = OFF</li> <li>• 01 = PFM</li> <li>• 10 = Auto (Default)<sup>(61)</sup></li> <li>• 11 = APS</li> </ul>          |
| UNUSED         | 7     | –   | 0x00    | unused  |

**Notes**

61. In auto mode, the controller automatically switches between PFM and APS modes depending on the load current. The SWBST regulator starts up by default in the auto mode if SWBST is part of the startup sequence.

### 6.4.5.2 SWBST external components

**Table 89. SWBST external component requirements**

| Components                           | Description                      | Values               |
|--------------------------------------|----------------------------------|----------------------|
| C <sub>INBST</sub> <sup>(62)</sup>   | SWBST input capacitor            | 10 μF                |
| C <sub>INBSTHF</sub> <sup>(62)</sup> | SWBST decoupling input capacitor | 0.1 μF               |
| C <sub>OBST</sub> <sup>(62)</sup>    | SWBST output capacitor           | 2 x 22 μF            |
| L <sub>SBST</sub>                    | SWBST inductor                   | 2.2 μH               |
| D <sub>BST</sub>                     | SWBST boost diode                | 1.0 A, 20 V Schottky |
| Notes                                |                                  |                      |
| 62. Use X5R or X7R capacitors.       |                                  |                      |

### 6.4.5.3 SWBST specifications

**Table 90. SWBST Electrical Specifications**

All parameters are specified at  $T_{MIN}$  to  $T_{MAX}$  (See Table 3),  $V_{IN} = V_{IN_{SWBST}} = 3.6\text{ V}$ ,  $V_{SWBST} = 5.0\text{ V}$ ,  $I_{SWBST} = 100\text{ mA}$ , typical external component values,  $f_{SWBST} = 2.0\text{ MHz}$ , otherwise noted. Typical values are characterized at  $V_{IN} = V_{IN_{SWBST}} = 3.6\text{ V}$ ,  $V_{SWBST} = 5.0\text{ V}$ ,  $I_{SWBST} = 100\text{ mA}$ , and  $25\text{ }^\circ\text{C}$ , unless otherwise noted.

| Symbol                          | Parameters  | Min.   | Typ.     | Max.       | Units         | Notes |
|---------------------------------|---|--------|----------|------------|---------------|-------|
| <b>Switch mode supply SWBST</b> |   |        |          |            |               |       |
| $V_{IN_{SWBST}}$                | Input voltage range   | 2.8    | –        | 4.5        | V             |       |
| $V_{SWBST}$                     | Nominal output voltage  | –      | Table 88 | –          | V             |       |
| $V_{SWBSTACC}$                  | Output voltage accuracy<br>• $2.8\text{ V} \leq V_{IN} \leq 4.5\text{ V}$<br>• $0 < I_{SWBST} < I_{SWBST_{MAX}}$                                      | -4.0   | –        | 3.0        | %             |       |
| $\Delta V_{SWBST}$              | Output ripple<br>• $2.8\text{ V} \leq V_{IN} \leq 4.5\text{ V}$<br>• $0 < I_{SWBST} < I_{SWBST_{MAX}}$ , excluding reverse recovery of Schottky diode | –      | –        | 120        | mV Vp-p       |       |
| $V_{SWBSTLOR}$                  | DC load regulation<br>• $0 < I_{SWBST} < I_{SWBST_{MAX}}$   | –      | 0.5      | –          | mV/mA         |       |
| $V_{SWBSTLIR}$                  | DC line regulation<br>• $2.8\text{ V} \leq V_{IN} \leq 4.5\text{ V}$ , $I_{SWBST} = I_{SWBST_{MAX}}$  | –      | 50       | –          | mV            |       |
| $I_{SWBST}$                     | Continuous load current<br>• $2.8\text{ V} \leq V_{IN} \leq 3.0\text{ V}$<br>• $3.0\text{ V} \leq V_{IN} \leq 4.5\text{ V}$                           | –<br>– | –<br>–   | 500<br>600 | mA            |       |
| $I_{SWBSTQ}$                    | Quiescent current<br>• Auto   | –      | 222      | 289        | $\mu\text{A}$ |       |
| $R_{DS_{ON_{BST}}}$             | MOSFET on resistance  | –      | 206      | 306        | m $\Omega$    |       |
| $I_{SWBSTLIM}$                  | Peak current limit  | 1400   | 2200     | 3200       | mA            | (63)  |
| $V_{SWBSTOSH}$                  | Start-up overshoot<br>• $I_{SWBST} = 0.0\text{ mA}$   | –      | –        | 500        | mV            |       |
| $V_{SWBSTTR}$                   | Transient load response<br>• $I_{SWBST}$ from 1.0 mA to 100 mA in 1.0 $\mu\text{s}$<br>• Maximum transient amplitude                                  | –      | –        | 300        | mV            |       |
| $V_{SWBSTTR}$                   | Transient load response<br>• $I_{SWBST}$ from 100 mA to 1.0 mA in 1.0 $\mu\text{s}$<br>• Maximum transient amplitude                                  | –      | –        | 300        | mV            |       |
| $t_{SWBSTTR}$                   | Transient load response<br>• $I_{SWBST}$ from 1.0 mA to 100 mA in 1.0 $\mu\text{s}$<br>• Time to settle 80% of transient                              | –      | –        | 500        | $\mu\text{s}$ |       |
| $t_{SWBSTTR}$                   | Transient load response<br>• $I_{SWBST}$ from 100 mA to 1.0 mA in 1.0 $\mu\text{s}$<br>• Time to settle 80% of transient                              | –      | –        | 20         | ms            |       |
| $I_{SWBSTHSQ}$                  | NMOS Off leakage<br>• $SWBSTIN = 4.5\text{ V}$ , $SWBSTMODE [1:0] = 00$   | –      | 1.0      | 5.0        | $\mu\text{A}$ |       |
| $t_{ON_{SWBST}}$                | Turn-on time<br>• Enable to 90% of $V_{SWBST}$ , $I_{SWBST} = 0.0\text{ mA}$  | –      | –        | 2.0        | ms            |       |
| $f_{SWBST}$                     | Switching frequency   | –      | 2.0      | –          | MHz           |       |
| $\eta_{SWBST}$                  | Efficiency<br>• $I_{SWBST} = I_{SWBST_{MAX}}$   | –      | 86       | –          | %             |       |

Notes

63. Only in auto mode.

### 6.4.6 LDO regulators description

This section describes the LDO regulators provided by the PF0100. All regulators use the main bandgap as reference. Refer to [6.3 Bias and references block description, page 24](#) for further information on the internal reference voltages.

A low-power mode is automatically activated by reducing bias currents when the load current is less than  $I_{Lmax}/5$ . However, the lowest bias currents may be attained by forcing the part into its low-power mode by setting the VGENxLPWR bit. The use of this bit is only recommended when the load is expected to be less than  $I_{Lmax}/50$ , otherwise performance may be degraded.

When a regulator is disabled, the output is discharged by an internal pull-down. The pull-down is also activated when RESETBMCU is low.

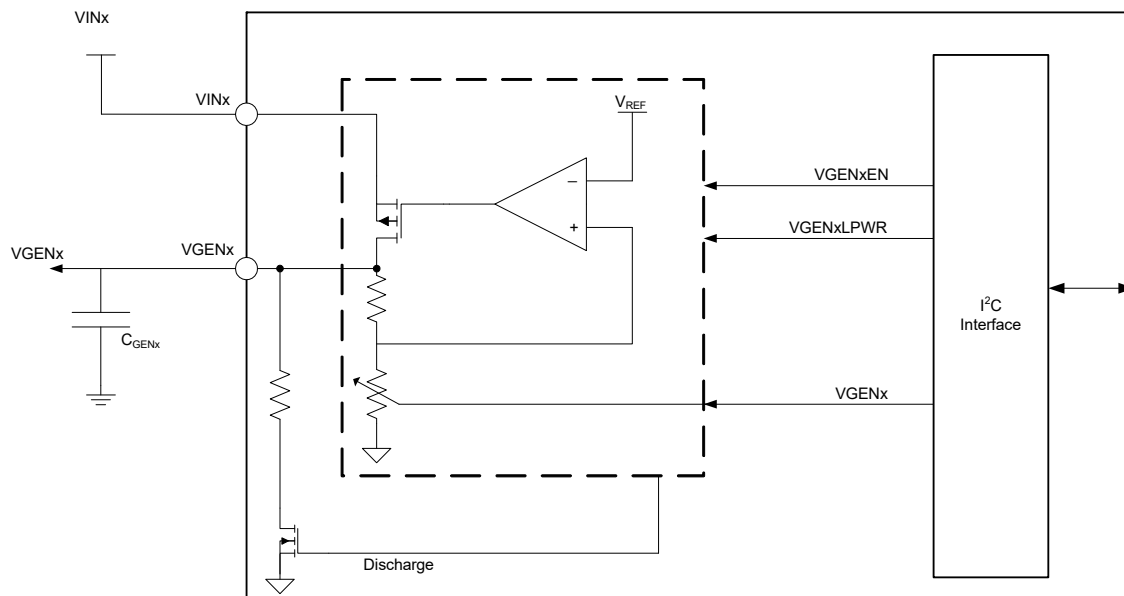


Figure 30. General LDO block diagram

#### 6.4.6.1 Transient response waveforms

Idealized stimulus and response waveforms for transient line and transient load tests are depicted in [Figure 31](#). Note that the transient line and load response refers to the overshoot, or undershoot only, excluding the DC shift.

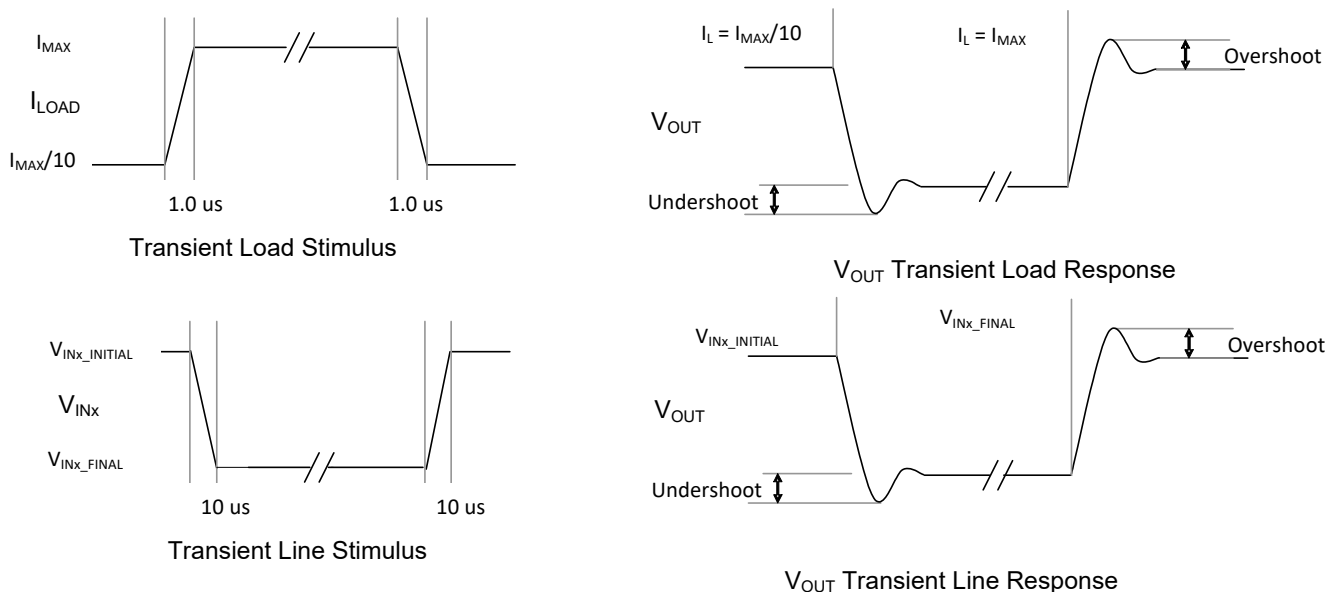


Figure 31. Transient waveforms

### 6.4.6.2 Short-circuit protection

All general purpose LDOs have short-circuit protection capability. The short-circuit protection (SCP) system includes debounced fault condition detection, regulator shutdown, and processor interrupt generation, to contain failures and minimize the chance of product damage. If a short-circuit condition is detected, the LDO is disabled by resetting its VGENxEN bit, while at the same time, an interrupt VGENxFAULTI is generated to flag the fault to the system processor. The VGENxFAULTI interrupt is maskable through the VGENxFAULTM mask bit.

The SCP feature is enabled by setting the REGSCPEN bit. If this bit is not set, the regulators do not automatically disable upon a short-circuit detection. However, the current limiter continues to limit the output current of the regulator. By default, the REGSCPEN is not set; therefore, at start-up none of the regulators is disabled if an overloaded condition occurs. A fault interrupt, VGENxFAULTI, is generated in an overload condition regardless of the state of the REGSCPEN bit. See [Table 91](#) for SCP behavior configuration.

**Table 91. Short-circuit behavior**

| REGSCPEN[0] | Short-circuit behavior |
|-------------|------------------------|
| 0           | Current limit          |
| 1           | Shutdown               |

### 6.4.6.3 LDO regulator control

Each LDO is fully controlled through its respective VGENxCTL register. This register enables the user to set the LDO output voltage according to [Table 92](#) for VGEN1 and VGEN2; and uses the voltage set point on [Table 93](#) for VGEN3 through VGEN6.

**Table 92. VGEN1, VGEN2 output voltage configuration**

| Set point | VGENx[3:0] | VGENx output (V) |
|-----------|------------|------------------|
| 0         | 0000       | 0.800            |
| 1         | 0001       | 0.850            |
| 2         | 0010       | 0.900            |
| 3         | 0011       | 0.950            |
| 4         | 0100       | 1.000            |
| 5         | 0101       | 1.050            |
| 6         | 0110       | 1.100            |
| 7         | 0111       | 1.150            |
| 8         | 1000       | 1.200            |
| 9         | 1001       | 1.250            |
| 10        | 1010       | 1.300            |
| 11        | 1011       | 1.350            |
| 12        | 1100       | 1.400            |
| 13        | 1101       | 1.450            |
| 14        | 1110       | 1.500            |
| 15        | 1111       | 1.550            |

**Table 93. VGEN3/ 4/ 5/ 6 output voltage configuration**

| Set point | VGENx[3:0] | VGENx output (V) |
|-----------|------------|------------------|
| 0         | 0000       | 1.80             |
| 1         | 0001       | 1.90             |
| 2         | 0010       | 2.00             |

**Table 93. VGEN3/ 4/ 5/ 6 output voltage configuration (continued)**

| Set point | VGENx[3:0] | VGENx output (V) |
|-----------|------------|------------------|
| 3         | 0011       | 2.10             |
| 4         | 0100       | 2.20             |
| 5         | 0101       | 2.30             |
| 6         | 0110       | 2.40             |
| 7         | 0111       | 2.50             |
| 8         | 1000       | 2.60             |
| 9         | 1001       | 2.70             |
| 10        | 1010       | 2.80             |
| 11        | 1011       | 2.90             |
| 12        | 1100       | 3.00             |
| 13        | 1101       | 3.10             |
| 14        | 1110       | 3.20             |
| 15        | 1111       | 3.30             |

Besides the output voltage configuration, the LDOs can be enabled or disabled at anytime during normal mode operation, as well as programmed to stay “ON” or be disabled when the PMIC enters Standby mode. Each regulator has associated I<sup>2</sup>C bits for this. [Table 94](#) presents a summary of all valid combinations of the control bits on VGENxCTL register and the expected behavior of the LDO output.

**Table 94. LDO control**

| VGENxEN | VGENxLPWR | VGENxSTBY | STANDBY <sup>(64)</sup> | VGENxOUT  |
|---------|-----------|-----------|-------------------------|-----------|
| 0       | X         | X         | X                       | Off       |
| 1       | 0         | 0         | X                       | On        |
| 1       | 1         | 0         | X                       | Low power |
| 1       | X         | 1         | 0                       | On        |
| 1       | 0         | 1         | 1                       | Off       |
| 1       | 1         | 1         | 1                       | Low power |

## Notes

64. STANDBY refers to a standby event as described earlier.

For more detail information, [Table 95](#) through [Table 100](#) provide a description of all registers necessary to operate all six general purpose LDO regulators.

**Table 95. Register VGEN1CTL - ADDR 0x6C**

| Name      | Bit # | R/W | Default | Description  |
|-----------|-------|-----|---------|--|
| VGEN1     | 3:0   | R/W | 0x80    | Sets VGEN1 output voltage. See <a href="#">Table 92</a> for all possible configurations. |
| VGEN1EN   | 4     | –   | 0x00    | Enables or disables VGEN1 output<br>• 0 = OFF<br>• 1 = ON                                |
| VGEN1STBY | 5     | R/W | 0x00    | Set VGEN1 output state when in standby. Refer to <a href="#">Table 94</a> .              |
| VGEN1LPWR | 6     | R/W | 0x00    | Enable low-power mode for VGEN1. Refer to <a href="#">Table 94</a> .                     |
| UNUSED    | 7     | –   | 0x00    | unused   |

**Table 96. Register VGEN2CTL - ADDR 0x6D**

| Name      | Bit # | R/W | Default | Description   |
|-----------|-------|-----|---------|---|
| VGEN2     | 3:0   | R/W | 0x80    | Sets VGEN2 output voltage.<br>See <a href="#">Table 92</a> for all possible configurations. |
| VGEN2EN   | 4     | –   | 0x00    | Enables or disables VGEN2 output<br>• 0 = OFF<br>• 1 = ON                                   |
| VGEN2STBY | 5     | R/W | 0x00    | Set VGEN2 output state when in standby. Refer to <a href="#">Table 94</a> .                 |
| VGEN2LPWR | 6     | R/W | 0x00    | Enable low-power mode for VGEN2. Refer to <a href="#">Table 94</a> .                        |
| UNUSED    | 7     | –   | 0x00    | unused  |

**Table 97. Register VGEN3CTL - ADDR 0x6E**

| Name      | Bit # | R/W | Default | Description   |
|-----------|-------|-----|---------|---|
| VGEN3     | 3:0   | R/W | 0x80    | Sets VGEN3 output voltage.<br>See <a href="#">Table 93</a> for all possible configurations. |
| VGEN3EN   | 4     | –   | 0x00    | Enables or disables VGEN3 output<br>• 0 = OFF<br>• 1 = ON                                   |
| VGEN3STBY | 5     | R/W | 0x00    | Set VGEN3 output state when in standby. Refer to <a href="#">Table 94</a> .                 |
| VGEN3LPWR | 6     | R/W | 0x00    | Enable low-power mode for VGEN3. Refer to <a href="#">Table 94</a> .                        |
| UNUSED    | 7     | –   | 0x00    | unused  |

**Table 98. Register VGEN4CTL - ADDR 0x6F**

| Name      | Bit # | R/W | Default | Description   |
|-----------|-------|-----|---------|---|
| VGEN4     | 3:0   | R/W | 0x80    | Sets VGEN4 output voltage.<br>See <a href="#">Table 93</a> for all possible configurations. |
| VGEN4EN   | 4     | –   | 0x00    | Enables or disables VGEN4 output<br>• 0 = OFF<br>• 1 = ON                                   |
| VGEN4STBY | 5     | R/W | 0x00    | Set VGEN4 output state when in standby. Refer to <a href="#">Table 94</a> .                 |
| VGEN4LPWR | 6     | R/W | 0x00    | Enable low-power mode for VGEN4. Refer to <a href="#">Table 94</a> .                        |
| UNUSED    | 7     | –   | 0x00    | unused  |

**Table 99. Register VGEN5CTL - ADDR 0x70**

| Name      | Bit # | R/W | Default | Description  |
|-----------|-------|-----|---------|--|
| VGEN5     | 3:0   | R/W | 0x80    | Sets VGEN5 output voltage. See <a href="#">Table 93</a> for all possible configurations.                       |
| VGEN5EN   | 4     | –   | 0x00    | Enables or disables VGEN5 output <ul style="list-style-type: none"> <li>• 0 = OFF</li> <li>• 1 = ON</li> </ul> |
| VGEN5STBY | 5     | R/W | 0x00    | Set VGEN5 output state when in standby. Refer to <a href="#">Table 94</a> .                                    |
| VGEN5LPWR | 6     | R/W | 0x00    | Enable low-power mode for VGEN5. Refer to <a href="#">Table 94</a> .   |
| UNUSED    | 7     | –   | 0x00    | unused   |

**Table 100. Register VGEN6CTL - ADDR 0x71**

| Name      | Bit # | R/W | Default | Description  |
|-----------|-------|-----|---------|--|
| VGEN6     | 3:0   | R/W | 0x80    | Sets VGEN6 output voltage. See <a href="#">Table 93</a> for all possible configurations.                       |
| VGEN6EN   | 4     | –   | 0x00    | Enables or disables VGEN6 output <ul style="list-style-type: none"> <li>• 0 = OFF</li> <li>• 1 = ON</li> </ul> |
| VGEN6STBY | 5     | R/W | 0x00    | Set VGEN6 output state when in standby. Refer to <a href="#">Table 94</a> .                                    |
| VGEN6LPWR | 6     | R/W | 0x00    | Enable low-power mode for VGEN6. Refer to <a href="#">Table 94</a> .   |
| UNUSED    | 7     | –   | 0x00    | unused   |

### 6.4.6.4 External components

[Table 101](#) lists the typical component values for the general purpose LDO regulators.

**Table 101. LDO external components**

| Regulator | Output capacitor ( $\mu\text{F}$ ) <sup>(65)</sup> |
|-----------|--|
| VGEN1     | 2.2  |
| VGEN2     | 4.7  |
| VGEN3     | 2.2  |
| VGEN4     | 4.7  |
| VGEN5     | 2.2  |
| VGEN6     | 2.2  |

Notes

65. Use X5R/X7R ceramic capacitors.

## 6.4.6.5 LDO specifications

### 6.4.6.5.1 VGEN1

**Table 102. VGEN1 electrical characteristics**

All parameters are specified at  $T_{MIN}$  to  $T_{MAX}$  (See Table 3),  $V_{IN} = 3.6$  V,  $V_{IN1} = 3.0$  V,  $V_{GEN1}[3:0] = 1111$ ,  $I_{GEN1} = 10$  mA, typical external component values, unless otherwise noted. Typical values are characterized at  $V_{IN} = 3.6$  V,  $V_{IN1} = 3.0$  V,  $V_{GEN1}[3:0] = 1111$ ,  $I_{GEN1} = 10$  mA, and 25 °C, unless otherwise noted.

| Symbol                        | Parameter   | Min.        | Typ.                 | Max.                 | Unit        | Notes |
|-------------------------------|---|-------------|----------------------|----------------------|-------------|-------|
| <b>VGEN1</b>                  |   |             |                      |                      |             |       |
| $V_{IN1}$                     | Operating input voltage   | 1.75        | –                    | 3.40                 | V           |       |
| $V_{GEN1NOM}$                 | Nominal output voltage  | –           | Table 92             | –                    | V           |       |
| $I_{GEN1}$                    | Operating load current  | 0.0         | –                    | 100                  | mA          |       |
| <b>VGEN1 DC</b>               |   |             |                      |                      |             |       |
| $V_{GEN1TOL}$                 | Output voltage tolerance<br><ul style="list-style-type: none"> <li>• <math>1.75</math> V &lt; <math>V_{IN1}</math> &lt; <math>3.4</math> V</li> <li>• <math>0.0</math> mA &lt; <math>I_{GEN1}</math> &lt; <math>100</math> mA</li> <li>• <math>V_{GEN1}[3:0] = 0000</math> to <math>1111</math></li> </ul>                                      | –3.0        | –                    | 3.0                  | %           |       |
| $V_{GEN1LOR}$                 | Load regulation<br><ul style="list-style-type: none"> <li>• (<math>V_{GEN1}</math> at <math>I_{GEN1} = 100</math> mA) - (<math>V_{GEN1}</math> at <math>I_{GEN1} = 0.0</math> mA)</li> <li>• For any <math>1.75</math> V &lt; <math>V_{IN1}</math> &lt; <math>3.4</math> V</li> </ul>   | –           | 0.15                 | –                    | mV/mA       |       |
| $V_{GEN1LIR}$                 | Line regulation<br><ul style="list-style-type: none"> <li>• (<math>V_{GEN1}</math> at <math>V_{IN1} = 3.4</math> V) - (<math>V_{GEN1}</math> at <math>V_{IN1} = 1.75</math> V)</li> <li>• For any <math>0.0</math> mA &lt; <math>I_{GEN1}</math> &lt; <math>100</math> mA</li> </ul>  | –           | 0.30                 | –                    | mV/mA       |       |
| $I_{GEN1LIM}$                 | Current limit<br><ul style="list-style-type: none"> <li>• <math>I_{GEN1}</math> when VGEN1 is forced to <math>V_{GEN1NOM}/2</math></li> </ul>   | 122         | 167                  | 200                  | mA          |       |
| $I_{GEN1OCP}$                 | Overcurrent protection threshold<br><ul style="list-style-type: none"> <li>• <math>I_{GEN1}</math> required to cause the SCP function to disable LDO when <math>REGSCPEN = 1</math></li> </ul>  | 115         | –                    | 200                  | mA          |       |
| $I_{GEN1Q}$                   | Quiescent current<br><ul style="list-style-type: none"> <li>• No load, change in <math>V_{IN}</math> and <math>V_{IN1}</math></li> <li>• When VGEN1 enabled</li> </ul>  | –           | 14                   | –                    | μA          |       |
| <b>VGEN1 AC and transient</b> |   |             |                      |                      |             |       |
| $PSRR_{VGEN1}$                | PSRR<br><ul style="list-style-type: none"> <li>• <math>I_{GEN1} = 75</math> mA, 20 Hz to 20 kHz</li> <li>• <math>V_{GEN1}[3:0] = 0000 - 1101</math></li> <li>• <math>V_{GEN1}[3:0] = 1110, 1111</math></li> </ul>   | 50<br>37    | 60<br>45             | –<br>–               | dB          | (66)  |
| $NOISE_{VGEN1}$               | Output noise density<br><ul style="list-style-type: none"> <li>• <math>V_{IN1} = 1.75</math> V, <math>I_{GEN1} = 75</math> mA</li> <li>• 100 Hz – &lt;1.0 kHz</li> <li>• 1.0 kHz – &lt;10 kHz</li> <li>• 10 kHz – 1.0 MHz</li> </ul>  | –<br>–<br>– | –108<br>–118<br>–124 | –100<br>–108<br>–112 | dBV/<br>√Hz |       |
| $SLWR_{VGEN1}$                | Turn-on slew rate<br><ul style="list-style-type: none"> <li>• 10% to 90% of end value</li> <li>• <math>1.75</math> V ≤ <math>V_{IN1}</math> ≤ <math>3.4</math> V, <math>I_{GEN1} = 0.0</math> mA</li> <li>• <math>V_{GEN1}[3:0] = 0000</math> to <math>0111</math></li> <li>• <math>V_{GEN1}[3:0] = 1000</math> to <math>1111</math></li> </ul> | –<br>–      | –<br>–               | 12.5<br>16.5         | mV/μs       |       |
| $GEN1_{tON}$                  | Turn-on time<br><ul style="list-style-type: none"> <li>• Enable to 90% of end value, <math>V_{IN1} = 1.75</math> V, <math>3.4</math> V</li> <li>• <math>I_{GEN1} = 0.0</math> mA</li> </ul>   | 60          | –                    | 500                  | μs          |       |

**Table 102. VGEN1 electrical characteristics (continued)**

All parameters are specified at  $T_{MIN}$  to  $T_{MAX}$  (See [Table 3](#)),  $V_{IN} = 3.6\text{ V}$ ,  $V_{IN1} = 3.0\text{ V}$ ,  $V_{GEN1}[3:0] = 1111$ ,  $I_{GEN1} = 10\text{ mA}$ , typical external component values, unless otherwise noted. Typical values are characterized at  $V_{IN} = 3.6\text{ V}$ ,  $V_{IN1} = 3.0\text{ V}$ ,  $V_{GEN1}[3:0] = 1111$ ,  $I_{GEN1} = 10\text{ mA}$ , and  $25\text{ }^{\circ}\text{C}$ , unless otherwise noted.

| Symbol                                    | Parameter  | Min. | Typ. | Max. | Unit | Notes |
|---|--|------|------|------|------|-------|
| <b>VGEN1 AC and transient (continued)</b> |  |      |      |      |      |       |
| $GEN1_{tOFF}$                             | Turn-off time <ul style="list-style-type: none"> <li>Disable to 10% of initial value, <math>V_{IN1} = 1.75\text{ V}</math></li> <li><math>I_{GEN1} = 0.0\text{ mA}</math></li> </ul>   | –    | –    | 10   | ms   |       |
| $GEN1_{OSHT}$                             | Start-up overshoot <ul style="list-style-type: none"> <li><math>V_{IN1} = 1.75\text{ V}</math>, <math>3.4\text{ V}</math>, <math>I_{GEN1} = 0.0\text{ mA}</math></li> </ul>  | –    | 1.0  | 2.0  | %    |       |
| $V_{GEN1LOTR}$                            | Transient load response <ul style="list-style-type: none"> <li><math>V_{IN1} = 1.75\text{ V}</math>, <math>3.4\text{ V}</math></li> <li><math>I_{GEN1} = 10\text{ mA}</math> to <math>100\text{ mA}</math> in <math>1.0\text{ }\mu\text{s}</math>. Peak of overshoot or undershoot of VGEN1 with respect to final value</li> <li>Refer to <a href="#">Figure 31</a></li> </ul>   | –    | –    | 3.0  | %    |       |
| $V_{GEN1LITR}$                            | Transient line response <ul style="list-style-type: none"> <li><math>I_{GEN1} = 75\text{ mA}</math></li> <li><math>V_{IN1_{INITIAL}} = 1.75\text{ V}</math> to <math>V_{IN1_{FINAL}} = 2.25\text{ V}</math> for <math>V_{GEN1}[3:0] = 0000</math> to <math>1101</math></li> <li><math>V_{IN1_{INITIAL}} = V_{GEN1} + 0.3\text{ V}</math> to <math>V_{IN1_{FINAL}} = V_{GEN1} + 0.8\text{ V}</math> for <math>V_{GEN1}[3:0] = 1110</math>, <math>1111</math></li> <li>Refer to <a href="#">Figure 31</a></li> </ul> | –    | 5.0  | 8.0  | mV   |       |

## Notes

66. The PSRR of the regulators is measured with the perturbing signal at the input of the regulator. The power management IC is supplied separately from the input of the regulator and does not contain the perturbed signal. During measurements, care must be taken not to operate in the dropout region of the regulator under test.

## 6.4.6.5.2 VGEN2

**Table 103. VGEN2 electrical characteristics**

All parameters are specified at  $T_{MIN}$  to  $T_{MAX}$  (See [Table 3](#)),  $V_{IN} = 3.6\text{ V}$ ,  $V_{IN1} = 3.0\text{ V}$ ,  $V_{GEN2}[3:0] = 1111$ ,  $I_{GEN2} = 10\text{ mA}$ , typical external component values, unless otherwise noted. Typical values are characterized at  $V_{IN} = 3.6\text{ V}$ ,  $V_{IN1} = 3.0\text{ V}$ ,  $V_{GEN2}[3:0] = 1111$ ,  $I_{GEN2} = 10\text{ mA}$  and  $25\text{ }^{\circ}\text{C}$ , unless otherwise noted.

| Symbol                        | Parameter  | Min. | Typ.                     | Max. | Unit  | Notes |
|-------------------------------|--|------|--------------------------|------|-------|-------|
| <b>VGEN2</b>                  |  |      |                          |      |       |       |
| $V_{IN1}$                     | Operating input voltage  | 1.75 | –                        | 3.40 | V     |       |
| $V_{GEN2_{NOM}}$              | Nominal output voltage   | –    | <a href="#">Table 92</a> | –    | V     |       |
| $I_{GEN2}$                    | Operating load current   | 0.0  | –                        | 250  | mA    |       |
| <b>VGEN2 active mode - DC</b> |  |      |                          |      |       |       |
| $V_{GEN2TOL}$                 | Output voltage tolerance <ul style="list-style-type: none"> <li><math>1.75\text{ V} &lt; V_{IN1} &lt; 3.4\text{ V}</math></li> <li><math>0.0\text{ mA} &lt; I_{GEN2} &lt; 250\text{ mA}</math></li> <li><math>V_{GEN2}[3:0] = 0000</math> to <math>1111</math></li> </ul>        | -3.0 | –                        | 3.0  | %     |       |
| $V_{GEN2LOR}$                 | Load regulation <ul style="list-style-type: none"> <li><math>(V_{GEN2}</math> at <math>I_{GEN2} = 250\text{ mA}</math>) - <math>(V_{GEN2}</math> at <math>I_{GEN2} = 0.0\text{ mA})</math></li> <li>For any <math>1.75\text{ V} &lt; V_{IN1} &lt; 3.4\text{ V}</math></li> </ul> | –    | 0.05                     | –    | mV/mA |       |
| $V_{GEN2LIR}$                 | Line regulation <ul style="list-style-type: none"> <li><math>(V_{GEN2}</math> at <math>V_{IN1} = 3.4\text{ V}</math>) - <math>(V_{GEN2}</math> at <math>V_{IN1} = 1.75\text{ V})</math></li> <li>For any <math>0.0\text{ mA} &lt; I_{GEN2} &lt; 250\text{ mA}</math></li> </ul>  | –    | 0.50                     | –    | mV/mA |       |

**Table 103. VGEN2 electrical characteristics**

All parameters are specified at  $T_{MIN}$  to  $T_{MAX}$  (See [Table 3](#)),  $V_{IN} = 3.6\text{ V}$ ,  $V_{IN1} = 3.0\text{ V}$ ,  $V_{GEN2}[3:0] = 1111$ ,  $I_{GEN2} = 10\text{ mA}$ , typical external component values, unless otherwise noted. Typical values are characterized at  $V_{IN} = 3.6\text{ V}$ ,  $V_{IN1} = 3.0\text{ V}$ ,  $V_{GEN2}[3:0] = 1111$ ,  $I_{GEN2} = 10\text{ mA}$  and  $25\text{ }^{\circ}\text{C}$ , unless otherwise noted.

| Symbol                                    | Parameter  | Min.       | Typ.       | Max.       | Unit          | Notes |
|---|--|------------|------------|------------|---------------|-------|
| <b>VGEN2 active mode - DC (continued)</b> |  |            |            |            |               |       |
| $I_{GEN2LIM}$                             | Current limit <ul style="list-style-type: none"> <li><math>I_{GEN2}</math> when VGEN2 is forced to <math>V_{GEN2NOM}/2</math></li> <li>MMPF0100</li> <li>MMPF0100A</li> </ul>  | 333<br>305 | 417<br>417 | 510<br>510 | mA            |       |
| $I_{GEN2OCP}$                             | Overcurrent protection threshold <ul style="list-style-type: none"> <li><math>I_{GEN2}</math> required to cause the SCP function to disable LDO when <math>REGSCPEN = 1</math></li> <li>MMPF0100</li> <li>MMPF0100A</li> </ul> | 300<br>290 | –<br>–     | 500<br>500 | mA            |       |
| $I_{GEN2Q}$                               | Quiescent current <ul style="list-style-type: none"> <li>No load, change in <math>I_{VIN}</math> and <math>I_{VIN1}</math></li> <li>When VGEN2 enabled</li> </ul>  | –          | 16         | –          | $\mu\text{A}$ |       |

**VGEN2 AC and transient**

|                 |  |             |                      |                      |                         |      |
|-----------------|--|-------------|----------------------|----------------------|-------------------------|------|
| $PSRR_{VGEN2}$  | PSRR <ul style="list-style-type: none"> <li><math>I_{GEN2} = 187.5\text{ mA}</math>, 20 Hz to 20 kHz</li> <li><math>V_{GEN2}[3:0] = 0000 - 1101</math></li> <li><math>V_{GEN2}[3:0] = 1110, 1111</math></li> </ul>   | 50<br>37    | 60<br>45             | –<br>–               | dB                      | (67) |
| $NOISE_{VGEN2}$ | Output noise density <ul style="list-style-type: none"> <li><math>V_{IN1} = 1.75\text{ V}</math>, <math>I_{GEN2} = 187.5\text{ mA}</math></li> <li>100 Hz – &lt;1.0 kHz</li> <li>1.0 kHz – &lt;10 kHz</li> <li>10 kHz – 1.0 MHz</li> </ul>   | –<br>–<br>– | –108<br>–118<br>–124 | –100<br>–108<br>–112 | dBV/ $\sqrt{\text{Hz}}$ |      |
| $SLWR_{VGEN2}$  | Turn-on slew rate <ul style="list-style-type: none"> <li>10% to 90% of end value</li> <li><math>1.75\text{ V} \leq V_{IN1} \leq 3.4\text{ V}</math>, <math>I_{GEN2} = 0.0\text{ mA}</math></li> <li><math>V_{GEN2}[3:0] = 0000</math> to <math>0111</math></li> <li><math>V_{GEN2}[3:0] = 1000</math> to <math>1111</math></li> </ul>  | –<br>–      | –<br>–               | 12.5<br>16.5         | mV/ $\mu\text{s}$       |      |
| $GEN2_{ION}$    | Turn-on time <ul style="list-style-type: none"> <li>Enable to 90% of end value, <math>V_{IN1} = 1.75\text{ V}</math>, <math>3.4\text{ V}</math></li> <li><math>I_{GEN2} = 0.0\text{ mA}</math></li> </ul>  | 60          | –                    | 500                  | $\mu\text{s}$           |      |
| $GEN2_{IOFF}$   | Turn-off time <ul style="list-style-type: none"> <li>Disable to 10% of initial value, <math>V_{IN1} = 1.75\text{ V}</math></li> <li><math>I_{GEN2} = 0.0\text{ mA}</math></li> </ul>   | –           | –                    | 10                   | ms                      |      |
| $GEN2_{OSHT}$   | Start-up overshoot <ul style="list-style-type: none"> <li><math>V_{IN1} = 1.75\text{ V}</math>, <math>3.4\text{ V}</math>, <math>I_{GEN2} = 0.0\text{ mA}</math></li> </ul>  | –           | 1.0                  | 2.0                  | %                       |      |
| $V_{GEN2LOTR}$  | Transient load response <ul style="list-style-type: none"> <li><math>V_{IN1} = 1.75\text{ V}</math>, <math>3.4\text{ V}</math></li> <li><math>I_{GEN2} = 25</math> to <math>250\text{ mA}</math> in <math>1.0\text{ }\mu\text{s}</math></li> <li>Peak of overshoot or undershoot of VGEN2 with respect to final value</li> <li>Refer to <a href="#">Figure 31</a></li> </ul> | –           | –                    | 3.0                  | %                       |      |

**Table 103. VGEN2 electrical characteristics**

All parameters are specified at  $T_{MIN}$  to  $T_{MAX}$  (See [Table 3](#)),  $V_{IN} = 3.6$  V,  $V_{IN1} = 3.0$  V,  $V_{GEN2}[3:0] = 1111$ ,  $I_{GEN2} = 10$  mA, typical external component values, unless otherwise noted. Typical values are characterized at  $V_{IN} = 3.6$  V,  $V_{IN1} = 3.0$  V,  $V_{GEN2}[3:0] = 1111$ ,  $I_{GEN2} = 10$  mA and 25 °C, unless otherwise noted.

| Symbol                                    | Parameter   | Min. | Typ. | Max. | Unit | Notes |
|---|---|------|------|------|------|-------|
| <b>VGEN2 AC and transient (continued)</b> |   |      |      |      |      |       |
| $V_{GEN2LITR}$                            | Transient line response <ul style="list-style-type: none"> <li><math>I_{GEN2} = 187.5</math> mA</li> <li><math>V_{IN1\_INITIAL} = 1.75</math> V to <math>V_{IN1\_FINAL} = 2.25</math> V for <math>V_{GEN2}[3:0] = 0000</math> to <math>1101</math></li> <li><math>V_{IN1\_INITIAL} = V_{GEN2} + 0.3</math> V to <math>V_{IN1\_FINAL} = V_{GEN2} + 0.8</math> V for <math>V_{GEN2}[3:0] = 1110, 1111</math></li> <li>Refer to <a href="#">Figure 31</a></li> </ul> | –    | 5.0  | 8.0  | mV   |       |

## Notes

67. The PSRR of the regulators is measured with the perturbing signal at the input of the regulator. The power management IC is supplied separately from the input of the regulator and does not contain the perturbed signal. During measurements, care must be taken not to operate in the dropout region of the regulator under test.

**6.4.6.5.3 VGEN3****Table 104. VGEN3 electrical characteristics**

All parameters are specified at  $T_{MIN}$  to  $T_{MAX}$  (See [Table 3](#)),  $V_{IN} = 3.6$  V,  $V_{IN2} = 3.6$  V,  $V_{GEN3}[3:0] = 1111$ ,  $I_{GEN3} = 10$  mA, typical external component values, unless otherwise noted. Typical values are characterized at  $V_{IN} = 3.6$  V,  $V_{IN2} = 3.6$  V,  $V_{GEN3}[3:0] = 1111$ ,  $I_{GEN3} = 10$  mA, and 25 °C, unless otherwise noted.

| Symbol          | Parameter  | Min.                                 | Typ.                     | Max.       | Unit | Notes     |
|-----------------|--|--------------------------------------|--------------------------|------------|------|-----------|
| <b>VGEN3</b>    |  |                                      |                          |            |      |           |
| $V_{IN2}$       | Operating input voltage <ul style="list-style-type: none"> <li><math>1.8</math> V <math>\leq V_{GEN3\_NOM} \leq 2.5</math> V</li> <li><math>2.6</math> V <math>\leq V_{GEN3\_NOM} \leq 3.3</math> V</li> </ul> | 2.8<br>$V_{GEN3\_NO}$<br>$M + 0.250$ | –<br>–                   | 3.6<br>3.6 | V    | –<br>(68) |
| $V_{GEN3\_NOM}$ | Nominal output voltage   | –                                    | <a href="#">Table 93</a> | –          | V    |           |
| $I_{GEN3}$      | Operating load current   | 0.0                                  | –                        | 100        | mA   |           |

**VGEN3 DC**

|               |  |      |      |     |         |  |
|---------------|--|------|------|-----|---------|--|
| $V_{GEN3TOL}$ | Output voltage tolerance <ul style="list-style-type: none"> <li><math>V_{IN2\_MIN} &lt; V_{IN2} &lt; 3.6</math> V</li> <li><math>0.0</math> mA <math>&lt; I_{GEN3} &lt; 100</math> mA</li> <li><math>V_{GEN3}[3:0] = 0000</math> to <math>1111</math></li> </ul> | -3.0 | –    | 3.0 | %       |  |
| $V_{GEN3LOR}$ | Load regulation <ul style="list-style-type: none"> <li><math>(V_{GEN3}</math> at <math>I_{GEN3} = 100</math> mA) - <math>(V_{GEN3}</math> at <math>I_{GEN3} = 0.0</math> mA)</li> <li>For any <math>V_{IN2\_MIN} &lt; V_{IN2} &lt; 3.6</math> V</li> </ul>       | –    | 0.07 | –   | mV/mA   |  |
| $V_{GEN3LIR}$ | Line regulation <ul style="list-style-type: none"> <li><math>(V_{GEN3}</math> at <math>V_{IN2} = 3.6</math> V) - <math>(V_{GEN3}</math> at <math>V_{IN2\_MIN}</math>)</li> <li>For any <math>0.0</math> mA <math>&lt; I_{GEN3} &lt; 100</math> mA</li> </ul>     | –    | 0.8  | –   | mV/mA   |  |
| $I_{GEN3LIM}$ | Current limit <ul style="list-style-type: none"> <li><math>I_{GEN3}</math> when VGEN3 is forced to <math>V_{GEN3\_NOM}/2</math></li> </ul>   | 127  | 167  | 200 | mA      |  |
| $I_{GEN3OCP}$ | Overcurrent protection threshold <ul style="list-style-type: none"> <li><math>I_{GEN3}</math> required to cause the SCP function to disable LDO when <math>REGSCPEN = 1</math></li> </ul>  | 120  | –    | 200 | mA      |  |
| $I_{GEN3Q}$   | Quiescent current <ul style="list-style-type: none"> <li>No load, Change in <math>I_{VIN}</math> and <math>I_{VIN2}</math></li> <li>When VGEN3 enabled</li> </ul>  | –    | 13   | –   | $\mu$ A |  |

**Table 104. VGEN3 electrical characteristics (continued)**

All parameters are specified at  $T_{MIN}$  to  $T_{MAX}$  (See [Table 3](#)),  $V_{IN} = 3.6$  V,  $V_{IN2} = 3.6$  V,  $V_{GEN3}[3:0] = 1111$ ,  $I_{GEN3} = 10$  mA, typical external component values, unless otherwise noted. Typical values are characterized at  $V_{IN} = 3.6$  V,  $V_{IN2} = 3.6$  V,  $V_{GEN3}[3:0] = 1111$ ,  $I_{GEN3} = 10$  mA, and 25 °C, unless otherwise noted.

| Symbol                        | Parameter   | Min.             | Typ.                 | Max.                         | Unit    | Notes |
|-------------------------------|---|------------------|----------------------|------------------------------|---------|-------|
| <b>VGEN3 AC and transient</b> |   |                  |                      |                              |         |       |
| $PSRR_{VGEN3}$                | PSRR <ul style="list-style-type: none"> <li><math>I_{GEN3} = 75</math> mA, 20 Hz to 20 kHz</li> <li><math>V_{GEN3}[3:0] = 0000 - 1110</math>, <math>V_{IN2} = VIN2_{MIN} + 100</math> mV</li> <li><math>V_{GEN3}[3:0] = 0000 - 1000</math>, <math>V_{IN2} = V_{GEN3_{NOM}} + 1.0</math> V</li> </ul>  | 35<br>55         | 40<br>60             | –<br>–                       | dB      | (69)  |
| $NOISE_{VGEN3}$               | Output noise density <ul style="list-style-type: none"> <li><math>V_{IN2} = VIN2_{MIN}</math>, <math>I_{GEN3} = 75</math> mA</li> <li>100 Hz – &lt;1.0 kHz</li> <li>1.0 kHz – &lt;10 kHz</li> <li>10 kHz – 1.0 MHz</li> </ul>   | –<br>–<br>–      | –114<br>–129<br>–135 | –102<br>–123<br>–130         | dBV/√Hz |       |
| $SLWR_{VGEN3}$                | Turn-on slew rate <ul style="list-style-type: none"> <li>10% to 90% of end value</li> <li><math>VIN2_{MIN} \leq V_{IN2} \leq 3.6</math> V, <math>I_{GEN3} = 0.0</math> mA</li> <li><math>V_{GEN3}[3:0] = 0000</math> to 0011</li> <li><math>V_{GEN3}[3:0] = 0100</math> to 0111</li> <li><math>V_{GEN3}[3:0] = 1000</math> to 1011</li> <li><math>V_{GEN3}[3:0] = 1100</math> to 1111</li> </ul>  | –<br>–<br>–<br>– | –<br>–<br>–<br>–     | 22.0<br>26.5<br>30.5<br>34.5 | mV/μs   |       |
| $GEN3_{ION}$                  | Turn-on time <ul style="list-style-type: none"> <li>Enable to 90% of end value, <math>V_{IN2} = VIN2_{MIN}</math>, 3.6 V</li> <li><math>I_{GEN3} = 0.0</math> mA</li> </ul>   | 60               | –                    | 500                          | μs      |       |
| $GEN3_{IOFF}$                 | Turn-off time <ul style="list-style-type: none"> <li>Disable to 10% of initial value, <math>V_{IN2} = VIN2_{MIN}</math></li> <li><math>I_{GEN3} = 0.0</math> mA</li> </ul>  | –                | –                    | 10                           | ms      |       |
| $GEN3_{OSHT}$                 | Start-up overshoot <ul style="list-style-type: none"> <li><math>V_{IN2} = VIN2_{MIN}</math>, 3.6 V, <math>I_{GEN3} = 0.0</math> mA</li> </ul>   | –                | 1.0                  | 2.0                          | %       |       |
| $V_{GEN3LOTR}$                | Transient load response <ul style="list-style-type: none"> <li><math>V_{IN2} = VIN2_{MIN}</math>, 3.6 V</li> <li><math>I_{GEN3} = 10</math> to 100 mA in 1.0μs</li> <li>Peak of overshoot or undershoot of VGEN3 with respect to final value. Refer to <a href="#">Figure 31</a></li> </ul>   | –                | –                    | 3.0                          | %       |       |
| $V_{GEN3LITR}$                | Transient line response <ul style="list-style-type: none"> <li><math>I_{GEN3} = 75</math> mA</li> <li><math>VIN2_{INITIAL} = 2.8</math> V to <math>VIN2_{FINAL} = 3.3</math> V for <math>GEN3[3:0] = 0000</math> to 0111</li> <li><math>VIN2_{INITIAL} = V_{GEN3} + 0.3</math> V to <math>VIN2_{FINAL} = V_{GEN3} + 0.8</math> V for <math>V_{GEN3}[3:0] = 1000</math> to 1010</li> <li><math>VIN2_{INITIAL} = V_{GEN3} + 0.25</math> V to <math>VIN2_{FINAL} = 3.6</math> V for <math>V_{GEN3}[3:0] = 1011</math> to 1111</li> <li>Refer to <a href="#">Figure 31</a></li> </ul> | –                | 5.0                  | 8.0                          | mV      |       |

**Notes**

68. When the LDO output voltage is set above 2.6 V, the minimum allowed input voltage needs to be at least the output voltage plus 0.25 V, for proper regulation due to the dropout voltage generated through the internal LDO transistor.
69. The PSRR of the regulators is measured with the perturbing signal at the input of the regulator. The power management IC is supplied separately from the input of the regulator and does not contain the perturbed signal. During measurements, care must be taken not to operate in the dropout region of the regulator under test.  $VIN2_{MIN}$  refers to the minimum allowed input voltage for a particular output voltage.

### 6.4.6.5.4 VGEN4

**Table 105. VGEN4 electrical characteristics**

All parameters are specified at  $T_{MIN}$  to  $T_{MAX}$  (See Table 3),  $V_{IN} = 3.6\text{ V}$ ,  $V_{IN2} = 3.6\text{ V}$ ,  $V_{GEN4[3:0]} = 1111$ ,  $I_{GEN4} = 10\text{ mA}$ , typical external component values, unless otherwise noted. Typical values are characterized at  $V_{IN} = 3.6\text{ V}$ ,  $V_{IN2} = 3.6\text{ V}$ ,  $V_{GEN4[3:0]} = 1111$ ,  $I_{GEN4} = 10\text{ mA}$ , and  $25\text{ }^{\circ}\text{C}$ , unless otherwise noted.

| Symbol        | Parameter   | Min.                              | Typ.     | Max.       | Unit | Notes     |
|---------------|---|-----------------------------------|----------|------------|------|-----------|
| <b>VGEN4</b>  |   |                                   |          |            |      |           |
| $V_{IN2}$     | Operating input voltage<br><ul style="list-style-type: none"> <li><math>1.8\text{ V} \leq V_{GEN4NOM} \leq 2.5\text{ V}</math></li> <li><math>2.6\text{ V} \leq V_{GEN4NOM} \leq 3.3\text{ V}</math></li> </ul> | 2.8<br>$V_{GEN4NO}$<br>$M+ 0.250$ | –<br>–   | 3.6<br>3.6 | V    | –<br>(70) |
| $V_{GEN4NOM}$ | Nominal output voltage  | –                                 | Table 93 | –          | V    |           |
| $I_{GEN4}$    | Operating load current  | 0.0                               | –        | 350        | mA   |           |

**VGEN4 DC**

|               |   |      |       |     |               |  |
|---------------|---|------|-------|-----|---------------|--|
| $V_{GEN4TOL}$ | Output voltage tolerance<br><ul style="list-style-type: none"> <li><math>V_{IN2MIN} &lt; V_{IN2} &lt; 3.6\text{ V}</math></li> <li><math>0.0\text{ mA} &lt; I_{GEN4} &lt; 350\text{ mA}</math></li> <li><math>V_{GEN4[3:0]} = 0000</math> to <math>1111</math></li> </ul> | -3.0 | –     | 3.0 | %             |  |
| $V_{GEN4LOR}$ | Load regulation<br><ul style="list-style-type: none"> <li><math>(V_{GEN4} \text{ at } I_{GEN4} = 350\text{ mA}) - (V_{GEN4} \text{ at } I_{GEN4} = 0.0\text{ mA})</math></li> <li>For any <math>V_{IN2MIN} &lt; V_{IN2} &lt; 3.6\text{ V}</math></li> </ul>               | –    | 0.07  | –   | mV/mA         |  |
| $V_{GEN4LIR}$ | Line regulation<br><ul style="list-style-type: none"> <li><math>(V_{GEN4} \text{ at } 3.6\text{ V}) - (V_{GEN4} \text{ at } V_{IN2MIN})</math></li> <li>For any <math>0.0\text{ mA} &lt; I_{GEN4} &lt; 350\text{ mA}</math></li> </ul>                                    | –    | 0.80  | –   | mV/mA         |  |
| $I_{GEN4LIM}$ | Current limit<br><ul style="list-style-type: none"> <li><math>I_{GEN4}</math> when VGEN4 is forced to <math>V_{GEN4NOM}/2</math></li> </ul>   | 435  | 584.5 | 700 | mA            |  |
| $I_{GEN4OCP}$ | Overcurrent protection threshold<br><ul style="list-style-type: none"> <li><math>I_{GEN4}</math> required to cause the SCP function to disable LDO when <math>REGSCPEN = 1</math></li> </ul>  | 420  | –     | 700 | mA            |  |
| $I_{GEN4Q}$   | Quiescent current<br><ul style="list-style-type: none"> <li>No load, Change in <math>I_{VIN}</math> and <math>I_{VIN2}</math></li> <li>When VGEN4 enabled</li> </ul>  | –    | 13    | –   | $\mu\text{A}$ |  |

**VGEN4 AC and transient**

|                 |   |                  |                      |                              |                        |      |
|-----------------|---|------------------|----------------------|------------------------------|------------------------|------|
| $PSRR_{VGEN4}$  | PSRR<br><ul style="list-style-type: none"> <li><math>I_{GEN4} = 262.5\text{ mA}</math>, 20 Hz to 20 kHz</li> <li><math>V_{GEN4[3:0]} = 0000 - 1110</math>, <math>V_{IN2} = V_{IN2MIN} + 100\text{ mV}</math></li> <li><math>V_{GEN4[3:0]} = 0000 - 1000</math>, <math>V_{IN2} = V_{GEN4NOM} + 1.0\text{ V}</math></li> </ul>  | 35<br>55         | 40<br>60             | –<br>–                       | dB                     | (71) |
| $NOISE_{VGEN4}$ | Output noise density<br><ul style="list-style-type: none"> <li><math>V_{IN2} = V_{IN2MIN}</math>, <math>I_{GEN4} = 262.5\text{ mA}</math></li> <li>100 Hz – <math>&lt; 1.0\text{ kHz}</math></li> <li>1.0 kHz – <math>&lt; 10\text{ kHz}</math></li> <li>10 kHz – <math>1.0\text{ MHz}</math></li> </ul>  | –<br>–<br>–      | -114<br>-129<br>-135 | -102<br>-123<br>-130         | dB/ $\sqrt{\text{Hz}}$ |      |
| $SLWR_{VGEN4}$  | Turn-on slew rate<br><ul style="list-style-type: none"> <li>10% to 90% of end value</li> <li><math>V_{IN2MIN} \leq V_{IN2} \leq 3.6\text{ V}</math>, <math>I_{GEN4} = 0.0\text{ mA}</math></li> <li><math>V_{GEN4[3:0]} = 0000</math> to <math>0011</math></li> <li><math>V_{GEN4[3:0]} = 0100</math> to <math>0111</math></li> <li><math>V_{GEN4[3:0]} = 1000</math> to <math>1011</math></li> <li><math>V_{GEN4[3:0]} = 1100</math> to <math>1111</math></li> </ul> | –<br>–<br>–<br>– | –<br>–<br>–<br>–     | 22.0<br>26.5<br>30.5<br>34.5 | mV/ $\mu\text{s}$      |      |

**Table 105. VGEN4 electrical characteristics (continued)**

All parameters are specified at  $T_{MIN}$  to  $T_{MAX}$  (See [Table 3](#)),  $V_{IN} = 3.6$  V,  $V_{IN2} = 3.6$  V,  $V_{GEN4}[3:0] = 1111$ ,  $I_{GEN4} = 10$  mA, typical external component values, unless otherwise noted. Typical values are characterized at  $V_{IN} = 3.6$  V,  $V_{IN2} = 3.6$  V,  $V_{GEN4}[3:0] = 1111$ ,  $I_{GEN4} = 10$  mA, and 25 °C, unless otherwise noted.

| Symbol                                     | Parameter  | Min. | Typ. | Max. | Unit    | Notes |
|--|--|------|------|------|---------|-------|
| <b>VGEN4 AC AND tTRANSIENT (Continued)</b> |  |      |      |      |         |       |
| $GEN4_{tON}$                               | Turn-on time<br>• Enable to 90% of end value, $V_{IN2} = VIN2_{MIN}$ , 3.6 V<br>• $I_{GEN4} = 0.0$ mA  | 60   | –    | 500  | $\mu$ s |       |
| $GEN4_{tOFF}$                              | Turn-off time<br>• Disable to 10% of initial value, $V_{IN2} = VIN2_{MIN}$<br>• $I_{GEN4} = 0.0$ mA  | –    | –    | 10   | ms      |       |
| $GEN4_{OSHT}$                              | Start-up overshoot<br>• $V_{IN2} = VIN2_{MIN}$ , 3.6 V, $I_{GEN4} = 0.0$ mA  | –    | 1.0  | 2.0  | %       |       |
| $V_{GEN4LOTR}$                             | Transient load response<br>• $V_{IN2} = VIN2_{MIN}$ , 3.6 V<br>• $I_{GEN4} = 35$ to 350 mA in 1.0 $\mu$ s<br>• Peak of overshoot or undershoot of VGEN4 with respect to final value. Refer to <a href="#">Figure 31</a>  | –    | –    | 3.0  | %       |       |
| $V_{GEN4LITR}$                             | Transient line response<br>• $I_{GEN4} = 262.5$ mA<br>• $VIN2_{INITIAL} = 2.8$ V to $VIN2_{FINAL} = 3.3$ V for $VGEN4[3:0] = 0000$ to 0111<br>• $VIN2_{INITIAL} = V_{GEN4} + 0.3$ V to $VIN2_{FINAL} = V_{GEN4} + 0.8$ V for $VGEN4[3:0] = 1000$ to 1010<br>• $VIN2_{INITIAL} = V_{GEN4} + 0.25$ V to $VIN2_{FINAL} = 3.6$ V for $VGEN4[3:0] = 1011$ to 1111<br>• Refer to <a href="#">Figure 31</a> | –    | 5.0  | 8.0  | mV      |       |

**Notes**

70. When the LDO output voltage is set above 2.6 V the minimum allowed input voltage need to be at least the output voltage plus 0.25 V for proper regulation due to the dropout voltage generated through the internal LDO transistor.
71. The PSRR of the regulators is measured with the perturbing signal at the input of the regulator. The power management IC is supplied separately from the input of the regulator and does not contain the perturbed signal. During measurements, care must be taken not to operate in the dropout region of the regulator under test.  $VIN2_{MIN}$  refers to the minimum allowed input voltage for a particular output voltage.

**6.4.6.5.5 VGEN5****Table 106. VGEN5 electrical characteristics**

All parameters are specified at  $T_{MIN}$  to  $T_{MAX}$  (See [Table 3](#)),  $V_{IN} = 3.6$  V,  $V_{IN3} = 3.6$  V,  $V_{GEN5}[3:0] = 1111$ ,  $I_{GEN5} = 10$  mA, typical external component values, unless otherwise noted. Typical values are characterized at  $V_{IN} = 3.6$  V,  $V_{IN3} = 3.6$  V,  $V_{GEN5}[3:0] = 1111$ ,  $I_{GEN5} = 10$  mA, and 25 °C, unless otherwise noted.

| Symbol           | Parameter   | Min.                                  | Typ.                     | Max.       | Unit | Notes     |
|------------------|---|---------------------------------------|--------------------------|------------|------|-----------|
| <b>VGEN5</b>     |   |                                       |                          |            |      |           |
| $V_{IN3}$        | Operating input voltage<br>• $1.8$ V $\leq V_{GEN5_{NOM}} \leq 2.5$ V<br>• $2.6$ V $\leq V_{GEN5_{NOM}} \leq 3.3$ V | 2.8<br>$V_{GEN5_{NO}}$<br>$M + 0.250$ | –<br>–                   | 4.5<br>4.5 | V    | –<br>(72) |
| $V_{GEN5_{NOM}}$ | Nominal output voltage  | –                                     | <a href="#">Table 93</a> | –          | V    |           |
| $I_{GEN5}$       | Operating load current  | 0.0                                   | –                        | 100        | mA   |           |

**Table 106. VGEN5 electrical characteristics (continued)**

All parameters are specified at  $T_{MIN}$  to  $T_{MAX}$  (See Table 3),  $V_{IN} = 3.6\text{ V}$ ,  $V_{IN3} = 3.6\text{ V}$ ,  $V_{GEN5}[3:0] = 1111$ ,  $I_{GEN5} = 10\text{ mA}$ , typical external component values, unless otherwise noted. Typical values are characterized at  $V_{IN} = 3.6\text{ V}$ ,  $V_{IN3} = 3.6\text{ V}$ ,  $V_{GEN5}[3:0] = 1111$ ,  $I_{GEN5} = 10\text{ mA}$ , and  $25\text{ }^{\circ}\text{C}$ , unless otherwise noted.

| Symbol                        | Parameter  | Min.             | Typ.                 | Max.                         | Unit                    | Notes |
|-------------------------------|--|------------------|----------------------|------------------------------|-------------------------|-------|
| <b>VGEN5 active mode – DC</b> |  |                  |                      |                              |                         |       |
| $V_{GEN5TOL}$                 | Output voltage tolerance <ul style="list-style-type: none"> <li><math>V_{IN3_{MIN}} &lt; V_{IN3} &lt; 4.5\text{ V}</math></li> <li><math>0.0\text{ mA} &lt; I_{GEN5} &lt; 100\text{ mA}</math></li> <li><math>V_{GEN5}[3:0] = 0000\text{ to }1111</math></li> </ul>  | -3.0             | –                    | 3.0                          | %                       |       |
| $V_{GEN5LOR}$                 | Load regulation <ul style="list-style-type: none"> <li><math>(V_{GEN5}\text{ at }I_{GEN5} = 100\text{ mA}) - (V_{GEN5}\text{ at }I_{GEN5} = 0.0\text{ mA})</math></li> <li>For any <math>V_{IN3_{MIN}} &lt; V_{IN3} &lt; 4.5\text{ V}</math></li> </ul>  | –                | 0.10                 | –                            | mV/mA                   |       |
| $V_{GEN5LIR}$                 | Line regulation <ul style="list-style-type: none"> <li><math>(V_{GEN5}\text{ at }V_{IN3} = 4.5\text{ V}) - (V_{GEN5}\text{ at }V_{IN3_{MIN}})</math></li> <li>For any <math>0.0\text{ mA} &lt; I_{GEN5} &lt; 100\text{ mA}</math></li> </ul>   | –                | 0.50                 | –                            | mV/mA                   |       |
| $I_{GEN5LIM}$                 | Current limit <ul style="list-style-type: none"> <li><math>I_{GEN5}</math> when VGEN5 is forced to <math>V_{GEN5_{NOM}}/2</math></li> </ul>  | 122              | 167                  | 200                          | mA                      |       |
| $I_{GEN5OCP}$                 | Overcurrent protection threshold <ul style="list-style-type: none"> <li><math>I_{GEN5}</math> required to cause the SCP function to disable LDO when <math>REGSCPEN = 1</math></li> </ul>  | 120              | –                    | 200                          | mA                      |       |
| $I_{GEN5Q}$                   | Quiescent current <ul style="list-style-type: none"> <li>No load, Change in <math>I_{VIN}</math> and <math>I_{VIN3}</math></li> <li>When VGEN5 enabled</li> </ul>  | –                | 13                   | –                            | $\mu\text{A}$           |       |
| <b>VGEN5 AC and transient</b> |  |                  |                      |                              |                         |       |
| $PSRR_{VGEN5}$                | PSRR <ul style="list-style-type: none"> <li><math>I_{GEN5} = 75\text{ mA}</math>, 20 Hz to 20 kHz</li> <li><math>V_{GEN5}[3:0] = 0000 - 1111</math>, <math>V_{IN3} = V_{IN3_{MIN}} + 100\text{ mV}</math></li> <li><math>V_{GEN5}[3:0] = 0000 - 1111</math>, <math>V_{IN3} = V_{GEN5_{NOM}} + 1.0\text{ V}</math></li> </ul>   | 35<br>52         | 40<br>60             | –<br>–                       | dB                      | (73)  |
| $NOISE_{VGEN5}$               | Output noise density <ul style="list-style-type: none"> <li><math>V_{IN3} = V_{IN3_{MIN}}</math>, <math>I_{GEN5} = 75\text{ mA}</math></li> <li>100 Hz – &lt;1.0 kHz</li> <li>1.0 kHz – &lt;10 kHz</li> <li>10 kHz – 1.0 MHz</li> </ul>  | –<br>–<br>–      | -114<br>-129<br>-135 | -102<br>-123<br>-130         | dBV/ $\sqrt{\text{Hz}}$ |       |
| $SLWR_{VGEN5}$                | Turn-on slew rate <ul style="list-style-type: none"> <li>10% to 90% of end value</li> <li><math>V_{IN3_{MIN}} \leq V_{IN3} \leq 4.5\text{ mV}</math>, <math>I_{GEN5} = 0.0\text{ mA}</math></li> <li><math>V_{GEN5}[3:0] = 0000\text{ to }0011</math></li> <li><math>V_{GEN5}[3:0] = 0100\text{ to }0111</math></li> <li><math>V_{GEN5}[3:0] = 1000\text{ to }1011</math></li> <li><math>V_{GEN5}[3:0] = 1100\text{ to }1111</math></li> </ul> | –<br>–<br>–<br>– | –<br>–<br>–<br>–     | 22.0<br>26.5<br>30.5<br>34.5 | mV/ $\mu\text{s}$       |       |
| $GEN5_{tON}$                  | Turn-on time <ul style="list-style-type: none"> <li>Enable to 90% of end value, <math>V_{IN3} = V_{IN3_{MIN}}</math>, 4.5 V</li> <li><math>I_{GEN5} = 0.0\text{ mA}</math></li> </ul>  | 60               | –                    | 500                          | $\mu\text{s}$           |       |
| $GEN5_{tOFF}$                 | Turn-off time <ul style="list-style-type: none"> <li>Disable to 10% of initial value, <math>V_{IN3} = V_{IN3_{MIN}}</math></li> <li><math>I_{GEN5} = 0.0\text{ mA}</math></li> </ul>   | –                | –                    | 10                           | ms                      |       |
| $GEN5_{OSHT}$                 | Start-up overshoot <ul style="list-style-type: none"> <li><math>V_{IN3} = V_{IN3_{MIN}}</math>, 4.5 V, <math>I_{GEN5} = 0.0\text{ mA}</math></li> </ul>  | –                | 1.0                  | 2.0                          | %                       |       |

**Table 106. VGEN5 electrical characteristics (continued)**

All parameters are specified at  $T_{MIN}$  to  $T_{MAX}$  (See [Table 3](#)),  $V_{IN} = 3.6$  V,  $V_{IN3} = 3.6$  V,  $V_{GEN5}[3:0] = 1111$ ,  $I_{GEN5} = 10$  mA, typical external component values, unless otherwise noted. Typical values are characterized at  $V_{IN} = 3.6$  V,  $V_{IN3} = 3.6$  V,  $V_{GEN5}[3:0] = 1111$ ,  $I_{GEN5} = 10$  mA, and 25 °C, unless otherwise noted.

| Symbol                                    | Parameter   | Min. | Typ. | Max. | Unit | Notes |
|---|---|------|------|------|------|-------|
| <b>VGEN5 active mode – DC (continued)</b> |   |      |      |      |      |       |
| $V_{GEN5LOTR}$                            | Transient load response <ul style="list-style-type: none"> <li><math>V_{IN3} = V_{IN3_{MIN}}</math>, 4.5 V</li> <li><math>I_{GEN5} = 10</math> to 100 mA in 1.0 <math>\mu</math>s</li> <li>Peak of overshoot or undershoot of VGEN5 with respect to final value.</li> <li>Refer to <a href="#">Figure 31</a></li> </ul>   | –    | –    | 3.0  | %    |       |
| $V_{GEN5LITR}$                            | Transient line response <ul style="list-style-type: none"> <li><math>I_{GEN5} = 75</math> mA</li> <li><math>V_{IN3_{INITIAL}} = 2.8</math> V to <math>V_{IN3_{FINAL}} = 3.3</math> V for <math>V_{GEN5}[3:0] = 0000</math> to 0111</li> <li><math>V_{IN3_{INITIAL}} = V_{GEN5} + 0.3</math> V to <math>V_{IN3_{FINAL}} = V_{GEN5} + 0.8</math> V for <math>V_{GEN5}[3:0] = 1000</math> to 1111</li> <li>Refer to <a href="#">Figure 31</a></li> </ul> | –    | 5.0  | 8.0  | mV   |       |

**Notes**

72. When the LDO output voltage is set above 2.6 V the minimum allowed input voltage need to be at least the output voltage plus 0.25 V for proper regulation due to the dropout voltage generated through the internal LDO transistor.
73. The PSRR of the regulators is measured with the perturbing signal at the input of the regulator. The power management IC is supplied separately from the input of the regulator and does not contain the perturbed signal. During measurements, care must be taken not to operate in the dropout region of the regulator under test.  $V_{IN3_{MIN}}$  refers to the minimum allowed input voltage for a particular output voltage.

**6.4.6.5.6 VGEN6****Table 107. VGEN6 electrical characteristics**

All parameters are specified at  $T_{MIN}$  to  $T_{MAX}$  (See [Table 3](#)),  $V_{IN} = 3.6$  V,  $V_{IN3} = 3.6$  V,  $V_{GEN6}[3:0] = 1111$ ,  $I_{GEN6} = 10$  mA, typical external component values, unless otherwise noted. Typical values are characterized at  $V_{IN} = 3.6$  V,  $V_{IN3} = 3.6$  V,  $V_{GEN6}[3:0] = 1111$ ,  $I_{GEN6} = 10$  mA, and 25 °C, unless otherwise noted.

| Symbol           | Parameter  | Min.                                  | Typ.                     | Max.       | Unit | Notes     |
|------------------|--|---------------------------------------|--------------------------|------------|------|-----------|
| <b>VGEN6</b>     |  |                                       |                          |            |      |           |
| $V_{IN3}$        | Operating input voltage <ul style="list-style-type: none"> <li><math>1.8</math> V <math>\leq V_{GEN6_{NOM}} \leq 2.5</math> V</li> <li><math>2.6</math> V <math>\leq V_{GEN6_{NOM}} \leq 3.3</math> V</li> </ul> | 2.8<br>$V_{GEN6_{NO}}$<br>$M + 0.250$ | –<br>–                   | 4.5<br>4.5 | V    | –<br>(74) |
| $V_{GEN6_{NOM}}$ | Nominal output voltage   | –                                     | <a href="#">Table 93</a> | –          | V    |           |
| $I_{GEN6}$       | Operating load current   | 0.0                                   | –                        | 200        | mA   |           |

**VGEN6 DC**

|               |   |            |            |            |       |  |
|---------------|---|------------|------------|------------|-------|--|
| $V_{GEN6TOL}$ | Output voltage tolerance <ul style="list-style-type: none"> <li><math>V_{IN3_{MIN}} &lt; V_{IN3} &lt; 4.5</math> V</li> <li><math>0.0</math> mA <math>&lt; I_{GEN6} &lt; 200</math> mA</li> <li><math>V_{GEN6}[3:0] = 0000</math> to 1111</li> </ul>          | -3.0       | –          | 3.0        | %     |  |
| $V_{GEN6LOR}$ | Load regulation <ul style="list-style-type: none"> <li>(<math>V_{GEN6}</math> at <math>I_{GEN6} = 200</math> mA) - (<math>V_{GEN6}</math> at <math>I_{GEN6} = 0.0</math> mA)</li> <li>For any <math>V_{IN3_{MIN}} &lt; V_{IN3} &lt; 4.5</math> V</li> </ul>   | –          | 0.10       | –          | mV/mA |  |
| $V_{GEN6LIR}$ | Line regulation <ul style="list-style-type: none"> <li>(<math>V_{GEN6}</math> at <math>V_{IN3} = 4.5</math> V) - (<math>V_{GEN6}</math> at <math>V_{IN3_{MIN}}</math>)</li> <li>For any <math>0.0</math> mA <math>&lt; I_{GEN6} &lt; 200</math> mA</li> </ul> | –          | 0.50       | –          | mV/mA |  |
| $I_{GEN6LIM}$ | Current limit <ul style="list-style-type: none"> <li><math>I_{GEN6}</math> when VGEN6 is forced to <math>V_{GEN6_{NOM}}/2</math></li> <li>MMPF0100</li> <li>MMPF0100A</li> </ul>  | 232<br>232 | 333<br>333 | 400<br>475 | mA    |  |

**Table 107. VGEN6 electrical characteristics (continued)**

All parameters are specified at  $T_{MIN}$  to  $T_{MAX}$  (See Table 3),  $V_{IN} = 3.6\text{ V}$ ,  $V_{IN3} = 3.6\text{ V}$ ,  $V_{GEN6}[3:0] = 1111$ ,  $I_{GEN6} = 10\text{ mA}$ , typical external component values, unless otherwise noted. Typical values are characterized at  $V_{IN} = 3.6\text{ V}$ ,  $V_{IN3} = 3.6\text{ V}$ ,  $V_{GEN6}[3:0] = 1111$ ,  $I_{GEN6} = 10\text{ mA}$ , and  $25\text{ }^{\circ}\text{C}$ , unless otherwise noted.

| Symbol                        | Parameter   | Min.             | Typ.                 | Max.                         | Unit                    | Notes |
|-------------------------------|---|------------------|----------------------|------------------------------|-------------------------|-------|
| <b>VGEN6 DC (continued)</b>   |   |                  |                      |                              |                         |       |
| $I_{GEN6OCP}$                 | Overcurrent protection threshold<br><ul style="list-style-type: none"> <li><math>I_{GEN6}</math> required to cause the SCP function to disable LDO when <math>REGSCPEN = 1</math></li> <li>MMPF0100</li> <li>MMPF0100A</li> </ul>   | 220<br>220       | –<br>–               | 400<br>475                   | mA                      |       |
| $I_{GEN6Q}$                   | Quiescent current<br><ul style="list-style-type: none"> <li>No load, Change in <math>I_{VIN}</math> and <math>I_{VIN3}</math></li> <li>When VGEN6 enabled</li> </ul>  | –                | 13                   | –                            | $\mu\text{A}$           |       |
| <b>VGEN6 AC and transient</b> |   |                  |                      |                              |                         |       |
| $PSRR_{VGEN6}$                | PSRR<br><ul style="list-style-type: none"> <li><math>I_{GEN6} = 150\text{ mA}</math>, 20 Hz to 20 kHz</li> <li><math>V_{GEN6}[3:0] = 0000 - 1111</math>, <math>V_{IN3} = VIN3_{MIN} + 100\text{ mV}</math></li> <li><math>V_{GEN6}[3:0] = 0000 - 1111</math>, <math>V_{IN3} = VGEN6_{NOM} + 1.0\text{ V}</math></li> </ul>  | 35<br>52         | 40<br>60             | –<br>–                       | dB                      | (75)  |
| $NOISE_{VGEN6}$               | Output noise density<br><ul style="list-style-type: none"> <li><math>V_{IN3} = VIN3_{MIN}</math>, <math>I_{GEN6} = 150\text{ mA}</math></li> <li>100 Hz – &lt;1.0 kHz</li> <li>1.0 kHz – &lt;10 kHz</li> <li>10 kHz – 1.0 MHz</li> </ul>  | –<br>–<br>–      | –114<br>–129<br>–135 | –102<br>–123<br>–130         | dBV/ $\sqrt{\text{Hz}}$ |       |
| $SLWR_{VGEN6}$                | Turn-on slew rate<br><ul style="list-style-type: none"> <li>10% to 90% of end value</li> <li><math>VIN3_{MIN} \leq V_{IN3} \leq 4.5\text{ V}</math>, <math>I_{GEN6} = 0.0\text{ mA}</math></li> <li><math>V_{GEN6}[3:0] = 0000</math> to 0011</li> <li><math>V_{GEN6}[3:0] = 0100</math> to 0111</li> <li><math>V_{GEN6}[3:0] = 1000</math> to 1011</li> <li><math>V_{GEN6}[3:0] = 1100</math> to 1111</li> </ul> | –<br>–<br>–<br>– | –<br>–<br>–<br>–     | 22.0<br>26.5<br>30.5<br>34.5 | mV/ $\mu\text{s}$       |       |
| $GEN6_{tON}$                  | Turn-on time<br><ul style="list-style-type: none"> <li>Enable to 90% of end value, <math>V_{IN3} = VIN3_{MIN}</math>, 4.5 V</li> <li><math>I_{GEN6} = 0.0\text{ mA}</math></li> </ul>   | 60               | –                    | 500                          | $\mu\text{s}$           |       |
| $GEN6_{tOFF}$                 | Turn-off time<br><ul style="list-style-type: none"> <li>Disable to 10% of initial value, <math>V_{IN3} = VIN3_{MIN}</math></li> <li><math>I_{GEN6} = 0.0\text{ mA}</math></li> </ul>  | –                | –                    | 10                           | ms                      |       |
| $GEN6_{OSHT}$                 | Start-up overshoot<br><ul style="list-style-type: none"> <li><math>V_{IN3} = VIN3_{MIN}</math>, 4.5 V, <math>I_{GEN6} = 0\text{ mA}</math></li> </ul>   | –                | 1.0                  | 2.0                          | %                       |       |
| $V_{GEN6LOTR}$                | Transient load response<br><ul style="list-style-type: none"> <li><math>V_{IN3} = VIN3_{MIN}</math>, 4.5 V</li> <li><math>I_{GEN6} = 20</math> to 200 mA in 1.0 <math>\mu\text{s}</math></li> <li>Peak of overshoot or undershoot of VGEN6 with respect to final value. Refer to Figure 31</li> </ul>   | –                | –                    | 3.0                          | %                       |       |

**Table 107. VGEN6 electrical characteristics (continued)**

All parameters are specified at  $T_{MIN}$  to  $T_{MAX}$  (See [Table 3](#)),  $V_{IN} = 3.6$  V,  $V_{IN3} = 3.6$  V,  $V_{GEN6}[3:0] = 1111$ ,  $I_{GEN6} = 10$  mA, typical external component values, unless otherwise noted. Typical values are characterized at  $V_{IN} = 3.6$  V,  $V_{IN3} = 3.6$  V,  $V_{GEN6}[3:0] = 1111$ ,  $I_{GEN6} = 10$  mA, and 25 °C, unless otherwise noted.

| Symbol                                    | Parameter  | Min. | Typ. | Max. | Unit | Notes |
|---|--|------|------|------|------|-------|
| <b>VGEN6 AC and transient (continued)</b> |  |      |      |      |      |       |
| $V_{GEN6LITR}$                            | Transient line response <ul style="list-style-type: none"> <li><math>I_{GEN6} = 150</math> mA</li> <li><math>V_{IN3_{INITIAL}} = 2.8</math> V to <math>V_{IN3_{FINAL}} = 3.3</math> V for <math>V_{GEN6}[3:0] = 0000</math> to 0111</li> <li><math>V_{IN3_{INITIAL}} = V_{GEN6} + 0.3</math> V to <math>V_{IN3_{FINAL}} = V_{GEN6} + 0.8</math> V for <math>V_{GEN6}[3:0] = 1000</math> to 1111</li> <li>Refer to <a href="#">Figure 31</a></li> </ul> | –    | 5.0  | 8.0  | mV   |       |

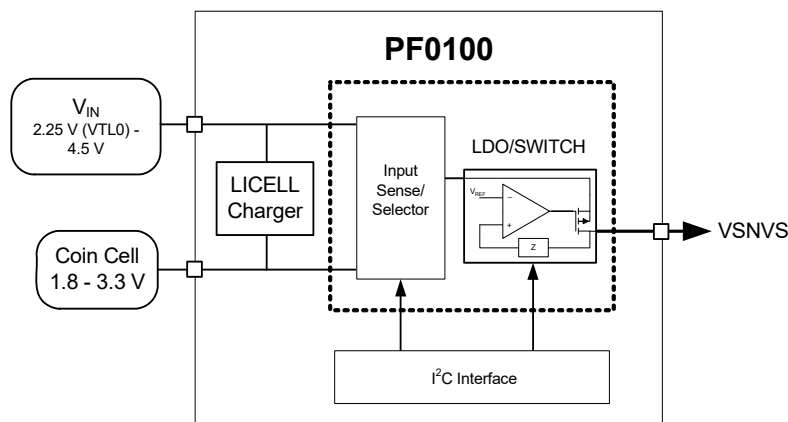
**Notes**

- When the LDO output voltage is set above 2.6 V the minimum allowed input voltage need to be at least the output voltage plus 0.25 V for proper regulation due to the dropout voltage generated through the internal LDO transistor.
- The PSRR of the regulators is measured with the perturbing signal at the input of the regulator. The power management IC is supplied separately from the input of the regulator and does not contain the perturbed signal. During measurements, care must be taken not to operate in the dropout region of the regulator under test.  $V_{IN3_{MIN}}$  refers to the minimum allowed input voltage for a particular output voltage.

## 6.4.7 VSNVS LDO/switch

VSNVS powers the low-power, SNVS/RTC domain on the processor. It derives its power from either  $V_{IN}$ , or coin cell, and cannot be disabled. When powered by both,  $V_{IN}$  takes precedence when above the appropriate comparator threshold. When powered by  $V_{IN}$ , VSNVS is an LDO capable of supplying seven voltages: 3.0, 1.8, 1.5, 1.3, 1.2, 1.1, and 1.0 V. The bits  $VSNVSVOLT[2:0]$  in register  $VSNVS\_CONTROL$  determine the output voltage. When powered by coin cell, VSNVS is an LDO capable of supplying 1.8, 1.5, 1.3, 1.2, 1.1, or 1.0 V as shown in [Table 108](#). If the 3.0 V option is chosen with the coin cell, VSNVS tracks the coin cell voltage by means of a switch, whose maximum resistance is 100  $\Omega$ . In this case, the VSNVS voltage is simply the coin cell voltage minus the voltage drop across the switch, which is 40 mV at a rated maximum load current of 400  $\mu$ A.

The default setting of the  $VSNVSVOLT[2:0]$  is 110, or 3.0 V, unless programmed otherwise in OTP. However, when the coin cell is applied for the very first time, VSNVS outputs 1.0 V. Only when  $V_{IN}$  is applied thereafter does VSNVS transition to its default, or programmed value if different. Upon subsequent removal of  $V_{IN}$ , with the coin cell attached, VSNVS changes configuration from an LDO to a switch for the “110” setting, and remains as an LDO for the other settings, continuing to output the same voltages as when  $V_{IN}$  is applied, providing certain conditions are met as described in [Table 108](#).

**Figure 32. VSNVS supply switch architecture**

[Table 108](#) provides a summary of the VSNVS operation at different input voltage  $V_{IN}$  and with or without coin cell connected to the system.

**Table 108. VSNVS modes of operation**

| VSNVSVOLT[2:0] | VIN    | Mode             |
|----------------|--------|------------------|
| 110            | > VTH1 | VIN LDO 3.0 V    |
| 110            | < VTL1 | Coin cell switch |
| 000 – 101      | > VTH0 | VIN LDO          |
| 000 – 101      | < VTL0 | Coin cell LDO    |

### 6.4.7.0.1 VSNVS control

The VSNVS output level is configured through the VSNVSVOLT[2:0]bits on VSNVCTL register as shown in [Table 109](#).

**Table 109. Register VSNVCTL - ADDR 0x6B**

| Name      | Bit # | R/W | Default | Description  |
|-----------|-------|-----|---------|--|
| VSNVSVOLT | 2:0   | R/W | 0x80    | Configures VSNVS output voltage. <sup>(76)</sup> <ul style="list-style-type: none"> <li>• 000 = 1.0 V</li> <li>• 001 = 1.1 V</li> <li>• 010 = 1.2 V</li> <li>• 011 = 1.3 V</li> <li>• 100 = 1.5 V</li> <li>• 101 = 1.8 V</li> <li>• 110 = 3.0 V</li> <li>• 111 = RSVD</li> </ul> |
| UNUSED    | 7:3   | –   | 0x00    | unused   |

#### Notes

76. Only valid when a valid input voltage is present.

### 6.4.7.0.2 VSNVS external components

**Table 110. VSNVS external components**

| Capacitor | Value (μF) |
|-----------|------------|
| VSNVS     | 0.47       |

### 6.4.7.0.3 VSNVS specifications

**Table 111. VSNVS electrical characteristics**

All parameters are specified at  $T_{MIN}$  to  $T_{MAX}$  (See [Table 3](#)),  $V_{IN} = 3.6$  V,  $V_{SNVS} = 3.0$  V,  $I_{SNVS} = 5.0$  μA, typical external component values, unless otherwise noted. Typical values are characterized at  $V_{IN} = 3.6$  V,  $V_{SNVS} = 3.0$  V,  $I_{SNVS} = 5.0$  μA, and 25 °C, unless otherwise noted.

| Symbol       | Parameter  | Min         | Typ    | Max        | Unit | Notes |
|--------------|--|-------------|--------|------------|------|-------|
| <b>VSNVS</b> |  |             |        |            |      |       |
| $V_{INSNVS}$ | Operating Input Voltage <ul style="list-style-type: none"> <li>• Valid coin cell range</li> <li>• Valid <math>V_{IN}</math></li> </ul> | 1.8<br>2.25 | –<br>– | 3.3<br>4.5 | V    |       |
| $I_{SNVS}$   | Operating load current <ul style="list-style-type: none"> <li>• <math>V_{INMIN} &lt; V_{IN} &lt; V_{INMAX}</math></li> </ul>           | 5.0         | –      | 400        | μA   |       |

**Table 111. VSNVS electrical characteristics (continued)**

All parameters are specified at  $T_{MIN}$  to  $T_{MAX}$  (See Table 3),  $V_{IN} = 3.6\text{ V}$ ,  $V_{SNVS} = 3.0\text{ V}$ ,  $I_{SNVS} = 5.0\text{ }\mu\text{A}$ , typical external component values, unless otherwise noted. Typical values are characterized at  $V_{IN} = 3.6\text{ V}$ ,  $V_{SNVS} = 3.0\text{ V}$ ,  $I_{SNVS} = 5.0\text{ }\mu\text{A}$ , and  $25\text{ }^\circ\text{C}$ , unless otherwise noted.

| Symbol               | Parameter   | Min                      | Typ              | Max                  | Unit          | Notes |
|----------------------|---|--------------------------|------------------|----------------------|---------------|-------|
| <b>VSNVS DC, LDO</b> |   |                          |                  |                      |               |       |
| $V_{SNVS}$           | Output voltage<br><ul style="list-style-type: none"> <li><math>5.0\text{ }\mu\text{A} &lt; I_{SNVS} &lt; 400\text{ }\mu\text{A}</math> (OFF) <ul style="list-style-type: none"> <li><math>3.20\text{ V} &lt; V_{IN} &lt; 4.5\text{ V}</math>, <math>V_{SNVSVOLT}[2:0] = 110</math></li> <li><math>V_{TL0}/V_{TH} &lt; V_{IN} &lt; 4.5\text{ V}</math>, <math>V_{SNVSVOLT}[2:0] = [000] - [101]</math></li> </ul> </li> <li><math>5.0\text{ }\mu\text{A} &lt; I_{SNVS} &lt; 400\text{ }\mu\text{A}</math> (ON) <ul style="list-style-type: none"> <li><math>3.20\text{ V} &lt; V_{IN} &lt; 4.5\text{ V}</math>, <math>V_{SNVSVOLT}[2:0] = 110</math></li> <li><math>UVDET &lt; V_{IN} &lt; 4.5\text{ V}</math>, <math>V_{SNVSVOLT}[2:0] = [000] - [101]</math></li> </ul> </li> <li><math>5.0\text{ }\mu\text{A} &lt; I_{SNVS} &lt; 400\text{ }\mu\text{A}</math> (Coin Cell mode) <ul style="list-style-type: none"> <li><math>2.84\text{ V} &lt; V_{COIN} &lt; 3.3\text{ V}</math>, <math>V_{SNVSVOLT}[2:0] = 110</math></li> <li><math>1.8\text{ V} &lt; V_{COIN} &lt; 3.3\text{ V}</math>, <math>V_{SNVSVOLT}[2:0] = [000] - [101]</math></li> </ul> </li> </ul> | -5.0%<br>-8.0%           | 3.0<br>1.0 - 1.8 | 7.0%<br>7.0%         | V             |       |
|                      |   | -5.0%<br>-4.0%           | 3.0<br>1.0 - 1.8 | 5.0%<br>4.0%         |               |       |
|                      |   | $V_{COIN}-0.04$<br>-8.0% | –<br>1.0 - 1.8   | $V_{COIN}$<br>7.0%   |               | (77)  |
| $V_{SNVS\_DROP}$     | Dropout voltage<br><ul style="list-style-type: none"> <li><math>V_{IN} = V_{COIN} = 2.85\text{ V}</math>, <math>V_{SNVSVOLT}[2:0] = 110</math>, <math>I_{SNVS} = 400\text{ }\mu\text{A}</math></li> </ul>   | –                        | –                | 50                   | mV            |       |
| $I_{SNVS\_LIM}$      | Current limit<br><ul style="list-style-type: none"> <li>MMPF0100 <ul style="list-style-type: none"> <li><math>V_{IN} &gt; V_{TH1}</math>, <math>V_{SNVSVOLT}[2:0] = 110</math></li> <li><math>V_{IN} &gt; V_{TH0}</math>, <math>V_{SNVSVOLT}[2:0] = 000</math> to <math>101</math></li> <li><math>V_{IN} &lt; V_{TL0}</math>, <math>V_{SNVSVOLT}[2:0] = 000</math> to <math>101</math></li> </ul> </li> <li>MMPF0100A <ul style="list-style-type: none"> <li><math>V_{IN} &gt; V_{TH1}</math>, <math>V_{SNVSVOLT}[2:0] = 110</math></li> <li><math>V_{IN} &gt; V_{TH0}</math>, <math>V_{SNVSVOLT}[2:0] = 000</math> to <math>101</math></li> <li><math>V_{IN} &lt; V_{TL0}</math>, <math>V_{SNVSVOLT}[2:0] = 000</math> to <math>101</math></li> </ul> </li> </ul>  | 750<br>500<br>480        | –<br>–<br>–      | 5900<br>5900<br>3600 | $\mu\text{A}$ |       |
|                      |   | 1100<br>500<br>480       | –<br>–<br>–      | 6750<br>6750<br>4500 |               |       |
| $V_{TH0}$            | $V_{IN}$ Threshold (coin cell powered to $V_{IN}$ powered) $V_{IN}$ going high with valid coin cell<br><ul style="list-style-type: none"> <li><math>V_{SNVSVOLT}[2:0] = 000, 001, 010, 011, 100, 101</math></li> </ul>  | 2.25                     | 2.40             | 2.55                 | V             |       |
| $V_{TL0}$            | $V_{IN}$ threshold ( $V_{IN}$ powered to coin cell powered) $V_{IN}$ going low with valid coin cell<br><ul style="list-style-type: none"> <li><math>V_{SNVSVOLT}[2:0] = 000, 001, 010, 011, 100, 101</math></li> </ul>  | 2.20                     | 2.35             | 2.50                 | V             |       |
| $V_{HYST1}$          | $V_{IN}$ threshold hysteresis for $V_{TH1}-V_{TL1}$   | 5.0                      | –                | –                    | mV            |       |
| $V_{HYST0}$          | $V_{IN}$ threshold hysteresis for $V_{TH0}-V_{TL0}$   | 5.0                      | –                | –                    | mV            |       |
| $V_{SNVS\_CROSS}$    | Output voltage during crossover<br><ul style="list-style-type: none"> <li><math>V_{SNVSVOLT}[2:0] = 110</math></li> <li><math>V_{COIN} &gt; 2.9\text{ V}</math></li> <li>Switch to LDO: <math>V_{IN} &gt; 2.825\text{ V}</math>, <math>I_{SNVS} = 100\text{ }\mu\text{A}</math></li> <li>LDO to Switch: <math>V_{IN} &lt; 3.05\text{ V}</math>, <math>I_{SNVS} = 100\text{ }\mu\text{A}</math></li> </ul>   | 2.7                      | –                | –                    | V             | (80)  |

**VSNVS AC and transient**

|                  |   |        |          |        |    |           |
|------------------|---|--------|----------|--------|----|-----------|
| $t_{ON\_SNVS}$   | Turn-on time (load capacitor, $0.47\text{ }\mu\text{F}$ )<br><ul style="list-style-type: none"> <li><math>V_{IN} &gt; UVDET</math> to 90% of <math>V_{SNVS}</math></li> <li><math>V_{COIN} = 0.0\text{ V}</math>, <math>I_{SNVS} = 5.0\text{ }\mu\text{A}</math></li> <li><math>V_{SNVSVOLT}[2:0] = 000</math> to <math>110</math></li> </ul> | –      | –        | 24     | ms | (78),(79) |
| $V_{SNVS\_SOSH}$ | Start-up overshoot<br><ul style="list-style-type: none"> <li><math>V_{SNVSVOLT}[2:0] = 000</math> to <math>110</math></li> <li><math>I_{SNVS} = 5.0\text{ }\mu\text{A}</math></li> <li><math>dV_{IN}/dt = 50\text{ mV}/\mu\text{s}</math></li> </ul>  | –      | 40       | 70     | mV |           |
| $V_{SNVSLITR}$   | Transient line response $I_{SNVS} = 75\%$ of $I_{SNVS\_MAX}$<br><ul style="list-style-type: none"> <li><math>3.2\text{ V} &lt; V_{IN} &lt; 4.5\text{ V}</math>, <math>V_{SNVSVOLT}[2:0] = 110</math></li> <li><math>2.45\text{ V} &lt; V_{IN} &lt; 4.5\text{ V}</math>, <math>V_{SNVSVOLT}[2:0] = [000] - [101]</math></li> </ul>             | –<br>– | 32<br>22 | –<br>– | mV |           |

**Table 111. VSNVS electrical characteristics (continued)**

All parameters are specified at  $T_{MIN}$  to  $T_{MAX}$  (See Table 3),  $V_{IN} = 3.6\text{ V}$ ,  $V_{SNVS} = 3.0\text{ V}$ ,  $I_{SNVS} = 5.0\text{ }\mu\text{A}$ , typical external component values, unless otherwise noted. Typical values are characterized at  $V_{IN} = 3.6\text{ V}$ ,  $V_{SNVS} = 3.0\text{ V}$ ,  $I_{SNVS} = 5.0\text{ }\mu\text{A}$ , and  $25\text{ }^\circ\text{C}$ , unless otherwise noted.

| Symbol | Parameter | Min | Typ | Max | Unit | Notes |
|--------|-----------|-----|-----|-----|------|-------|
|--------|-----------|-----|-----|-----|------|-------|

**VSNVS AC and transient (continued)**

|                |   |     |     |     |   |  |
|----------------|---|-----|-----|-----|---|--|
| $V_{SNVSLOTR}$ | Transient load response   | 2.8 | –   | –   | V |  |
|                | <ul style="list-style-type: none"> <li>• <math>V_{SNVSVOLT}[2:0] = 110</math></li> <li>• <math>3.1\text{ V (UVDETL)} &lt; V_{IN} \leq 4.5\text{ V}</math></li> <li>• <math>I_{SNVS} = 75\text{ to }750\text{ }\mu\text{A}</math></li> <li>• <math>V_{SNVSVOLT}[2:0] = 000\text{ to }101</math></li> <li>• <math>2.45\text{ V} &lt; V_{IN} \leq 4.5\text{ V}</math></li> <li>• <math>V_{TLO} &gt; V_{IN}</math>, <math>1.8\text{ V} \leq V_{COIN} \leq 3.3\text{ V}</math></li> <li>• <math>I_{SNVS} = 40\text{ to }400\text{ }\mu\text{A}</math></li> <li>• Refer to Figure 31</li> </ul> | –   | 1.0 | 2.0 | % |  |

**VSNVS DC, switch**

|                |  |       |      |      |               |      |
|----------------|--|-------|------|------|---------------|------|
| $V_{INSNVS}$   | Operating input voltage <ul style="list-style-type: none"> <li>• Valid coin cell range</li> </ul>  | 1.8   | –    | 3.3  | V             |      |
| $I_{SNVS}$     | Operating load current   | 5.0   | –    | 400  | $\mu\text{A}$ |      |
| $R_{DSONSNVS}$ | Internal switch $R_{DS(on)}$ <ul style="list-style-type: none"> <li>• <math>V_{COIN} = 2.6\text{ V}</math></li> </ul>                                | –     | –    | 100  | $\Omega$      |      |
| $V_{TL1}$      | $V_{IN}$ threshold ( $V_{IN}$ powered to coin cell powered) <ul style="list-style-type: none"> <li>• <math>V_{SNVSVOLT}[2:0] = 110</math></li> </ul> | 2.725 | 2.90 | 3.00 | V             | (80) |
| $V_{TH1}$      | $V_{IN}$ threshold (coin cell powered to $V_{IN}$ powered) <ul style="list-style-type: none"> <li>• <math>V_{SNVSVOLT}[2:0] = 110</math></li> </ul>  | 2.775 | 2.95 | 3.1  | V             |      |

## Notes

77. For 1.8 V  $I_{SNVS}$  limited to 100  $\mu\text{A}$  for  $V_{COIN} < 2.1\text{ V}$
78. The start-up of VSNVS is not monotonic. It first rises to 1.0 V and then settles to its programmed value within the specified  $t_{r1}$  time.
79. From coin cell insertion to  $V_{SNVS} = 1.0\text{ V}$ , the delay time is typically 400 ms.
80. During crossover from  $V_{IN}$  to LICELL, the VSNVS output voltage may drop to 2.7 V before going to the LICELL voltage. Though this is outside the specified DC voltage level for the  $V_{DD\_SNVS\_IN}$  pin of the i.MX 6, this momentary drop does not cause any malfunction. The i.MX 6's RTC continues to operate through the transition, and as a worst case it may switch to the internal RC oscillator for a few clock cycles before switching back to the external crystal oscillator.

### 6.4.7.1 Coin cell battery backup

The LICELL pin provides for a connection of a coin cell backup battery or a “super” capacitor. If the voltage at  $V_{IN}$  goes below the  $V_{IN}$  threshold ( $V_{TL1}$  and  $V_{TLO}$ ), contact-bounced, or removed, the coin cell maintained logic is powered by the voltage applied to LICELL. The supply for internal logic and the VSNVS rail switches over to the LICELL pin when  $V_{IN}$  goes below  $V_{TL1}$  or  $V_{TLO}$ , even in the absence of a voltage at the LICELL pin, resulting in clearing of memory and turning off of VSNVS. When system operation below  $V_{TL1}$  is required, for systems not utilizing a coin cell, connect the LICELL pin to any system voltage between 1.8 V and 3.0 V. A small capacitor should be placed from LICELL to ground under all circumstances.

#### 6.4.7.1.1 Coin cell charger control

The coin cell charger circuit functions as a current-limited voltage source, resulting in the CC/CV taper characteristic typically used for rechargeable Lithium-Ion batteries. The coin cell charger is enabled via the COINCHEN bit while the coin cell voltage is programmable through the  $V_{COIN}[2:0]$  bits on register COINCTL on Table 113. The coin cell charger voltage is programmable. In the on state, the charger current is fixed at ICOINH1. In Sleep and Standby modes, the charger current is reduced to a typical 10  $\mu\text{A}$ . In the off state, coin cell charging is not available as the main battery could be depleted unnecessarily. The coin cell charging stops when  $V_{IN}$  is below UVDET.

**Table 112. Coin cell charger voltage**

| VCOIN[2:0] | V <sub>COIN</sub> (V) <sup>(81)</sup> |
|------------|---------------------------------------|
| 000        | 2.50                                  |
| 001        | 2.70                                  |
| 010        | 2.80                                  |
| 011        | 2.90                                  |
| 100        | 3.00                                  |
| 101        | 3.10                                  |
| 110        | 3.20                                  |
| 111        | 3.30                                  |

**Notes**

81. Coin cell voltages selected based on the type of LICELL used on the system.

**Table 113. Register COINCTL - ADDR 0x1A**

| Name     | Bit # | R/W | Default | Description  |
|----------|-------|-----|---------|--|
| VCOIN    | 2:0   | R/W | 0x00    | Coin cell charger output voltage selection. See <a href="#">Table 112</a> for all options selectable through these bits. |
| COINCHEN | 3     | R/W | 0x00    | Enable or disable the coin cell charger  |
| UNUSED   | 7:4   | –   | 0x00    | unused   |

**6.4.7.1.2 External components****Table 114. Coin cell charger external components**

| Component               | Value | Units |
|-------------------------|-------|-------|
| LICELL bypass capacitor | 100   | nF    |

**6.4.7.1.3 Coin cell specifications****Table 115. Coin cell charger specifications**

| Parameter                                   | Typ | Unit |
|---|-----|------|
| Voltage accuracy                            | 100 | mV   |
| Coin cell charge current in on mode ICOINH1 | 60  | μA   |
| Current accuracy                            | 30  | %    |

## 6.5 Control interface I<sup>2</sup>C block description

The PF0100 contains an I<sup>2</sup>C interface port which allows access by a processor, or any I<sup>2</sup>C master, to the register set. Via these registers the resources of the IC can be controlled. The registers also provide status information about how the IC is operating.

The SCL and SDA lines should be routed away from noisy signals and planes to minimize noise pick up. To prevent reflections in the SCL and SDA traces from creating false pulses, the rise and fall times of the SCL and SDA signals must be greater than 20 ns. This can be accomplished by reducing the drive strength of the I<sup>2</sup>C master via software. The i.MX6 I<sup>2</sup>C driver defaults to a 40 Ω drive strength. It is recommended to use a drive strength of 80 Ω or higher to increase the edge times. Alternatively, this can be accomplished by using small capacitors from SCL and SDA to ground. For example, use 5.1 pF capacitors from SCL and SDA to ground for bus pull-up resistors of 4.8 kΩ.

### 6.5.1 I<sup>2</sup>C device ID

I<sup>2</sup>C interface protocol requires a device ID for addressing the target IC on a multi-device bus. To allow flexibility in addressing for bus conflict avoidance, fuse programmability is provided to allow configuration for the lower 3 address LSB(s). Refer to [6.1.2 One time programmability \(OTP\), page 21](#) for more details. This product supports 7-bit addressing only; support is not provided for 10-bit or general call addressing. Note, when the TBB bits for the I<sup>2</sup>C slave address are written, the next access to the chip, must then use the new slave address; these bits take affect right away.

### 6.5.2 I<sup>2</sup>C operation

The I<sup>2</sup>C mode of the interface is implemented generally following the fast mode definition which supports up to 400 kbits/s operation (exceptions to the standard are noted to be 7-bit only addressing and no support for general call addressing.) Timing diagrams, electrical specifications, and further details can be found in the I<sup>2</sup>C specification, which is available for download at:

[http://www.nxp.com/acrobat\\_download/literature/9398/39340011.pdf](http://www.nxp.com/acrobat_download/literature/9398/39340011.pdf)

I<sup>2</sup>C read operations are also performed in byte increments separated by an ACK. Read operations also begin with the MSB and each byte is sent out unless a STOP command or NACK is received prior to completion.

The following examples show how to write and read data to and from the IC. The host initiates and terminates all communication. The host sends a master command packet after driving the start condition. The device responds to the host if the master command packet contains the corresponding slave address. In the following examples, the device is shown always responding with an ACK to transmissions from the host. If at any time a NACK is received, the host should terminate the current transaction and retry the transaction.

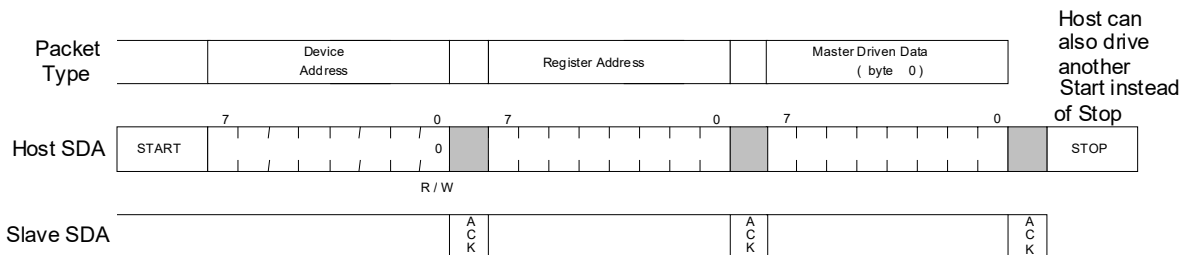


Figure 33. I<sup>2</sup>C write example

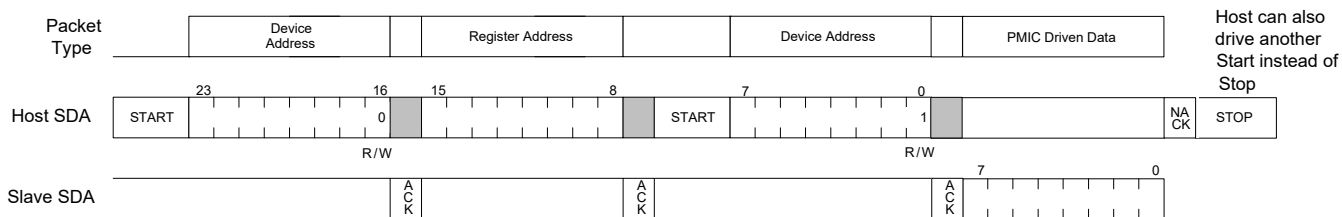


Figure 34. I<sup>2</sup>C read example

## 6.5.3 Interrupt handling

The system is informed about important events based on interrupts. Unmasked interrupt events are signaled to the processor by driving the INTB pin low.

Each interrupt is latched so even if the interrupt source becomes inactive, the interrupt remains set until cleared. Each interrupt can be cleared by writing a “1” to the appropriate bit in the Interrupt Status register; this also causes the INTB pin to go high. If there are multiple interrupt bits set the INTB pin remains low until all are either masked or cleared. If a new interrupt occurs while the processor clears an existing interrupt bit, the INTB pin remains low.

Each interrupt can be masked by setting the corresponding mask bit to a 1. As a result, when a masked interrupt bit goes high, the INTB pin does not go low. A masked interrupt can still be read from the Interrupt Status register. This gives the processor the option of polling for status from the IC. The IC powers up with all interrupts masked, so the processor must initially poll the device to determine if any interrupts are active. Alternatively, the processor can unmask the interrupt bits of interest. If a masked interrupt bit was already high, the INTB pin goes low after unmasking.

The sense registers contain status and input sense bits so the system processor can poll the current state of interrupt sources. They are read only, and not latched or clearable.

Interrupts generated by external events are debounced; therefore, the event needs to be stable throughout the debounce period before an interrupt is generated. Nominal debounce periods for each event are documented in the INT summary [Table 116](#). Due to the asynchronous nature of the debounce timer, the effective debounce time can vary slightly.

## 6.5.4 Interrupt bit summary

[Table 116](#) summarizes all interrupt, mask, and sense bits associated with INTB control. For more detailed behavioral descriptions, refer to the related chapters.

**Table 116. Interrupt, mask and sense bits**

| Interrupt  | Mask       | Sense      | Purpose   | Trigger | Debounce time (ms)    |
|------------|------------|------------|---|---------|-----------------------|
| LOWVINI    | LOWVINM    | LOWVINS    | Low input voltage detect<br>Sense is 1 if below 2.80 V threshold    | H to L  | 3.9 <sup>(82)</sup>   |
| PWRONI     | PWRONM     | PWRONS     | Power on button event   | H to L  | 31.25 <sup>(82)</sup> |
|            |            |            | Sense is 1 if PWRON is high.  | L to H  | 31.25                 |
| THERM110   | THERM110M  | THERM110S  | Thermal 110 °C threshold<br>Sense is 1 if above threshold           | Dual    | 3.9                   |
| THERM120   | THERM120M  | THERM120S  | Thermal 120 °C threshold<br>Sense is 1 if above threshold           | Dual    | 3.9                   |
| THERM125   | THERM125M  | THERM125S  | Thermal 125 °C threshold<br>Sense is 1 if above threshold           | Dual    | 3.9                   |
| THERM130   | THERM130M  | THERM130S  | Thermal 130 °C threshold<br>Sense is 1 if above threshold           | Dual    | 3.9                   |
| SW1AFAULTI | SW1AFAULTM | SW1AFAULTS | Regulator 1A overcurrent limit<br>Sense is 1 if above current limit | L to H  | 8.0                   |
| SW1BFAULTI | SW1BFAULTM | SW1BFAULTS | Regulator 1B overcurrent limit<br>Sense is 1 if above current limit | L to H  | 8.0                   |
| SW1CFAULTI | SW1CFAULTM | SW1CFAULTS | Regulator 1C overcurrent limit<br>Sense is 1 if above current limit | L to H  | 8.0                   |
| SW2FAULTI  | SW2FAULTM  | SW2FAULTS  | Regulator 2 overcurrent limit<br>Sense is 1 if above current limit  | L to H  | 8.0                   |
| SW3AFAULTI | SW3AFAULTM | SW3AFAULTS | Regulator 3A overcurrent limit<br>Sense is 1 if above current limit | L to H  | 8.0                   |
| SW3BFAULTI | SW3BFAULTM | SW3BFAULTS | Regulator 3B overcurrent limit<br>Sense is 1 if above current limit | L to H  | 8.0                   |
| SW4FAULTI  | SW4FAULTM  | SW4FAULTS  | Regulator 4 overcurrent limit<br>Sense is 1 if above current limit  | L to H  | 8.0                   |

**Table 116. Interrupt, mask and sense bits (continued)**

| Interrupt   | Mask        | Sense       | Purpose  | Trigger | Debounce time (ms) |
|-------------|-------------|-------------|--|---------|--------------------|
| SWBSTFAULTI | SWBSTFAULTM | SWBSTFAULTS | SWBST overcurrent limit<br>Sense is 1 if above current limit               | L to H  | 8.0                |
| VGEN1FAULTI | VGEN1FAULTM | VGEN1FAULTS | VGEN1 overcurrent limit<br>Sense is 1 if above current limit               | L to H  | 8.0                |
| VGEN2FAULTI | VGEN2FAULTM | VGEN2FAULTS | VGEN2 overcurrent limit<br>Sense is 1 if above current limit               | L to H  | 8.0                |
| VGEN3FAULTI | VGEN3FAULTM | VGEN3FAULTS | VGEN3 overcurrent limit<br>Sense is 1 if above current limit               | L to H  | 8.0                |
| VGEN4FAULTI | VGEN4FAULTM | VGEN4FAULTS | VGEN4 overcurrent limit<br>Sense is 1 if above current limit               | L to H  | 8.0                |
| VGEN5FAULTI | VGEN5FAULTM | VGEN1FAULTS | VGEN5 overcurrent limit<br>Sense is 1 if above current limit               | L to H  | 8.0                |
| VGEN6FAULTI | VGEN6FAULTM | VGEN6FAULTS | VGEN6 overcurrent limit<br>Sense is 1 if above current limit               | L to H  | 8.0                |
| OTP_ECCI    | OTP_ECCM    | OTP_ECCS    | 1 or 2 bit error detected in OTP registers<br>Sense is 1 if error detected | L to H  | 8.0                |

## Notes

82. Debounce timing for the falling edge can be extended with PWRONDBNC[1:0].

A full description of all interrupt, mask, and sense registers is provided in [Tables 117](#) to [128](#).

**Table 117. Register INTSTAT0 - ADDR 0x05**

| Name      | Bit # | R/W   | Default | Description                  |
|-----------|-------|-------|---------|------------------------------|
| PWRONI    | 0     | R/W1C | 0       | Power on interrupt bit       |
| LOWVINI   | 1     | R/W1C | 0       | Low-voltage interrupt bit    |
| THERM110I | 2     | R/W1C | 0       | 110 °C Thermal interrupt bit |
| THERM120I | 3     | R/W1C | 0       | 120 °C Thermal interrupt bit |
| THERM125I | 4     | R/W1C | 0       | 125 °C Thermal interrupt bit |
| THERM130I | 5     | R/W1C | 0       | 130 °C Thermal interrupt bit |
| UNUSED    | 7:6   | –     | 00      | unused                       |

**Table 118. Register INTMASK0 - ADDR 0x06**

| Name      | Bit # | R/W   | Default | Description                       |
|-----------|-------|-------|---------|-----------------------------------|
| PWRONM    | 0     | R/W1C | 1       | Power on interrupt mask bit       |
| LOWVINM   | 1     | R/W1C | 1       | Low-voltage interrupt mask bit    |
| THERM110M | 2     | R/W1C | 1       | 110 °C thermal interrupt mask bit |
| THERM120M | 3     | R/W1C | 1       | 120 °C thermal interrupt mask bit |
| THERM125M | 4     | R/W1C | 1       | 125 °C thermal interrupt mask bit |
| THERM130M | 5     | R/W1C | 1       | 130 °C thermal interrupt mask bit |
| UNUSED    | 7:6   | –     | 00      | unused                            |

**Table 119. Register INTSENSE0 - ADDR 0x07**

| Name      | Bit # | R/W | Default | Description   |
|-----------|-------|-----|---------|---|
| PWRONS    | 0     | R   | 0       | Power on sense bit<br>• 0 = PWRON low<br>• 1 = PWRON high   |
| LOWVINS   | 1     | R   | 0       | Low-voltage sense bit<br>• 0 = VIN > 2.8 V<br>• 1 = VIN ≤ 2.8 V                                     |
| THERM110S | 2     | R   | 0       | 110 °C thermal sense bit<br>• 0 = Below threshold<br>• 1 = Above threshold                          |
| THERM120S | 3     | R   | 0       | 120 °C thermal sense bit<br>• 0 = Below threshold<br>• 1 = Above threshold                          |
| THERM125S | 4     | R   | 0       | 125 °C thermal sense bit<br>• 0 = Below threshold<br>• 1 = Above threshold                          |
| THERM130S | 5     | R   | 0       | 130 °C thermal sense bit<br>• 0 = Below threshold<br>• 1 = Above threshold                          |
| UNUSED    | 6     | –   | 0       | unused  |
| VDDOTPS   | 7     | R   | 00      | Additional VDDOTP voltage sense pin<br>• 0 = VDDOTP grounded<br>• 1 = VDDOTP to VCOREDIG or greater |

**Table 120. Register INTSTAT1 - ADDR 0x08**

| Name       | Bit # | R/W   | Default | Description                    |
|------------|-------|-------|---------|--------------------------------|
| SW1AFAULTI | 0     | R/W1C | 0       | SW1A overcurrent interrupt bit |
| SW1BFAULTI | 1     | R/W1C | 0       | SW1B overcurrent interrupt bit |
| SW1CFAULTI | 2     | R/W1C | 0       | SW1C overcurrent interrupt bit |
| SW2FAULTI  | 3     | R/W1C | 0       | SW2 overcurrent interrupt bit  |
| SW3AFAULTI | 4     | R/W1C | 0       | SW3A overcurrent interrupt bit |
| SW3BFAULTI | 5     | R/W1C | 0       | SW3B overcurrent interrupt bit |
| SW4FAULTI  | 6     | R/W1C | 0       | SW4 overcurrent interrupt bit  |
| UNUSED     | 7     | –     | 0       | unused                         |

**Table 121. Register INTMASK1 - ADDR 0x09**

| Name       | Bit # | R/W | Default | Description                         |
|------------|-------|-----|---------|-------------------------------------|
| SW1AFAULTM | 0     | R/W | 1       | SW1A overcurrent interrupt mask bit |
| SW1BFAULTM | 1     | R/W | 1       | SW1B overcurrent interrupt mask bit |
| SW1CFAULTM | 2     | R/W | 1       | SW1C overcurrent interrupt mask bit |
| SW2FAULTM  | 3     | R/W | 1       | SW2 overcurrent interrupt mask bit  |
| SW3AFAULTM | 4     | R/W | 1       | SW3A overcurrent interrupt mask bit |
| SW3BFAULTM | 5     | R/W | 1       | SW3B overcurrent interrupt mask bit |

**Table 121. Register INTMASK1 - ADDR 0x09 (continued)**

| Name      | Bit # | R/W | Default | Description                        |
|-----------|-------|-----|---------|------------------------------------|
| SW4FAULTM | 6     | R/W | 1       | SW4 overcurrent interrupt mask bit |
| UNUSED    | 7     | –   | 0       | unused                             |

**Table 122. Register INTSENSE1 - ADDR 0x0A**

| Name       | Bit # | R/W | Default | Description   |
|------------|-------|-----|---------|---|
| SW1AFAULTS | 0     | R   | 0       | SW1A overcurrent sense bit<br>• 0 = Normal operation<br>• 1 = Above current limit |
| SW1BFAULTS | 1     | R   | 0       | SW1B overcurrent sense bit<br>• 0 = Normal operation<br>• 1 = Above current limit |
| SW1CFAULTS | 2     | R   | 0       | SW1C overcurrent sense bit<br>• 0 = Normal operation<br>• 1 = Above current limit |
| SW2FAULTS  | 3     | R   | 0       | SW2 overcurrent sense bit<br>• 0 = Normal operation<br>• 1 = Above current limit  |
| SW3AFAULTS | 4     | R   | 0       | SW3A overcurrent sense bit<br>• 0 = Normal operation<br>• 1 = Above current limit |
| SW3BFAULTS | 5     | R   | 0       | SW3B overcurrent sense bit<br>• 0 = Normal operation<br>• 1 = Above current limit |
| SW4FAULTS  | 6     | R   | 0       | SW4 overcurrent sense bit<br>• 0 = Normal operation<br>• 1 = Above current limit  |
| UNUSED     | 7     | –   | 0       | unused  |

**Table 123. Register INTSTAT3 - ADDR 0x0E**

| Name        | Bit # | R/W   | Default | Description                           |
|-------------|-------|-------|---------|---------------------------------------|
| SWBSTFAULTI | 0     | R/W1C | 0       | SWBST overcurrent limit interrupt bit |
| UNUSED      | 6:1   | –     | 0x00    | unused                                |
| OTP_ECCI    | 7     | R/W1C | 0       | OTP error interrupt bit               |

**Table 124. Register INTMASK3 - ADDR 0x0F**

| Name        | Bit # | R/W | Default | Description                                |
|-------------|-------|-----|---------|--|
| SWBSTFAULTM | 0     | R/W | 1       | SWBST overcurrent limit interrupt mask bit |
| UNUSED      | 6:1   | –   | 0x00    | unused                                     |
| OTP_ECCM    | 7     | R/W | 1       | OTP error interrupt mask bit               |

**Table 125. Register INTSENSE3 - ADDR 0x10**

| Name        | Bit # | R/W | Default | Description  |
|-------------|-------|-----|---------|--|
| SWBSTFAULTS | 0     | R   | 0       | SWBST overcurrent limit sense bit<br>• 0 = Normal operation<br>• 1 = Above current limit |
| UNUSED      | 6:1   | –   | 0x00    | unused   |
| OTP_ECCS    | 7     | R   | 0       | OTP error sense bit<br>• 0 = No error detected<br>• 1 = OTP error detected               |

**Table 126. Register INTSTAT4 - ADDR 0x11**

| Name        | Bit # | R/W   | Default | Description                     |
|-------------|-------|-------|---------|---------------------------------|
| VGEN1FAULTI | 0     | R/W1C | 0       | VGEN1 overcurrent interrupt bit |
| VGEN2FAULTI | 1     | R/W1C | 0       | VGEN2 overcurrent interrupt bit |
| VGEN3FAULTI | 2     | R/W1C | 0       | VGEN3 overcurrent interrupt bit |
| VGEN4FAULTI | 3     | R/W1C | 0       | VGEN4 overcurrent interrupt bit |
| VGEN5FAULTI | 4     | R/W1C | 0       | VGEN5 overcurrent interrupt bit |
| VGEN6FAULTI | 5     | R/W1C | 0       | VGEN6 overcurrent interrupt bit |
| UNUSED      | 7:6   | –     | 00      | unused                          |

**Table 127. Register INTMASK4 - ADDR 0x12**

| Name        | Bit # | R/W | Default | Description                          |
|-------------|-------|-----|---------|--------------------------------------|
| VGEN1FAULTM | 0     | R/W | 1       | VGEN1 overcurrent interrupt mask bit |
| VGEN2FAULTM | 1     | R/W | 1       | VGEN2 overcurrent interrupt mask bit |
| VGEN3FAULTM | 2     | R/W | 1       | VGEN3 overcurrent interrupt mask bit |
| VGEN4FAULTM | 3     | R/W | 1       | VGEN4 overcurrent interrupt mask bit |
| VGEN5FAULTM | 4     | R/W | 1       | VGEN5 overcurrent interrupt mask bit |
| VGEN6FAULTM | 5     | R/W | 1       | VGEN6 overcurrent interrupt mask bit |
| UNUSED      | 7:6   | –   | 00      | unused                               |

**Table 128. Register INTSENSE4 - ADDR 0x13**

| Name        | Bit # | R/W | Default | Description  |
|-------------|-------|-----|---------|--|
| VGEN1FAULTS | 0     | R   | 0       | VGEN1 overcurrent sense bit<br>• 0 = Normal operation<br>• 1 = Above current limit |
| VGEN2FAULTS | 1     | R   | 0       | VGEN2 overcurrent sense bit<br>• 0 = Normal operation<br>• 1 = Above current limit |
| VGEN3FAULTS | 2     | R   | 0       | VGEN3 overcurrent sense bit<br>• 0 = Normal operation<br>• 1 = Above current limit |
| VGEN4FAULTS | 3     | R   | 0       | VGEN4 overcurrent sense bit<br>• 0 = Normal operation<br>• 1 = Above current limit |

**Table 128. Register INTSENSE4 - ADDR 0x13 (continued)**

| Name        | Bit # | R/W | Default | Description  |
|-------------|-------|-----|---------|--|
| VGEN5FAULTS | 4     | R   | 0       | VGEN5 overcurrent sense bit<br>• 0 = Normal operation<br>• 1 = Above current limit |
| VGEN6FAULTS | 5     | R   | 0       | VGEN6 overcurrent sense bit<br>• 0 = Normal operation<br>• 1 = Above current limit |
| UNUSED      | 7:6   | –   | 00      | unused   |

## 6.5.5 Specific registers

### 6.5.5.1 IC and version identification

The IC and other version details can be read via identification bits. These are hard-wired on chip and described in [Tables 129](#) to [131](#).

**Table 129. Register DEVICEID - ADDR 0x00**

| Name     | Bit # | R/W | Default | Description                     |
|----------|-------|-----|---------|---------------------------------|
| DEVICEID | 3:0   | R   | 0x00    | Die version.<br>• 0000 = PF0100 |
| UNUSED   | 7:4   | –   | 0x01    | unused                          |

**Table 130. Register SILICON REV- ADDR 0x03**

| Name            | Bit # | R/W | Default | Description   |
|-----------------|-------|-----|---------|---|
| METAL_LAYER_REV | 3:0   | R   | 0x00    | Represents the metal mask revision<br>• Pass 0.0 = 0000<br>• .<br>• .<br>• Pass 0.15 = 1111 |
| FULL_LAYER_REV  | 7:4   | R   | 0x01    | Represents the full mask revision<br>• Pass 1.0 = 0001<br>• .<br>• .<br>• Pass 15.0 = 1111  |

**Table 131. Register FABID - ADDR 0x04**

| Name   | Bit # | R/W | Default | Description  |
|--------|-------|-----|---------|--|
| FIN    | 1:0   | R   | 0x00    | Allows for characterizing different options within the same reticule |
| FAB    | 3:2   | R   | 0x00    | Represents the wafer manufacturing facility                          |
| Unused | 7:0   | R   | 0x00    | unused   |

### 6.5.5.2 Embedded memory

There are four register banks of general purpose embedded memory to store critical data. The data written to MEMA[7:0], MEMB[7:0], MEMC[7:0], and MEMD[7:0] is maintained by the coin cell when the main battery is deeply discharged, removed, or contact-bounced. The contents of the embedded memory are reset by COINPORB. The banks can be used for any system need for bit retention with coin cell backup.

**Table 132. Register MEMA ADDR 0x1C**

| Name | Bit # | R/W | Default | Description   |
|------|-------|-----|---------|---------------|
| MEMA | 7:0   | R/W | 0       | Memory bank A |

**Table 133. Register MEMB ADDR 0x1D**

| Name | Bit # | R/W | Default | Description   |
|------|-------|-----|---------|---------------|
| MEMB | 7:0   | R/W | 0       | Memory bank B |

**Table 134. Register MEMC ADDR 0x1E**

| Name | Bit # | R/W | Default | Description   |
|------|-------|-----|---------|---------------|
| MEMC | 7:0   | R/W | 0       | Memory bank C |

**Table 135. Register MEMD ADDR 0x1F**

| Name | Bit # | R/W | Default | Description   |
|------|-------|-----|---------|---------------|
| MEMD | 7:0   | R/W | 0       | Memory bank D |

## 6.5.6 Register bitmap

The register map is comprised of thirty-two pages, and its address and data fields are each eight bits wide. Only the first two pages can be accessed. On each page, registers 0 to 0x7F are referred to as *'functional'*, and registers 0x80 to 0xFF as *'extended'*. On each page, the functional registers are the same, but the extended registers are different. To access registers in [Table 137. Extended page 1, page 111](#), one must first write 0x01 to the page register at address 0x7F, and to access registers in [Table 138. Extended Page 2, page 115](#), one must first write 0x02 to the page register at address 0x7F. To access [Table 136. Functional page, page 108](#) from one of the extended pages, no write to the page register is necessary.

Registers missing in the sequence are reserved; reading from them returns a value 0x00, and writing to them has no effect.

The contents of all registers are given in the tables defined in this chapter; each table is structure as follows:

**Name:** Name of the bit.

**Bit #:** The bit location in the register (7-0)

**R/W:** Read / Write access and control

- R is read-only access
- R/W is read and write access
- RW1C is read and write access with write 1 to clear

**Reset:** Reset signals are color coded based on the following legend.

|  |
|--|
| Bits reset by SC and VCOREDIG_PORB                         |
| Bits reset by PWRON or loaded default or OTP configuration |
| Bits reset by DIGRESETB                                    |
| Bits reset by PORB or RESETBMCU                            |
| Bits reset by VCOREDIG_PORB                                |
| Bits reset by POR or OFFB                                  |

**Default:** The value after reset, as noted in the default column of the memory map.

- Fixed defaults are explicitly declared as 0 or 1.
- "X" corresponds to read/write bits which are initialized at start-up, based on the OTP fuse settings or default if VDDOTP = 1.5 V. Bits are subsequently I<sup>2</sup>C modifiable, when their reset has been released. "X" may also refer to bits which may have other dependencies. For example, some bits may depend on the version of the IC, or a value from an analog block, for instance the sense bits for the interrupts.

### 6.5.6.1 Register map

Table 136. Functional page

| Add | Register name | R/W  | Default      | BITS[7:0]           |           |             |             |                      |             |             |             |
|-----|---------------|------|--------------|---------------------|-----------|-------------|-------------|----------------------|-------------|-------------|-------------|
|     |               |      |              | 7                   | 6         | 5           | 4           | 3                    | 2           | 1           | 0           |
| 00  | DeviceID      | R    | 8'b0001_0000 | -                   | -         | -           | -           | DEVICE ID [3:0]      |             |             |             |
|     |               |      |              | 0                   | 0         | 0           | 1           | 0                    | 0           | 0           | 0           |
| 03  | SILICONREVID  | R    | 8'b0001_0000 | FULL_LAYER_REV[3:0] |           |             |             | METAL_LAYER_REV[3:0] |             |             |             |
|     |               |      |              | X                   | X         | X           | X           | X                    | X           | X           | X           |
| 04  | FABID         | R    | 8'b0000_0000 | -                   | -         | -           | -           | FAB[1:0]             |             | FIN[1:0]    |             |
|     |               |      |              | 0                   | 0         | 0           | 0           | 0                    | 0           | 0           | 0           |
| 05  | INTSTAT0      | RW1C | 8'b0000_0000 | -                   | -         | THERM130I   | THERM125I   | THERM120I            | THERM110I   | LOWVINI     | PWRONI      |
|     |               |      |              | 0                   | 0         | 0           | 0           | 0                    | 0           | 0           | 0           |
| 06  | INTMASK0      | R/W  | 8'b0011_1111 | -                   | -         | THERM130M   | THERM125M   | THERM120M            | THERM110M   | LOWVINM     | PWRONM      |
|     |               |      |              | 0                   | 0         | 1           | 1           | 1                    | 1           | 1           | 1           |
| 07  | INTSENSE0     | R    | 8'b00xx_xxxx | VDDOTPS             | RSVD      | THERM130S   | THERM125S   | THERM120S            | THERM110S   | LOWVINS     | PWRONS      |
|     |               |      |              | 0                   | 0         | x           | x           | x                    | x           | x           | x           |
| 08  | INTSTAT1      | RW1C | 8'b0000_0000 | -                   | SW4FAULTI | SW3BFAULTI  | SW3AFULTI   | SW2FAULTI            | SW1CFAULTI  | SW1BFAULTI  | SW1AFAULTI  |
|     |               |      |              | 0                   | 0         | 0           | 0           | 0                    | 0           | 0           | 0           |
| 09  | INTMASK1      | R/W  | 8'b0111_1111 | -                   | SW4FAULTM | SW3BFAULTM  | SW3AFULTM   | SW2FAULTM            | SW1CFAULTM  | SW1BFAULTM  | SW1AFAULTM  |
|     |               |      |              | 0                   | 1         | 1           | 1           | 1                    | 1           | 1           | 1           |
| 0A  | INTSENSE1     | R    | 8'b0xxx_xxxx | -                   | SW4FAULTS | SW3BFAULTS  | SW3AFULTS   | SW2FAULTS            | SW1CFAULTS  | SW1BFAULTS  | SW1AFAULTS  |
|     |               |      |              | 0                   | x         | x           | x           | x                    | x           | x           | x           |
| 0E  | INTSTAT3      | RW1C | 8'b0000_0000 | OTP_ECCI            | -         | -           | -           | -                    | -           | -           | SWBSTFAULTI |
|     |               |      |              | 0                   | 0         | 0           | 0           | 0                    | 0           | 0           | 0           |
| 0F  | INTMASK3      | R/W  | 8'b1000_0001 | OTP_ECCM            | -         | -           | -           | -                    | -           | -           | SWBSTFAULTM |
|     |               |      |              | 1                   | 0         | 0           | 0           | 0                    | 0           | 0           | 1           |
| 10  | INTSENSE3     | R    | 8'b0000_000x | OTP_ECCS            | -         | -           | -           | -                    | -           | -           | SWBSTFAULTS |
|     |               |      |              | 0                   | 0         | 0           | 0           | 0                    | 0           | 0           | x           |
| 11  | INTSTAT4      | RW1C | 8'b0000_0000 | -                   | -         | VGEN6FAULTI | VGEN5FAULTI | VGEN4FAULTI          | VGEN3FAULTI | VGEN2FAULTI | VGEN1FAULTI |
|     |               |      |              | 0                   | 0         | 0           | 0           | 0                    | 0           | 0           | 0           |
| 12  | INTMASK4      | R/W  | 8'b0011_1111 | -                   | -         | VGEN6FAULTM | VGEN5FAULTM | VGEN4FAULTM          | VGEN3FAULTM | VGEN2FAULTM | VGEN1FAULTM |
|     |               |      |              | 0                   | 0         | 1           | 1           | 1                    | 1           | 1           | 1           |
| 13  | INTSENSE4     | R    | 8'b00xx_xxxx | -                   | -         | VGEN6FAULTS | VGEN5FAULTS | VGEN4FAULTS          | VGEN3FAULTS | VGEN2FAULTS | VGEN1FAULTS |
|     |               |      |              | 0                   | 0         | x           | x           | x                    | x           | x           | x           |
| 1A  | COINCTL       | R/W  | 8'b0000_0000 | -                   | -         | -           | -           | COINCHEN             | VCOIN[2:0]  |             |             |
|     |               |      |              | 0                   | 0         | 0           | 0           | 0                    | 0           | 0           | 0           |

Table 136. Functional page (continued)

| Add | Register name | R/W   | Default      | BITS[7:0]          |              |                 |   |                 |   |            |           |
|-----|---------------|-------|--------------|--------------------|--------------|-----------------|---|-----------------|---|------------|-----------|
|     |               |       |              | 7                  | 6            | 5               | 4 | 3               | 2 | 1          | 0         |
| 1B  | PWRCTL        | R/W   | 8'b0001_0000 | REGSCPEN           | STANDBYINV   | STBYDLV[1:0]    |   | PWRONBDBNC[1:0] |   | PWRONRSTEN | RESTARTEN |
|     |               |       |              | 0                  | 0            | 0               | 1 | 0               | 0 | 0          | 0         |
| 1C  | MEMA          | R/W   | 8'b0000_0000 | MEMA[7:0]          |              |                 |   |                 |   |            |           |
|     |               |       |              | 0                  | 0            | 0               | 0 | 0               | 0 | 0          | 0         |
| 1D  | MEMB          | R/W   | 8'b0000_0000 | MEMB[7:0]          |              |                 |   |                 |   |            |           |
|     |               |       |              | 0                  | 0            | 0               | 0 | 0               | 0 | 0          | 0         |
| 1E  | MEMC          | R/W   | 8'b0000_0000 | MEMC[7:0]          |              |                 |   |                 |   |            |           |
|     |               |       |              | 0                  | 0            | 0               | 0 | 0               | 0 | 0          | 0         |
| 1F  | MEMD          | R/W   | 8'b0000_0000 | MEMD[7:0]          |              |                 |   |                 |   |            |           |
|     |               |       |              | 0                  | 0            | 0               | 0 | 0               | 0 | 0          | 0         |
| 20  | SW1ABVOLT     | R/W/M | 8'b00xx_xxxx | –                  | –            | SW1AB[5:0]      |   |                 |   |            |           |
|     |               |       |              | 0                  | 0            | x               | x | x               | x | x          | x         |
| 21  | SW1ABSTBY     | R/W   | 8'b00xx_xxxx | –                  | –            | SW1ABSTBY[5:0]  |   |                 |   |            |           |
|     |               |       |              | 0                  | 0            | x               | x | x               | x | x          | x         |
| 22  | SW1ABOFF      | R/W   | 8'b00xx_xxxx | –                  | –            | SW1ABOFF[5:0]   |   |                 |   |            |           |
|     |               |       |              | 0                  | 0            | x               | x | x               | x | x          | x         |
| 23  | SW1ABMODE     | R/W   | 8'b0000_1000 | –                  | –            | SW1ABOMODE      | – | SW1ABMODE[3:0]  |   |            |           |
|     |               |       |              | 0                  | 0            | 0               | 0 | 1               | 0 | 0          | 0         |
| 24  | SW1ABCONF     | R/W   | 8'bx00_x000  | SW1ABDVSSPEED[1:0] |              | SW1BAPHASE[1:0] |   | SW1ABFREQ[1:0]  |   | –          | SW1ABILIM |
|     |               |       |              | x                  | x            | 0               | 0 | x               | x | 0          | 0         |
| 2E  | SW1CVOLT      | R/W   | 8'b00xx_xxxx | –                  | –            | SW1C[5:0]       |   |                 |   |            |           |
|     |               |       |              | 0                  | 0            | x               | x | x               | x | x          | x         |
| 2F  | SW1CSTBY      | R/W   | 8'b00xx_xxxx | –                  | –            | SW1CSTBY[5:0]   |   |                 |   |            |           |
|     |               |       |              | 0                  | 0            | x               | x | x               | x | x          | x         |
| 30  | SW1COFF       | R/W   | 8'b00xx_xxxx | –                  | –            | SW1COFF[5:0]    |   |                 |   |            |           |
|     |               |       |              | 0                  | 0            | x               | x | x               | x | x          | x         |
| 31  | SW1CMODE      | R/W   | 8'b0000_1000 | –                  | –            | SW1COMODE       | – | SW1CMODE[3:0]   |   |            |           |
|     |               |       |              | 0                  | 0            | 0               | 0 | 1               | 0 | 0          | 0         |
| 32  | SW1CCONF      | R/W   | 8'bx00_x000  | SW1CDVSSPEED[1:0]  |              | SW1CPHASE[1:0]  |   | SW1CFREQ[1:0]   |   | –          | SW1CILIM  |
|     |               |       |              | x                  | x            | 0               | 0 | x               | x | 0          | 0         |
| 35  | SW2VOLT       | R/W   | 8'b0xxx_xxxx | –                  | SW2[6:0]     |                 |   |                 |   |            |           |
|     |               |       |              | 0                  | x            | x               | x | x               | x | x          | x         |
| 36  | SW2STBY       | R/W   | 8'b0xxx_xxxx | –                  | SW2STBY[6:0] |                 |   |                 |   |            |           |
|     |               |       |              | 0                  | x            | x               | x | x               | x | x          | x         |
| 37  | SW2OFF        | R/W   | 8'b0xxx_xxxx | –                  | SW2OFF[6:0]  |                 |   |                 |   |            |           |
|     |               |       |              | 0                  | x            | x               | x | x               | x | x          | x         |

Table 136. Functional page (continued)

| Add | Register name | R/W | Default      | BITS[7:0]         |               |                |   |               |   |   |          |
|-----|---------------|-----|--------------|-------------------|---------------|----------------|---|---------------|---|---|----------|
|     |               |     |              | 7                 | 6             | 5              | 4 | 3             | 2 | 1 | 0        |
| 38  | SW2MODE       | R/W | 8'b0000_1000 | -                 | -             | SW2OMODE       | - | SW2MODE[3:0]  |   |   |          |
|     |               |     |              | 0                 | 0             | 0              | 0 | 1             | 0 | 0 | 0        |
| 39  | SW2CONF       | R/W | 8'bxx01_xx00 | SW2DVSSPEED[1:0]  |               | SW2PHASE[1:0]  |   | SW2FREQ[1:0]  |   | - | SW2ILIM  |
|     |               |     |              | x                 | x             | 0              | 1 | x             | x | 0 | 0        |
| 3C  | SW3AVOLT      | R/W | 8'b0xxx_xxxx | -                 | SW3A[6:0]     |                |   |               |   |   |          |
|     |               |     |              | 0                 | x             | x              | x | x             | x | x | x        |
| 3D  | SW3ASTBY      | R/W | 8'b0xxx_xxxx | -                 | SW3ASTBY[6:0] |                |   |               |   |   |          |
|     |               |     |              | 0                 | x             | x              | x | x             | x | x | x        |
| 3E  | SW3AOFF       | R/W | 8'b0xxx_xxxx | -                 | SW3AOFF[6:0]  |                |   |               |   |   |          |
|     |               |     |              | 0                 | x             | x              | x | x             | x | x | x        |
| 3F  | SW3AMODE      | R/W | 8'b0000_1000 | -                 | -             | SW3AOMODE      | - | SW3AMODE[3:0] |   |   |          |
|     |               |     |              | 0                 | 0             | 0              | 0 | 1             | 0 | 0 | 0        |
| 40  | SW3ACONF      | R/W | 8'bxx10_xx00 | SW3ADVSSPEED[1:0] |               | SW3APHASE[1:0] |   | SW3AFREQ[1:0] |   | - | SW3AILIM |
|     |               |     |              | x                 | x             | 1              | 0 | x             | x | 0 | 0        |
| 43  | SW3BVOLT      | R/W | 8'b0xxx_xxxx | -                 | SW3B[6:0]     |                |   |               |   |   |          |
|     |               |     |              | 0                 | x             | x              | x | x             | x | x | x        |
| 44  | SW3BSTBY      | R/W | 8'b0xxx_xxxx | -                 | SW3BSTBY[6:0] |                |   |               |   |   |          |
|     |               |     |              | 0                 | x             | x              | x | x             | x | x | x        |
| 45  | SW3BOFF       | R/W | 8'b0xxx_xxxx | -                 | SW3BOFF[6:0]  |                |   |               |   |   |          |
|     |               |     |              | 0                 | x             | x              | x | x             | x | x | x        |
| 46  | SW3BMODE      | R/W | 8'b0000_1000 | -                 | -             | SW3BOMODE      | - | SW3BMODE[3:0] |   |   |          |
|     |               |     |              | 0                 | 0             | 0              | 0 | 1             | 0 | 0 | 0        |
| 47  | SW3BCONF      | R/W | 8'bxx10_xx00 | SW3BDVSSPEED[1:0] |               | SW3BPHASE[1:0] |   | SW3BFREQ[1:0] |   | - | SW3BILIM |
|     |               |     |              | x                 | x             | 1              | 0 | x             | x | 0 | 0        |
| 4A  | SW4VOLT       | R/W | 8'b0xxx_xxxx | -                 | SW4[6:0]      |                |   |               |   |   |          |
|     |               |     |              | 0                 | x             | x              | x | x             | x | x | x        |
| 4B  | SW4STBY       | R/W | 8'b0xxx_xxxx | -                 | SW4STBY[6:0]  |                |   |               |   |   |          |
|     |               |     |              | 0                 | x             | x              | x | x             | x | x | x        |
| 4C  | SW4OFF        | R/W | 8'b0xxx_xxxx | -                 | SW4OFF[6:0]   |                |   |               |   |   |          |
|     |               |     |              | 0                 | x             | x              | x | x             | x | x | x        |
| 4D  | SW4MODE       | R/W | 8'b0000_1000 | -                 | -             | SW4OMODE       | - | SW4MODE[3:0]  |   |   |          |
|     |               |     |              | 0                 | 0             | 0              | 0 | 1             | 0 | 0 | 0        |
| 4E  | SW4CONF       | R/W | 8'bxx11_xx00 | SW4DVSSPEED[1:0]  |               | SW4PHASE[1:0]  |   | SW4FREQ[1:0]  |   | - | SW4ILIM  |
|     |               |     |              | x                 | x             | 1              | 1 | x             | x | 0 | 0        |

Table 136. Functional page (continued)

| Add | Register name | R/W | Default      | BITS[7:0] |                     |           |           |                 |                |                 |   |
|-----|---------------|-----|--------------|-----------|---------------------|-----------|-----------|-----------------|----------------|-----------------|---|
|     |               |     |              | 7         | 6                   | 5         | 4         | 3               | 2              | 1               | 0 |
| 66  | SWBSTCTL      | R/W | 8'b0xx0_10xx | –         | SWBST1STBYMODE[1:0] |           | –         | SWBST1MODE[1:0] |                | SWBST1VOLT[1:0] |   |
|     |               |     |              | 0         | x                   | x         | 0         | 1               | 0              | x               | x |
| 6A  | VREFDDRCTL    | R/W | 8'b000x_0000 | –         | –                   | –         | VREFDDREN | –               | –              | –               | – |
|     |               |     |              | 0         | 0                   | 0         | x         | 0               | 0              | 0               | 0 |
| 6B  | VSNVSVCTL     | R/W | 8'b0000_0xxx | –         | –                   | –         | –         | –               | VSNVSVOLT[2:0] |                 |   |
|     |               |     |              | 0         | 0                   | 0         | 0         | 0               | 0              | x               | x |
| 6C  | VGEN1CTL      | R/W | 8'b000x_xxxx | –         | VGEN1LPWR           | VGEN1STBY | VGEN1EN   | VGEN1[3:0]      |                |                 |   |
|     |               |     |              | 0         | 0                   | 0         | x         | x               | x              | x               | x |
| 6D  | VGEN2CTL      | R/W | 8'b000x_xxxx | –         | VGEN2LPWR           | VGEN2STBY | VGEN2EN   | VGEN2[3:0]      |                |                 |   |
|     |               |     |              | 0         | 0                   | 0         | x         | x               | x              | x               | x |
| 6E  | VGEN3CTL      | R/W | 8'b000x_xxxx | –         | VGEN3LPWR           | VGEN3STBY | VGEN3EN   | VGEN3[3:0]      |                |                 |   |
|     |               |     |              | 0         | 0                   | 0         | x         | x               | x              | x               | x |
| 6F  | VGEN4CTL      | R/W | 8'b000x_xxxx | –         | VGEN4LPWR           | VGEN4STBY | VGEN4EN   | VGEN4[3:0]      |                |                 |   |
|     |               |     |              | 0         | 0                   | 0         | x         | x               | x              | x               | x |
| 70  | VGEN5CTL      | R/W | 8'b000x_xxxx | –         | VGEN5LPWR           | VGEN5STBY | VGEN5EN   | VGEN5[3:0]      |                |                 |   |
|     |               |     |              | 0         | 0                   | 0         | x         | x               | x              | x               | x |
| 71  | VGEN6CTL      | R/W | 8'b000x_xxxx | –         | VGEN6LPWR           | VGEN6STBY | VGEN6EN   | VGEN6[3:0]      |                |                 |   |
|     |               |     |              | 0         | 0                   | 0         | x         | x               | x              | x               | x |
| 7F  | Page Register | R/W | 8'b0000_0000 | –         | –                   | –         | PAGE[4:0] |                 |                |                 |   |
|     |               |     |              | 0         | 0                   | 0         | 0         | 0               | 0              | 0               | 0 |

Table 137. Extended page 1

| Address | Register name    | TYPE | Default      | BITS[7:0] |           |              |           |         |            |             |              |                  |
|---------|------------------|------|--------------|-----------|-----------|--------------|-----------|---------|------------|-------------|--------------|------------------|
|         |                  |      |              | 7         | 6         | 5            | 4         | 3       | 2          | 1           | 0            |                  |
| 80      | OTP FUSE READ EN | R/W  | 8'b000x_xxx0 | –         | –         | –            | –         | –       | –          | –           | –            | OTP FUSE READ EN |
|         |                  |      |              | 0         | 0         | 0            | x         | x       | x          | x           | 0            |                  |
| 84      | OTP LOAD MASK    | R/W  | 8'b0000_0000 | START     | RL PWBRTN | FORCE PWRCTL | RL PWRCTL | RL OTP  | RL OTP ECC | RL OTP FUSE | RL TRIM FUSE |                  |
|         |                  |      |              | 0         | 0         | 0            | 0         | 0       | 0          | 0           | 0            |                  |
| 8A      | OTP ECC SE1      | R    | 8'bxxx0_0000 | –         | –         | –            | ECC5_SE   | ECC4_SE | ECC3_SE    | ECC2_SE     | ECC1_SE      |                  |
|         |                  |      |              | x         | x         | x            | 0         | 0       | 0          | 0           | 0            |                  |
| 8B      | OTP ECC SE2      | R    | 8'bxxx0_0000 | –         | –         | –            | ECC10_SE  | ECC9_SE | ECC8_SE    | ECC7_SE     | ECC6_SE      |                  |
|         |                  |      |              | x         | x         | x            | 0         | 0       | 0          | 0           | 0            |                  |
| 8C      | OTP ECC DE1      | R    | 8'bxxx0_0000 | –         | –         | –            | ECC5_DE   | ECC4_DE | ECC3_DE    | ECC2_DE     | ECC1_DE      |                  |
|         |                  |      |              | x         | x         | x            | 0         | 0       | 0          | 0           | 0            |                  |

Table 137. Extended page 1 (continued)

| Address | Register name    | TYPE | Default      | BITS[7:0] |                |                 |          |                 |         |                  |         |
|---------|------------------|------|--------------|-----------|----------------|-----------------|----------|-----------------|---------|------------------|---------|
|         |                  |      |              | 7         | 6              | 5               | 4        | 3               | 2       | 1                | 0       |
| 8D      | OTP ECC DE2      | R    | 8'bx00_0000  | -         | -              | -               | ECC10_DE | ECC9_DE         | ECC8_DE | ECC7_DE          | ECC6_DE |
|         |                  |      |              | x         | x              | x               | 0        | 0               | 0       | 0                | 0       |
| A0      | OTP SW1AB VOLT   | R/W  | 8'b00xx_xxxx | -         | -              | SW1AB_VOLT[5:0] |          |                 |         |                  |         |
|         |                  |      |              | 0         | 0              | x               | x        | x               | x       | x                | x       |
| A1      | OTP SW1AB SEQ    | R/W  | 8'b000x_xxXx | -         | SW1AB_SEQ[4:0] |                 |          |                 |         |                  |         |
|         |                  |      |              | 0         | 0              | 0               | x        | x               | x       | X                | x       |
| A2      | OTP SW1AB CONFIG | R/W  | 8'b0000_xxxx | -         | -              | -               | -        | SW1_CONFIG[1:0] |         | SW1AB_FREQ[1:0]  |         |
|         |                  |      |              | 0         | 0              | 0               | 0        | x               | x       | x                | x       |
| A8      | OTP SW1C VOLT    | R/W  | 8'b00xx_xxxx | -         | -              | SW1C_VOLT[5:0]  |          |                 |         |                  |         |
|         |                  |      |              | 0         | 0              | x               | x        | x               | x       | x                | x       |
| A9      | OTP SW1C SEQ     | R/W  | 8'b000x_xxxx | -         | SW1C_SEQ[4:0]  |                 |          |                 |         |                  |         |
|         |                  |      |              | 0         | 0              | 0               | x        | x               | x       | x                | x       |
| AA      | OTP SW1C CONFIG  | R/W  | 8'b0000_00xx | -         | -              | -               | -        | -               | -       | SW1C_FREQ[1:0]   |         |
|         |                  |      |              | 0         | 0              | 0               | 0        | 0               | 0       | x                | x       |
| AC      | OTP SW2 VOLT     | R/W  | 8'b0xxx_xxxx | -         | SW2_VOLT[5:0]  |                 |          |                 |         |                  |         |
|         |                  |      |              | 0         | x              | x               | x        | x               | x       | x                | x       |
| AD      | OTP SW2 SEQ      | R/W  | 8'b000x_xxxx | -         | -              | SW2_SEQ[4:0]    |          |                 |         |                  |         |
|         |                  |      |              | 0         | 0              | 0               | x        | x               | x       | x                | x       |
| AE      | OTP SW2 CONFIG   | R/W  | 8'b0000_00xx | -         | -              | -               | -        | -               | -       | SW2_FREQ[1:0]    |         |
|         |                  |      |              | 0         | 0              | 0               | 0        | 0               | 0       | x                | x       |
| B0      | OTP SW3A VOLT    | R/W  | 8'b0xxx_xxxx | -         | SW3A_VOLT[6:0] |                 |          |                 |         |                  |         |
|         |                  |      |              | 0         | x              | x               | x        | x               | x       | x                | x       |
| B1      | OTP SW3A SEQ     | R/W  | 8'b000x_xxxx | -         | -              | SW3A_SEQ[4:0]   |          |                 |         |                  |         |
|         |                  |      |              | 0         | 0              | 0               | x        | x               | x       | x                | x       |
| B2      | OTP SW3A CONFIG  | R/W  | 8'b0000_xxxx | -         | -              | -               | -        | SW3_CONFIG[1:0] |         | SW3A_FREQ[1:0]   |         |
|         |                  |      |              | 0         | 0              | 0               | 0        | x               | x       | x                | x       |
| B4      | OTP SW3B VOLT    | R/W  | 8'b0xxx_xxxx | -         | SW3B_VOLT[6:0] |                 |          |                 |         |                  |         |
|         |                  |      |              | 0         | x              | x               | x        | x               | x       | x                | x       |
| B5      | OTP SW3B SEQ     | R/W  | 8'b000x_xxxx | -         | -              | SW3B_SEQ[4:0]   |          |                 |         |                  |         |
|         |                  |      |              | 0         | 0              | 0               | x        | x               | x       | x                | x       |
| B6      | OTP SW3B CONFIG  | R/W  | 8'b0000_00xx | -         | -              | -               | -        | -               | -       | SW3B_CONFIG[1:0] |         |
|         |                  |      |              | 0         | 0              | 0               | 0        | 0               | 0       | x                | x       |

Table 137. Extended page 1 (continued)

| Address | Register name   | TYPE | Default      | BITS[7:0] |               |   |                  |                 |                 |                 |   |
|---------|-----------------|------|--------------|-----------|---------------|---|------------------|-----------------|-----------------|-----------------|---|
|         |                 |      |              | 7         | 6             | 5 | 4                | 3               | 2               | 1               | 0 |
| B8      | OTP SW4 VOLT    | R/W  | 8'b00xx_xxxx | –         | SW4_VOLT[6:0] |   |                  |                 |                 |                 |   |
|         |                 |      |              | 0         | 0             | x | x                | x               | x               | x               | x |
| B9      | OTP SW4 SEQ     | R/W  | 8'b000x_xxxx | –         | –             | – | SW4_SEQ[4:0]     |                 |                 |                 |   |
|         |                 |      |              | 0         | 0             | 0 | x                | x               | x               | x               | x |
| BA      | OTP SW4 CONFIG  | R/W  | 8'b000x_xxxx | –         | –             | – | VTT              | –               | –               | SW4_FREQ[1:0]   |   |
|         |                 |      |              | 0         | 0             | 0 | x                | x               | x               | x               | x |
| BC      | OTP SWBST VOLT  | R/W  | 8'b0000_00xx | –         | –             | – | –                | –               | –               | SWBST_VOLT[1:0] |   |
|         |                 |      |              | 0         | 0             | 0 | 0                | 0               | 0               | x               | x |
| BD      | OTP SWBST SEQ   | R/W  | 8'b0000_xxxx | –         | –             | – | SWBST_SEQ[4:0]   |                 |                 |                 |   |
|         |                 |      |              | 0         | 0             | 0 | 0                | x               | x               | x               | x |
| C0      | OTP VSNVS VOLT  | R/W  | 8'b0000_0xxx | –         | –             | – | –                | –               | VSNVS_VOLT[2:0] |                 |   |
|         |                 |      |              | 0         | 0             | 0 | 0                | 0               | 0               | x               | x |
| C4      | OTP VREFDDR SEQ | R/W  | 8'b000x_x0xx | –         | –             | – | VREFDDR_SEQ[4:0] |                 |                 |                 |   |
|         |                 |      |              | 0         | 0             | 0 | x                | x               | 0               | x               | x |
| C8      | OTP VGEN1 VOLT  | R/W  | 8'b0000_xxxx | –         | –             | – | –                | VGEN1_VOLT[3:0] |                 |                 |   |
|         |                 |      |              | 0         | 0             | 0 | 0                | x               | x               | x               | x |
| C9      | OTP VGEN1 SEQ   | R/W  | 8'b000x_xxxx | –         | –             | – | VGEN1_SEQ[4:0]   |                 |                 |                 |   |
|         |                 |      |              | 0         | 0             | 0 | x                | x               | x               | x               | x |
| CC      | OTP VGEN2 VOLT  | R/W  | 8'b0000_xxxx | –         | –             | – | –                | VGEN2_VOLT[3:0] |                 |                 |   |
|         |                 |      |              | 0         | 0             | 0 | 0                | x               | x               | x               | x |
| CD      | OTP VGEN2 SEQ   | R/W  | 8'b000x_xxxx | –         | –             | – | VGEN2_SEQ[4:0]   |                 |                 |                 |   |
|         |                 |      |              | 0         | 0             | 0 | x                | x               | x               | x               | x |
| D0      | OTP VGEN3 VOLT  | R/W  | 8'b0000_xxxx | –         | –             | – | –                | VGEN3_VOLT[3:0] |                 |                 |   |
|         |                 |      |              | 0         | 0             | 0 | 0                | x               | x               | x               | x |
| D1      | OTP VGEN3 SEQ   | R/W  | 8'b000x_xxxx | –         | –             | – | VGEN3_SEQ[4:0]   |                 |                 |                 |   |
|         |                 |      |              | 0         | 0             | 0 | x                | x               | x               | x               | x |
| D4      | OTP VGEN4 VOLT  | R/W  | 8'b0000_xxxx | –         | –             | – | –                | VGEN4_VOLT[3:0] |                 |                 |   |
|         |                 |      |              | 0         | 0             | 0 | 0                | x               | x               | x               | x |
| D5      | OTP VGEN4 SEQ   | R/W  | 8'b000x_xxxx | –         | –             | – | VGEN4_SEQ[4:0]   |                 |                 |                 |   |
|         |                 |      |              | 0         | 0             | 0 | x                | x               | x               | x               | x |

Table 137. Extended page 1 (continued)

| Address | Register name     | TYPE  | Default      | BITS[7:0] |               |   |                |                 |              |                     |              |  |  |  |
|---------|-------------------|-------|--------------|-----------|---------------|---|----------------|-----------------|--------------|---------------------|--------------|--|--|--|
|         |                   |       |              | 7         | 6             | 5 | 4              | 3               | 2            | 1                   | 0            |  |  |  |
| D8      | OTP VGEN5 VOLT    | R/W   | 8'b0000_xxxx | -         | -             | - | -              | VGEN5_VOLT[3:0] |              |                     |              |  |  |  |
|         |                   |       |              | 0         | 0             | 0 | 0              | x               | x            | x                   | x            |  |  |  |
| D9      | OTP VGEN5 SEQ     | R/W   | 8'b000x_xxxx | -         | -             | - | VGEN5_SEQ[4:0] |                 |              |                     |              |  |  |  |
|         |                   |       |              | 0         | 0             | 0 | x              | x               | x            | x                   | x            |  |  |  |
| DC      | OTP VGEN6 VOLT    | R/W   | 8'b0000_xxxx | -         | -             | - | -              | VGEN6_VOLT[3:0] |              |                     |              |  |  |  |
|         |                   |       |              | 0         | 0             | 0 | 0              | x               | x            | x                   | x            |  |  |  |
| DD      | OTP VGEN6 SEQ     | R/W   | 8'b000x_xxxx | -         | -             | - | VGEN6_SEQ[4:0] |                 |              |                     |              |  |  |  |
|         |                   |       |              | 0         | 0             | 0 | x              | x               | x            | x                   | x            |  |  |  |
| E0      | OTP PU CONFIG1    | R/W   | 8'b000x_xxxx | -         | -             | - | PWRON_CFG1     | SWDVS_CLK1[1:0] |              | SEQ_CLK_SPEED1[1:0] |              |  |  |  |
|         |                   |       |              | 0         | 0             | 0 | x              | x               | x            | x                   | x            |  |  |  |
| E1      | OTP PU CONFIG2    | R/W   | 8'b000x_xxxx | -         | -             | - | PWRON_CFG2     | SWDVS_CLK2[1:0] |              | SEQ_CLK_SPEED2[1:0] |              |  |  |  |
|         |                   |       |              | 0         | 0             | 0 | x              | x               | x            | x                   | x            |  |  |  |
| E2      | OTP PU CONFIG3    | R/W   | 8'b000x_xxxx | -         | -             | - | PWRON_CFG3     | SWDVS_CLK3[1:0] |              | SEQ_CLK_SPEED3[1:0] |              |  |  |  |
|         |                   |       |              | 0         | 0             | 0 | x              | x               | x            | x                   | x            |  |  |  |
| E3      | OTP PU CONFIG XOR | R     | 8'b000x_xxxx | -         | -             | - | PWRON_CFG_XOR  | SWDVS_CLK3_XOR  |              | SEQ_CLK_SPEED_XOR   |              |  |  |  |
|         |                   |       |              | 0         | 0             | 0 | x              | x               | x            | x                   | x            |  |  |  |
| E4 (83) | OTP FUSE POR1     | R/W   | 8'b0000_00x0 | TBB_POR   | SOFT_FUSE_POR | - | -              | -               | -            | FUSE_POR1           | -            |  |  |  |
|         |                   |       |              | 0         | 0             | 0 | 0              | 0               | 0            | x                   | 0            |  |  |  |
| E5      | OTP FUSE POR1     | R/W   | 8'b0000_00x0 | RSVD      | RSVD          | - | -              | -               | -            | FUSE_POR2           | -            |  |  |  |
|         |                   |       |              | 0         | 0             | 0 | 0              | 0               | 0            | x                   | 0            |  |  |  |
| E6      | OTP FUSE POR1     | R/W   | 8'b0000_00x0 | RSVD      | RSVD          | - | -              | -               | -            | FUSE_POR3           | -            |  |  |  |
|         |                   |       |              | 0         | 0             | 0 | 0              | 0               | 0            | x                   | 0            |  |  |  |
| E7      | OTP FUSE POR XOR  | R     | 8'b0000_00x0 | RSVD      | RSVD          | - | -              | -               | -            | FUSE_POR_XOR        | -            |  |  |  |
|         |                   |       |              | 0         | 0             | 0 | 0              | 0               | 0            | x                   | 0            |  |  |  |
| E8      | OTP PWRGD EN      | R/W/M | 8'b0000_000x | -         | -             | - | -              | -               | -            | -                   | OTP_PG_EN    |  |  |  |
|         |                   |       |              | 0         | 0             | 0 | 0              | 0               | 0            | x                   | 0            |  |  |  |
| F0      | OTP EN ECC0       | R/W   | 8'b000x_xxxx | -         | -             | - | EN_ECC_BANK5   | EN_ECC_BANK4    | EN_ECC_BANK3 | EN_ECC_BANK2        | EN_ECC_BANK1 |  |  |  |
|         |                   |       |              | 0         | 0             | 0 | x              | x               | x            | x                   | x            |  |  |  |
| F1      | OTP EN ECC1       | R/W   | 8'b000x_xxxx | -         | -             | - | EN_ECC_BANK10  | EN_ECC_BANK9    | EN_ECC_BANK8 | EN_ECC_BANK7        | EN_ECC_BANK6 |  |  |  |
|         |                   |       |              | 0         | 0             | 0 | x              | x               | x            | x                   | x            |  |  |  |
| F4      | OTP SPARE2_4      | R/W   | 8'b0000_xxxx | -         | -             | - | -              | RSVD            |              |                     |              |  |  |  |
|         |                   |       |              | 0         | 0             | 0 | 0              | x               | x            | x                   | x            |  |  |  |

Table 137. Extended page 1 (continued)

| Address | Register name | TYPE | Default      | BITS[7:0] |   |   |   |                 |                   |   |          |
|---------|---------------|------|--------------|-----------|---|---|---|-----------------|-------------------|---|----------|
|         |               |      |              | 7         | 6 | 5 | 4 | 3               | 2                 | 1 | 0        |
| F5      | OTP SPARE4_3  | R/W  | 8'b0000_0xxx | -         | - | - | - | -               | RSVD              |   |          |
|         |               |      |              | 0         | 0 | 0 | 0 | 0               | x                 | x | x        |
| F6      | OTP SPARE6_2  | R/W  | 8'b0000_00xx | -         | - | - | - | -               | RSVD              |   |          |
|         |               |      |              | 0         | 0 | 0 | 0 | 0               | 0                 | x | x        |
| F7      | OTP SPARE7_1  | R/W  | 8'b0000_0xxx | -         | - | - | - | -               | RSVD              |   |          |
|         |               |      |              | 0         | 0 | 0 | 0 | 0               | x                 | x | x        |
| FE      | OTP DONE      | R/W  | 8'b0000_000x | -         | - | - | - | -               | -                 | - | OTP_DONE |
|         |               |      |              | 0         | 0 | 0 | 0 | 0               | 0                 | 0 | x        |
| FF      | OTP I2C ADDR  | R/W  | 8'b0000_0xxx | -         | - | - | - | I2C_SLV_ADDR[3] | I2C_SLV_ADDR[2:0] |   |          |
|         |               |      |              | 0         | 0 | 0 | 0 | 1               | x                 | x | x        |

Notes

83. In the MMPF0100 FUSE\_POR1, FUSE\_POR2, and FUSE\_POR3 are XOR'ed into the FUSE\_POR\_XOR bit. The FUSE\_POR\_XOR has to be 1 for fuses to be loaded. This can be achieved by setting any one or all of the FUSE\_PORx bits. In MMPF0100A, the XOR function is removed. It is required to set all of the FUSE\_PORx bits to be able to load the fuses.

Table 138. Extended Page 2

| Address | Register name          | TYPE | Default      | BITS[7:0]                   |                     |      |      |      |                   |          |              |
|---------|------------------------|------|--------------|-----------------------------|---------------------|------|------|------|-------------------|----------|--------------|
|         |                        |      |              | 7                           | 6                   | 5    | 4    | 3    | 2                 | 1        | 0            |
| 81      | SW1AB_PWRSTG           | R/W  | 8'b1111_1111 | RSVD                        | RSVD                | RSVD | RSVD | RSVD | SW1AB_PWRSTG[2:0] |          |              |
|         |                        |      |              | 1                           | 1                   | 1    | 1    | 1    | 1                 | 1        | 1            |
| 82      | PWRSTG_RSVD            | R    | 8'b0000_0000 | PWRSTGRSVD                  |                     |      |      |      |                   |          |              |
|         |                        |      |              | 0                           | 0                   | 0    | 0    | 0    | 0                 | 0        | 0            |
| 83      | SW1C_PWRSTG            | R    | 8'b1111_1111 | RSVD                        | RSVD                | RSVD | RSVD | RSVD | SW1C_PWRSTG[2:0]  |          |              |
|         |                        |      |              | 1                           | 1                   | 1    | 1    | 1    | 1                 | 1        | 1            |
| 84      | SW2_PWRSTG             | R    | 8'b1111_1111 | RSVD                        | RSVD                | RSVD | RSVD | RSVD | SW2_PWRSTG[2:0]   |          |              |
|         |                        |      |              | 1                           | 1                   | 1    | 1    | 1    | 1                 | 1        | 1            |
| 85      | SW3A_PWRSTG            | R    | 8'b1111_1111 | RSVD                        | RSVD                | RSVD | RSVD | RSVD | SW3A_PWRSTG[2:0]  |          |              |
|         |                        |      |              | 1                           | 1                   | 1    | 1    | 1    | 1                 | 1        | 1            |
| 86      | SW3B_PWRSTG            | R    | 8'b1111_1111 | RSVD                        | RSVD                | RSVD | RSVD | RSVD | SW3B_PWRSTG[2:0]  |          |              |
|         |                        |      |              | 1                           | 1                   | 1    | 1    | 1    | 1                 | 1        | 1            |
| 87      | SW4_PWRSTG             | R    | 8'b0111_1111 | FSLEX_THERM_DISABLE         | PWRGD_SHDWN_DISABLE | RSVD | RSVD | RSVD | SW4_PWRSTG[2:0]   |          |              |
|         |                        |      |              | 0                           | 0                   | 1    | 1    | 1    | 1                 | 1        | 1            |
| 88      | PWRCTRL_OTP_CTRL       | R/W  | 8'b0000_0001 | -                           | -                   | -    | -    | -    | -                 | PWRGD_EN | OTP_SHDWN_EN |
|         |                        |      |              | 0                           | 0                   | 0    | 0    | 0    | 0                 | 0        | 1            |
| 8D      | I2C_WRITE_ADDRESS_TRAP | R/W  | 8'b0000_0000 | I2C_WRITE_ADDRESS_TRAP[7:0] |                     |      |      |      |                   |          |              |
|         |                        |      |              | 0                           | 0                   | 0    | 0    | 0    | 0                 | 0        | 0            |

Table 138. Extended Page 2 (continued)

| Address | Register name | TYPE | Default      | BITS[7:0]                      |               |                   |                    |                |                |                    |                |
|---------|---------------|------|--------------|--------------------------------|---------------|-------------------|--------------------|----------------|----------------|--------------------|----------------|
|         |               |      |              | 7                              | 6             | 5                 | 4                  | 3              | 2              | 1                  | 0              |
| 8E      | I2C TRAP PAGE | R/W  | 8'b0000_0000 | LET_IT_ROLL                    | RSVD          | RSVD              | I2C_TRAP_PAGE[4:0] |                |                |                    |                |
|         |               |      |              | 0                              | 0             | 0                 | 0                  | 0              | 0              | 0                  | 0              |
| 8F      | I2C TRAP CNTR | R/W  | 8'b0000_0000 | I2C_WRITE_ADDRESS_COUNTER[7:0] |               |                   |                    |                |                |                    |                |
|         |               |      |              | 0                              | 0             | 0                 | 0                  | 0              | 0              | 0                  | 0              |
| 90      | IO DRV        | R/W  | 8'b00xx_xxxx | SDA_DRV[1:0]                   |               | SDWNB_DRV[1:0]    |                    | INTB_DRV[1:0]  |                | RESETBMCU_DRV[1:0] |                |
|         |               |      |              | 0                              | 0             | x                 | x                  | x              | x              | x                  | x              |
| DO      | OTP AUTO ECC0 | R/W  | 8'b0000_0000 | -                              | -             | -                 | AUTO_ECC_BANK5     | AUTO_ECC_BANK4 | AUTO_ECC_BANK3 | AUTO_ECC_BANK2     | AUTO_ECC_BANK1 |
|         |               |      |              | 0                              | 0             | 0                 | 0                  | 0              | 0              | 0                  | 0              |
| D1      | OTP AUTO ECC1 | R/W  | 8'b0000_0000 | -                              | -             | -                 | AUTO_ECC_BANK10    | AUTO_ECC_BANK9 | AUTO_ECC_BANK8 | AUTO_ECC_BANK7     | AUTO_ECC_BANK6 |
|         |               |      |              | 0                              | 0             | 0                 | 0                  | 0              | 0              | 0                  | 0              |
| D8 (84) | Reserved      | -    | 8'b0000_0000 | RSVD                           |               |                   |                    |                |                |                    |                |
|         |               |      |              | 0                              | 0             | 0                 | 0                  | 0              | 0              | 0                  | 0              |
| D9 (84) | Reserved      | -    | 8'b0000_0000 | RSVD                           |               |                   |                    |                |                |                    |                |
|         |               |      |              | 0                              | 0             | 0                 | 0                  | 0              | 0              | 0                  | 0              |
| E1      | OTP ECC CTRL1 | R/W  | 8'b0000_0000 | ECC1_EN_TBB                    | ECC1_CALC_CIN | ECC1_CIN_TBB[5:0] |                    |                |                |                    |                |
|         |               |      |              | 0                              | 0             | 0                 | 0                  | 0              | 0              | 0                  | 0              |
| E2      | OTP ECC CTRL2 | R/W  | 8'b0000_0000 | ECC2_EN_TBB                    | ECC2_CALC_CIN | ECC2_CIN_TBB[5:0] |                    |                |                |                    |                |
|         |               |      |              | 0                              | 0             | 0                 | 0                  | 0              | 0              | 0                  | 0              |
| E3      | OTP ECC CTRL3 | R/W  | 8'b0000_0000 | ECC3_EN_TBB                    | ECC3_CALC_CIN | ECC3_CIN_TBB[5:0] |                    |                |                |                    |                |
|         |               |      |              | 0                              | 0             | 0                 | 0                  | 0              | 0              | 0                  | 0              |
| E4      | OTP ECC CTRL4 | R/W  | 8'b0000_0000 | ECC4_EN_TBB                    | ECC4_CALC_CIN | ECC4_CIN_TBB[5:0] |                    |                |                |                    |                |
|         |               |      |              | 0                              | 0             | 0                 | 0                  | 0              | 0              | 0                  | 0              |
| E5      | OTP ECC CTRL5 | R/W  | 8'b0000_0000 | ECC5_EN_TBB                    | ECC5_CALC_CIN | ECC5_CIN_TBB[5:0] |                    |                |                |                    |                |
|         |               |      |              | 0                              | 0             | 0                 | 0                  | 0              | 0              | 0                  | 0              |
| E6      | OTP ECC CTRL6 | R/W  | 8'b0000_0000 | ECC6_EN_TBB                    | ECC6_CALC_CIN | ECC6_CIN_TBB[5:0] |                    |                |                |                    |                |
|         |               |      |              | 0                              | 0             | 0                 | 0                  | 0              | 0              | 0                  | 0              |
| E7      | OTP ECC CTRL7 | R/W  | 8'b0000_0000 | ECC7_EN_TBB                    | ECC7_CALC_CIN | ECC7_CIN_TBB[5:0] |                    |                |                |                    |                |
|         |               |      |              | 0                              | 0             | 0                 | 0                  | 0              | 0              | 0                  | 0              |
| E8      | OTP ECC CTRL8 | R/W  | 8'b0000_0000 | ECC8_EN_TBB                    | ECC8_CALC_CIN | ECC8_CIN_TBB[5:0] |                    |                |                |                    |                |
|         |               |      |              | 0                              | 0             | 0                 | 0                  | 0              | 0              | 0                  | 0              |

Table 138. Extended Page 2 (continued)

| Address | Register name   | TYPE | Default      | BITS[7:0]    |                |                    |   |               |                 |               |          |
|---------|-----------------|------|--------------|--------------|----------------|--------------------|---|---------------|-----------------|---------------|----------|
|         |                 |      |              | 7            | 6              | 5                  | 4 | 3             | 2               | 1             | 0        |
| E9      | OTP ECC CTRL9   | R/W  | 8'b0000_0000 | ECC9_EN_TBB  | ECC9_CALC_CIN  | ECC9_CIN_TBB[5:0]  |   |               |                 |               |          |
|         |                 |      |              | 0            | 0              | 0                  | 0 | 0             | 0               | 0             | 0        |
| EA      | OTP ECC CTRL10  | R/W  | 8'b0000_0000 | ECC10_EN_TBB | ECC10_CALC_CIN | ECC10_CIN_TBB[5:0] |   |               |                 |               |          |
|         |                 |      |              | 0            | 0              | 0                  | 0 | 0             | 0               | 0             | 0        |
| F1      | OTP FUSE CTRL1  | R/W  | 8'b0000_0000 | -            | -              | -                  | - | ANTIFUSE1_EN  | ANTIFUSE1_LOAD  | ANTIFUSE1_RW  | BYPASS1  |
|         |                 |      |              | 0            | 0              | 0                  | 0 | 0             | 0               | 0             | 0        |
| F2      | OTP FUSE CTRL2  | R/W  | 8'b0000_0000 | -            | -              | -                  | - | ANTIFUSE2_EN  | ANTIFUSE2_LOAD  | ANTIFUSE2_RW  | BYPASS2  |
|         |                 |      |              | 0            | 0              | 0                  | 0 | 0             | 0               | 0             | 0        |
| F3      | OTP FUSE CTRL3  | R/W  | 8'b0000_0000 | -            | -              | -                  | - | ANTIFUSE3_EN  | ANTIFUSE3_LOAD  | ANTIFUSE3_RW  | BYPASS3  |
|         |                 |      |              | 0            | 0              | 0                  | 0 | 0             | 0               | 0             | 0        |
| F4      | OTP FUSE CTRL4  | R/W  | 8'b0000_0000 | -            | -              | -                  | - | ANTIFUSE4_EN  | ANTIFUSE4_LOAD  | ANTIFUSE4_RW  | BYPASS4  |
|         |                 |      |              | 0            | 0              | 0                  | 0 | 0             | 0               | 0             | 0        |
| F5      | OTP FUSE CTRL5  | R/W  | 8'b0000_0000 | -            | -              | -                  | - | ANTIFUSE5_EN  | ANTIFUSE5_LOAD  | ANTIFUSE5_RW  | BYPASS5  |
|         |                 |      |              | 0            | 0              | 0                  | 0 | 0             | 0               | 0             | 0        |
| F6      | OTP FUSE CTRL6  | R/W  | 8'b0000_0000 | -            | -              | -                  | - | ANTIFUSE6_EN  | ANTIFUSE6_LOAD  | ANTIFUSE6_RW  | BYPASS6  |
|         |                 |      |              | 0            | 0              | 0                  | 0 | 0             | 0               | 0             | 0        |
| F7      | OTP FUSE CTRL7  | R/W  | 8'b0000_0000 | -            | -              | -                  | - | ANTIFUSE7_EN  | ANTIFUSE7_LOAD  | ANTIFUSE7_RW  | BYPASS7  |
|         |                 |      |              | 0            | 0              | 0                  | 0 | 0             | 0               | 0             | 0        |
| F8      | OTP FUSE CTRL8  | R/W  | 8'b0000_0000 | -            | -              | -                  | - | ANTIFUSE8_EN  | ANTIFUSE8_LOAD  | ANTIFUSE8_RW  | BYPASS8  |
|         |                 |      |              | 0            | 0              | 0                  | 0 | 0             | 0               | 0             | 0        |
| F9      | OTP FUSE CTRL9  | R/W  | 8'b0000_0000 | -            | -              | -                  | - | ANTIFUSE9_EN  | ANTIFUSE9_LOAD  | ANTIFUSE9_RW  | BYPASS9  |
|         |                 |      |              | 0            | 0              | 0                  | 0 | 0             | 0               | 0             | 0        |
| FA      | OTP FUSE CTRL10 | R/W  | 8'b0000_0000 | -            | -              | -                  | - | ANTIFUSE10_EN | ANTIFUSE10_LOAD | ANTIFUSE10_RW | BYPASS10 |
|         |                 |      |              | 0            | 0              | 0                  | 0 | 0             | 0               | 0             | 0        |

## Notes

84. Do not write in reserved registers.

# 7 Typical applications

## 7.1 Introduction

Figure 35 provides a typical application diagram of the PF0100 PMIC together with its functional components. For details on component references and additional components such as filters, refer to the individual sections.

### 7.1.1 Application diagram

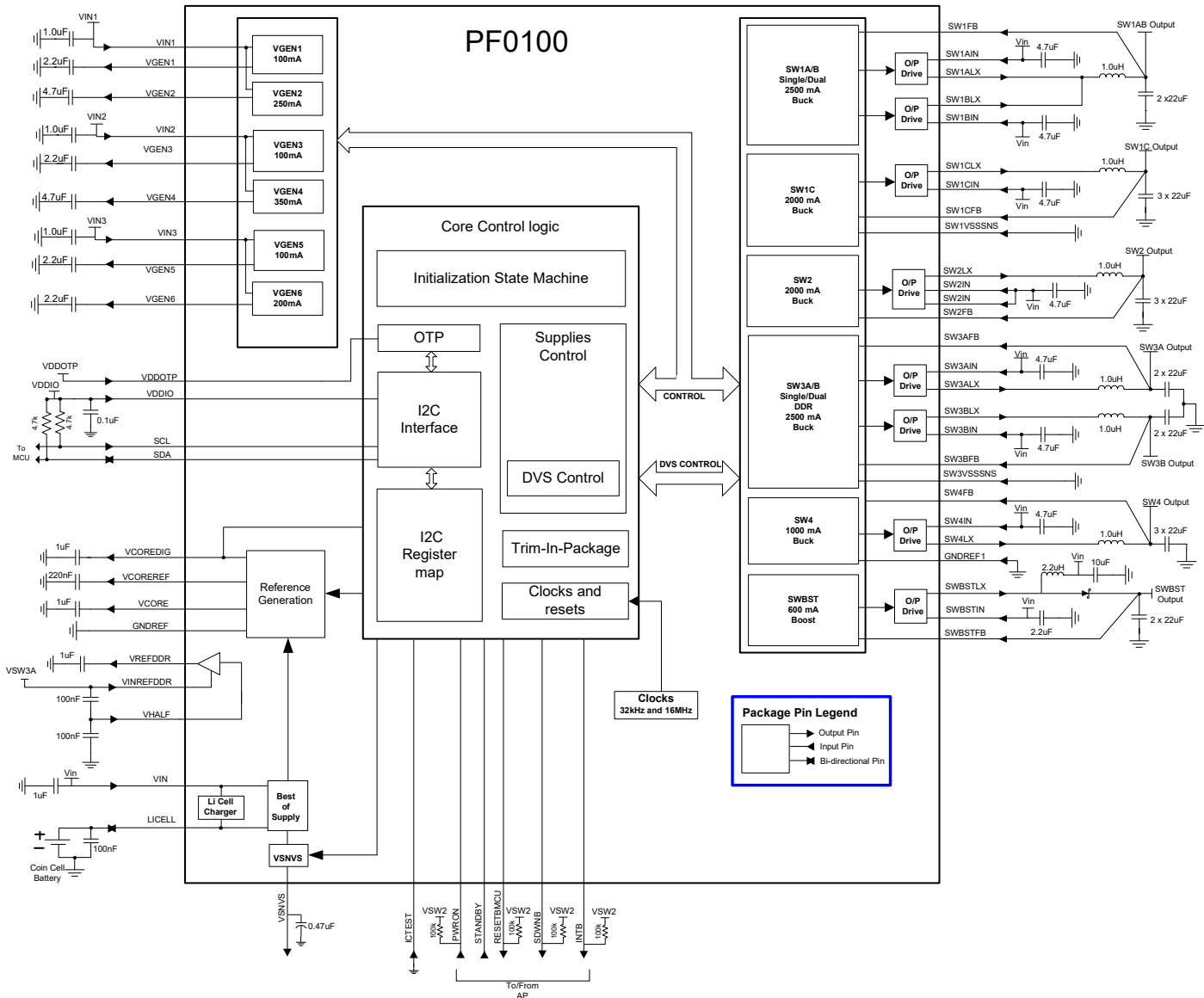


Figure 35. Typical application schematic

## 7.1.2 Bill of materials

The following table provides a complete list of the recommended components on a full featured system using the PF0100 Device for -40 °C to 85 °C applications. Components are provided with an example part number; equivalent components may be used.

**Table 139. Bill of materials -40 °C to 85 °C applications (85)**

| Value                                       | Qty | Description   | Part#             | Manufacturer | Component/pin      |
|---|-----|---|-------------------|--------------|--------------------|
| <b>PMIC</b>                                 |     |   |                   |              |                    |
|   | 1   | Power management IC   | MMPF0100          | NXP          |                    |
| <b>Buck, SW1AB - (0.300-1.875 V), 2.5 A</b> |     |   |                   |              |                    |
| 1.0 $\mu$ H                                 | 1   | 2.5 x 2 x 1.2<br>$I_{SAT} = 3.4$ A for 10% drop,<br>$DCR_{MAX} = 49$ m $\Omega$ | DFE252012R-H-1R0M | TOKO INC.    | Output inductor    |
| 22 $\mu$ H                                  | 4   | 10 V X5R 0603   | GRM188R61A226ME15 | Murata       | Output capacitance |
| 4.7 $\mu$ F                                 | 2   | 10 V X5R 0402   | GRM155R61A475MEAA | Murata       | Input capacitance  |
| 0.1 $\mu$ F                                 | 1   | 10 V X5R 0201   | GRM033R61A104ME84 | Murata       | Input capacitance  |
| <b>Buck, SW1C - (0.300-1.875 V), 2.0 A</b>  |     |   |                   |              |                    |
| 1.0 $\mu$ H                                 | 1   | 2.5 x 2 x 1.2<br>$I_{SAT} = 3.0$ A for 10% drop,<br>$DCR_{MAX} = 59$ m $\Omega$ | DFE252012C-1R0M   | TOKO INC.    | Output inductor    |
| 22 $\mu$ F                                  | 3   | 10 V X5R 0603   | GRM188R61A226ME15 | Murata       | Output capacitance |
| 4.7 $\mu$ F                                 | 1   | 10 V X5R 0402   | GRM155R61A475MEAA | Murata       | Input capacitance  |
| 0.1 $\mu$ F                                 | 1   | 10 V X5R 0201   | GRM033R61A104ME84 | Murata       | Input capacitance  |
| <b>Buck, SW2 - (0.400-3.300 V), 2.0 A</b>   |     |   |                   |              |                    |
| 1.0 $\mu$ H                                 | 1   | 2.5 x 2 x 1.2<br>$I_{SAT} = 3.0$ A for 10% drop,<br>$DCR_{MAX} = 59$ m $\Omega$ | DFE252012C-1R0M   | TOKO INC.    | Output inductor    |
| 22 $\mu$ F                                  | 3   | 10 V X5R 0603   | GRM188R61A226ME15 | Murata       | Output capacitance |
| 4.7 $\mu$ F                                 | 1   | 10 V X5R 0402   | GRM155R61A475MEAA | Murata       | Input capacitance  |
| 0.1 $\mu$ F                                 | 1   | 10 V X5R 0201   | GRM033R61A104ME84 | Murata       | Input capacitance  |
| <b>Buck, SW3AB - (0.400-3.300 V), 2.5 A</b> |     |   |                   |              |                    |
| 1.0 $\mu$ H                                 | 1   | 2.5 x 2 x 1.2<br>$I_{SAT} = 3.4$ A for 10% drop,<br>$DCR_{MAX} = 49$ m $\Omega$ | DFE252012R-1R0M   | TOKO INC.    | Output inductor    |
| 22 $\mu$ F                                  | 3   | 10 V X5R 0603   | GRM188R61A226ME15 | Murata       | Output capacitance |
| 4.7 $\mu$ F                                 | 2   | 10 V X5R 0402   | GRM155R61A475MEAA | Murata       | Input capacitance  |
| 0.1 $\mu$ F                                 | 1   | 10 V X5R 0201   | GRM033R61A104ME84 | Murata       | Input capacitance  |
| <b>Buck, SW4 - (0.400-3.300V), 1.0 A</b>    |     |   |                   |              |                    |
| 1.0 $\mu$ H                                 | 1   | 2 x 1.6 x 0.9<br>$I_{SAT} = 2.0$ A for 30% drop,<br>$DCR_{MAX} = 80$ m $\Omega$ | LQM2MPN1R0MGH     | Murata       | Output inductor    |
| 22 $\mu$ F                                  | 3   | 10 V X5R 0603   | GRM188R61A226ME15 | Murata       | Output capacitance |
| 4.7 $\mu$ F                                 | 2   | 10 V X5R 0402   | GRM155R61A475MEAA | Murata       | Input capacitance  |
| 0.1 $\mu$ F                                 | 1   | 10 V X5R 0201   | GRM033R61A104ME84 | Murata       | Input capacitance  |

**Table 139. Bill of materials -40 °C to 85 °C applications (continued) (85)**

| Value                               | Qty | Description                                   | Part#              | Manufacturer     | Component/pin                                       |
|-------------------------------------|-----|---|--------------------|------------------|---|
| <b>BOOST, SWBST - 5.0 V, 600 mA</b> |     |   |                    |                  |   |
| 2.2 $\mu$ H                         | 1   | 2 x 1.6 x 1<br>$I_{SAT} = 2.4$ A for 10% drop | DFE201610E-2R2M    | TOKO INC.        | Output inductor                                     |
| 22 $\mu$ F                          | 2   | 10 V X5R 0603                                 | GRM188R61A226ME15D | Murata           | Output capacitance                                  |
| 10 $\mu$ F                          | 3   | 10 V X5R 0402                                 | GRM155R61A106ME11  | Murata           | Input capacitance                                   |
| 2.2 $\mu$ F                         | 1   | 10 V X5R 0201                                 | GRM033R61A225ME47  | Murata           | Input capacitance                                   |
| 0.1 $\mu$ F                         | 1   | 10 V X5R 0201                                 | GRM033R61A104KE84  | Murata           | Input capacitance                                   |
| 1.0 A                               | 1   | DIODE SCH PWR RECT 1.0 A 20V SMT              | MBR120LSFT3G       | ON Semiconductor | Schottky diode                                      |
| <b>LDO, VGEN1, 2, 3, 4, 5, 6</b>    |     |   |                    |                  |   |
| 4.7 $\mu$ F                         | 1   | 10 V X5R 0402                                 | GRM155R61A475MEAA  | Murata           | VGEN2,4 output capacitors                           |
| 2.2 $\mu$ F                         | 1   | 10 V X5R 0201                                 | GRM033R61A225ME47  | Murata           | VGEN1,3,5,6 output capacitors                       |
| 1.0 $\mu$ F                         | 1   | 10 V X5R 0402                                 | GRM033R61A105ME44  | Murata           | VGEN1,2,3,4,5,6 input capacitors                    |
| <b>Miscellaneous</b>                |     |   |                    |                  |   |
| 1.0 $\mu$ F                         | 1   | 10 V X5R 0402                                 | GRM033R61A105ME44  | Murata           | VCORE, VCOREDIG, VREFDDR, VINREFDDR, VIN capacitors |
| 0.22 $\mu$ F                        | 1   | 10 V X5R 0201                                 | GRM033R61A224ME90  | Murata           | VCOREREF output capacitor                           |
| 0.47 $\mu$ F                        | 1   | 10 V X5R 0201                                 | GRM033R61A474ME90  | Murata           | VSNVS output capacitor                              |
| 0.1 $\mu$ F                         | 1   | 10 V X5R 0201                                 | GRM033R61A104KE84  | Murata           | VHALF, VINREFDDR, VDDIO, LICELL capacitors          |
| 100 k $\Omega$                      | 2   | RES MF 100 k 1/16 W 1% 0402                   | RC0402FR-07100KL   | Yageo America    | Pull-up resistors                                   |
| 4.7 k $\Omega$                      | 2   | RES MF 4.70K 1/20W 1% 0201                    | RC0201FR-074K7L    | Yageo America    | I <sup>2</sup> C pull-up resistors                  |

## Notes

85. NXP does not assume liability, endorse, or warrant components from external manufacturers referenced in circuit drawings or tables. While NXP offers component recommendations in this configuration, it is the customer's responsibility to validate their application.

The following table provides a complete list of the recommended components on a full featured system using the PF0100 Device for -40 °C to 105 °C applications. Components are provided with an example part number; equivalent components may be used.

**Table 140. Bill of materials -40 °C to 105 °C applications (86)**

| Value  | Qty | Description   | Part#             | Manufacturer | Component/pin      |
|--|-----|---|-------------------|--------------|--------------------|
| <b>PMIC</b>                                  |     |   |                   |              |                    |
|  | 1   | Power management IC   | MMPF0100          | NXP          |                    |
| <b>Buck, SW1AB - (0.300-1.875 V), 2.5 A</b>  |     |   |                   |              |                    |
| 1.0 µH                                       | 1   | 2.5 x 2 x 1.2<br>$I_{SAT} = 3.4$ A for 10% drop<br>$DCR_{MAX} = 49$ mΩ  | DFE252012R-H-1R0M | TOKO INC.    | Output inductor    |
| 22 µH  | 4   | 10 V X7T 0805   | GRM21BD71A226ME44 | Murata       | Output capacitance |
| 4.7 µF                                       | 2   | 10 V X7S 0603   | GRM188C71A475KE11 | Murata       | Input capacitance  |
| 0.1 µF                                       | 1   | 10 V X7S 0201   | GRM033C71A104KE14 | Murata       | Input capacitance  |
| <b>Buck, SW1C - (0.300-1.875 V), 2.0 A</b>   |     |   |                   |              |                    |
| 1.0 µH                                       | 1   | 2 x 1.6 x 1<br>$I_{SAT} = 2.9$ A for 10% drop                           | DFE201610E-1R0M   | TOKO INC.    | Output inductor    |
| 22 µF  | 3   | 10 V X7T 0805   | GRM21BD71A226ME44 | Murata       | Output capacitance |
| 4.7 µF                                       | 1   | 10 V X7S 0603   | GRM188C71A475KE11 | Murata       | Input capacitance  |
| 0.1 µF                                       | 1   | 10 V X7S 0201   | GRM033C71A104KE14 | Murata       | Input capacitance  |
| <b>Buck, SW1ABC - (0.300-1.875 V), 4.5 A</b> |     |   |                   |              |                    |
| 1.0 µH                                       | 1   | 4.2 x 4.2 x 2<br>$I_{SAT} = 5.1$ A for 10% drop,<br>$DCR_{MAX} = 29$ mΩ | FDSD0420-H-1R0M   | TOKO INC.    | Output inductor    |
| 22 µF  | 6   | 10 V X7T 0805   | GRM21BD71A226ME44 | Murata       | Output capacitance |
| 4.7 µF                                       | 2   | 10 V X7S 0603   | GRM188C71A475KE11 | Murata       | Input capacitance  |
| 0.1 µF                                       | 1   | 10 V X7S 0201   | GRM033C71A104KE14 | Murata       | Input capacitance  |
| <b>Buck, SW2 - (0.400-3.300 V), 2.0 A</b>    |     |   |                   |              |                    |
| 1.0 µH                                       | 1   | 2 x 1.6 x 1<br>$I_{SAT} = 2.9$ A for 10% drop                           | DFE201610E-1R0M   | TOKO INC.    | Output inductor    |
| 22 µF  | 3   | 10 V X7T 0805   | GRM21BD71A226ME44 | Murata       | Output capacitance |
| 4.7 µF                                       | 1   | 10 V X7S 0603   | GRM188C71A475KE11 | Murata       | Input capacitance  |
| 0.1 µF                                       | 1   | 10 V X7S 0201   | GRM033C71A104KE14 | Murata       | Input capacitance  |
| <b>Buck, SW3AB - (0.400-3.300 V), 2.5 A</b>  |     |   |                   |              |                    |
| 1.0 µH                                       | 1   | 2 x 1.6 x 1<br>$I_{SAT} = 2.9$ A for 10% drop                           | DFE201610E-1R0M   | TOKO INC.    | Output inductor    |
| 22 µF  | 3   | 10 V X7T 0805   | GRM21BD71A226ME44 | Murata       | Output capacitance |
| 4.7 µF                                       | 1   | 10 V X7S 0603   | GRM188C71A475KE11 | Murata       | Input capacitance  |
| 0.1 µF                                       | 1   | 10 V X7S 0201   | GRM033C71A104KE14 | Murata       | Input capacitance  |
| <b>Buck, SW4 - (0.400-3.300V), 1.0 A</b>     |     |   |                   |              |                    |
| 1.0 µH                                       | 1   | 2 x 1.6 x 1<br>$I_{SAT} = 2.9$ A for 30% drop                           | DFE201610E-1R0M   | Murata       | Output inductor    |
| 22 µF  | 3   | 10 V X7T 0805   | GRM21BD71A226ME44 | Murata       | Output capacitance |
| 4.7 µF                                       | 1   | 10 V X7S 0603   | GRM188C71A475KE11 | Murata       | Input capacitance  |
| 0.1 µF                                       | 1   | 10 V X7S 0201   | GRM033C71A104KE14 | Murata       | Input capacitance  |

**Table 140. Bill of materials -40 °C to 105 °C applications (continued) (86)**

| Value                               | Qty | Description                                   | Part#             | Manufacturer     | Component/pin                                       |
|-------------------------------------|-----|---|-------------------|------------------|---|
| <b>BOOST, SWBST - 5.0 V, 600 mA</b> |     |   |                   |                  |   |
| 2.2 $\mu$ H                         | 1   | 2 x 1.6 x 1<br>$I_{SAT} = 2.4$ A for 10% drop | DFE201610E-2R2M   | TOKO INC.        | Output inductor                                     |
| 22 $\mu$ F                          | 2   | 10 V X7T 0805                                 | GRM21BD71A226ME44 | Murata           | Output capacitance                                  |
| 10 $\mu$ F                          | 3   | 10 V X7T 0603                                 | GRM188D71A106MA73 | Murata           | Input capacitance                                   |
| 2.2 $\mu$ F                         | 1   | 10 V X7S 0402                                 | GRM155C71A225KE11 | Murata           | Input capacitance                                   |
| 0.1 $\mu$ F                         | 1   | 10 V X7S 0201                                 | GRM033C71A104KE14 | Murata           | Input capacitance                                   |
| 1.0 A                               | 1   | DIODE SCH PWR RECT 1A 20V SMT                 | MBR120LSFT3G      | ON Semiconductor | Schottky diode                                      |
| <b>LDO, VGEN1, 2, 3, 4, 5, 6</b>    |     |   |                   |                  |   |
| 4.7 $\mu$ F                         | 1   | 10 V X7S 0603                                 | GRM188C71A475KE11 | Murata           | VGEN2,4 output capacitors                           |
| 2.2 $\mu$ F                         | 1   | 10 V X7S 0402                                 | GRM155C71A225KE11 | Murata           | VGEN1,3,5,6 output capacitors                       |
| 1.0 $\mu$ F                         | 1   | 10 V X7S 0402                                 | GRM155C71A105KE11 | Murata           | VGEN1,2,3,4,5,6 input capacitors                    |
| <b>Miscellaneous</b>                |     |   |                   |                  |   |
| 1.0 $\mu$ F                         | 1   | 10 V X7S 0402                                 | GRM155C71A105KE11 | Murata           | VCORE, VCOREDIG, VREFDDR, VINREFDDR, VIN capacitors |
| 0.22 $\mu$ F                        | 1   | 10 V X7R 0402                                 | GRM155R71A224KE01 | Murata           | VCOREREF output capacitor                           |
| 0.47 $\mu$ F                        | 1   | 10 V X7R 0402                                 | GRM155R71A474KE01 | Murata           | VSNVS output capacitor                              |
| 0.1 $\mu$ F                         | 1   | 10 V X7S 0201                                 | GRM033C71A104KE14 | Murata           | VHALF, VINREFDDR, VDDIO, LICELL capacitors          |
| 100 k $\Omega$                      | 2   | RES MF 100 k 1/16 W 1% 0402                   | RC0402FR-07100KL  | Yageo America    | Pull-up resistors                                   |
| 4.7 k $\Omega$                      | 2   | RES MF 4.70K 1/20W 1% 0201                    | RC0201FR-074K7L   | Yageo America    | I <sup>2</sup> C pull-up resistors                  |

## Notes

86. NXP does not assume liability, endorse, or warrant components from external manufacturers referenced in circuit drawings or tables. While NXP offers component recommendations in this configuration, it is the customer's responsibility to validate their application.

## 7.2 PF0100 layout guidelines

### 7.2.1 General board recommendations

1. It is recommended to use an eight layer board stack-up arranged as follows:
  - High current signal
  - GND
  - Signal
  - Power
  - Power
  - Signal
  - GND
  - High current signal
2. Allocate TOP and BOTTOM PCB Layers for POWER ROUTING (high current signals), copper-pour the unused area.
3. Use internal layers sandwiched between two GND planes for the SIGNAL routing.

### 7.2.2 Component placement

It is desirable to keep all component related to the power stage as close to the PMIC as possible, specially decoupling input and output capacitors.

### 7.2.3 General routing requirements

1. Some recommended things to keep in mind for manufacturability:
  - Via in pads require a 4.5 mil minimum annular ring. Pad must be 9.0 mils larger than the hole
  - Maximum copper thickness for lines less than 5.0 mils wide is 0.6 oz copper
  - Minimum allowed spacing between line and hole pad is 3.5 mils
  - Minimum allowed spacing between line and line is 3.0 mils
2. Care must be taken with SWx<sub>FB</sub> pins traces. These signals are susceptible to noise and must be routed far away from power, clock, or high power signals, like the ones on the SWx<sub>IN</sub>, SW<sub>x</sub>, SW<sub>xLX</sub>, SW<sub>BSTIN</sub>, SW<sub>BST</sub>, and SW<sub>BSTLX</sub> pins. They could be also shielded.
3. Shield feedback traces of the regulators and keep them as short as possible (trace them on the bottom so the ground and power planes shield these traces).
4. Avoid coupling traces between important signal/low noise supplies (like REFCORE, V<sub>CORE</sub>, V<sub>COREDIG</sub>) from any switching node (i.e. SW<sub>1ALX</sub>, SW<sub>1BLX</sub>, SW<sub>1CLX</sub>, SW<sub>2LX</sub>, SW<sub>3ALX</sub>, SW<sub>3BLX</sub>, SW<sub>4LX</sub>, and SW<sub>BSTLX</sub>).
5. Make sure all components related to a specific block are referenced to the corresponding ground.

### 7.2.4 Parallel routing requirements

1. I<sup>2</sup>C signal routing
  - CLK is the fastest signal of the system, so it must be given special care.
  - To avoid contamination of these delicate signals by nearby high power or high frequency signals, it is a good practice to shield them with ground planes placed on adjacent layers. Make sure the ground plane is uniform throughout the whole signal trace length.

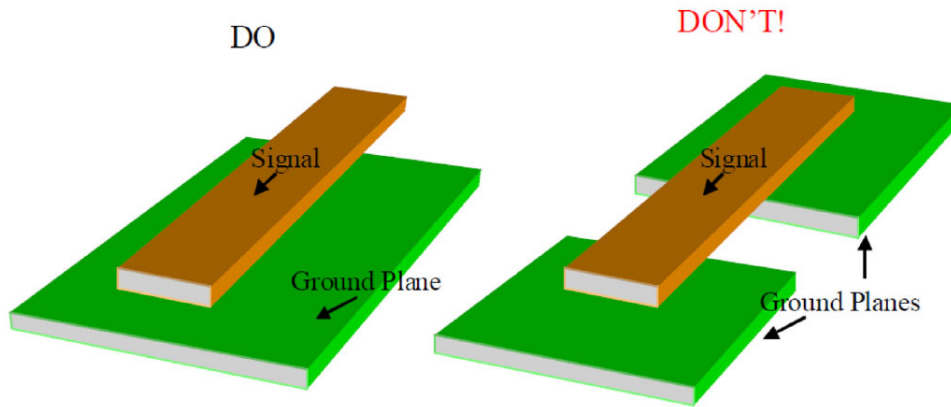


Figure 36. Recommended shielding for critical signals

- These signals can be placed on an outer layer of the board to reduce their capacitance with respect to the ground plane.
- Care must be taken with these signals not to contaminate analog signals, as they are high frequency signals. Another good practice is to trace them perpendicularly on different layers, so there is a minimum area of proximity between signals.

### 7.2.5 Switching regulator layout recommendations

1. Per design, the switching regulators in PF0100 are designed to operate with only one input bulk capacitor. However, it is recommended to add a high frequency filter input capacitor ( $C_{IN\_hf}$ ), to filter out any noise at the regulator input. This capacitor should be in the range of 100 nF and should be placed right next to or under the IC, closest to the IC pins.
2. Make high-current ripple traces low-inductance (short, high W/L ratio).
3. Make high-current traces wide or copper islands.
4. Make high-current traces symmetrical for dual-phase regulators (SW1, SW3).

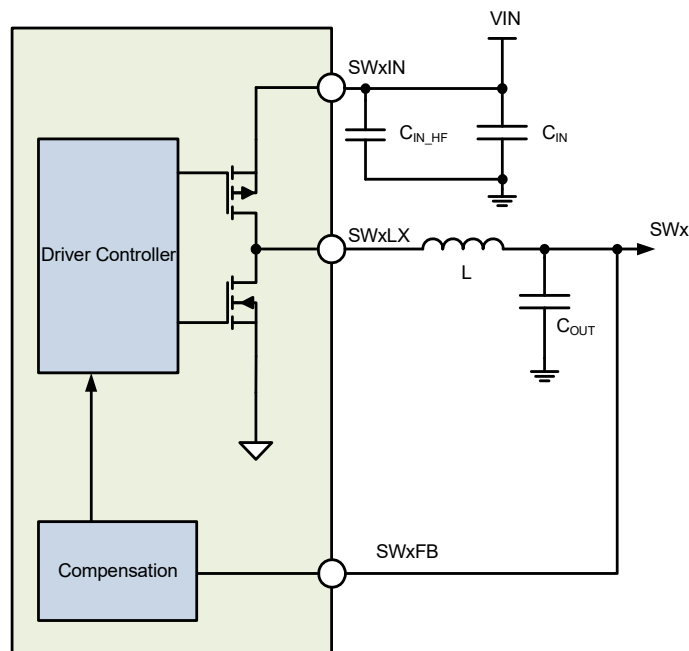


Figure 37. Generic buck regulator architecture

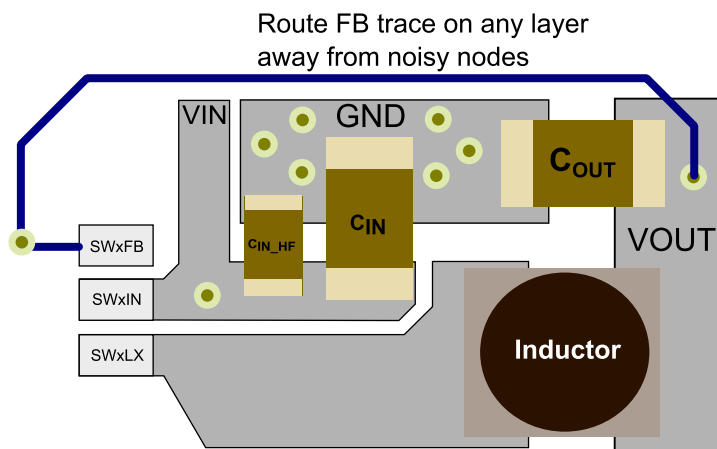


Figure 38. Layout example for buck regulators

## 7.3 Thermal information

### 7.3.1 Rating data

The thermal rating data of the packages has been simulated with the results listed in [Table 6](#).

Junction to ambient thermal resistance nomenclature: the JEDEC specification reserves the symbol  $R_{\theta JA}$  or  $\theta_{JA}$  (Theta-JA) strictly for junction-to-ambient thermal resistance on a 1s test board in natural convection environment.  $R_{\theta JMA}$  or  $\theta_{JMA}$  (Theta-JMA) is used for both junction-to-ambient on a 2s2p test board in natural convection and for junction-to-ambient with forced convection on both 1s and 2s2p test boards. It is anticipated the generic name, Theta-JA, continues to be commonly used.

The JEDEC standards can be consulted at <http://www.jedec.org>.

### 7.3.2 Estimation of junction temperature

An estimation of the chip junction temperature  $T_J$  can be obtained from the equation:

$$T_J = T_A + (R_{\theta JA} \times P_D)$$

with:

$T_A$  = Ambient temperature for the package in °C

$R_{\theta JA}$  = Junction to ambient thermal resistance in °C/W

$P_D$  = Power dissipation in the package in W

The junction to ambient thermal resistance is an industry standard value providing a quick and easy estimation of thermal performance. Unfortunately, there are two values in common usage: the value determined on a single layer board  $R_{\theta JA}$  and the value obtained on a four layer board  $R_{\theta JMA}$ . Actual application PCBs show a performance close to the simulated four layer board value although this may be somewhat degraded in case of significant power dissipated by other components placed close to the device.

At a known board temperature, the junction temperature  $T_J$  is estimated using the following equation

$$T_J = T_B + (R_{\theta JB} \times P_D) \text{ with}$$

$T_B$  = Board temperature at the package perimeter in °C

$R_{\theta JB}$  = Junction to board thermal resistance in °C/W

$P_D$  = Power dissipation in the package in W

When the heat loss from the package case to the air can be ignored, acceptable predictions of junction temperature can be made.

See [6 Functional block requirements and behaviors, page 18](#) for more details on thermal management.

## 8 Packaging

### 8.1 Packaging dimensions

Package dimensions are provided in package drawings. To find the most current package outline drawing, go to [www.nxp.com](http://www.nxp.com) and perform a keyword search for the drawing's document number. See the [4.2 Thermal characteristics, page 11](#) section for specific thermal characteristics for each package.

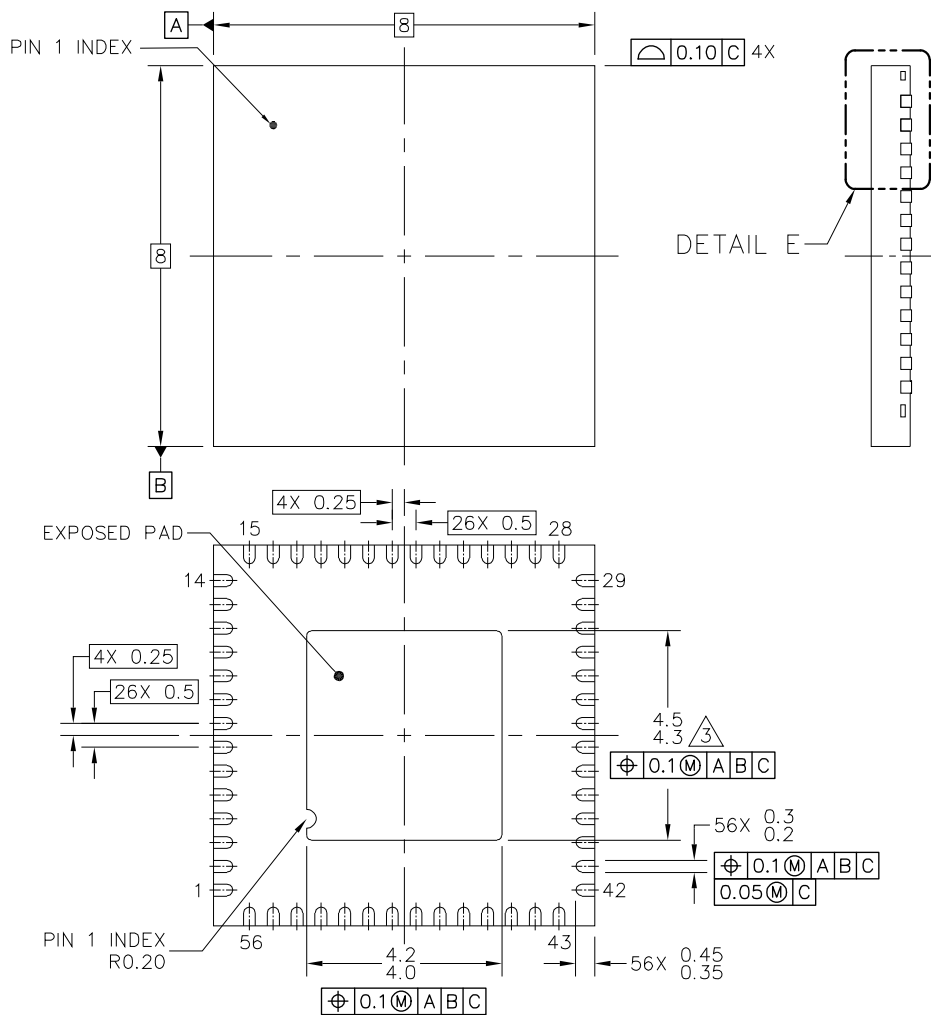
**Table 141. Package drawing information**

| Package   | Suffix | Package outline drawing number |
|---|--------|--------------------------------|
| 56 QFN 8x8 mm - 0.5 mm pitch. E-Type (full lead)      | EP     | 98ASA00405D                    |
| 56 QFN 8x8 mm - 0.5 mm pitch. WF-Type (wetable flank) | ES     | 98ASA00589D                    |



© NXP B.V. ALL RIGHTS RESERVED.  
 ELECTRONIC VERSIONS ARE UNCONTROLLED EXCEPT WHEN  
 ACCESSED DIRECTLY FROM THE DOCUMENT CONTROLLING REPOSITORY.  
 PRINTED VERSIONS ARE UNCONTROLLED EXCEPT WHEN STAMPED  
 "CONTROLLED COPY" IN RED.

**MECHANICAL OUTLINE**  
**DO NOT SCALE THIS DRAWING**



RELEASED FOR EXTERNAL ASSEMBLY ONLY  
 THIS DESIGN ONLY MEETS EXTERNAL DESIGN AND ASSEMBLY RULES. MUST BE REVIEWED AND  
 UPDATED BEFORE BEING ASSEMBLED INTERNALLY

TITLE:  
 QFN, THERMALLY ENHANCED  
 8 X 8 X 0.85, 0.5 PITCH, 56 I/O

DOCUMENT NO: 98ASA00405D REV: D

STANDARD: NON-JEDEC

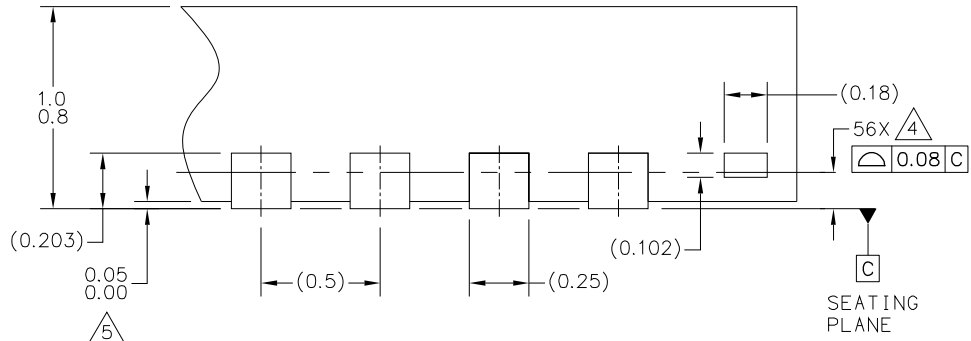
SOT684-16

SHEET: 1 OF 8



© NXP B.V. ALL RIGHTS RESERVED.  
 ELECTRONIC VERSIONS ARE UNCONTROLLED EXCEPT WHEN  
 ACCESSED DIRECTLY FROM THE DOCUMENT CONTROL REPOSITORY.  
 PRINTED VERSIONS ARE UNCONTROLLED EXCEPT WHEN STAMPED  
 "CONTROLLED COPY" IN RED.

**MECHANICAL OUTLINE**  
**DO NOT SCALE THIS DRAWING**



DETAIL E  
 VIEW ROTATED 90° CW

TITLE: QFN, THERMALLY ENHANCED  
 8 X 8 X 0.85, 0.5 PITCH, 56 I/O


DOCUMENT NO: 98ASA00405D REV: D

STANDARD: NON-JEDEC

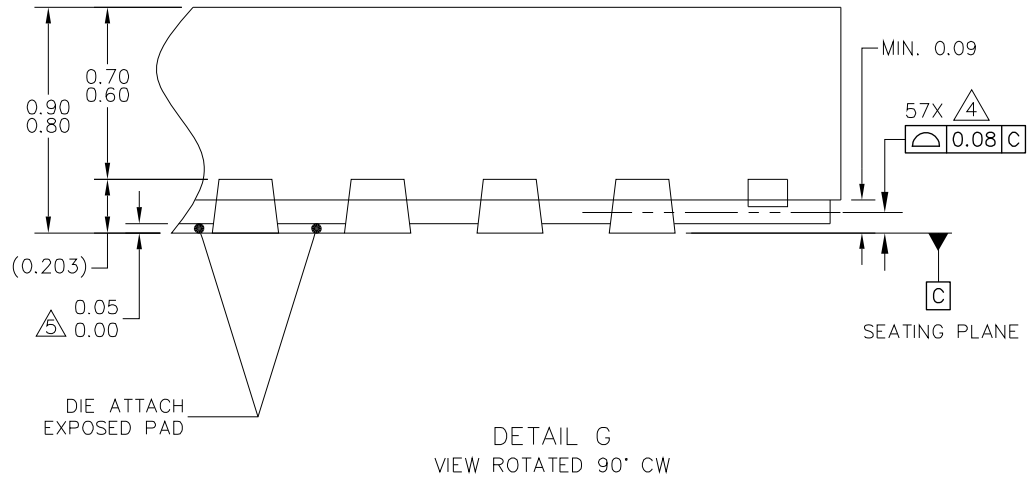
SOT684-16

SHEET: 2



|  |   |  |                          |        |                     |  |           |          |
|--|---|--|--------------------------|--------|---------------------|--|-----------|----------|
|   | <small>© NXP B.V. ALL RIGHTS RESERVED.<br/>         ELECTRONIC VERSIONS ARE UNCONTROLLED EXCEPT WHEN<br/>         ACCESSED DIRECTLY FROM THE DOCUMENT CONTROL REPOSITORY.<br/>         PRINTED VERSIONS ARE UNCONTROLLED EXCEPT WHEN STAMPED<br/>         "CONTROLLED COPY" IN RED.</small> | <p><b>MECHANICAL OUTLINE</b><br/> <b>DO NOT SCALE THIS DRAWING</b></p> |                          |        |                     |  |           |          |
| <p>NOTE:</p> <ol style="list-style-type: none"> <li>1. ALL DIMENSIONS ARE IN MILLIMETERS.</li> <li>2. DIMENSIONING &amp; TOLERANCING PER ASME Y14.5 – 1994.</li> <li>3. THIS DIMENSION APPLIES TO METALIZED TERMINAL AND IS MEASURED BETWEEN 0.25 AND 0.30 MM FROM TERMINAL TIP.</li> <li>4. BILATERAL COPLANARITY ZONE APPLIES TO THE EXPOSED PAD AS WELL AS THE TERMINALS.</li> <li>5. THIS DIMENSION APPLIES ONLY FOR TERMINALS.</li> </ol> |   |  |                          |        |                     |  |           |          |
| <p>TITLE:<br/>         QFN, THERMALLY ENHANCED<br/>         8 X 8 X 0.85, 0.5 PITCH, 56 I/O</p>  | <table border="1"> <tr> <td>DOCUMENT NO: 98ASA00405D</td> <td>REV: D</td> </tr> <tr> <td colspan="2">STANDARD: NON-JEDEC</td> </tr> <tr> <td>SOT684-16</td> <td>SHEET: 7</td> </tr> </table>  |  | DOCUMENT NO: 98ASA00405D | REV: D | STANDARD: NON-JEDEC |  | SOT684-16 | SHEET: 7 |
| DOCUMENT NO: 98ASA00405D   | REV: D  |  |                          |        |                     |  |           |          |
| STANDARD: NON-JEDEC  |   |  |                          |        |                     |  |           |          |
| SOT684-16  | SHEET: 7  |  |                          |        |                     |  |           |          |





|   |                           |                            |  |
|---|---------------------------|----------------------------|--|
| © NXP SEMICONDUCTORS N.V.<br>ALL RIGHTS RESERVED                          | <b>MECHANICAL OUTLINE</b> | PRINT VERSION NOT TO SCALE |  |
| TITLE:<br>QFN, THERMALLY ENHANCED<br>8 X 8 X 0.85, 0.5 PITCH, 56 TERMINAL | DOCUMENT NO: 98ASA00589D  | REV: C                     |  |
|   | STANDARD: NON-JEDEC       |                            |  |
|   | SOT684-18                 | 19 APR 2016                |  |



## NOTES:

1. ALL DIMENSIONS ARE IN MILLIMETERS.
2. DIMENSIONING AND TOLERANCING PER ASME Y14.5M-2009.
3. THIS DIMENSION APPLIES TO METALIZED TERMINAL AND IS MEASURED BETWEEN 0.15 AND 0.30MM FROM TERMINAL TIP.
4. BILATERAL COPLANARITY ZONE APPLIES TO THE EXPOSED PAD AS WELL AS THE TERMINALS.
5. THIS DIMENSION APPLIES ONLY FOR TERMINALS.

|   |                           |                            |
|---|---------------------------|----------------------------|
| © NXP SEMICONDUCTORS N.V.<br>ALL RIGHTS RESERVED                          | <b>MECHANICAL OUTLINE</b> | PRINT VERSION NOT TO SCALE |
| TITLE:<br>QFN, THERMALLY ENHANCED<br>8 X 8 X 0.85, 0.5 PITCH, 56 TERMINAL | DOCUMENT NO: 98ASA00589D  | REV: C                     |
|   | STANDARD: NON-JEDEC       |                            |
|   | SOT684-18                 | 19 APR 2016                |

## 9 Reference section

### 9.1 Reference documents

Table 142. PF0100 reference documents

| Reference              | Description                           |
|------------------------|---------------------------------------|
| <a href="#">AN4536</a> | MMPF0100 OTP programming instructions |

## 10 Revision history

| Revision | Date    | Description of changes   |
|----------|---------|--|
| 1        | 7/2011  | <ul style="list-style-type: none"> <li>Preliminary specification release</li> </ul>  |
| 2        | 8/2012  | <ul style="list-style-type: none"> <li>NPI phase: prototype major updates throughout cycle</li> </ul>  |
| 3        | 10/2012 | <ul style="list-style-type: none"> <li>Initial production release</li> </ul>   |
| 4        | 5/2013  | <ul style="list-style-type: none"> <li><a href="#">Table 4</a>. Added recommended pin connection when regulators are unused</li> <li>Update <a href="#">Table 9</a>. Current Consumption summary</li> <li><a href="#">Table 10</a>. Removed VREFDDR_VOLT row</li> <li>Removed automatic fuse programming feature</li> <li>Updated Max frequency specification for the 16 MHz clock to 17.2 MHz</li> <li><a href="#">Table 17</a>. Added specification for derived 2.0 Mhz clock</li> <li>Added <a href="#">Clock adjustment</a></li> <li><a href="#">Table 22</a>. Updated VREFDDR minimum Current limit specification</li> <li>Updated Block diagram for all Switching Regulators</li> <li>Updated current limit and overcurrent protection minimum specification on LDOS</li> <li><a href="#">Table 111</a>. Update VTH0 and VTL0 specification on VSNVS</li> <li>Updated <a href="#">Table 137</a>, Address FF</li> <li>Updated <a href="#">Table 138</a>, address D8 and D9</li> <li>Update <a href="#">Figure 35</a>. Typical application diagram</li> <li>Removed Part Identification section</li> </ul> |
| 5        | 7/2013  | <ul style="list-style-type: none"> <li>Added part numbers to the ordering information for the MMPF0100A</li> <li>Added corrections and notes to the document to accommodate the new part numbers, where identified by MMPF0100A</li> <li><a href="#">VIN threshold (coin cell powered to VIN powered)</a> Max. changed to 3.1</li> </ul>   |
| 6        | 8/2013  | <ul style="list-style-type: none"> <li>Removed LICELL connection to VIN on PF0100A</li> <li>Removed 4.7 <math>\mu</math>F LICELL bypass capacitor as coin cell replacement</li> </ul>  |
| 7        | 12/2013 | <ul style="list-style-type: none"> <li>Updated typical and max Off Current</li> <li>Add bypass capacitor in VDDIO</li> <li>Added industrial part numbers PMPF0100xxANES</li> <li>Added parts F3 and F4</li> <li>Added <a href="#">Table 3, Ambient temperature range</a> and updated specification headers accordingly.</li> <li>Increased max standby and sleep currents on Extended Industrial parts.</li> <li>Update output accuracy on SW1A/B, SW1C, SW2, SW3A/B and SW4.</li> <li>Corrected the default value on DEVICEID register, bit4 (unused) from 0 to 1.</li> <li>Corrected default register values on <a href="#">Table 118</a>.</li> <li>Added VDDIO capacitor to <a href="#">Miscellaneous</a> in the BOM</li> </ul>   |
| 8        | 4/2014  | <ul style="list-style-type: none"> <li>Corrected VDDOTP maximum rating</li> <li>Corrected SWBSTFB maximum rating</li> <li>Corrected inductor Isat for SW1ABC single phase mode from 4.5 A to 6.0 A</li> <li>Added note to clarify SWBST default operation in Auto mode</li> <li>Corrected default value of bits in SILICONREVID register in <a href="#">Table 136</a></li> <li>Changed VSNVS current limit for PF0100A</li> <li>Noted that voltage settings 0.6V and below are not supported</li> <li>VSNVS Turn On Delay (td1) spec corrected from 15 ms to 5.0 ms</li> <li>Updated per GPCN 16298</li> </ul>   |
|          | 6/2014  | <ul style="list-style-type: none"> <li>Corrected GPCN number in the revision history table (16220 changed to 16298)</li> </ul>   |
| 9        | 7/2014  | <ul style="list-style-type: none"> <li>Updated VTL1, VTH1, and VSNVSCROSS threshold specifications</li> <li>Added F6 part</li> <li>Changes documented in GPCN 16369</li> </ul>   |
| 10       | 7/2015  | <ul style="list-style-type: none"> <li>Added new part numbers MMPF0100F9ANES and MMPF0100FAANES to <a href="#">Table 1</a></li> <li>Updated <a href="#">Table 10</a></li> </ul>  |
| 11       | 8/2015  | <ul style="list-style-type: none"> <li>Removed MMPF0100F3EP and MMPF0100F4EP from Orderable Parts table</li> </ul>   |

## REVISION HISTORY

| Revision | Date    | Description of changes  |
|----------|---------|---|
| 12       | 9/2015  | <ul style="list-style-type: none"> <li>• Updated <a href="#">Table 53</a></li> <li>• Updated <a href="#">Table 62</a></li> <li>• Updated <a href="#">Table 77</a></li> <li>• Updated <a href="#">Table 86</a></li> <li>• Fixed typo in <a href="#">Table 138</a></li> <li>• Updated <a href="#">Table 139</a></li> <li>• Added <a href="#">Table 140</a></li> <li>• Corrected the default register value for SW1ABMODE in <a href="#">Table 46</a></li> <li>• Corrected the default register value for SW1CMODE in <a href="#">Table 51</a></li> <li>• Corrected the default register value for SW2MODE in <a href="#">Table 60</a></li> <li>• Corrected the default register value for SW3AMODE in <a href="#">Table 70</a></li> <li>• Corrected the default register value for SW3BMODE in <a href="#">Table 75</a></li> <li>• Corrected the default register value for SW4MODE in <a href="#">Table 84</a></li> <li>• Updated <a href="#">Figure 35</a></li> </ul> |
| 13       | 12/2015 | <ul style="list-style-type: none"> <li>• Removed MMPF0100NPEP, MMPF0100F0EP, MMPF0100F1EP, and MMPF0100F2EP from <a href="#">Orderable Part Variations</a>. No longer manufactured.</li> <li>• Updated <a href="#">Table 10</a></li> <li>• Reformatted to newer template form and style</li> </ul>  |
| 14       | 3/2016  | <ul style="list-style-type: none"> <li>• Updated SW2 current capability from 2000 mA to 2500 mA for F9/FA versions</li> </ul>   |
| 15       | 5/2016  | <ul style="list-style-type: none"> <li>• Changed <a href="#">Table 10</a> row - Default I<sup>2</sup>C Address from 0x80 to 0x08 for F9 and FA</li> </ul>   |
| 16       | 9/2016  | <ul style="list-style-type: none"> <li>• Added NP version to OTP's with SW2 current capability of 2500 mA</li> <li>• Added MMPF0100FBANES part number to <a href="#">Table 1</a></li> <li>• Added FB OTP option to <a href="#">Table 10</a></li> </ul>  |
| 17       | 1/2017  | <ul style="list-style-type: none"> <li>• Added MMPF0100FCAEP, MMPF0100FDAEP, and MMPF0100FCANES part numbers to <a href="#">Table 1</a></li> <li>• Added OTP configurations for FC and FD to <a href="#">Table 10</a></li> </ul>  |
| 18       | 7/2019  | <ul style="list-style-type: none"> <li>• Updated 98ASA00405D drawing as per PCN 201906034F01</li> <li>• Changed document status from Advance Information to Technical Data</li> </ul>   |
| 19       | 4/2022  | <ul style="list-style-type: none"> <li>• Added 98ASA00405D optional bottom view page for E-type package as per CIN 202204010I</li> </ul>  |
| 20       | 5/2022  | <ul style="list-style-type: none"> <li>• <a href="#">Table 139</a>: replaced Freescale by NXP</li> <li>• <a href="#">Table 140</a>: replaced Freescale by NXP</li> </ul>  |



**How to Reach Us:**

**Home Page:**

[NXP.com](http://www.nxp.com)

**Web Support:**

<http://www.nxp.com/support>

Information in this document is provided solely to enable system and software implementers to use NXP products.

There are no expressed or implied copyright licenses granted hereunder to design or fabricate any integrated circuits based on the information in this document. NXP reserves the right to make changes without further notice to any products herein.

NXP makes no warranty, representation, or guarantee regarding the suitability of its products for any particular purpose, nor does NXP assume any liability arising out of the application or use of any product or circuit, and specifically disclaims any and all liability, including without limitation, consequential or incidental damages. "Typical" parameters that may be provided in NXP data sheets and/or specifications can and do vary in different applications, and actual performance may vary over time. All operating parameters, including "typicals," must be validated for each customer application by the customer's technical experts. NXP does not convey any license under its patent rights nor the rights of others. NXP sells products pursuant to standard terms and conditions of sale, which can be found at the following address:

<http://www.nxp.com/terms-of-use.html>.

NXP, the NXP logo, Freescale, the Freescale logo, and SMARTMOS, are trademarks of NXP B.V. All other product or service names are the property of their respective owners. All rights reserved.

© NXP B.V. 2022.

Document Number: MMPF0100

Rev. 20

5/2022



## Looking for pricing, stock, or lifecycle information?

Click below to explore more details on WIN SOURCE:

 [View MMPF0100F4ANES on WIN SOURCE](#)

 [NXP / Nexperia Information](#)

## Optimize Your Supply Chain with WIN SOURCE Solutions

-  Global Sourcing Solution
-  Obsolete Management
-  Cost Control Management
-  Shortage Management
-  Alternative Solution
-  Excess Inventory Management