



**THE DATASHEET OF  
DSEE6-06CC**



# HiPerDynFRED™ Epitaxial Diode

## ISOPLUS220™

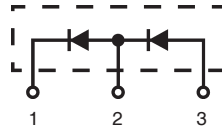
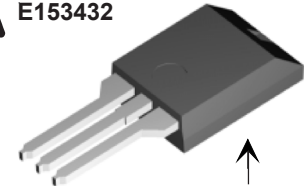
### Electrically Isolated Back Surface

$$I_{FAV} = 6 \text{ A}$$

$$V_{RRM} = 600 \text{ V}$$

$$t_{rr} = 20 \text{ ns}$$

$V_{RRM}^{①}$	$V_{RRM}$	Type
V	V	
600	300	DSEE 6-06CC


 ISOPLUS 220  
 E153432


Isolated back surface\*

Symbol	Conditions	Maximum Ratings	
$I_{FRMS}$		20	A
$I_{FAVM}$	$T_C = 150^\circ\text{C}$ ; rectangular, $d = 0.5$	6	A
$E_{AS}$	$T_{VJ} = 25^\circ\text{C}$ ; non-repetitive $I_{AS} = 0.8 \text{ A}$ ; $L = 180 \mu\text{H}$	0.1	mJ
$I_{AR}$	$V_A = 1.5 \cdot V_R$ typ.; $f = 10 \text{ kHz}$ ; repetitive	0.1	A
$T_{VJ}$		-40...+175	$^\circ\text{C}$
$T_{VJM}$		175	$^\circ\text{C}$
$T_{stg}$		-40...+150	$^\circ\text{C}$
$P_{tot}$	$T_C = 25^\circ\text{C}$	50	W
$V_{ISOL}$	50/60 Hz RMS; $I_{ISOL} \leq 1 \text{ mA}$	2500	V~
$F_C$	Mounting force	11...65 / 2.4...11	N / lb
Weight	typical	2	g

#### Features

- λ Silicon chip on Direct-Copper-Bond substrate
- High power dissipation
- Isolated mounting surface
- 2500V electrical isolation
- λ Low cathode to tab capacitance (<15pF)
- λ Planar passivated chips
- λ Very short recovery time
- λ Extremely low switching losses
- λ Low  $I_{RM}$ -values
- λ Soft recovery behaviour
- λ Epoxy meets UL 94V-0

#### Applications

- λ Antiparallel diode for high frequency switching devices
- λ Antisaturation diode
- λ Snubber diode
- λ Free wheeling diode in converters and motor control circuits
- λ Rectifiers in switch mode power supplies (SMPS)
- λ Inductive heating
- λ Uninterruptible power supplies (UPS)
- λ Ultrasonic cleaners and welders

#### Advantages

- λ Avalanche voltage rated for reliable operation
- λ Soft reverse recovery for low EMI/RFI
- λ Low  $I_{RM}$  reduces:
  - Power dissipation within the diode
  - Turn-on loss in the commutating switch

Symbol	Conditions	Characteristic Values	
		typ.	max.
$I_R^{①}$	$T_{VJ} = 25^\circ\text{C}$ $V_R = V_{RRM}$ $T_{VJ} = 150^\circ\text{C}$ $V_R = V_{RRM}$	25	$\mu\text{A}$
$V_F^{③}$	$I_F = 10 \text{ A}$ ; $T_{VJ} = 125^\circ\text{C}$ $T_{VJ} = 25^\circ\text{C}$	1.35	V
$R_{thJC}$		3.0	K/W
$R_{thCH}$		0.6	K/W
$t_{rr}$	$I_F = 1 \text{ A}$ ; $-di/dt = 50 \text{ A}/\mu\text{s}$ ; $V_R = 30 \text{ V}$ ; $T_{VJ} = 25^\circ\text{C}$	20	ns
$I_{RM}$	$V_R = 100 \text{ V}$ ; $I_F = 10 \text{ A}$ ; $-di_F/dt = 100 \text{ A}/\mu\text{s}$ $T_{VJ} = 100^\circ\text{C}$	2	A

 Notes: Data given for  $T_{VJ} = 25^\circ\text{C}$  and per diode unless otherwise specified

① Diodes connected in series

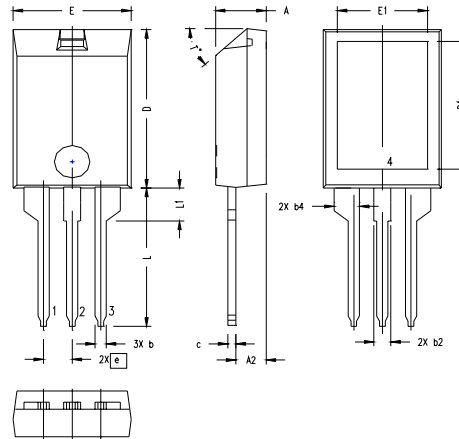
② Pulse test: pulse Width = 5 ms, Duty Cycle &lt; 2.0 %

 ③ Pulse test: pulse Width = 300  $\mu\text{s}$ , Duty Cycle < 2.0 %

**Recommended replacement:**  
**DSEE8-08CC**

IXYS reserves the right to change limits, test conditions and dimensions.

20080317a

**ISOPLUS220 Outline**


SYM	INCHES		MILLIMETERS	
	MIN	MAX	MIN	MAX
A	.157	.197	4.00	5.00
A2	.098	.118	2.50	3.00
b	.035	.051	0.90	1.30
b2	.049	.065	1.25	1.65
b4	.093	.100	2.35	2.55
c	.028	.039	0.70	1.00
D	.591	.630	15.00	16.00
D1	.472	.512	12.00	13.00
E	.394	.433	10.00	11.00
E1	.295	.335	7.50	8.50
e	.100 BASIC		2.55 BASIC	
L	.512	.571	13.00	14.50
L1	.118	.138	3.00	3.50
T*			42.5°	47.5°

**NOTE:**

1. Bottom heatsink (Pin 4) is electrically isolated from Pin 1, 2 or 3.
2. Pin connections:
  - 1 - Cathode
  - 2 - Anode/Cathode
  - 3 - Anode

## Looking for pricing, stock, or lifecycle information?

Click below to explore more details on WIN SOURCE:

- ⊖ [View DSEE6-06CC on WIN SOURCE](#)
- ⊖ [IXYS Information](#)

## Optimize Your Supply Chain with WIN SOURCE Solutions

- ✓ Global Sourcing Solution
- ✓ Obsolete Management
- ✓ Cost Control Management
- ✓ Shortage Management
- ✓ Alternative Solution
- ✓ Excess Inventory Management