

Microwave Power Silicon NPN Transistor 30W (peak), 960–1215MHz, 36V

Rev. V1

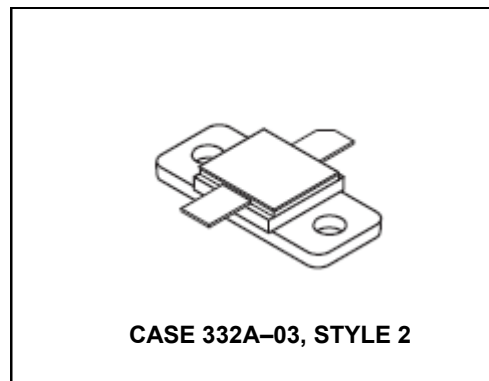
Features

- Guaranteed performance @ 960-1215MHz, 36Vdc
- Output power: 30W peak
- Minimum gain: 9.0dB min., 9.5dB typ.
- 100% tested for load mismatch at all phase angles with 10:1 VSWR
- Hermetically sealed, industry standard package
- Silicon nitride passivated
- Gold metallized, emitter ballasted for long life and resistance to metal migration
- Internal input matching for broadband operation

Description and Applications

Designed for 960–1215 MHz long or short pulse common base amplifier applications such as JTIDS and Mode–S transmitters.

Product Image



Maximum Ratings

Rating	Symbol	Value	Unit
Collector–Emitter Voltage	V_{CES}	55	Vdc
Collector–Base Voltage (1)	V_{CBO}	55	Vdc
Emitter–Base Voltage	V_{EBO}	3.5	Vdc
Collector Current — Continuous (1)	I_C	3.0	Adc
Total Device Dissipation @ $T_C = 25^\circ\text{C}$ (1), (2) Derate above 25°C	P_D	110 0.625	Watts mW/ $^\circ\text{C}$
Storage Temperature Range	T_{stg}	– 65 to + 200	$^\circ\text{C}$
Junction Temperature	T_J	200	$^\circ\text{C}$

THERMAL CHARACTERISTICS

Characteristic	Symbol	Max	Unit
Thermal Resistance, Junction to Case (3)	$R_{\theta JC}$	1.6	$^\circ\text{C/W}$

NOTES:

1. Under pulse RF operating conditions.
2. These devices are designed for RF operation. The total device dissipation rating applies only when the devices are operated as pulsed RF amplifiers.
3. Thermal Resistance is determined under specified RF operating conditions by infrared measurement techniques. (Worst case θ_{JC} value measured @ 23% duty cycle)

Microwave Power Silicon NPN Transistor 30W (peak), 960–1215MHz, 36V

Rev. V1

ELECTRICAL CHARACTERISTICS (T_C = 25°C unless otherwise noted.)

Characteristic	Symbol	Min	Typ	Max	Unit
----------------	--------	-----	-----	-----	------

OFF CHARACTERISTICS

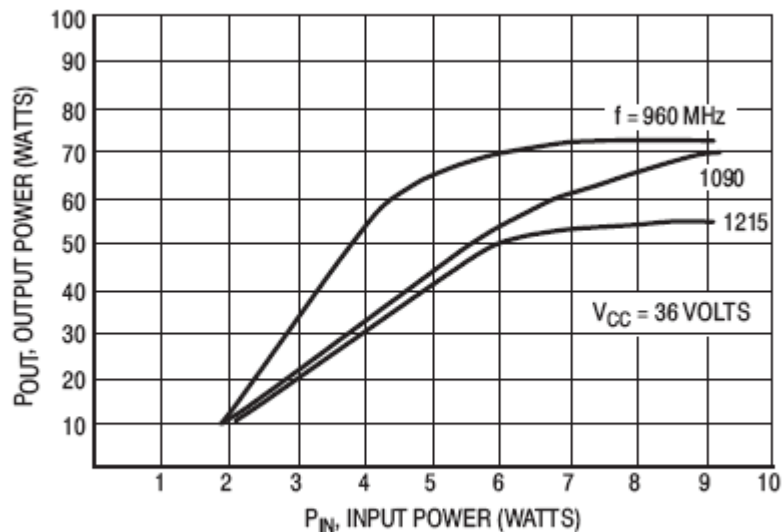
Collector–Emitter Breakdown Voltage (I _C = 25 mA _{dc} , V _{BE} = 0)	V _{(BR)CES}	55	—	—	V _{dc}
Collector–Base Breakdown Voltage (I _C = 25 mA _{dc} , I _E = 0)	V _{(BR)CBO}	55	—	—	V _{dc}
Emitter–Base Breakdown Voltage (I _E = 5.0 mA _{dc} , I _C = 0)	V _{(BR)EBO}	3.5	—	—	V _{dc}
Collector Cutoff Current (V _{CB} = 36 V _{dc} , I _E = 0)	I _{CBO}	—	—	2.0	mA _{dc}

ON CHARACTERISTICS

DC Current Gain (I _C = 500 mA _{dc} , V _{CE} = 5.0 V _{dc})	h _{FE}	20	—	—	—
--	-----------------	----	---	---	---

FUNCTIONAL TESTS (10 μs Pulses @ 50% duty cycle for 3.5 ms; overall duty cycle – 25%)

Common–Base Amplifier Power Gain (V _{CC} = 36 V _{dc} , P _{out} = 30 W Peak, f = 960 MHz)	G _{PB}	9.0	9.5	—	dB
Collector Efficiency (V _{CC} = 36 V _{dc} , P _{out} = 30 W Peak, f = 960 MHz)	η	40	45	—	%
Load Mismatch (V _{CC} = 36 V _{dc} , P _{out} = 30 W Peak, f = 960 MHz, VSWR = 10:1 All Phase Angles)	ψ	No Degradation in Output Power			



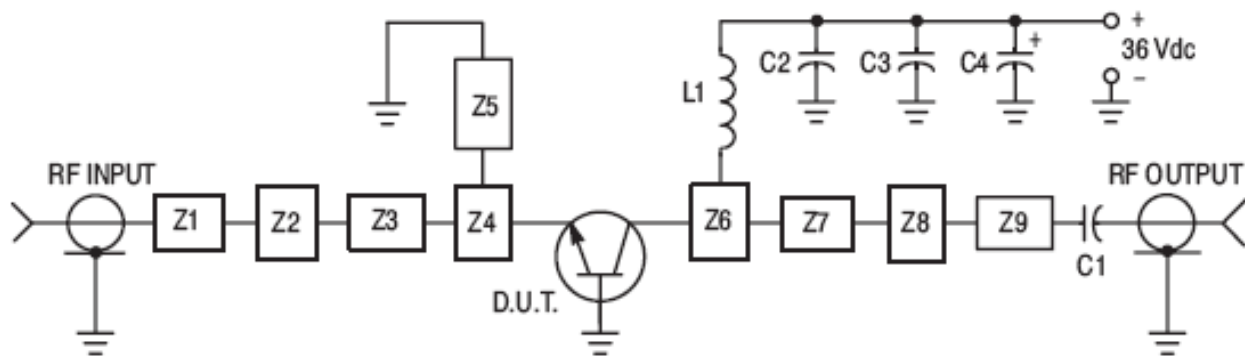
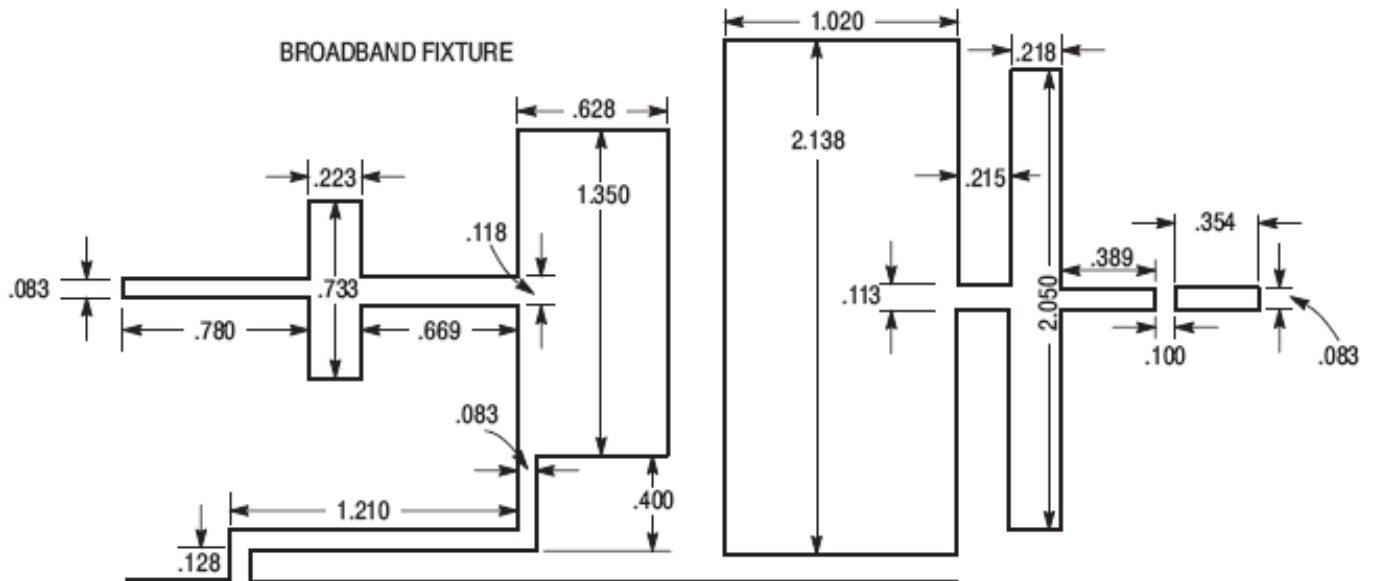
Output power versus input power

MRF10031



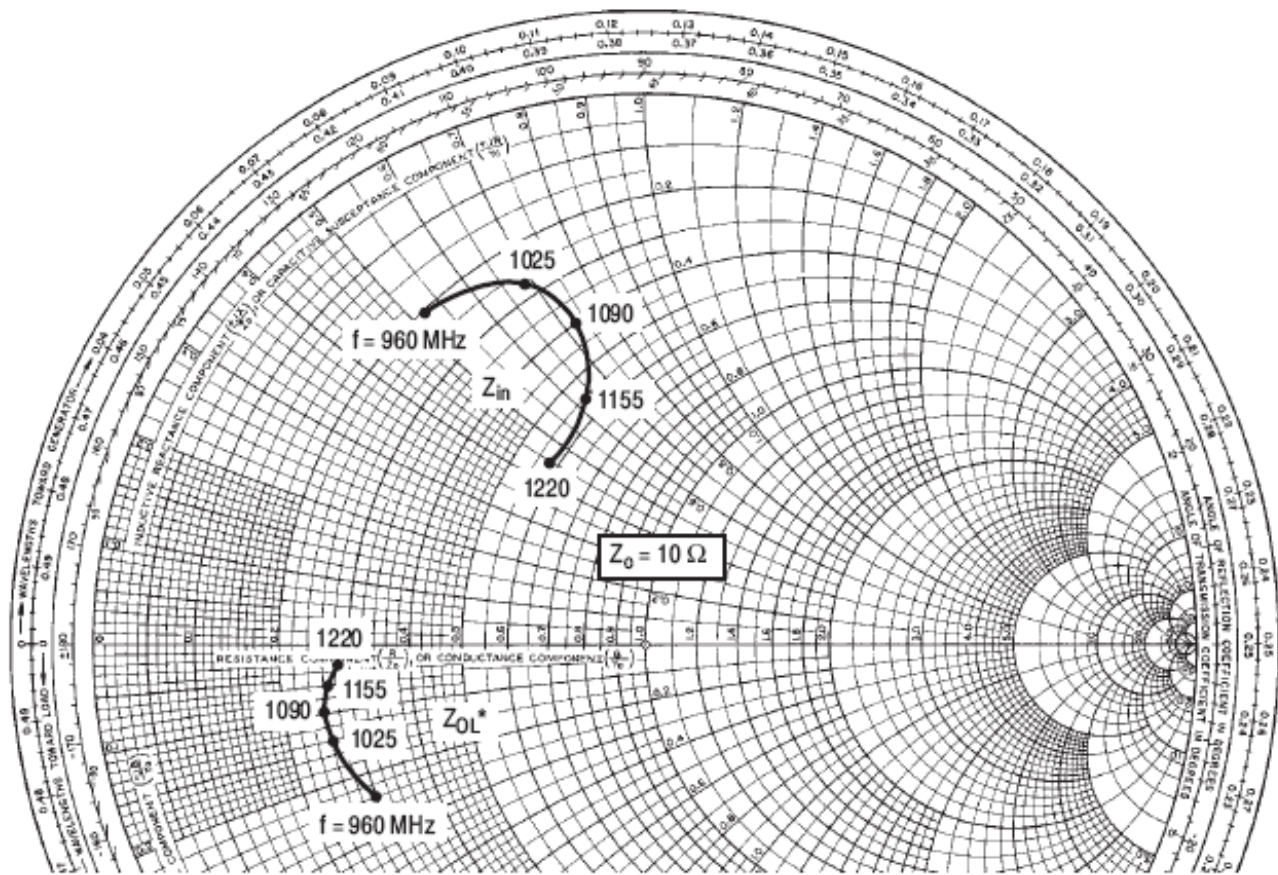
Microwave Power Silicon NPN Transistor
30W (peak), 960–1215MHz, 36V

Rev. V1



- C1 — 75 pF 100 Mil Chip Capacitor
- C2 — 39 pF 100 Mil Chip Capacitor
- C3 — 0.1 μ F
- C4 — 1000 μ F, 50 Vdc, Electrolytic
- L1 — 3 Turns #18 AWG, 1/8" ID, 0.18 Long

- Z1–Z9 — Microstrip, See Details
- Board Material — Teflon, Glass Laminate
- Dielectric Thickness = 0.030"
- $\epsilon_r = 2.55$, 2 Oz. Copper



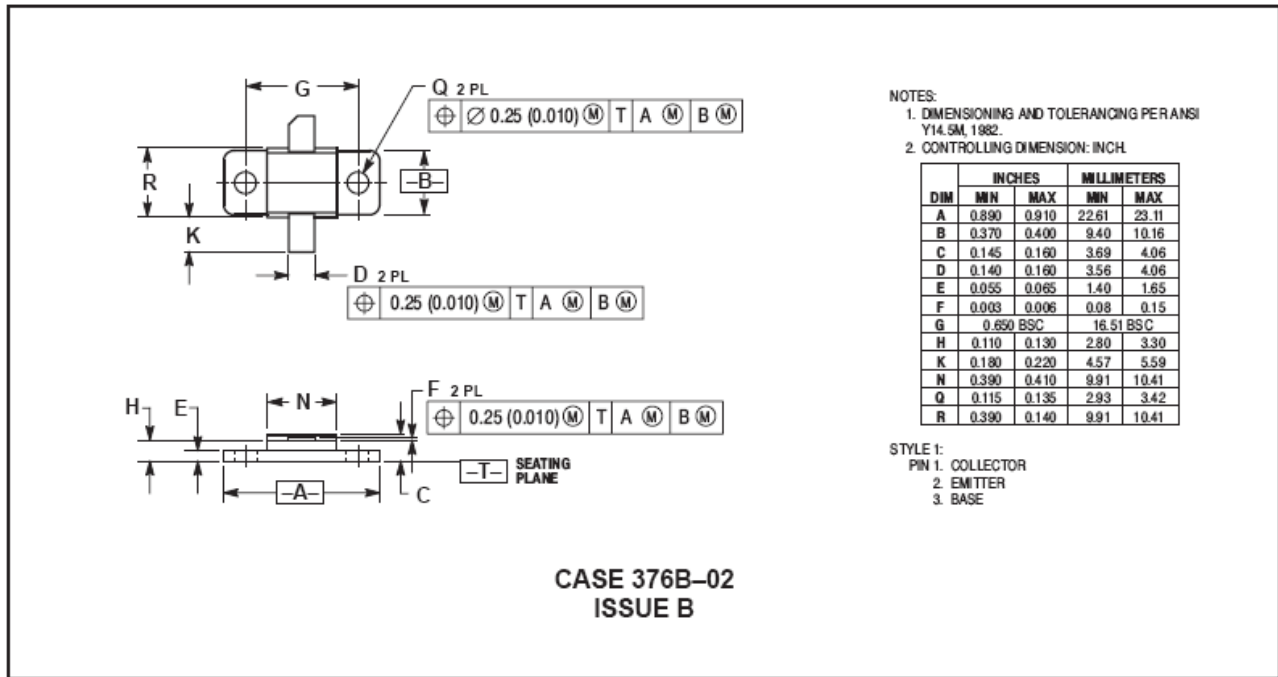
$P_{out} = 30 \text{ Wpk}$ $V_{CC} = 36 \text{ V}$

f MHz	Z _{in} Ohms	Z _{OL} * Ohms
960	2.05 + j5.2	2.9 - j2.35
1025	2.67 + j6.34	2.55 - j1.3
1090	4.0 + j7.1	2.52 - j0.9
1155	5.5 + j6.2	2.6 - j0.6
1220	5.7 + j4.3	2.8 - j0.3

Z_{OL}* = Conjugate of the optimum load impedance into which the device operates at a given output power, voltage, and frequency.

Series equivalent input/output impedances

PACKAGE DIMENSIONS



M/A-COM Technology Solutions Inc. All rights reserved.

Information in this document is provided in connection with M/A-COM Technology Solutions Inc ("MACOM") products. These materials are provided by MACOM as a service to its customers and may be used for informational purposes only. Except as provided in MACOM's Terms and Conditions of Sale for such products or in any separate agreement related to this document, MACOM assumes no liability whatsoever. MACOM assumes no responsibility for errors or omissions in these materials. MACOM may make changes to specifications and product descriptions at any time, without notice. MACOM makes no commitment to update the information and shall have no responsibility whatsoever for conflicts or incompatibilities arising from future changes to its specifications and product descriptions. No license, express or implied, by estoppel or otherwise, to any intellectual property rights is granted by this document.

THESE MATERIALS ARE PROVIDED "AS IS" WITHOUT WARRANTY OF ANY KIND, EITHER EXPRESS OR IMPLIED, RELATING TO SALE AND/OR USE OF MACOM PRODUCTS INCLUDING LIABILITY OR WARRANTIES RELATING TO FITNESS FOR A PARTICULAR PURPOSE, CONSEQUENTIAL OR INCIDENTAL DAMAGES, MERCHANTABILITY, OR INFRINGEMENT OF ANY PATENT, COPYRIGHT OR OTHER INTELLECTUAL PROPERTY RIGHT. MACOM FURTHER DOES NOT WARRANT THE ACCURACY OR COMPLETENESS OF THE INFORMATION, TEXT, GRAPHICS OR OTHER ITEMS CONTAINED WITHIN THESE MATERIALS. MACOM SHALL NOT BE LIABLE FOR ANY SPECIAL, INDIRECT, INCIDENTAL, OR CONSEQUENTIAL DAMAGES, INCLUDING WITHOUT LIMITATION, LOST REVENUES OR LOST PROFITS, WHICH MAY RESULT FROM THE USE OF THESE MATERIALS.

MACOM products are not intended for use in medical, lifesaving or life sustaining applications. MACOM customers using or selling MACOM products for use in such applications do so at their own risk and agree to fully indemnify MACOM for any damages resulting from such improper use or sale.

Looking for pricing, stock, or lifecycle information?

Click below to explore more details on WIN SOURCE:

- ⊖ [View MRF10031 on WIN SOURCE](#)
- ⊖ [M/A-Com Technology Solutions Information](#)

Optimize Your Supply Chain with WIN SOURCE Solutions

- ✓ Global Sourcing Solution
- ✓ Obsolete Management
- ✓ Cost Control Management
- ✓ Shortage Management
- ✓ Alternative Solution
- ✓ Excess Inventory Management