



**THE DATASHEET OF
PCN10-32P-2.54DSA(72)**

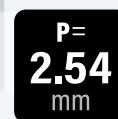


PCN10 Series

IEC603-2 / DIN41612 Standard Compliant Products



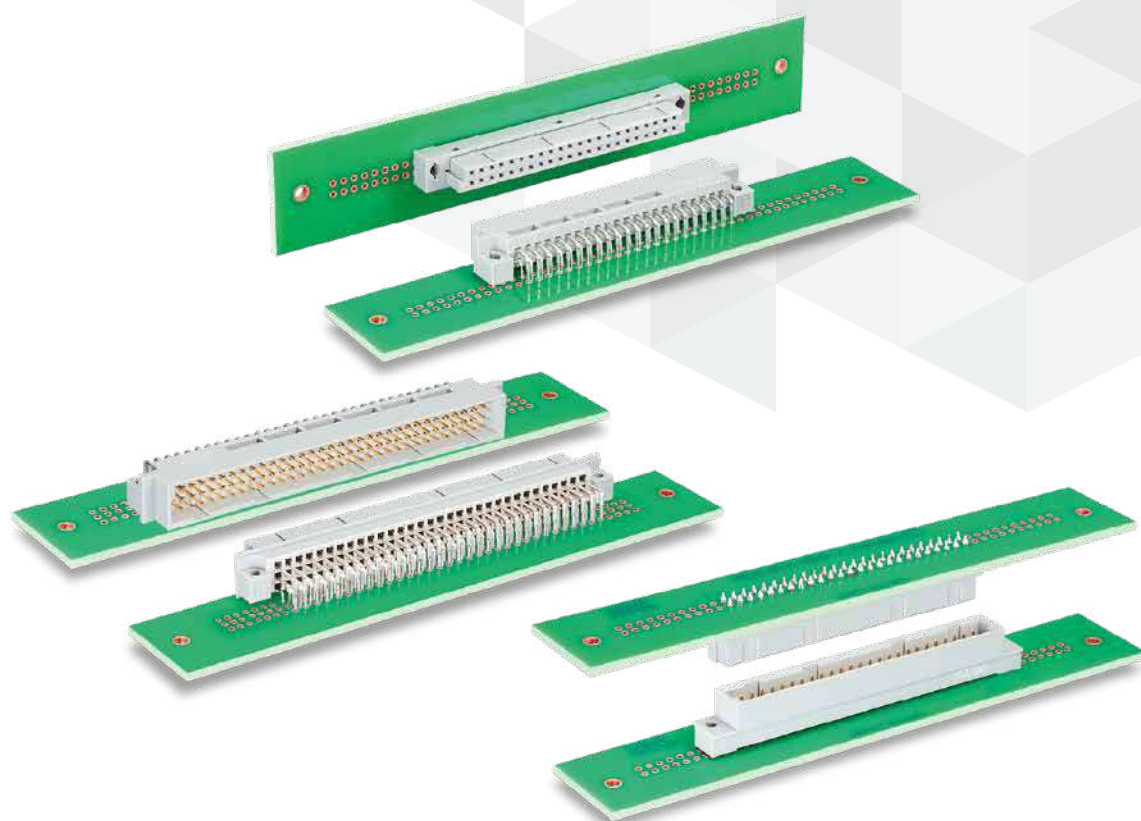
DIN Standard



P=2.54 mm



Wide Variation



Features

1. Complies with DIN Standard

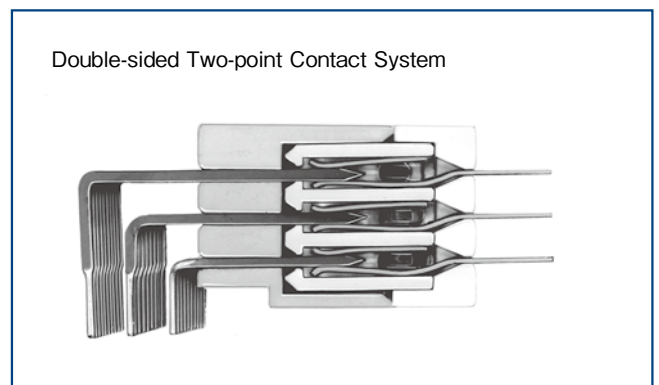
Complies with IEC603-2/DIN41612 standard.

2. Number of Positions

14 pin variations available : 16, 20, 24, 30, 32, 44, 48, 50, 64, 90, 96, 100, 128, and 144

3. Two-point Contact Design

Highly reliable double-sided two point contacts.



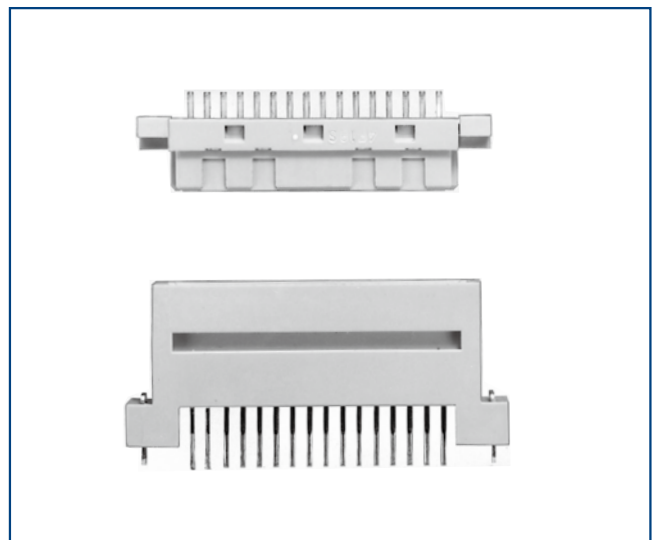
Two-point Contact Design

4. Wide Applications

DIN standard types of B,C,R, and Q are available. The easy lock pin type for temporary board installation is available.

5. Stacking Height Variation

The PCN10H Series includes 5 stacking height variations : 25, 30, 35, 40 and 45mm.



Stacking Connector

6. Circuit Protection

The PCN10MC Series has a sequence design for circuit protection.

7. Cable Connector

IDC connectors for ribbon cable are available.
Crimp connectors compatible with 26-30 AWG are also available.

Applications

Computers, Control Equipment, Switches, Measuring Devices, etc.

Product Specifications

| | | | |
|---------------|---------|---------------------------------|--------------|
| Rated Current | 2A | Operating Temperature (Note 1) | -55 to +85°C |
| Rated Voltage | 300V AC | Operating Humidity Range | 85% Max. |
| | | Storage Temperature (Note 2) | -10 to +60°C |
| | | Storage Humidity Range (Note 2) | 40 to 70% |

| Item | Specification | Condition |
|---------------------------|---|---|
| Insulation Resistance | 10 ⁶ M Ω Min. | Measured at 100V DC |
| Withstanding Voltage | No flashover or insulation breakdown. | 1000V AC for 1 min. (IDC, Crimp Type : 650V AC) |
| Contact Resistance | 20m Ω Max. | Measured at 0.1A |
| Vibration Resistance | No electrical discontinuity of 10 μ s Min. | Frequency : 10 to 55 Hz, single amplitude of 0.75 mm, 2 hours in each of the 3 directions. |
| Humidity (Steady State) | Insulation resistance : 10 ⁶ M Ω Min. | 96 hours at temperature of 40 ± 2°C and humidity of 90% to 95% |
| Temperature Cycle | No damage, cracks, or parts looseness. | (-65°C : 30 minutes → 15 to 35°C : 5 minutes Max. → 125°C : 30 minutes → 15 to 35°C : 5 minutes Max.) 5 times |
| Mating Durability | Contact resistance : 20m Ω Max. | 500 times |
| Soldering Heat Resistance | No deformation of components affecting performance. | Manual soldering : 350°C for 3 seconds |

Note 1 : Includes the temperature rise due to current flow.

Note 2 : The term "storage" refers to products stored for long period of time prior to mounting and use. The operating temperature and humidity range applies to the non-energized state after board mounting and temporary storage during transportation.

Material / Finish

| Component | | Material | Color/Finish | Remarks |
|-----------|------------|--------------|--|---------|
| Insulator | | PBT | Gray | UL94V-0 |
| Contact | Pin Header | Brass | Contact Area: Nickel Underplated+Gold Plated Remaining Areas: Nickel Underplated+Tin Plated | - |
| | Receptacle | Copper Alloy | | |

Product Number Structure

■ PCN10 Series

Refer to the chart below when determining the product specifications from the product number.
Please select from the product numbers listed in this catalog when placing orders.

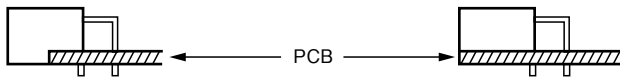
PCN10 A - # P - 2.54 DS

- ① ② ③ ④ ⑤ ⑥

| | | | |
|-----------------|---|------------------|--|
| ① Series Name | PCN10 | ③ No. of Pos. | 2-row : 16,20,24,32,44,50,64,90,100 3-row : 48,96,144 4-row : 128 |
| ② Configuration | Blank : Mold Type (as listed below) A : Mold Type (as listed below) B : Mold Type (as listed below) C : 2-row Type EA : 2-row Type (With Lock Pin for Temporary Board Installation) H : 35mm Stacking Height HA : 30mm Stacking Height HB : 25mm Stacking Height HC : 45mm Stacking Height HD : 40mm Stacking Height MC : With Circuit Protection | ④ Connector Type | P : Pin Header S : Receptacle |
| | | ⑤ Contact Pitch | 2.54mm |
| | | ⑥ Contact Type | DS : Right Angle Through Hole Type DSA : Straight Through Hole Type WA : Wrapping Type (0.5tx0.7W) WB : Wrapping Type (0.5tx0.5W) C : Crimp Type |

PCN10 (Note)
PCN10B

PCN10A
PCN10EA



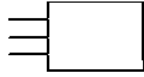
Note : However the right angle 2-row receptacle type is PCN10A.

Combination

Pin Header

- Straight Through Hole Type

PCN10-##P-2.54DSA



- Stacking Through Hole Type

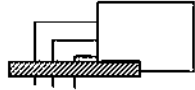
PCN10H-##P-2.54DSA



*Does not mate with PCN10EA-##S-2.54DSA.

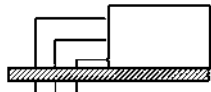
- Right Angle Through Hole Type
(Mounted on Board Edge)

PCN10-##P-2.54DS
PCN12-##P-2.54DS
PCN12E-##P-2.54DS



- Right Angle Through Hole Type
(Board Mounted)

PCN10A-##P-2.54DS
PCN10EA-##P-2.54DS
PCN12A-##P-2.54DS
PCN12EA-##P-2.54DS



Receptacle

- Straight Through Hole Type

PCN10-##S-2.54DSA
PCN10C-##S-2.54DSA
PCN10EA-##S-2.54DSA
PCN12-##S-2.54DSA
PCN12E-##S-2.54DSA
PCN13-##S-2.54DSA

- Wrapping Type

PCN10-##S-2.54W#

- Right Angle Through Hole Type
(Mounted On The Board Edge)

PCN10B-##S-2.54DS

- Right Angle Through Hole Type
(Mounted On The Board)

PCN10A-##S-2.54DS
PCN10C-##S-2.54DS
PCN13-##S-2.54DS

- Cable Type

PCN10-##S-2.54C + PCN10-####SC#
PCN10-##S-2.54R

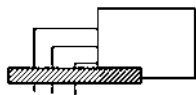
■ Circuit Protection Type

Pin Header

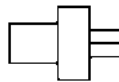
Receptacle

● Right Angle Through Hole Type

PCN10MC#-##P-2.54DS

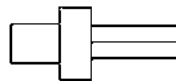


● Straight Through Hole Type



PCN10MC#-##S-2.54DSA

● Wrapping Type



PCN10MC#-##S-2.54W#

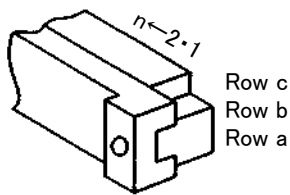
Contact Numbers

For the mating of DIN Standard type C (Type B) and Type R (Type Q), the contact numbers are No.1-32 and the rows are a, b, and c.

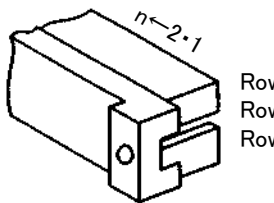
- DIN standard type C and type R represent the 3-row 96 contacts type, including 32 contacts in single-row.
- DIN standard type B and type Q represent the 2-row 64 contacts type, including 32 contacts in single-row.

1. Receptacle Straight Type

Type C (Type B)



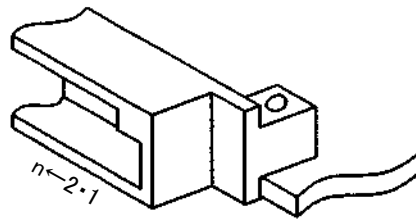
Contact No.
Inverted



2. Pin Header Right Angle Type

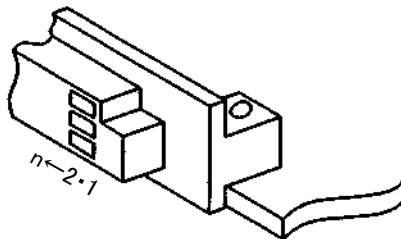
Type C (Type B)

Row c
Row b
Row a



Contact No.
Inverted

Row c
Row b
Row a



3. Pin Header Straight Type

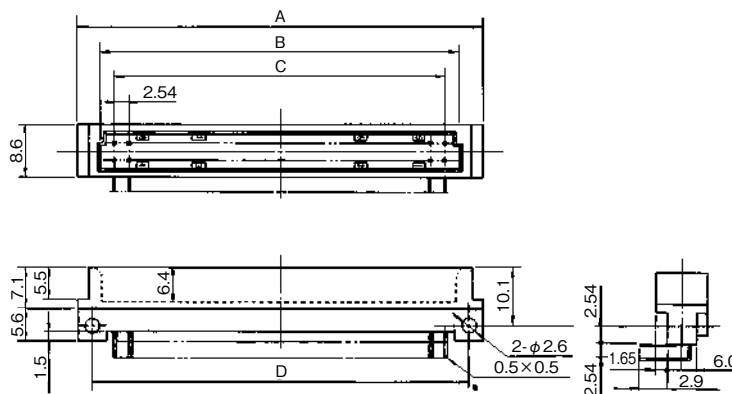
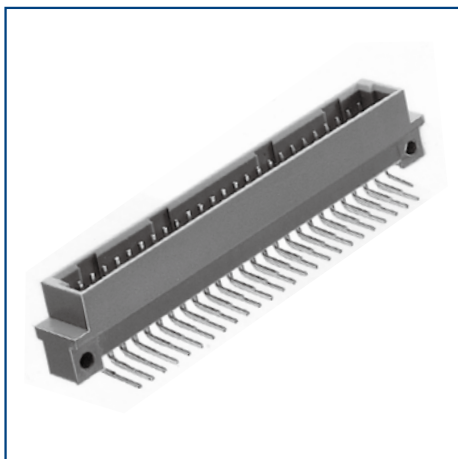
Type R (Type Q)

4. Receptacle Right Angle Type

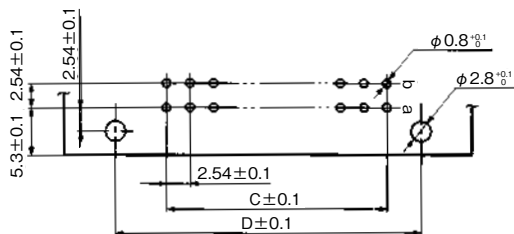
Type R (Type Q)

Note : DIN connectors are standardized based on a combination of straight and right angle types. In the above figure, the contact no. of combination 1-2, 3-4 match, but the contact no. of combination 1-3, 2-4 are inverted.

Pin Header : 2-row Right Angle Type (DIN Standard Type B)



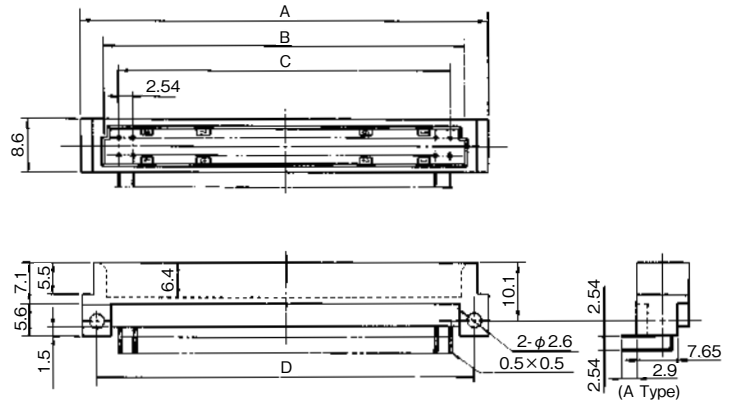
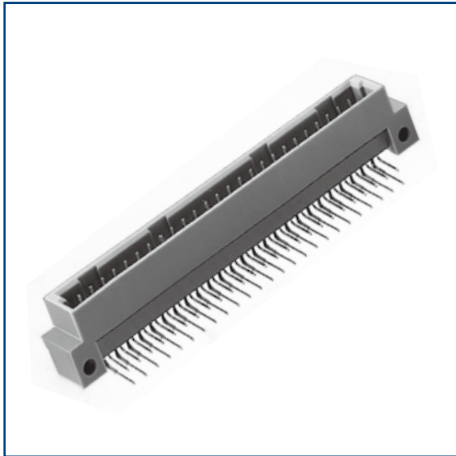
PCB Mounting Pattern



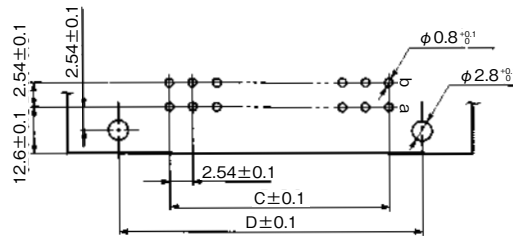
Unit : mm

| Part No. | HRS No. | No. of Pos. | A | B | C | D | RoHS | Purchase Unit |
|-----------------------|------------------|-------------|--------|--------|--------|--------|----------------|----------------|
| PCN10-16P-2.54DS(72) | CL0583-0230-9-72 | 16 | 33.04 | 24.39 | 17.78 | 27.94 | Yes | 40pcs per tray |
| PCN10-20P-2.54DS(72) | CL0583-0077-3-72 | 20 | 38.12 | 29.47 | 22.86 | 33.02 | | |
| PCN10-32P-2.54DS(72) | CL0583-0015-6-72 | 32 | 53.36 | 44.71 | 38.10 | 48.26 | | |
| PCN10-44P-2.54DS(72) | CL0583-0038-1-72 | 44 | 68.60 | 59.95 | 53.34 | 63.50 | | |
| PCN10-50P-2.54DS(72) | CL0583-0016-9-72 | 50 | 76.22 | 67.57 | 60.96 | 71.12 | | |
| PCN10-64P-2.54DS(72) | CL0583-0017-1-72 | 64 | 94.00 | 85.35 | 78.74 | 88.90 | | |
| PCN10-90P-2.54DS(72) | CL0583-0018-4-72 | 90 | 127.02 | 118.37 | 111.76 | 121.92 | | |
| PCN10-100P-2.54DS(72) | CL0583-0113-5-72 | 100 | 139.72 | 131.07 | 124.46 | 134.62 | 10pcs per tray | |

Pin Header : 2-row Right Angle Type



PCB Mounting Pattern

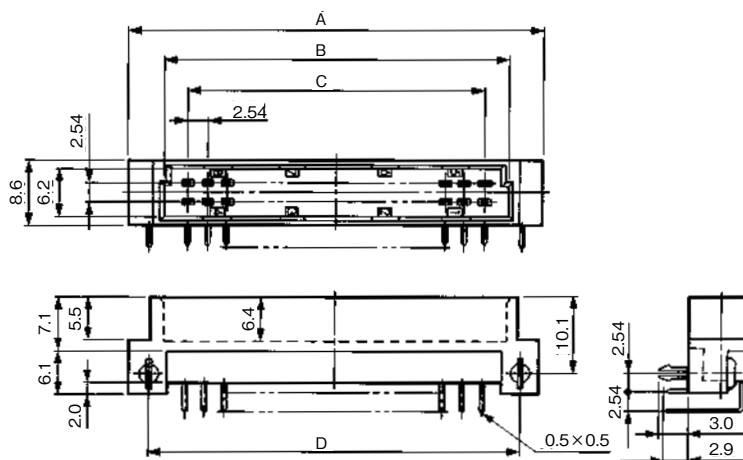


Unit : mm

| Part No. | HRS No. | No. of Pos. | A | B | C | D | RoHS | Purchase Unit |
|------------------------|------------------|-------------|--------|--------|--------|--------|----------------|----------------|
| PCN10A-16P-2.54DS(72) | CL0583-0231-1-72 | 16 | 33.04 | 24.39 | 17.78 | 27.94 | Yes | 40pcs per tray |
| PCN10A-20P-2.54DS(72) | CL0583-0078-6-72 | 20 | 38.12 | 29.47 | 22.86 | 33.02 | | |
| PCN10A-32P-2.54DS(72) | CL0583-0011-5-72 | 32 | 53.36 | 44.71 | 38.10 | 48.26 | | |
| PCN10A-44P-2.54DS(72) | CL0583-0039-4-72 | 44 | 68.60 | 59.95 | 53.34 | 63.50 | | |
| PCN10A-50P-2.54DS(72) | CL0583-0012-8-72 | 50 | 76.22 | 67.57 | 60.96 | 71.12 | | |
| PCN10A-64P-2.54DS(72) | CL0583-0013-0-72 | 64 | 94.00 | 85.35 | 78.74 | 88.90 | | |
| PCN10A-90P-2.54DS(72) | CL0583-0014-3-72 | 90 | 127.02 | 118.37 | 111.76 | 121.92 | | |
| PCN10A-100P-2.54DS(72) | CL0583-0114-8-72 | 100 | 139.72 | 131.07 | 124.46 | 134.62 | 10pcs per tray | |

Pin Header : 2-row Right Angle Type

●With Lock Pin for Temporary Board Installation

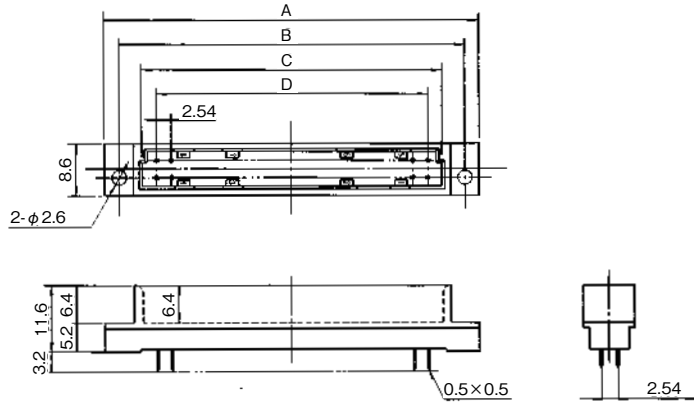
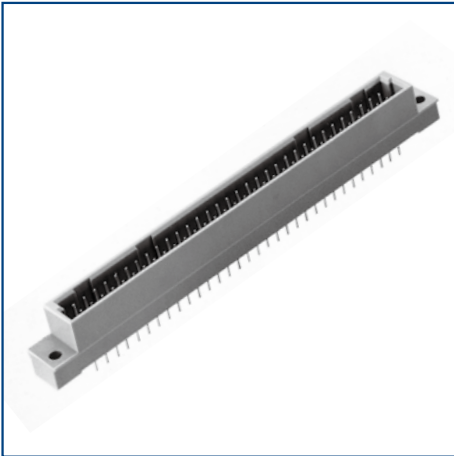


●The PCB mounting pattern is equivalent to PCN10A-#P-2.54DS(72).

Unit : mm

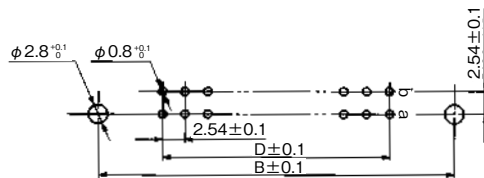
| Part No. | HRS No. | No. of Pos. | A | B | C | D | RoHS | Purchase Unit |
|-------------------------|------------------|-------------|--------|--------|--------|--------|------|----------------|
| PCN10EA-16P-2.54DS(72) | CL0583-0256-2-72 | 16 | 33.04 | 24.39 | 17.78 | 27.94 | Yes | 40pcs per tray |
| PCN10EA-20P-2.54DS(72) | CL0583-0181-5-72 | 20 | 38.12 | 29.47 | 22.86 | 33.02 | | |
| PCN10EA-32P-2.54DS(72) | CL0583-0182-8-72 | 32 | 53.36 | 44.71 | 38.10 | 48.26 | | 20pcs per tray |
| PCN10EA-44P-2.54DS(72) | CL0583-0183-0-72 | 44 | 68.60 | 59.95 | 53.34 | 63.50 | | |
| PCN10EA-50P-2.54DS(72) | CL0583-0184-3-72 | 50 | 76.22 | 67.57 | 60.96 | 71.12 | | 10pcs per tray |
| PCN10EA-64P-2.54DS(72) | CL0583-0185-6-72 | 64 | 94.00 | 85.35 | 78.74 | 88.90 | | |
| PCN10EA-90P-2.54DS(72) | CL0583-0186-9-72 | 90 | 127.02 | 118.37 | 111.76 | 121.92 | | |
| PCN10EA-100P-2.54DS(72) | CL0583-0187-1-72 | 100 | 139.72 | 131.07 | 124.46 | 134.62 | | |

Pin Header : 2-row Straight Type



*Type Q differs in the outer dimensions and PCB mounting pattern.

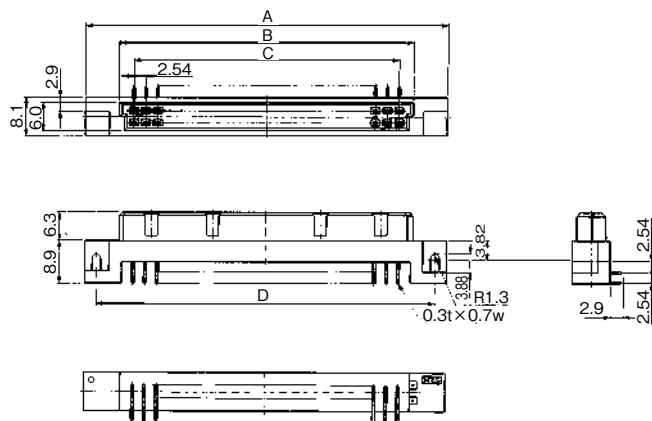
PCB Mounting Pattern



Unit : mm

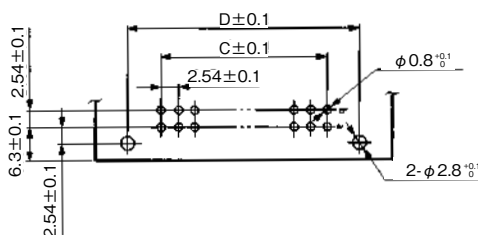
| Part No. | HRS No. | No. of Pos. | A | B | C | D | RoHS | Purchase Unit |
|------------------------|------------------|-------------|--------|--------|--------|--------|------|----------------|
| PCN10-20P-2.54DSA(72) | CL0583-0139-9-72 | 20 | 43.30 | 38.10 | 29.47 | 22.86 | Yes | 45pcs per tray |
| PCN10-32P-2.54DSA(72) | CL0583-0007-8-72 | 32 | 58.54 | 53.34 | 44.71 | 38.10 | | 30pcs per tray |
| PCN10-44P-2.54DSA(72) | CL0583-0488-8-72 | 44 | 73.78 | 68.58 | 59.95 | 53.54 | | 15pcs per tray |
| PCN10-50P-2.54DSA(72) | CL0583-0008-0-72 | 50 | 81.40 | 76.20 | 67.57 | 60.96 | | |
| PCN10-64P-2.54DSA(72) | CL0583-0009-3-72 | 64 | 99.18 | 93.98 | 85.35 | 78.74 | | |
| PCN10-90P-2.54DSA(72) | CL0583-0010-2-72 | 90 | 132.20 | 127.00 | 118.37 | 111.76 | | |
| PCN10-100P-2.54DSA(72) | CL0583-0251-9-72 | 100 | 144.90 | 139.70 | 131.07 | 124.46 | | |

Receptacle : 2-row Right Angle Type



*Type Q differs in the external size and PCB mounting pattern.

PCB Mounting Pattern

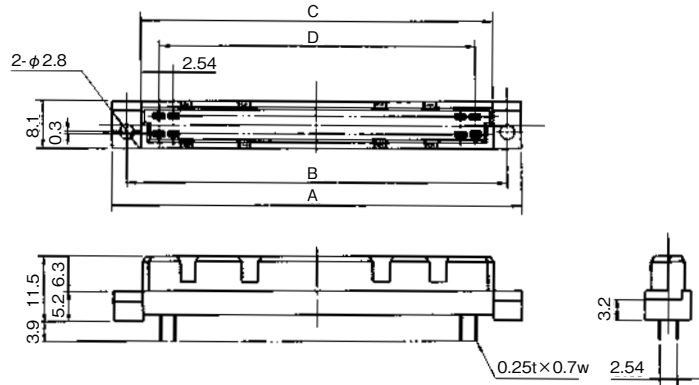
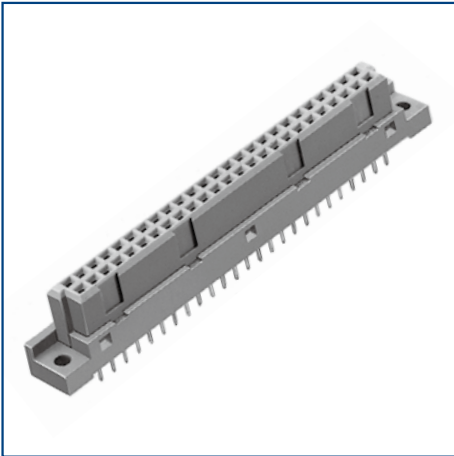


Unit : mm

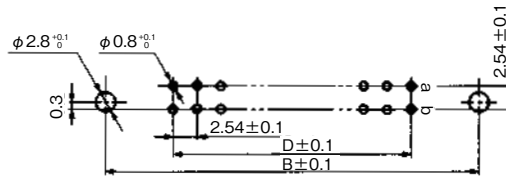
| Part No. | HRS No. | No. of Pos. | A | B | C | D | RoHS | Purchase Unit |
|------------------------|------------------|-------------|--------|--------|--------|--------|------|----------------|
| PCN10C-20S-2.54DS(72) | CL0583-0201-0-72 | 20 | 43.10 | 29.12 | 22.86 | 38.10 | Yes | 33pcs per tray |
| PCN10C-32S-2.54DS(72) | CL0583-0202-3-72 | 32 | 58.34 | 44.36 | 38.10 | 53.34 | | 22pcs per tray |
| PCN10C-44S-2.54DS(72) | CL0583-0052-2-72 | 44 | 73.58 | 59.60 | 53.34 | 68.58 | | 11pcs per tray |
| PCN10C-50S-2.54DS(72) | CL0583-0168-7-72 | 50 | 81.20 | 67.22 | 60.96 | 76.20 | | |
| PCN10C-64S-2.54DS(72) | CL0583-0203-6-72 | 64 | 98.98 | 85.00 | 78.74 | 93.98 | | |
| PCN10C-90S-2.54DS(72) | CL0583-0204-9-72 | 90 | 132.00 | 118.02 | 111.76 | 127.00 | | |
| PCN10C-100S-2.54DS(72) | CL0583-0178-0-72 | 100 | 144.70 | 130.72 | 124.46 | 139.70 | | |

Note : DIN standard type Q (Reverse type of type B) is PCN10B-64S-2.54DS(72).

Receptacle : 2-row Straight Type (DIN Standard Type B)



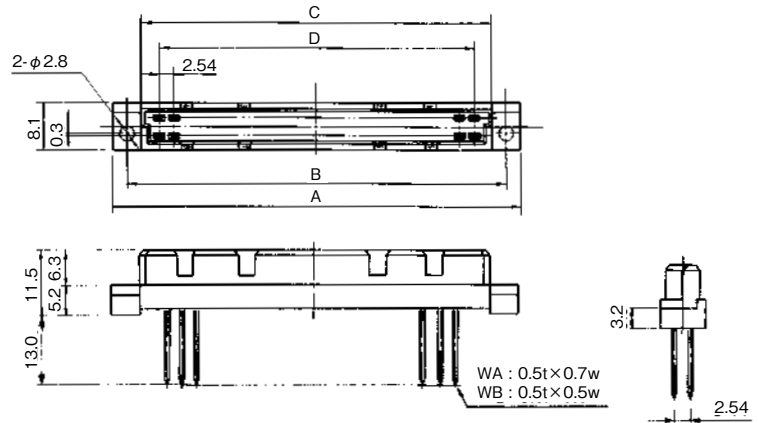
PCB Mounting Pattern



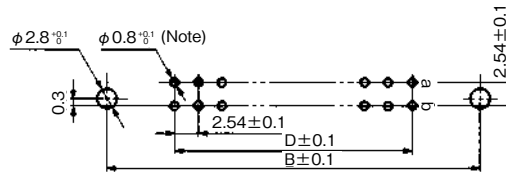
Unit : mm

| Part No. | HRS No. | No. of Pos. | A | B | C | D | RoHS | Purchase Unit |
|-----------------------|------------------|-------------|-------|-------|-------|-------|------|----------------|
| PCN10-32S-2.54DSA(72) | CL0583-0019-7-72 | 32 | 54.36 | 49.36 | 44.36 | 38.10 | Yes | 50pcs per tray |
| PCN10-50S-2.54DSA(72) | CL0583-0020-6-72 | 50 | 77.22 | 72.22 | 67.22 | 60.96 | | 30pcs per tray |
| PCN10-64S-2.54DSA(72) | CL0583-0021-9-72 | 64 | 95.00 | 90.00 | 85.00 | 78.74 | | |

Receptacle : 2-row Wrapping Type (DIN Standard Type B)



PCB Mounting Pattern

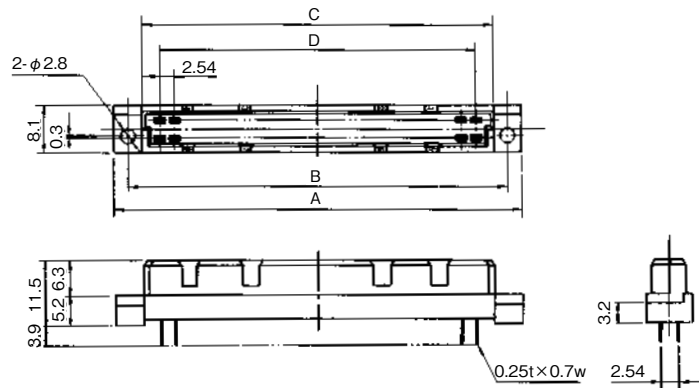
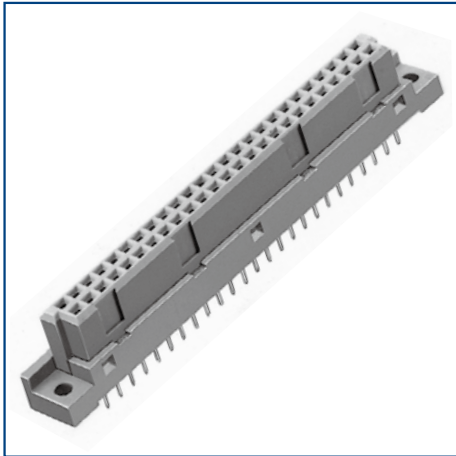


Note : WA type is $\phi 1.0^{+0.1}$

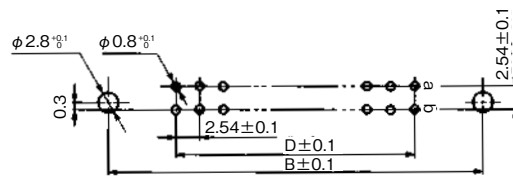
Unit : mm

| Part No. | HRS No. | No. of Pos. | A | B | C | D | RoHS | Purchase Unit |
|----------------------|------------------|-------------|-------|-------|-------|-------|------|----------------|
| PCN10-32S-2.54WA(72) | CL0583-0107-2-72 | 32 | 54.36 | 49.36 | 44.36 | 38.10 | Yes | 26pcs per tray |
| PCN10-50S-2.54WB(72) | CL0583-0068-2-72 | 50 | 77.22 | 72.22 | 67.22 | 60.96 | | |
| PCN10-64S-2.54WA(72) | CL0583-0109-8-72 | 64 | 95.00 | 90.00 | 85.00 | 78.74 | | |

Receptacle : 2-row Straight Type (DIN Standard Type B)



PCB Mounting Pattern

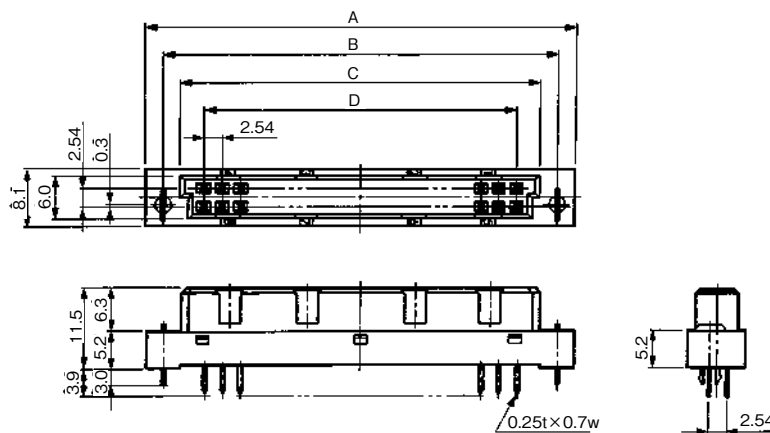
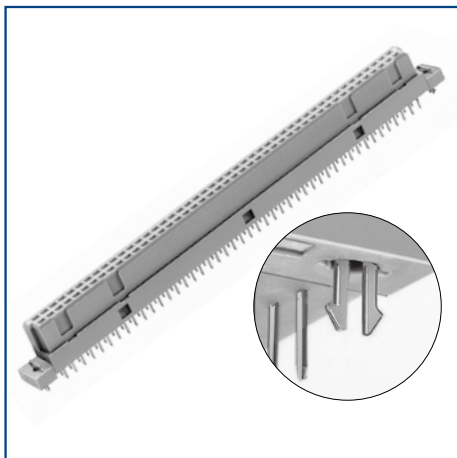


Unit : mm

| Part No. | HRS No. | No. of Pos. | A | B | C | D | RoHS | Purchase Unit |
|-------------------------|------------------|-------------|--------|--------|--------|--------|------|----------------|
| PCN10C-16S-2.54DSA(52) | CL0583-0226-1-52 | 16 | 34.04 | 29.04 | 24.04 | 17.78 | Yes | 80pcs per tray |
| PCN10C-20S-2.54DSA(52) | CL0583-0079-9-52 | 20 | 39.12 | 34.12 | 29.12 | 22.86 | | 70pcs per tray |
| PCN10C-32S-2.54DSA(52) | CL0583-0033-8-52 | 32 | 54.36 | 49.36 | 44.36 | 38.10 | | 50pcs per tray |
| PCN10C-44S-2.54DSA(52) | CL0583-0034-0-52 | 44 | 69.60 | 64.60 | 59.60 | 53.34 | | 40pcs per tray |
| PCN10C-50S-2.54DSA(52) | CL0583-0035-3-52 | 50 | 77.22 | 72.22 | 67.22 | 60.96 | | 30pcs per tray |
| PCN10C-64S-2.54DSA(52) | CL0583-0036-6-52 | 64 | 95.00 | 90.00 | 85.00 | 78.74 | | 20pcs per tray |
| PCN10C-90S-2.54DSA(52) | CL0583-0037-9-52 | 90 | 128.02 | 123.02 | 118.02 | 111.76 | | |
| PCN10C-100S-2.54DSA(52) | CL0583-0112-2-52 | 100 | 140.72 | 135.72 | 130.72 | 124.46 | | |

Receptacle : 2-row Straight Type (DIN Standard Type B)

- With Lock Pin for Temporary Board Installation

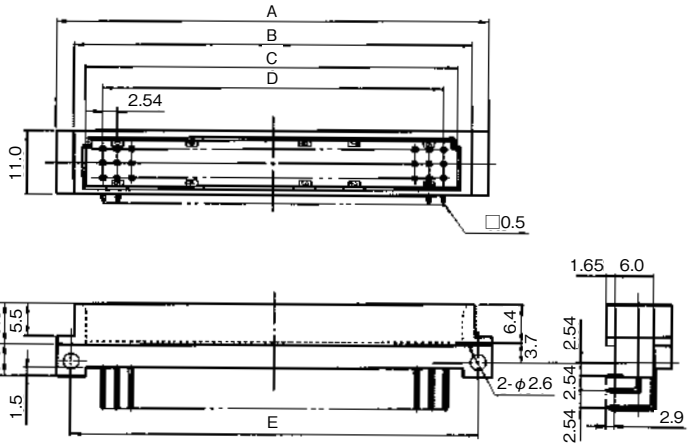


- The PCB mounting pattern is equivalent to PCN10-#S-2.54DSA(72) and PCN10C-#S-2.54DSA(52).

Unit : mm

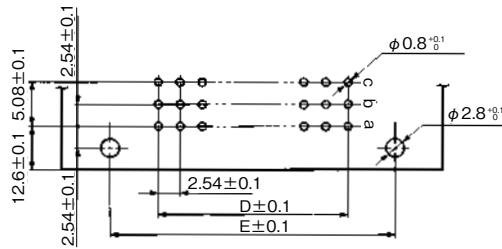
| Part No. | HRS No. | No. of Pos. | A | B | C | D | RoHS | Purchase Unit |
|--------------------------|------------------|-------------|--------|--------|--------|--------|------|----------------|
| PCN10EA-20S-2.54DSA(52) | CL0583-0188-4-52 | 20 | 39.12 | 34.12 | 29.12 | 22.86 | Yes | 70pcs per tray |
| PCN10EA-32S-2.54DSA(52) | CL0583-0189-7-52 | 32 | 54.36 | 49.36 | 44.36 | 38.10 | | 50pcs per tray |
| PCN10EA-44S-2.54DSA(52) | CL0583-0190-6-52 | 44 | 69.60 | 64.60 | 59.60 | 53.34 | | 40pcs per tray |
| PCN10EA-50S-2.54DSA(52) | CL0583-0191-9-52 | 50 | 77.22 | 72.22 | 67.22 | 60.96 | | 30pcs per tray |
| PCN10EA-64S-2.54DSA(52) | CL0583-0192-1-52 | 64 | 95.00 | 90.00 | 85.00 | 78.74 | | 20pcs per tray |
| PCN10EA-90S-2.54DSA(52) | CL0583-0193-4-52 | 90 | 128.02 | 123.02 | 118.02 | 111.76 | | |
| PCN10EA-100S-2.54DSA(52) | CL0583-0194-7-52 | 100 | 140.72 | 135.72 | 130.72 | 124.46 | | |

Pin Header : 3-row Right Angle Type (DIN Standard Type C)



The 48pos. variation has guide key grooves in 8 locations.

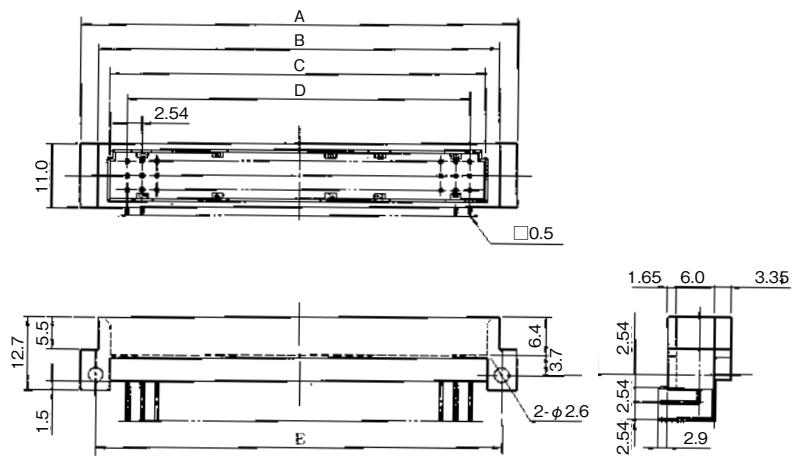
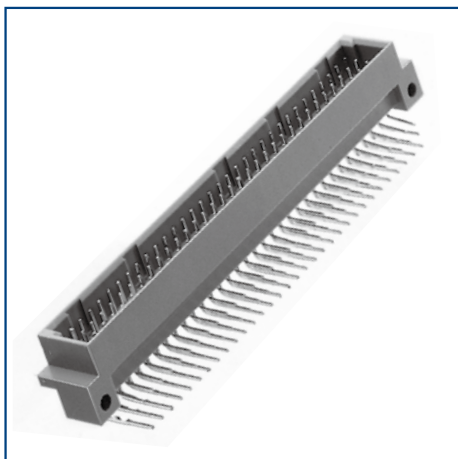
PCB Mounting Pattern



Unit : mm

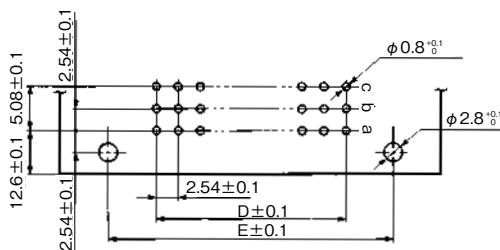
| Part No. | HRS No. | No. of Pos. | A | B | C | D | E | RoHS | Purchase Unit |
|-----------------------|------------------|-------------|-------|-------|-------|-------|-------|------|----------------|
| PCN10-48P-2.54DS (72) | CL0583-0063-9-72 | 48 | 53.36 | 47.36 | 44.61 | 38.10 | 48.26 | Yes | 48pcs per tray |
| PCN10-96P-2.54DS (72) | CL0583-0001-1-72 | 96 | 94.00 | 88.00 | 85.25 | 78.74 | 88.90 | | 24pcs per tray |

Pin Header : 3-row Right Angle Type



The 48pos. variation has guide key grooves in 8 locations.

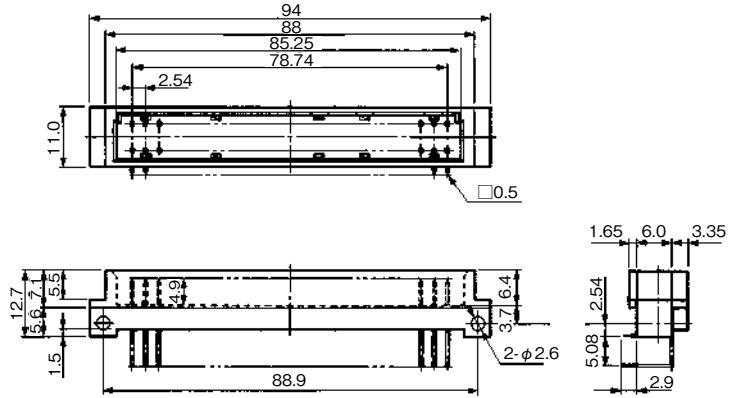
PCB Mounting Pattern



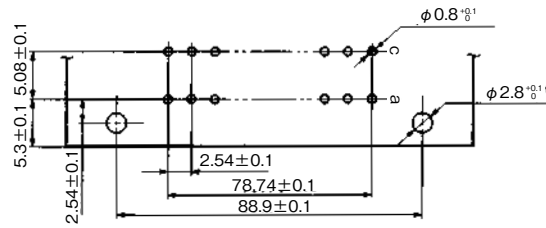
Unit : mm

| Part No. | HRS No. | No. of Pos. | A | B | C | D | E | RoHS | Purchase Unit |
|-----------------------|------------------|-------------|-------|-------|-------|-------|-------|------|----------------|
| PCN10A-48P-2.54DS(72) | CL0583-0064-1-72 | 48 | 53.36 | 47.36 | 44.61 | 38.10 | 48.26 | Yes | 48pcs per tray |
| PCN10A-96P-2.54DS(72) | CL0583-0006-5-72 | 96 | 94.00 | 88.00 | 85.25 | 78.74 | 88.90 | | 24pcs per tray |

Pin Header : Right Angle Type



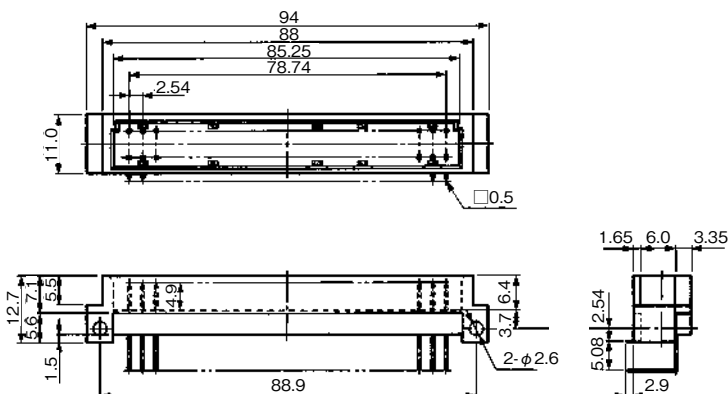
PCB Mounting Pattern



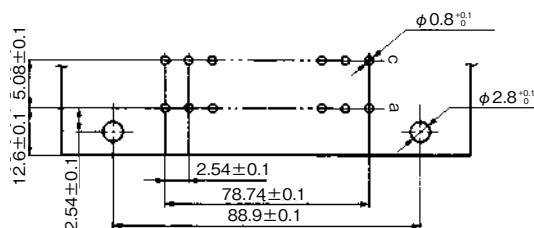
Unit : mm

| Part No. | HRS No. | No. of Pos. | RoHS | Purchase Unit |
|------------------------|------------------|-------------|------|----------------|
| PCN10-64ACP-2.54DS(72) | CL0583-0046-0-72 | 64 | Yes | 24pcs per tray |

Pin Header : Right Angle Type



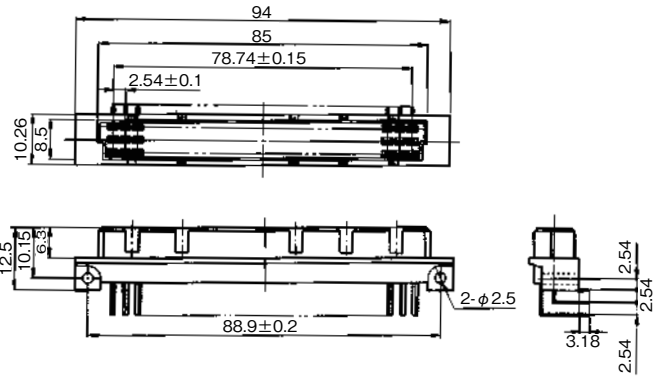
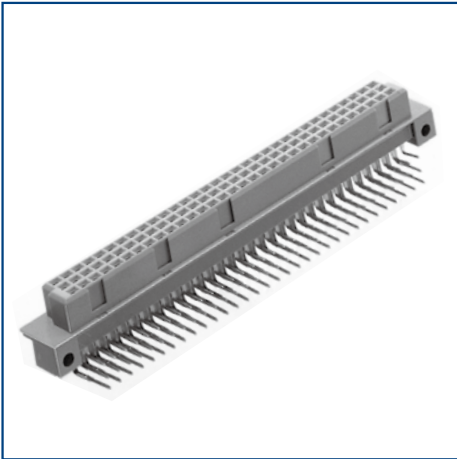
PCB Mounting Pattern



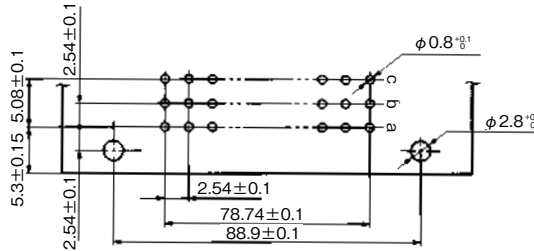
Unit : mm

| Part No. | HRS No. | No. of Pos. | RoHS | Purchase Unit |
|-------------------------|------------------|-------------|------|----------------|
| PCN10A-64ACP-2.54DS(72) | CL0583-0032-5-72 | 64 | Yes | 24pcs per tray |

Receptacle : 3-row Right Angle Type



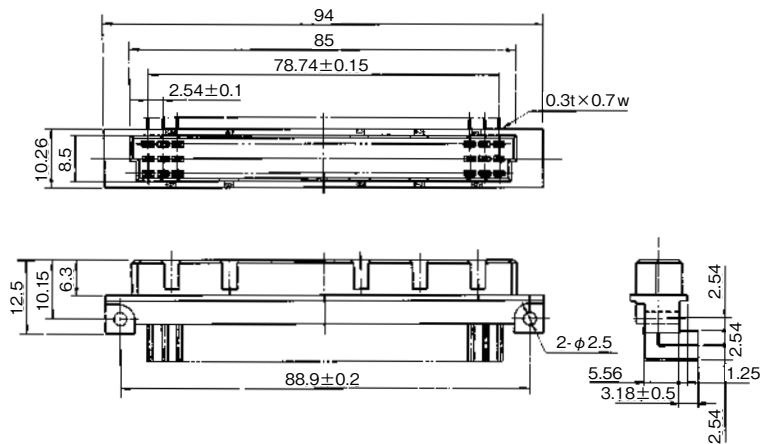
PCB Mounting Pattern



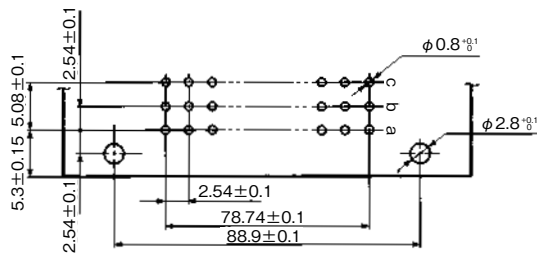
Unit : mm

| Part No. | HRS No. | No. of Pos. | RoHS | Purchase Unit |
|-----------------------|------------------|-------------|------|----------------|
| PCN10A-96S-2.54DS(72) | CL0583-0027-5-72 | 96 | Yes | 24pcs per tray |

Receptacle : 3-row Right Angle Type (DIN Standard Type R)



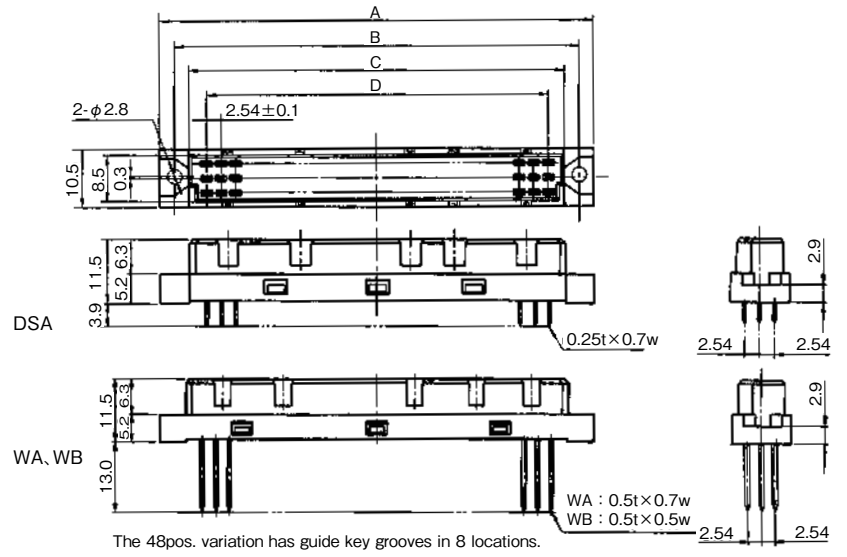
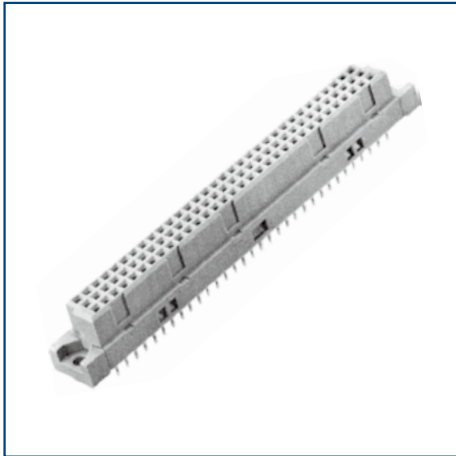
PCB Mounting Pattern



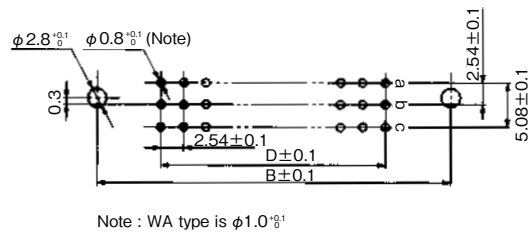
Unit : mm

| Part No. | HRS No. | No. of Pos. | RoHS | Purchase Unit |
|-----------------------|------------------|-------------|------|----------------|
| PCN10B-96S-2.54DS(72) | CL0583-0004-0-72 | 96 | Yes | 24pcs per tray |

Receptacle : 3-row Straight Type (DIN Standard Type C)



PCB Mounting Pattern

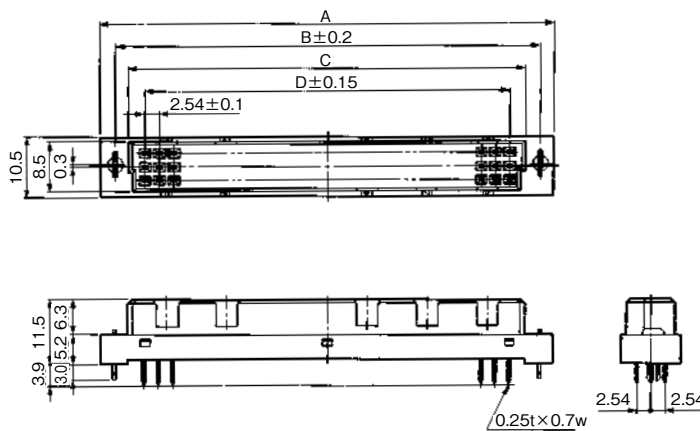
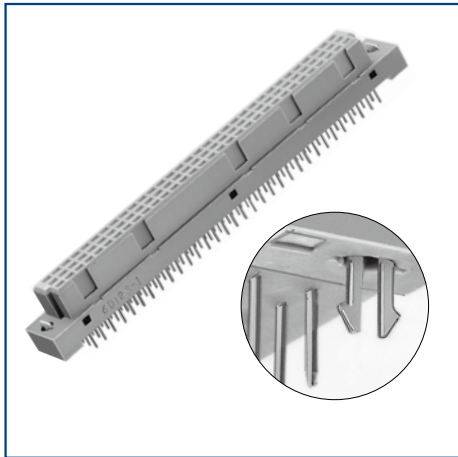


Unit : mm

| Part No. | HRS No. | No. of Pos. | A | B | C | D | RoHS | Purchase Unit |
|-----------------------|------------------|-------------|-------|-------|-------|-------|------|----------------|
| PCN10-48S-2.54DSA(72) | CL0583-0065-4-72 | 48 | 54.36 | 50.00 | 44.36 | 38.10 | Yes | 20pcs per tray |
| PCN10-96S-2.54DSA(72) | CL0583-0003-7-72 | 96 | 95.00 | 90.00 | 85.00 | 78.74 | | 15pcs per tray |
| PCN10-96S-2.54WA(72) | CL0583-0085-1-72 | 96 | 95.00 | 90.00 | 85.00 | 78.74 | | |
| PCN10-96S-2.54WB(72) | CL0583-0071-7-72 | 96 | 95.00 | 90.00 | 85.00 | 78.74 | | |

Receptacle : 3-row Straight Type (DIN Standard Type C)

- With Lock Pin for Temporary Board Installation

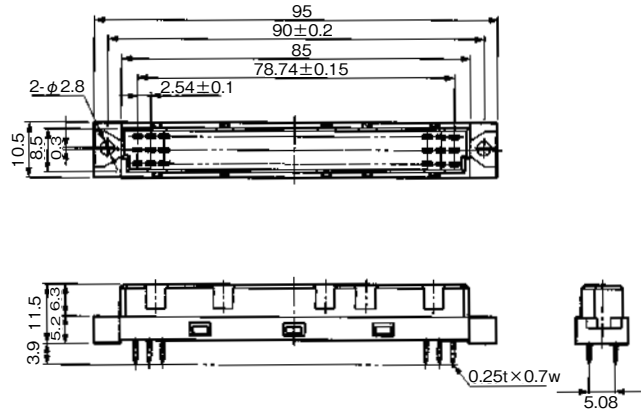
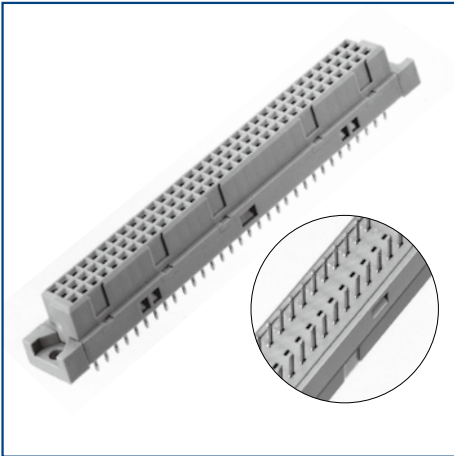


- The PCB mounting pattern is equivalent to PCN10-#S-2.54DSA(72).

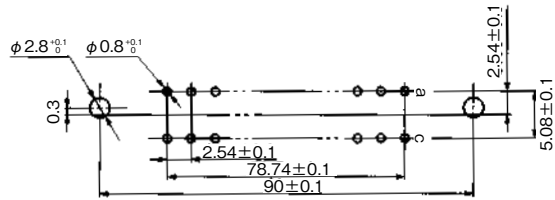
Unit : mm

| Part No. | HRS No. | No. of Pos. | A | B | C | D | RoHS | Purchase Unit |
|-------------------------|------------------|-------------|-------|-------|-------|-------|------|----------------|
| PCN10EA-48S-2.54DSA(72) | CL0583-0195-0-72 | 48 | 54.36 | 50.00 | 44.36 | 38.10 | Yes | 30pcs per tray |
| PCN10EA-96S-2.54DSA(72) | CL0583-0180-2-72 | 96 | 95.00 | 90.00 | 85.00 | 78.74 | | 15pcs per tray |

Receptacle : Straight Type



PCB Mounting Pattern

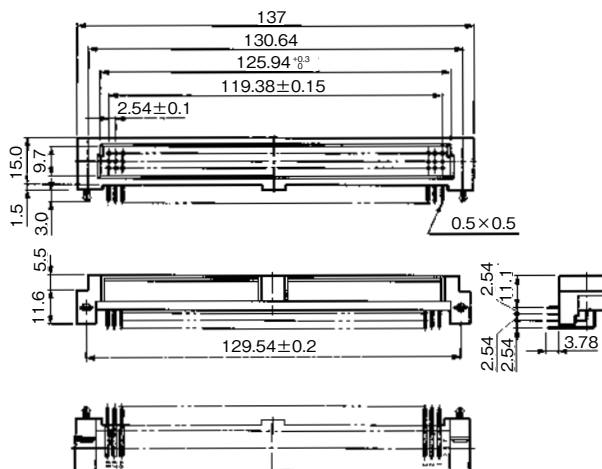


Unit : mm

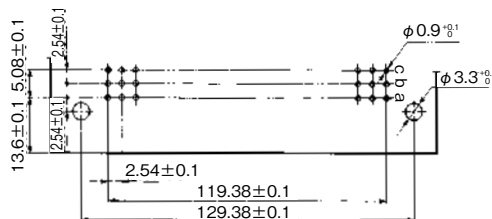
| Part No. | HRS No. | No. of Pos. | RoHS | Purchase Unit |
|-------------------------|------------------|-------------|------|----------------|
| PCN10-64ACS-2.54DSA(72) | CL0583-0044-4-72 | 64 | Yes | 15pcs per tray |

Pin Header : 3-row Right Angle Type 144pos.

- With Lock Pin for Temporary Board Installation



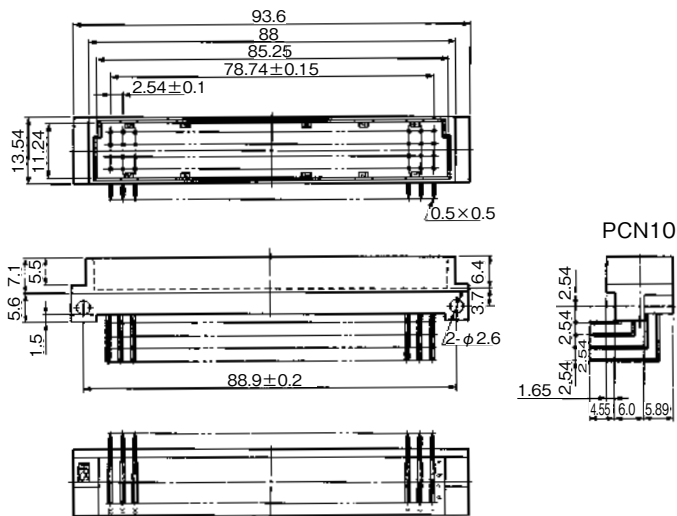
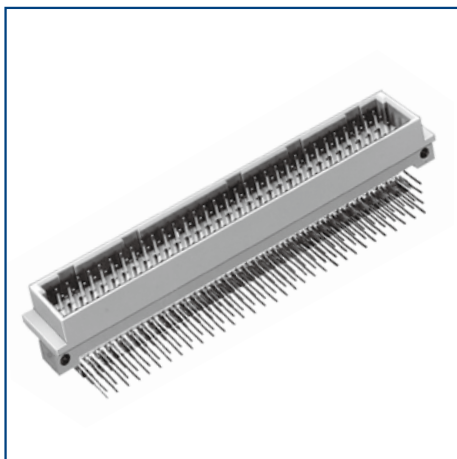
PCB Mounting Pattern



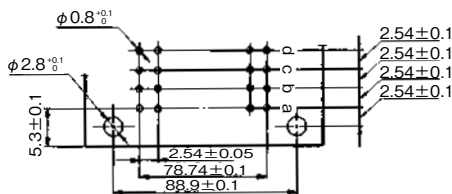
Unit : mm

| Part No. | HRS No. | No. of Pos. | RoHS | Purchase Unit |
|-------------------------|------------------|-------------|------|----------------|
| PCN10MA-144P-2.54DS(72) | CL0583-0131-7-72 | 144 | Yes | 20pcs per tray |

Pin Header : 4-row Right Angle Type



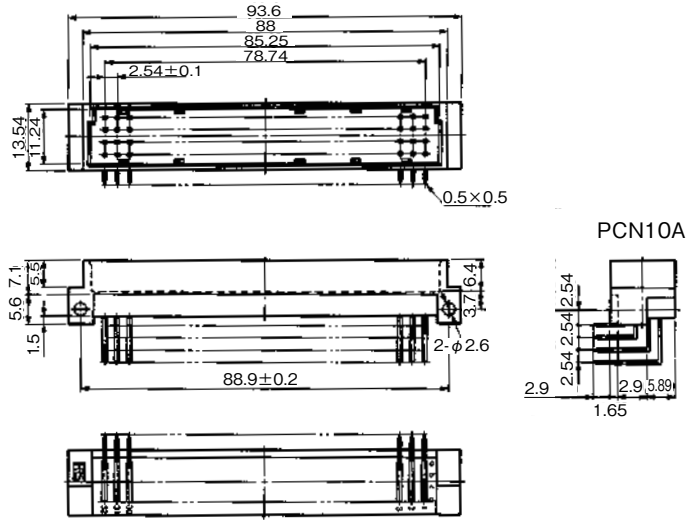
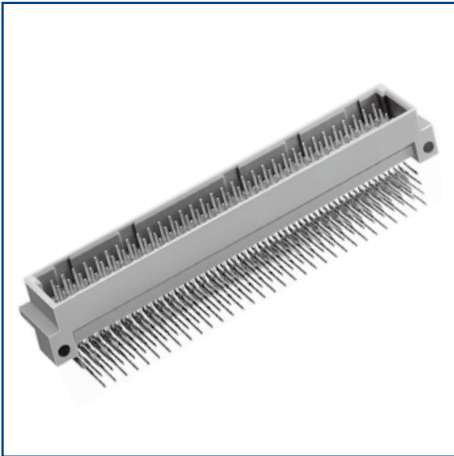
PCB Mounting Pattern



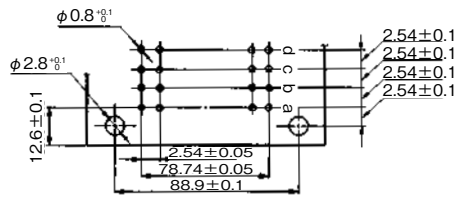
Unit : mm

| Part No. | HRS No. | No. of Pos. | RoHS | Purchase Unit |
|-----------------------|------------------|-------------|------|----------------|
| PCN10-128P-2.54DS(72) | CL0583-0087-7-72 | 128 | Yes | 12pcs per tray |

Pin Header : 4-row Right Angle Type



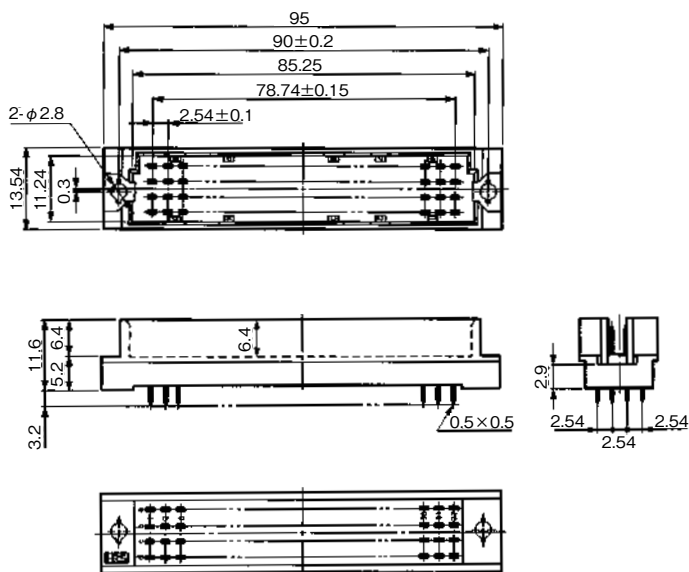
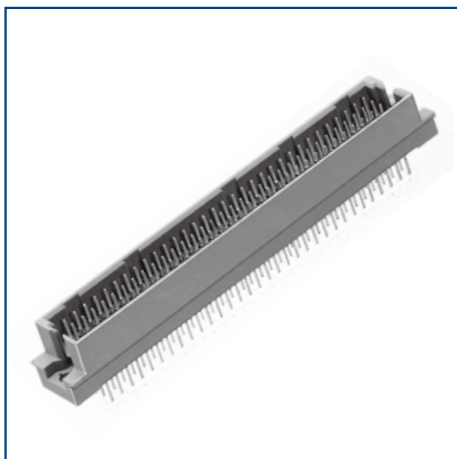
PCB Mounting Pattern



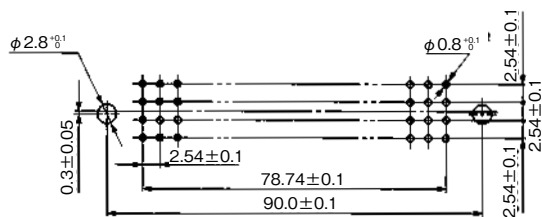
Unit : mm

| Part No. | HRS No. | No. of Pos. | RoHS | Purchase Unit |
|------------------------|------------------|-------------|------|----------------|
| PCN10A-128P-2.54DS(72) | CL0583-0088-0-72 | 128 | Yes | 12pcs per tray |

Pin Header : 4-row Straight Type



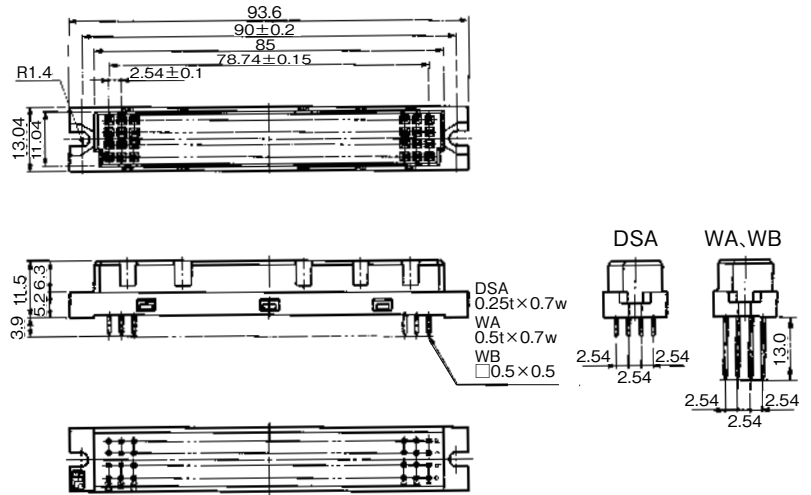
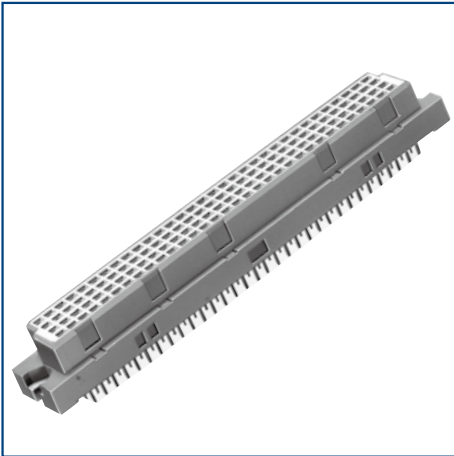
PCB Mounting Pattern



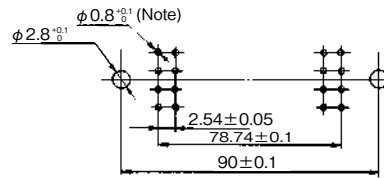
Unit : mm

| Part No. | HRS No. | No. of Pos. | RoHS | Purchase Unit |
|------------------------|------------------|-------------|------|----------------|
| PCN10-128P-2.54DSA(72) | CL0583-0215-5-72 | 128 | Yes | 15pcs per tray |

Receptacle : 4-row Straight Type



PCB Mounting Pattern

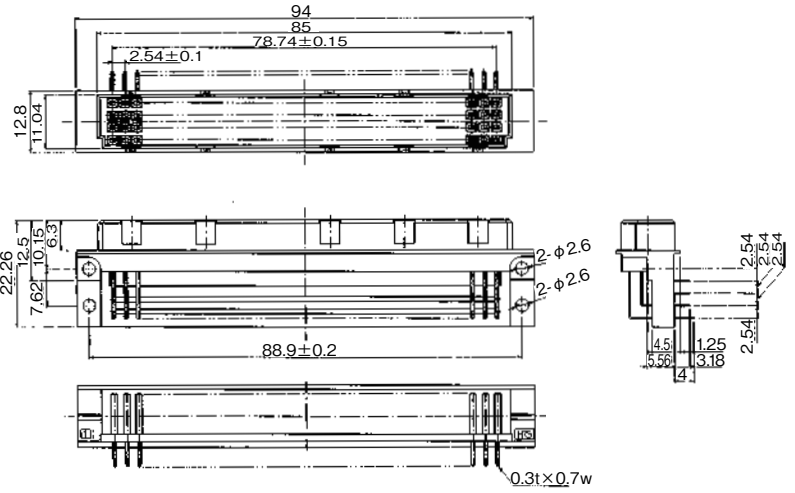
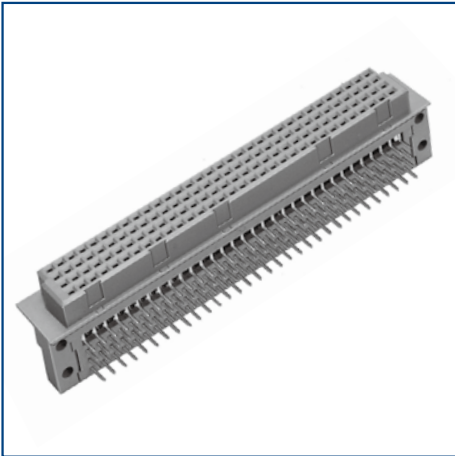


Note : WA is $\phi 1^{+0.1}$

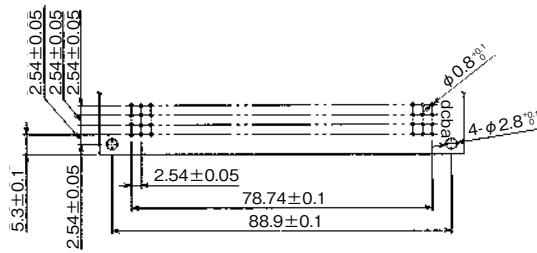
Unit : mm

| Part No. | HRS No. | No. of Pos. | RoHS | Purchase Unit |
|------------------------|------------------|-------------|------|----------------|
| PCN10-128S-2.54DSA(72) | CL0583-0089-2-72 | 128 | Yes | 12pcs per tray |
| PCN10-128S-2.54WA(72) | CL0583-0090-1-72 | 128 | | 16pcs per tray |
| PCN10-128S-2.54WB(72) | CL0583-0091-4-72 | 128 | | |

Receptacle : 4-row Right Angle Type



PCB Mounting Pattern



Unit : mm

| Part No. | HRS No. | No. of Pos. | RoHS | Purchase Unit |
|------------------------|------------------|-------------|------|----------------|
| PCN10B-128S-2.54DS(72) | CL0583-0333-1-72 | 128 | Yes | 12pcs per tray |

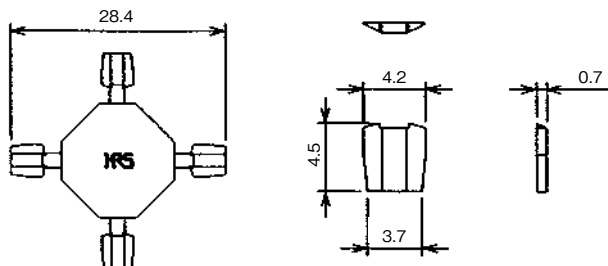
Polarity Key

Use of the polarity key prevents connector misinsertion.

Insert the polarity key into both the receptacle side and pin header side.

Insert the polarity key far enough so that it makes contact with the bottom of the mold.

PCN10-GK(A)

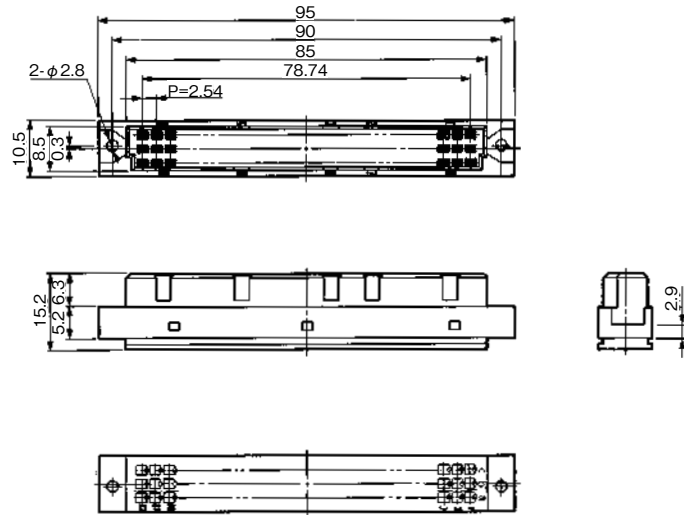


| Part No. | HRS No. | Material | Color | RoHS | Purchase Unit |
|-------------|------------------|----------|-------|------|--|
| PCN10-GK(A) | CL0583-0269-4-00 | PBT | Black | Yes | 100pcs per bag (The above diagram include 4 polarity keys.) |

Crimping Connector Compliant with DIN Standard

| Ratings | Crimping | | IDC |
|---------------|----------|------------|---------|
| Rated Current | 26 AWG | 28, 30 AWG | 1A |
| | 2A | 1A | |
| Rated Voltage | 300V AC | | 200V AC |

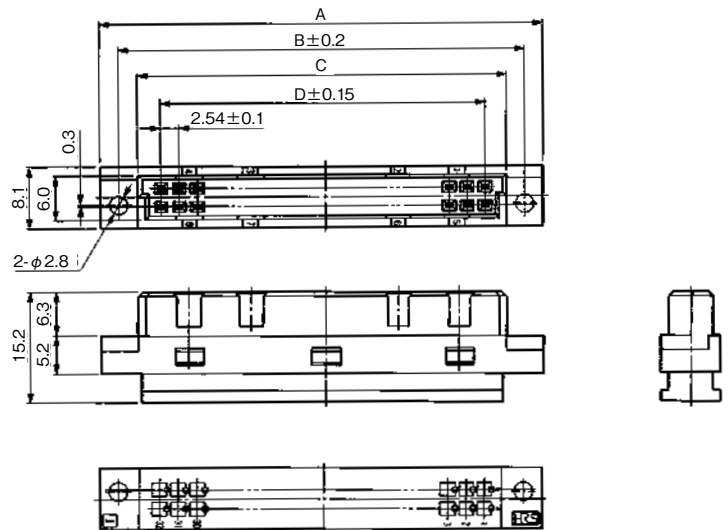
●3-row Type



Unit : mm

| Part No. | HRS No. | No. of Pos. | RoHS | Purchase Unit |
|-----------------|------------------|-------------|------|---------------|
| PCN10-96S-2.54C | CL0583-0100-3-00 | 96 | Yes | 10pcs per bag |

●2-row Type



Unit : mm

| Part No. | HRS No. | No. of Pos. | A | B | C | D | RoHS | Purchase Unit |
|-----------------|------------------|-------------|-------|-------|-------|-------|------|---------------|
| PCN10-20S-2.54C | CL0583-0241-5-00 | 20 | 39.12 | 34.12 | 29.12 | 22.86 | Yes | 10pcs per bag |
| PCN10-64S-2.54C | CL0583-0243-0-00 | 64 | 95.00 | 90.00 | 85.00 | 78.74 | | |

Applicable Crimping Tool

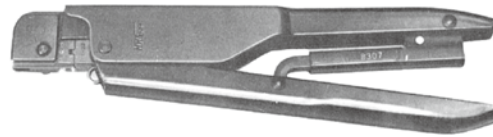
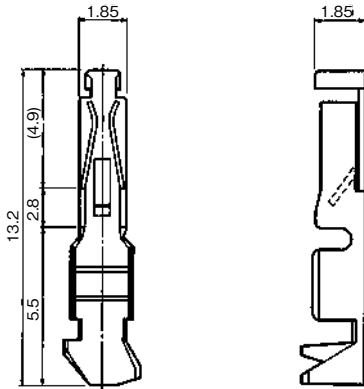
● Manual Crimping Tool

Crimp Contact

- PCN10-2630SC (Fully Gold Plated)
CL0583-0102-9-00 (RoHS Compliant)
【Purchase Unit】100pcs per bag
- PCN10-2226SC (Partially Gold Plated)
CL0583-0216-8-00 (RoHS Compliant)
【Purchase Unit】100pcs per bag

Crimping Tool

- PCN10-TA2630HC (PCN10-2630SC)
CL0550-0163-2-00
- PCN10-TA2226HC (PCN10-2226SC)
CL0550-0218-2-00



Applicable Cable

- PCN10-2630SC : 26-30 AWG
- PCN10-2226SC : 22-26 AWG

● Automatic Crimping Tool

| Item | Part Number | HRS.No. | Applicable Contact |
|-----------------------|-------------------|------------------|--------------------|
| Crimping Machine Body | CM-105C | CL0901-0001-0-00 | — |
| Applicator | AP105-PCN10-2226S | CL0901-3506-6-00 | PCN10-2226SCF |
| | AP105-PCN10-2630S | CL0901-3508-1-00 | PCN10-2630SCF |

● Contact Extraction Tool

| Part No. | HRS.No. |
|----------|------------------|
| PCN10-PO | CL0550-0282-1-00 |

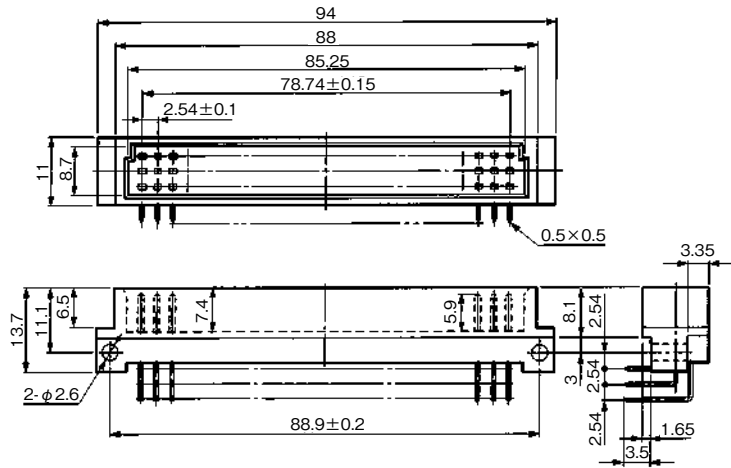
Circuit Protection Type

●Features

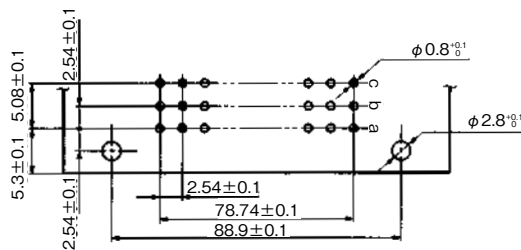
1. When mated, first the power supply (ground) is contacted followed by signal. When removed, the signal is disconnected followed by power supply (ground). This prevents the circuit from being affected if the board is removed or inserted when the power is on.

2. The exterior is black to distinguish it from the other PCN10 Series. (PCN10MC cannot be mated with other series.)

●Pin Header : 3-row Right Angle Type



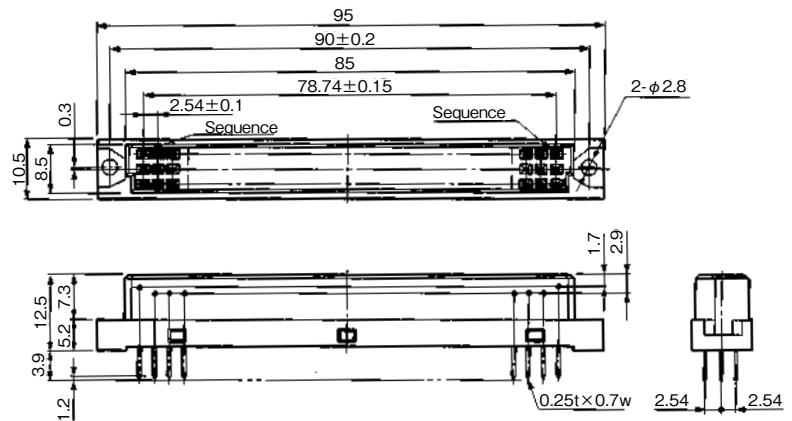
PCB Mounting Pattern



Unit : mm

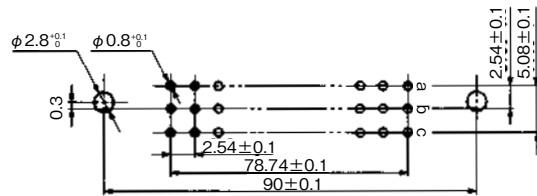
| Part No. | HRS No. | No. of Pos. | RoHS | Purchase Unit |
|------------------------|------------------|-------------|------|----------------|
| PCN10MC-96P-2.54DS(72) | CL0583-0120-0-72 | 96 | Yes | 24pcs per tray |

● Receptacle : 3-row Straight Type



The sequential contacts are No.1 and No.32 in row a.

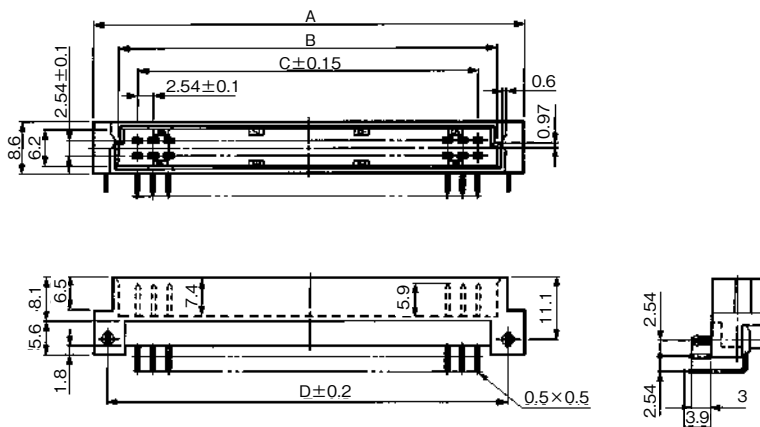
PCB Mounting Pattern



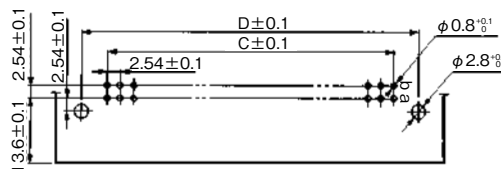
Unit : mm

| Part No. | HRS No. | No. of Pos. | RoHS | Purchase Unit |
|-------------------------|------------------|-------------|------|----------------|
| PCN10MC-96S-2.54DSA(72) | CL0583-0169-0-72 | 96 | Yes | 15pcs per tray |

● Pin Header : 2-row Right Angle Type



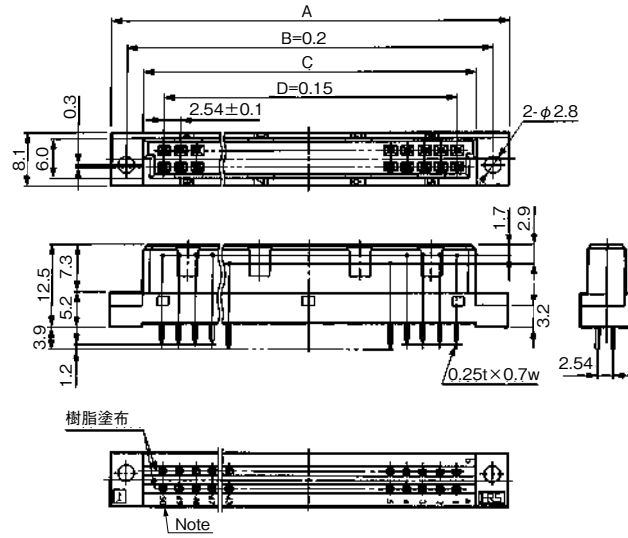
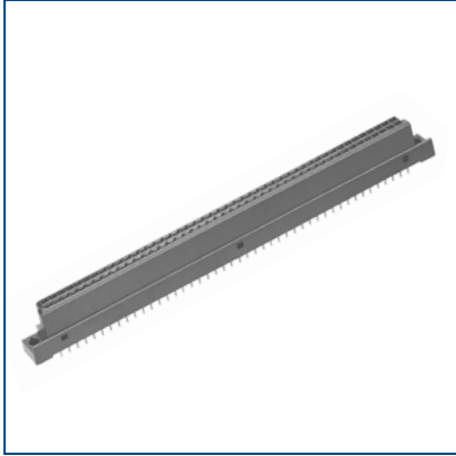
PCB Mounting Pattern



Unit : mm

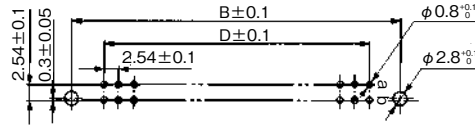
| Part No. | HRS No. | No. of Pos. | A | B | C | D | RoHS | Purchase Unit |
|-------------------------|------------------|-------------|--------|--------|--------|--------|------|----------------|
| PCN10MC-64P-2.54DS(72) | CL0583-0211-4-72 | 64 | 94.00 | 85.35 | 78.74 | 88.90 | Yes | 10pcs per tray |
| PCN10MC-100P-2.54DS(72) | CL0583-0212-7-72 | 100 | 139.72 | 131.07 | 124.46 | 134.62 | | |

● Receptacle : 2-row Straight Type



(64 contacts) : The sequential contacts are located at 22 points from contact No.1-4 and 26-32.
 (100 contacts) : The sequential contacts are located at 22 points from contact No.1-4 and 44-50.

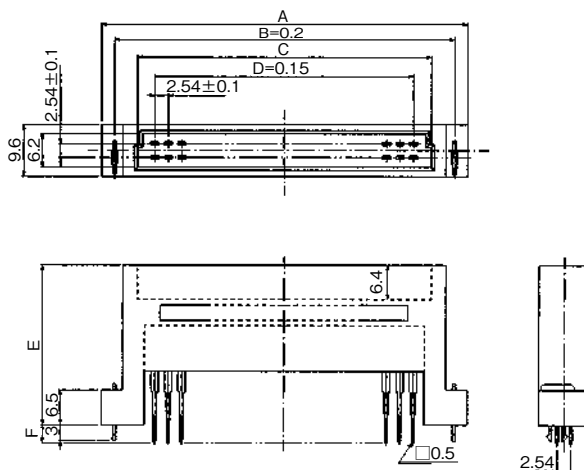
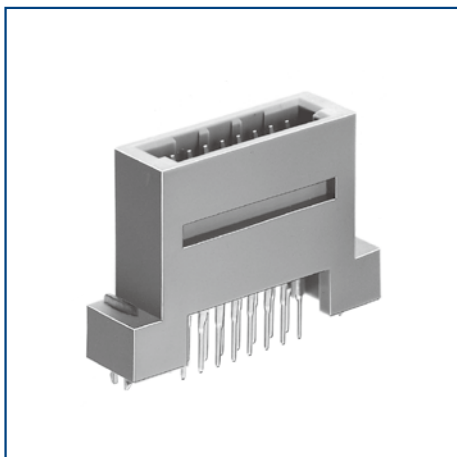
PCB Mounting Pattern



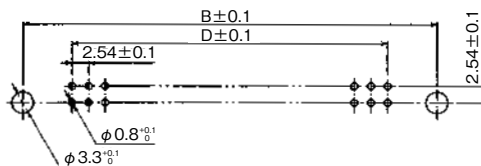
Unit : mm

| Part No. | HRS No. | No. of Pos. | A | B | C | D | RoHS | Purchase Unit |
|--------------------------|------------------|-------------|--------|--------|--------|--------|------|----------------|
| PCN10MC-64S-2.54DSA(72) | CL0583-0213-0-72 | 64 | 95.00 | 90.00 | 85.00 | 78.74 | Yes | 30pcs per tray |
| PCN10MC-100S-2.54DSA(72) | CL0583-0214-2-72 | 100 | 140.72 | 135.72 | 130.72 | 124.46 | | 20pcs per tray |

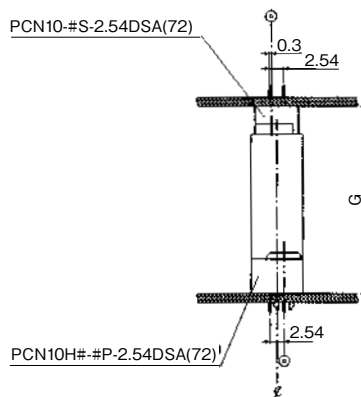
Stacking Pin Header



PCB Mounting Pattern



Application Pattern



Unit : mm

| Part No. | HRS No. | No. of Pos. | A | B | C | D | E | F | G | RoHS | Purchase Unit | | | | | |
|-------------------------|------------------|-------------|-------|-------|-------|-------|----------------|------|-------|------|----------------|-----|----------------|----------------|----------------|------|
| PCN10H-16P-2.54DSA(72) | CL0583-0227-4-72 | 16 | 37.92 | 33.02 | 24.39 | 17.78 | 29.80 | 3.44 | 35.00 | Yes | 20pcs per tray | | | | | |
| PCN10H-20P-2.54DSA(72) | CL0583-0157-0-72 | 20 | 43.00 | 38.10 | 29.47 | 22.86 | | | | | | | | | | |
| PCN10H-24P-2.54DSA(72) | CL0583-0425-8-72 | 24 | 48.08 | 43.18 | 34.55 | 27.94 | | | | | | | | | | |
| PCN10H-32P-2.54DSA(72) | CL0583-0161-8-72 | 32 | 58.24 | 53.34 | 44.71 | 38.10 | | | | | | | | | | |
| PCN10H-44P-2.54DSA(72) | CL0583-0164-6-72 | 44 | 73.48 | 68.58 | 59.95 | 53.34 | | | | | | | | | | |
| PCN10H-50P-2.54DSA(72) | CL0583-0401-0-72 | 50 | 81.10 | 76.20 | 67.57 | 60.96 | | | | | | | | | | |
| PCN10HA-16P-2.54DSA(72) | CL0583-0228-7-72 | 16 | 37.92 | 33.02 | 24.39 | 17.78 | 24.80 | 3.36 | 30.00 | | | Yes | 20pcs per tray | | | |
| PCN10HA-20P-2.54DSA(72) | CL0583-0158-3-72 | 20 | 43.00 | 38.10 | 29.47 | 22.86 | | | | | | | | | | |
| PCN10HA-24P-2.54DSA(72) | CL0583-0426-0-72 | 24 | 48.08 | 43.18 | 34.55 | 27.94 | | | | | | | | | | |
| PCN10HA-32P-2.54DSA(72) | CL0583-0162-0-72 | 32 | 58.24 | 53.34 | 44.71 | 38.10 | | | | | | | | | | |
| PCN10HA-44P-2.54DSA(72) | CL0583-0165-9-72 | 44 | 73.48 | 68.58 | 59.95 | 53.34 | | | | | | | | | | |
| PCN10HA-50P-2.54DSA(72) | CL0583-0402-2-72 | 50 | 81.10 | 76.20 | 67.57 | 60.96 | | | | | | | | | | |
| PCN10HB-16P-2.54DSA(72) | CL0583-0229-0-72 | 16 | 37.92 | 33.02 | 24.39 | 17.78 | 19.80 | 3.28 | 25.00 | | Yes | | | 20pcs per tray | | |
| PCN10HB-20P-2.54DSA(72) | CL0583-0159-6-72 | 20 | 43.00 | 38.10 | 29.47 | 22.86 | | | | | | | | | | |
| PCN10HB-32P-2.54DSA(72) | CL0583-0163-3-72 | 32 | 58.24 | 53.34 | 44.71 | 38.10 | | | | | | | | | | |
| PCN10HB-44P-2.54DSA(72) | CL0583-0166-1-72 | 44 | 73.48 | 68.58 | 59.95 | 53.34 | | | | | | | | | | |
| PCN10HB-50P-2.54DSA(72) | CL0583-0403-5-72 | 50 | 81.10 | 76.20 | 67.57 | 60.96 | | | | | | | | | | |
| PCN10HC-16P-2.54DSA(72) | CL0583-0397-4-72 | 16 | 37.92 | 33.02 | 24.39 | 17.78 | | | | | | | | | 39.80 | 3.30 |
| PCN10HC-44P-2.54DSA(72) | CL0583-0399-0-72 | 44 | 73.48 | 68.58 | 59.95 | 53.34 | 20pcs per tray | | | | | | | | | |
| PCN10HC-50P-2.54DSA(72) | CL0583-0404-8-72 | 50 | 81.10 | 76.20 | 67.57 | 60.96 | 16pcs per tray | | | | | | | | | |
| PCN10HD-16P-2.54DSA(72) | CL0583-0398-7-72 | 16 | 37.92 | 33.02 | 24.39 | 17.78 | 34.80 | 4.42 | 40.00 | | | | Yes | | 20pcs per tray | |
| PCN10HD-24P-2.54DSA(72) | CL0583-0429-9-72 | 24 | 48.08 | 43.18 | 34.55 | 27.94 | | | | | | | | | | |
| PCN10HD-44P-2.54DSA(72) | CL0583-0400-7-72 | 44 | 73.48 | 68.58 | 59.95 | 53.34 | | | | | | | | | | |
| PCN10HD-50P-2.54DSA(72) | CL0583-0405-0-72 | 50 | 81.10 | 76.20 | 67.57 | 60.96 | | | | | | | | | | |

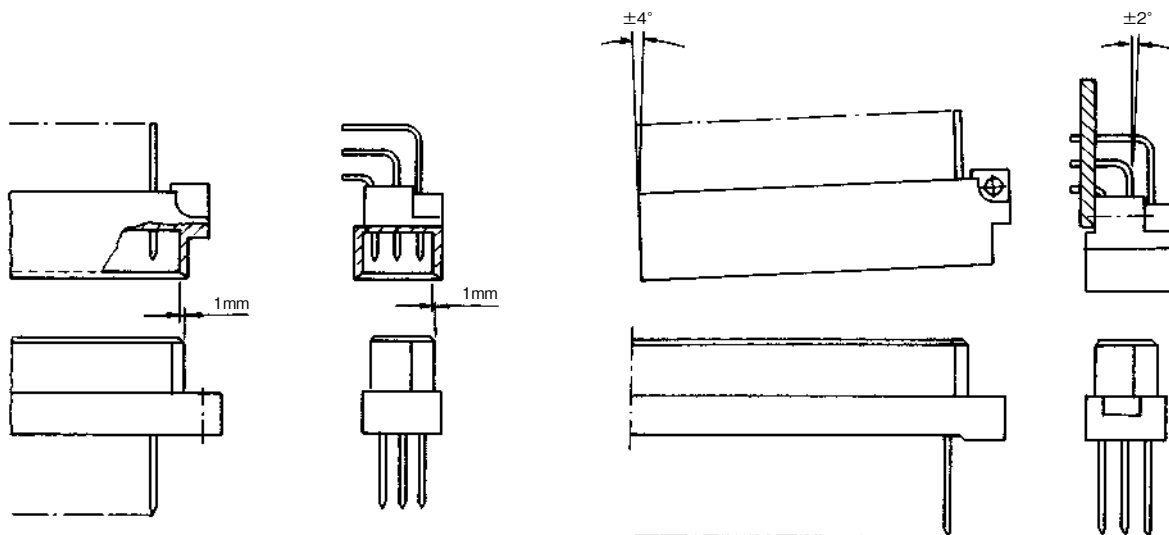
Note: Please note that the above series cannot mate with PCN10EA Series

Precautions

●DIN Connector Mating Conditions

Use Hirose DIN connectors within the following range.

The contacts of the PCN10 Series receptacle rattle slightly in order to stabilize the contact installation but this does not represent a performance issue.



While Taking in Consideration

Specifications mentioned in this catalog are reference values.

When considering to order or use this product, please confirm the Drawing and Product Specifications sheets.

Use an appropriate cable when using the connector in combination with cables.

If considering usage of a non-specified cable, please contact your sales representative.

If assembly process is done by jigs & tools which are not identified by Hirose, assurance will not be given.

If considering usage for below mentioned applications, please contact your sales representative.

In cases where the application will demand a high level of reliability, such as automotive, medical instruments, public infrastructure, aerospace/ defense etc. Hirose must review before assurance of reliability can be given.

PCN12 Series

IEC603-2 / DIN41612 Standard Compliant Products



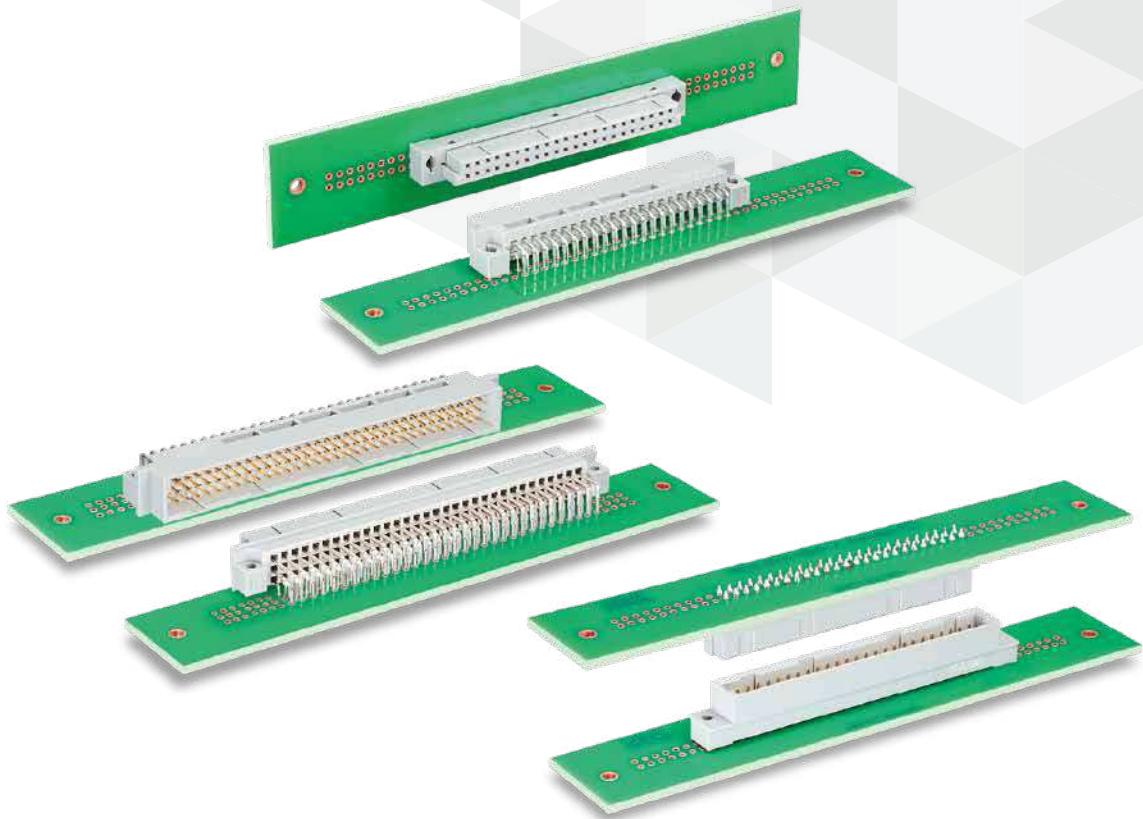
DIN Standard



P=2.54 mm



Wide Variation



Features

1. Complies with DIN Standard

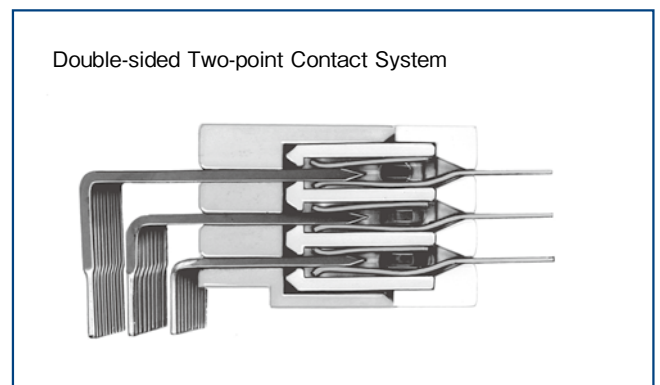
Complies with IEC603-2/DIN41612 standard.

2. Number of Positions

12 pin variations available : 10, 16, 20, 24, 28, 32, 44, 50, 64, 90, 96 and 100.

3. Two-point Contact Design

Highly reliable double-sided two point contacts.



Two-point Contact Design

4. Wide applications

DIN standard types of C is available.
The easy lock pin type for temporary board installation is available.

Applications

Computers, Control Equipment, Switches, Measuring Devices, etc.

Product Specifications

| | | | |
|---------------|---------|------------------------------------|--------------|
| Rated Current | 2A | Operating Temperature (Note 1) | -55 to +85°C |
| Rated Voltage | 300V AC | Operating Humidity Range | 85% Max. |
| | | Storage Temperature Range (Note 2) | -10 to +60°C |
| | | Storage Humidity Range (Note 2) | 40 to 70% |

| Item | Specification | Condition |
|---------------------------|---|---|
| Insulation Resistance | 10 ⁶ MΩ Min. | Measured at 100V DC |
| Withstanding Voltage | No flashover or insulation breakdown. | 1000V AC for 1 min. (IDC, Crimp Type : 650V AC) |
| Contact Resistance | 20mΩ Max. | Measured at 0.1A |
| Vibration | No electrical discontinuity of 10 μs Min. | Frequency : 10 to 55 Hz, single amplitude of 0.75 mm, 2 hours in each of the 3 directions. |
| Humidity(Steady State) | Insulation resistance : 10 ⁶ MΩ Min. | 96 hours at temperature of 40 ± 2°C and humidity of 90% to 95% |
| Temperature Cycle | No damage, cracks, or parts looseness. | (-65°C : 30 minutes → 15 to 35°C : 5 minutes Max. → 125°C : 30 minutes → 15 to 35°C : 5 minutes Max.) 5 times |
| Mating Durability | Contact resistance : 20mΩ Max. | 500 times |
| Soldering Heat Resistance | No deformation of components affecting performance. | Manual soldering : 350°C for 3 seconds |

Note 1 : Includes temperature rise due to current flow.

Note 2 : The term "storage" refers to products stored for long period of time prior to mounting and use. The operating temperature and humidity range applies to the non-energized state after board mounting and temporary storage during transportation.

Material / Finish

| Component | | Material | Color/Finish | Remarks |
|-----------|------------|--------------|--|---------|
| Insulator | | PBT | Beige | UL94V-0 |
| Contact | Pin Header | Brass | Contact Area: Nickel Underplated+Gold Plated Remaining Areas: Nickel Underplated+Tin Plated | - |
| | Receptacle | Copper Alloy | | |

Product Number Structure

■ PCN12 Series (Pin Header)

PCN12 A - # P - 2.54 DS

① ② ③ ④ ⑤ ⑥

| | | | |
|-----------------|--|------------------|---|
| ① Series Name | PCN12 | ③ No. of Pos. | 2 row : 10,16,20,24,28,32,44,50,64,90,100 3 row : 96 |
| ② Configuration | Blank : DIN Standard Type C (96pos.) A : Original Type E · EA : With Lock Pin for Temporary Board Installation | ④ Connector Type | P : Pin Header |
| | | ⑤ Contact Pitch | 2.54mm |
| | | ⑥ Contact Type | DS : Right Angle Through Hole Type |

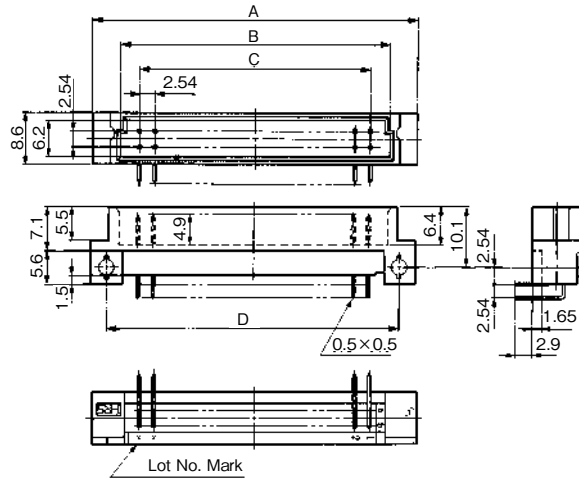
■ PCN12 Series (Receptacle)

PCN12 E - # S - 2.54 DSA

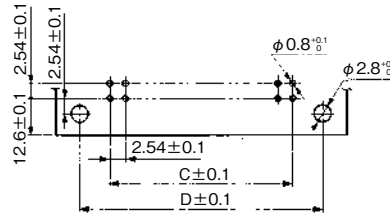
① ② ③ ④ ⑤ ⑥

| | | | |
|-----------------|---|------------------|---|
| ① Series Name | PCN12 | ③ No. of Pos. | 2 row : 10,16,20,24,28,32,44,50,64,90,100 3 row : 96 |
| ② Configuration | Blank : Standard Type E : With Lock Pin for Temporary Board Installation | ④ Connector Type | S : Receptacle |
| | | ⑤ Contact Pitch | 2.54mm |
| | | ⑥ Contact Type | DSA : Straight Through Hhole Type |

Pin Header : 2-row Right Angle Type



PCB Mounting Pattern

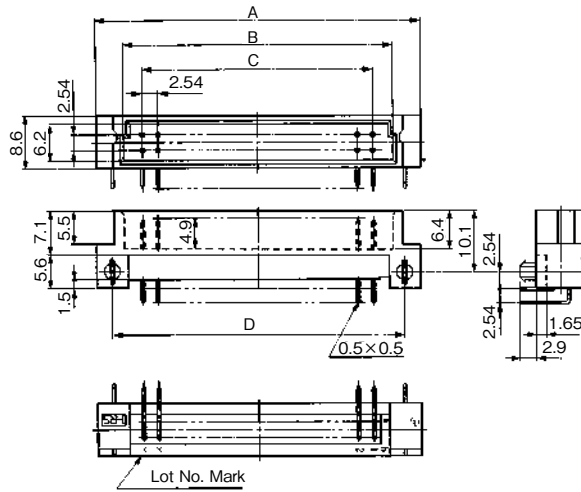
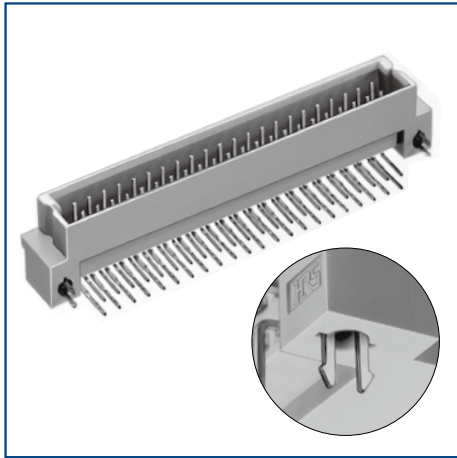


Unit : mm

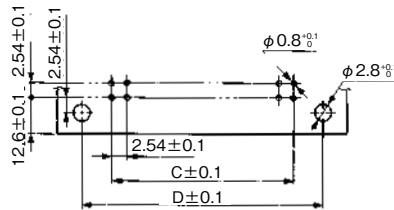
| Part No. | HRS No. | No. of Pos. | A | B | C | D | RoHS | Purchase Unit |
|-----------------------|------------------|-------------|-------|-------|-------|-------|------|----------------|
| PCN12A-10P-2.54DS(71) | CL0583-2010-3-71 | 10 | 25.42 | 16.77 | 10.16 | 20.32 | ○ | 60pcs per tray |
| PCN12A-20P-2.54DS(71) | CL0583-2012-9-71 | 20 | 38.12 | 29.47 | 22.86 | 33.02 | | 40pcs per tray |
| PCN12A-28P-2.54DS(71) | CL0583-2085-2-71 | 28 | 48.26 | 39.63 | 33.02 | 43.18 | | 30pcs per tray |
| PCN12A-32P-2.54DS(71) | CL0583-2013-1-71 | 32 | 53.36 | 44.71 | 38.10 | 48.26 | | 20pcs per tray |
| PCN12A-44P-2.54DS(71) | CL0583-2014-4-71 | 44 | 68.60 | 59.95 | 53.34 | 63.50 | | |
| PCN12A-50P-2.54DS(81) | CL0583-2015-7-81 | 50 | 76.22 | 67.57 | 60.96 | 71.12 | | 10pcs per tray |
| PCN12A-64P-2.54DS(71) | CL0583-2016-0-71 | 64 | 94.00 | 85.35 | 78.74 | 88.90 | | |

Pin Header : 2-row Right Angle Type

● With Lock Pin for Temporary Board Installation



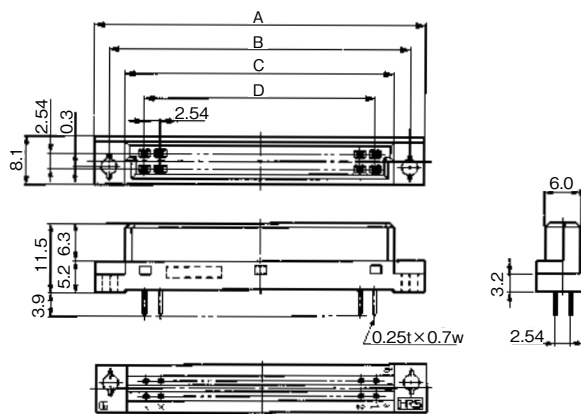
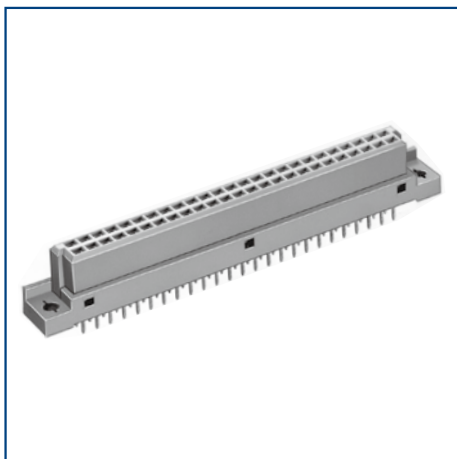
PCB Mounting Pattern



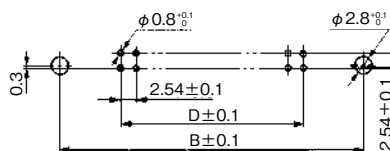
Unit : mm

| Part No. | HRS No. | No. of Pos. | A | B | C | D | RoHS | Purchase Unit |
|------------------------|------------------|-------------|--------|--------|--------|--------|------|----------------|
| PCN12EA-10P-2.54DS(71) | CL0583-2028-9-71 | 10 | 25.42 | 16.77 | 10.16 | 20.32 | ○ | 60pcs per tray |
| PCN12EA-16P-2.54DS(71) | CL0583-2029-1-71 | 16 | 33.04 | 24.39 | 17.78 | 27.94 | | 40pcs per tray |
| PCN12EA-20P-2.54DS(71) | CL0583-2030-0-71 | 20 | 38.12 | 29.47 | 22.86 | 33.02 | | 20pcs per tray |
| PCN12EA-32P-2.54DS(71) | CL0583-2031-3-71 | 32 | 53.36 | 44.71 | 38.10 | 48.26 | | |
| PCN12EA-44P-2.54DS(71) | CL0583-2032-6-71 | 44 | 68.60 | 59.95 | 53.34 | 63.50 | | 10pcs per tray |
| PCN12EA-50P-2.54DS(71) | CL0583-2033-9-71 | 50 | 76.22 | 67.57 | 60.96 | 71.12 | | |
| PCN12EA-64P-2.54DS(71) | CL0583-2034-1-71 | 64 | 94.00 | 85.35 | 78.74 | 88.90 | | |
| PCN12EA-90P-2.54DS(71) | CL0583-2035-4-71 | 90 | 127.02 | 118.37 | 111.76 | 121.92 | | |

Receptacle : Straight Type



PCB Mounting Pattern

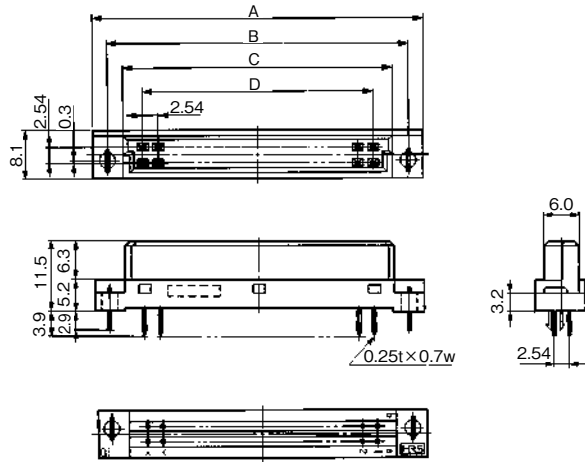
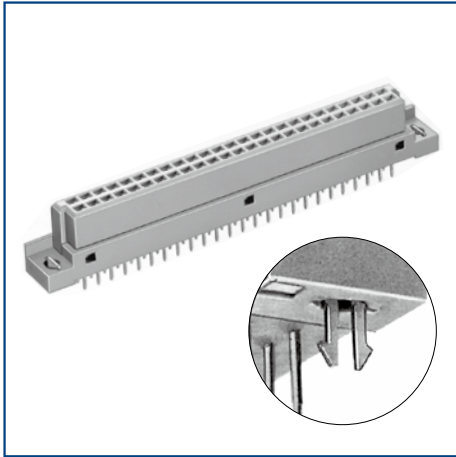


Unit : mm

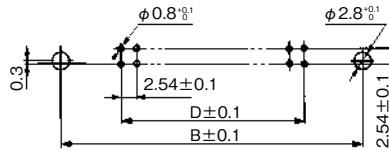
| Part No. | HRS No. | No. of Pos. | A | B | C | D | RoHS | Purchase Unit |
|------------------------|------------------|-------------|--------|--------|--------|--------|------|-----------------|
| PCN12-10S-2.54DSA(71) | CL0583-2055-1-71 | 10 | 26.42 | 21.42 | 16.42 | 10.16 | ○ | 110pcs per tray |
| PCN12-16S-2.54DSA(71) | CL0583-2056-4-71 | 16 | 34.04 | 29.04 | 24.04 | 17.78 | | 80pcs per tray |
| PCN12-20S-2.54DSA(71) | CL0583-2057-7-71 | 20 | 39.12 | 34.12 | 29.12 | 22.86 | | 70pcs per tray |
| PCN12-24S-2.54DSA(71) | CL0583-2106-0-71 | 24 | 44.20 | 39.20 | 34.20 | 27.94 | | 60pcs per tray |
| PCN12-28S-2.54DSA(71) | CL0583-2088-0-71 | 28 | 49.28 | 44.28 | 39.28 | 33.02 | | 50pcs per tray |
| PCN12-32S-2.54DSA(71) | CL0583-2058-0-71 | 32 | 54.36 | 49.36 | 44.36 | 38.10 | | 40pcs per tray |
| PCN12-44S-2.54DSA(71) | CL0583-2059-2-71 | 44 | 69.60 | 64.60 | 59.60 | 53.34 | | 30pcs per tray |
| PCN12-50S-2.54DSA(71) | CL0583-2060-1-71 | 50 | 77.22 | 72.22 | 67.22 | 60.96 | | 20pcs per tray |
| PCN12-64S-2.54DSA(71) | CL0583-2061-4-71 | 64 | 95.00 | 90.00 | 85.00 | 78.74 | | |
| PCN12-100S-2.54DSA(71) | CL0583-2063-0-71 | 100 | 140.72 | 135.72 | 130.72 | 124.46 | | |

Receptacle : Straight Type

● With Lock Pin for Temporary Board Installation



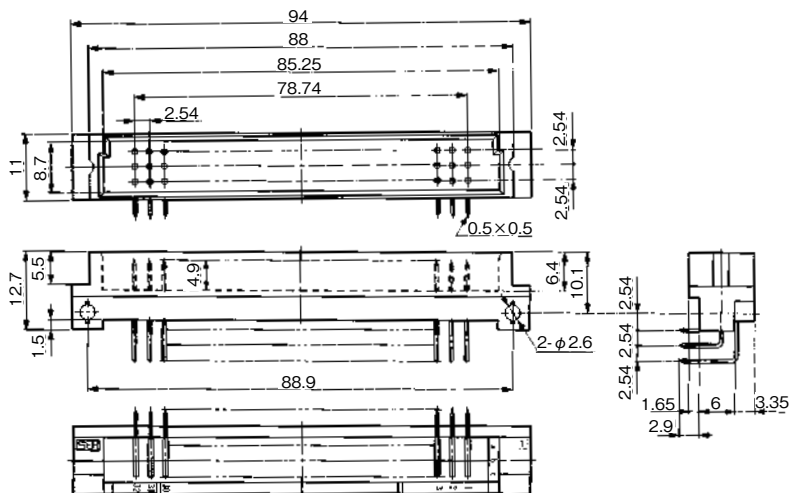
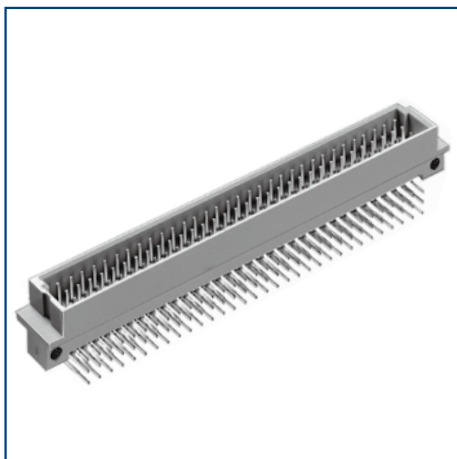
PCB Mounting Pattern



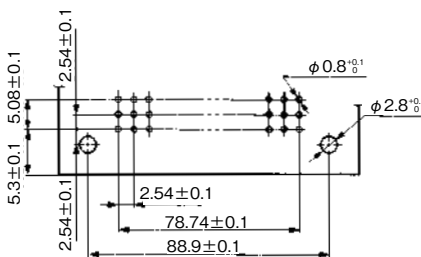
Unit : mm

| Part No. | HRS No. | No. of Pos. | A | B | C | D | RoHS | Purchase Unit |
|-------------------------|------------------|-------------|--------|--------|--------|--------|------|-----------------|
| PCN12E-10S-2.54DSA(71) | CL0583-2064-2-71 | 10 | 26.42 | 21.42 | 16.42 | 10.16 | ○ | 110pcs per tray |
| PCN12E-20S-2.54DSA(71) | CL0583-2066-8-71 | 20 | 39.12 | 34.12 | 29.12 | 22.86 | | 70pcs per tray |
| PCN12E-32S-2.54DSA(71) | CL0583-2067-0-71 | 32 | 54.36 | 49.36 | 44.36 | 38.10 | | 50pcs per tray |
| PCN12E-44S-2.54DSA(71) | CL0583-2068-3-71 | 44 | 69.60 | 64.60 | 59.60 | 53.34 | | 40pcs per tray |
| PCN12E-50S-2.54DSA(71) | CL0583-2069-6-71 | 50 | 77.22 | 72.22 | 67.22 | 60.96 | | 30pcs per tray |
| PCN12E-64S-2.54DSA(71) | CL0583-2070-5-71 | 64 | 95.00 | 90.00 | 85.00 | 78.74 | | 20pcs per tray |
| PCN12E-90S-2.54DSA(71) | CL0583-2071-8-71 | 90 | 128.02 | 123.02 | 118.02 | 111.76 | | |
| PCN12E-100S-2.54DSA(71) | CL0583-2072-0-71 | 100 | 140.72 | 135.72 | 130.72 | 124.46 | | |

Pin Header : 3-row Right Angle Type (DIN Standard Type C)



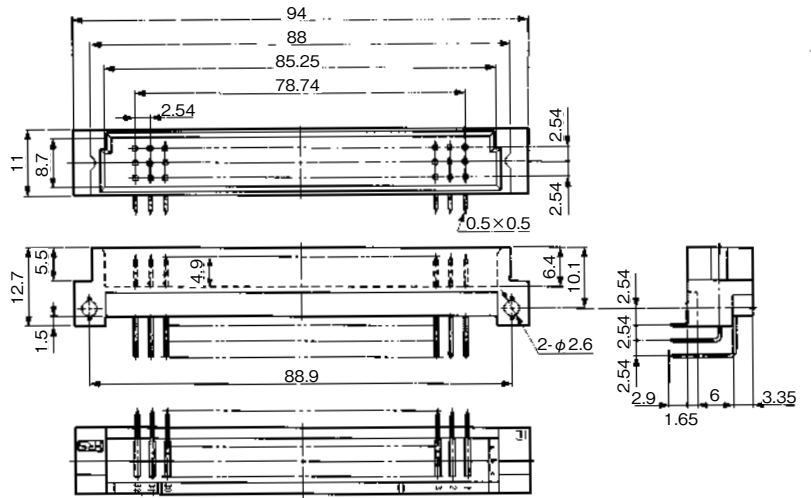
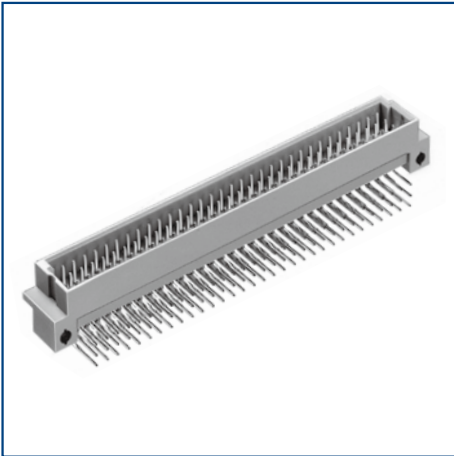
PCB Mounting Pattern



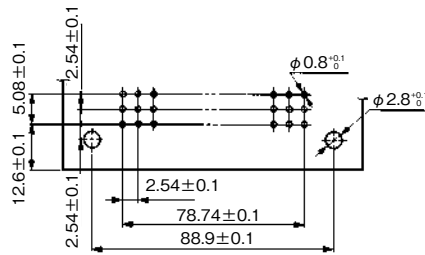
Unit : mm

| Part No. | HRS No. | No. of Pos. | RoHS | Purchase Unit |
|----------------------|------------------|-------------|------|----------------|
| PCN12-96P-2.54DS(71) | CL0583-2090-2-71 | 96 | ○ | 24pcs per tray |

Pin Header : 3-row Right Angle Type



PCB Mounting Pattern

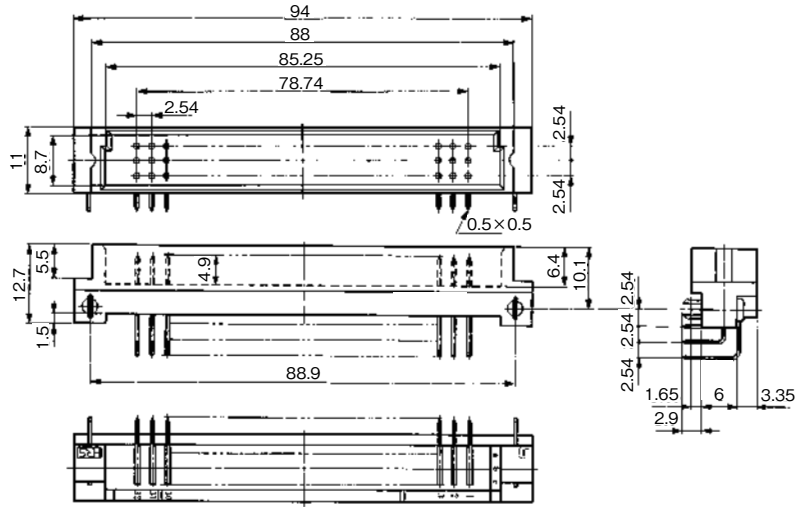
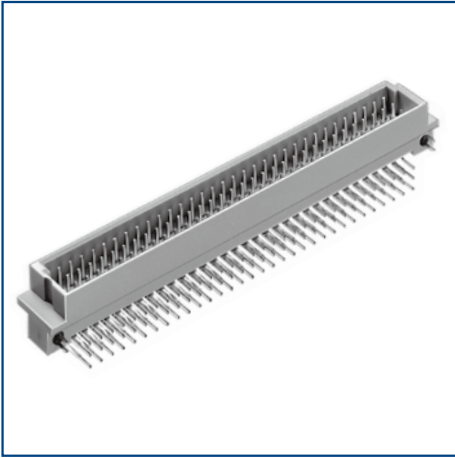


Unit : mm

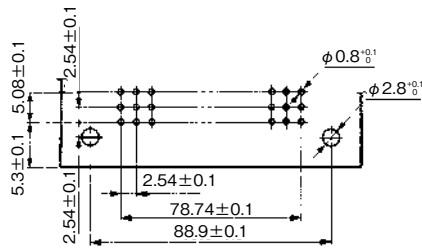
| Part No. | HRS No. | No. of Pos. | RoHS | Purchase Unit |
|------------------------|------------------|-------------|------|----------------|
| PCN12A-96P-2.54DS (71) | CL0583-2091-5-71 | 96 | ○ | 24pcs per tray |

Pin Header: 3-row Right Angle Type (Type C)

● With Lock Pin for Temporary Board Installation



PCB Mounting Pattern

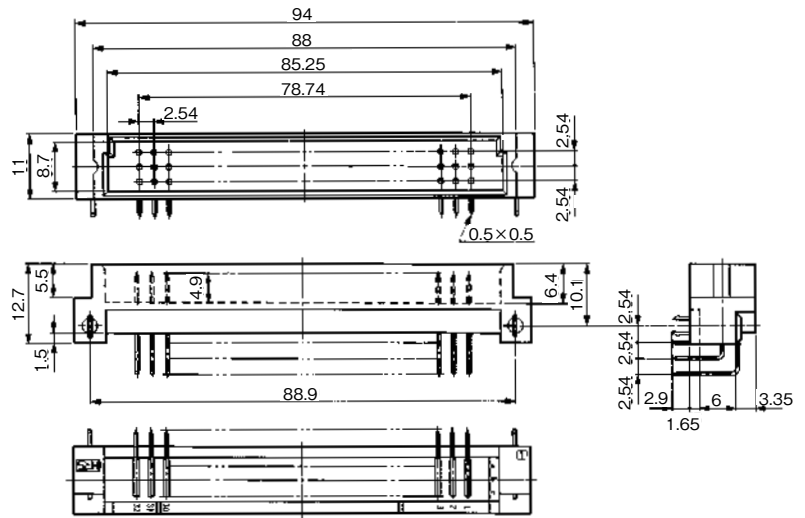
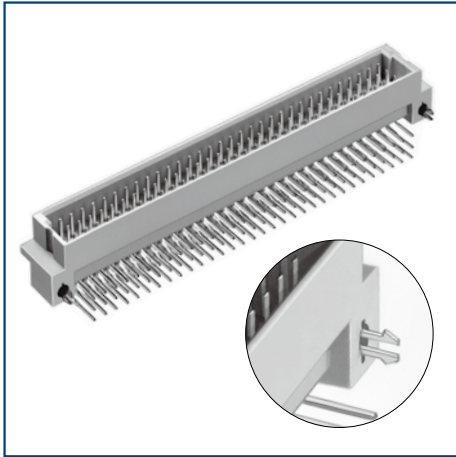


Unit : mm

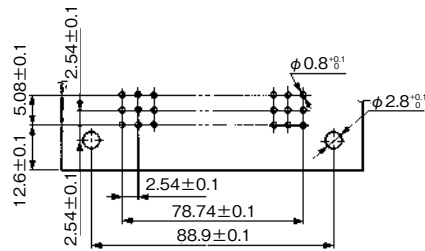
| Part No. | HRS No. | No. of Pos. | RoHS | Purchase Unit |
|-----------------------|------------------|-------------|------|----------------|
| PCN12E-96P-2.54DS(71) | CL0583-2092-8-71 | 96 | ○ | 24pcs per tray |

Pin Header : 3-row Right Angle Type

● With Lock Pin for Temporary Board Installation



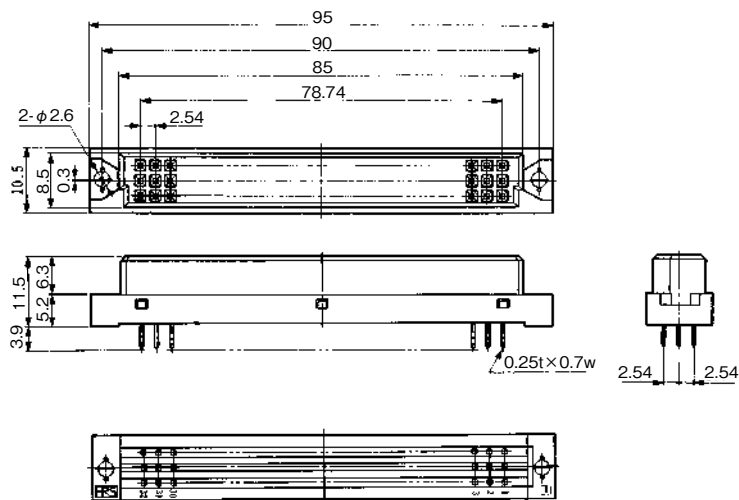
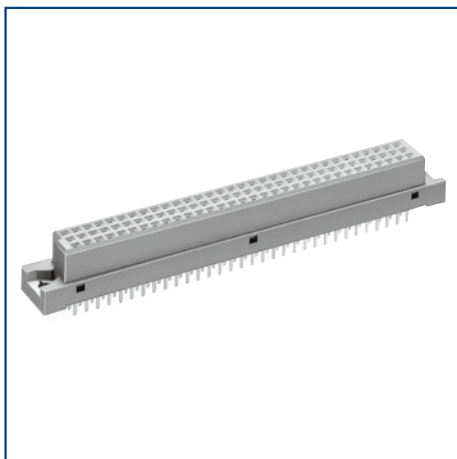
PCB Mounting Pattern



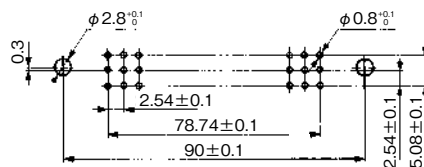
Unit : mm

| Part No. | HRS No. | No. of Pos. | RoHS | Purchase Unit |
|-------------------------|------------------|-------------|------|----------------|
| PCN12EA-96P-2.54DS (71) | CL0583-2093-0-71 | 96 | ○ | 24pcs per tray |

Receptacle : 3-row Straight Type



PCB Mounting Pattern

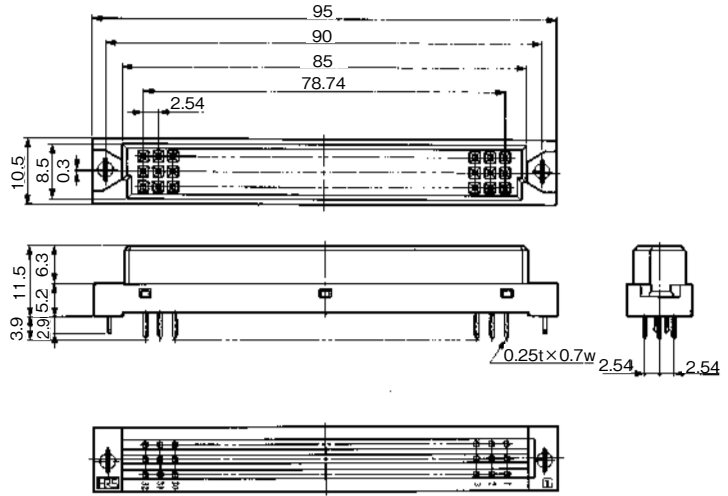
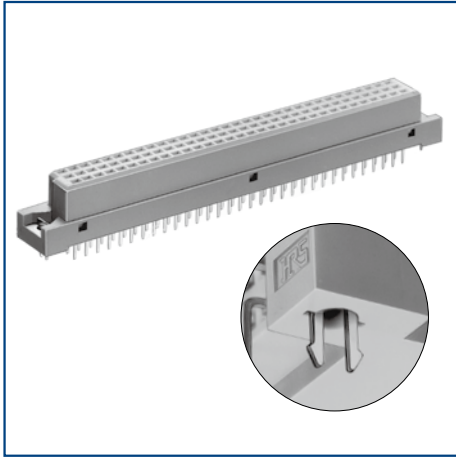


Unit : mm

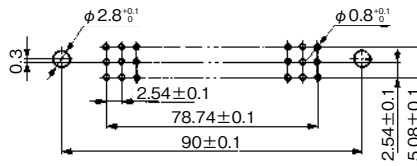
| Part No. | HRS No. | No. of Pos. | RoHS | Purchase Unit |
|------------------------|------------------|-------------|------|----------------|
| PCN12-96S-2.54DSA (71) | CL0583-2096-9-71 | 96 | ○ | 15pcs per tray |

Receptacle: 3-row Straight Type

● With Lock Pin for Temporary Board Installation



PCB Mounting Pattern



Unit : mm

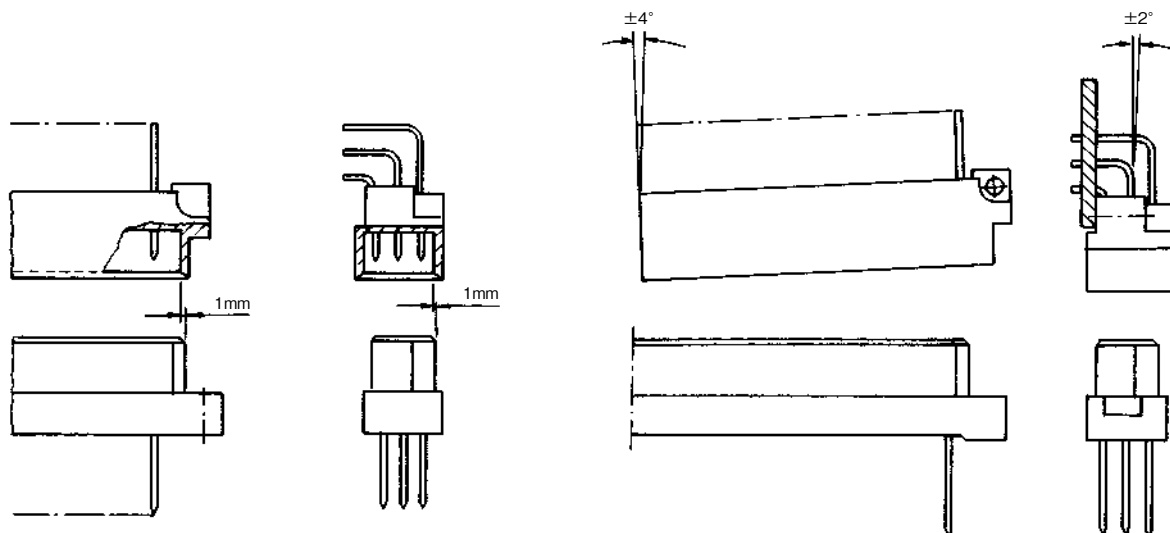
| Part No. | HRS No. | No. of Pos. | RoHS | Purchase Unit |
|-------------------------|------------------|-------------|------|----------------|
| PCN12E-96S-2.54DSA (71) | CL0583-2097-1-71 | 96 | ○ | 15pcs per tray |

Precautions

● DIN Connector Mating Conditions

Use Hirose DIN connectors within the following range.

The contacts of the PCN10 Series receptacle rattle slightly in order to stabilize the contact installation but this does not represent a performance issue.



While Taking in Consideration

Specifications mentioned in this catalog are reference values.

When considering to order or use this product, please confirm the Drawing and Product Specifications sheets.

Use an appropriate cable when using the connector in combination with cables.

If considering usage of a non-specified cable, please contact your sales representative.

If assembly process is done by jigs & tools which are not identified by Hirose, assurance will not be given.

If considering usage for below mentioned applications, please contact your sales representative.

In cases where the application will demand a high level of reliability, such as automotive, medical instruments, public infrastructure, aerospace/ defense etc. Hirose must review before assurance of reliability can be given.

PCN13 Series

IEC603-2 / DIN41612 Standard Compliant Products



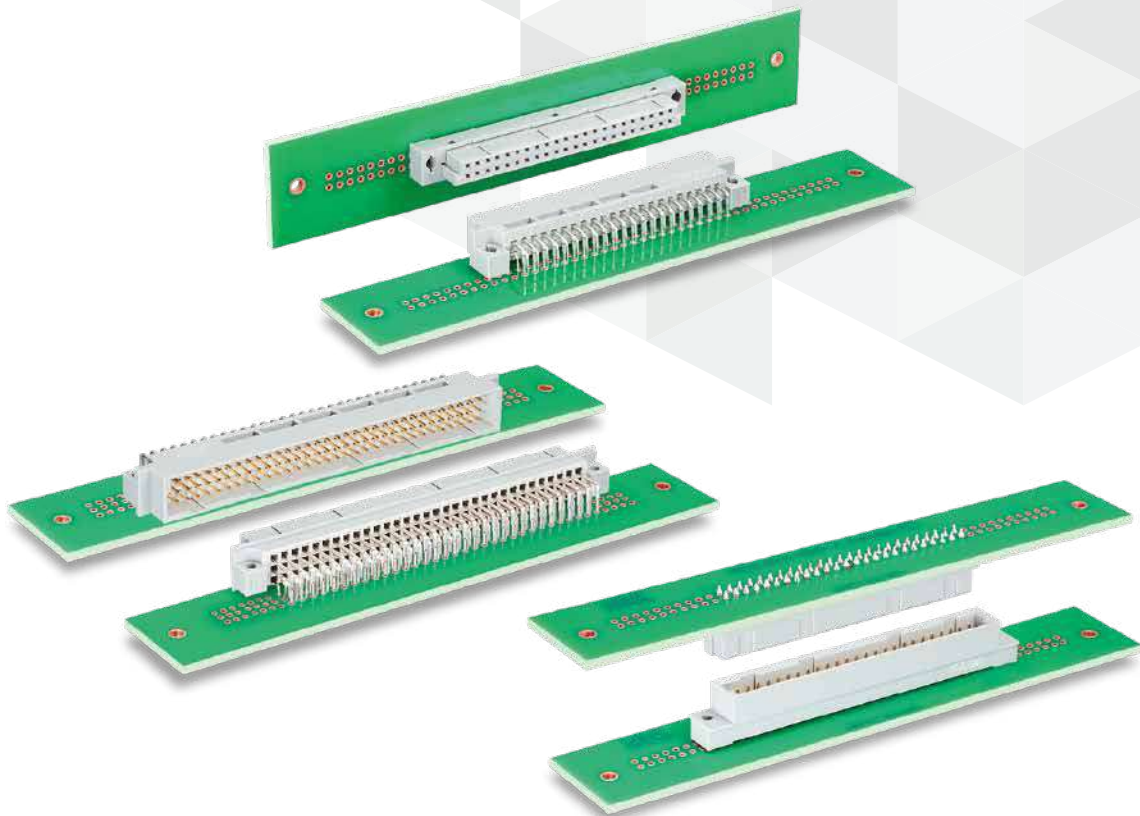
DIN Standard



P=2.54 mm



Wide Variation



Features

1. Complies with DIN Standard

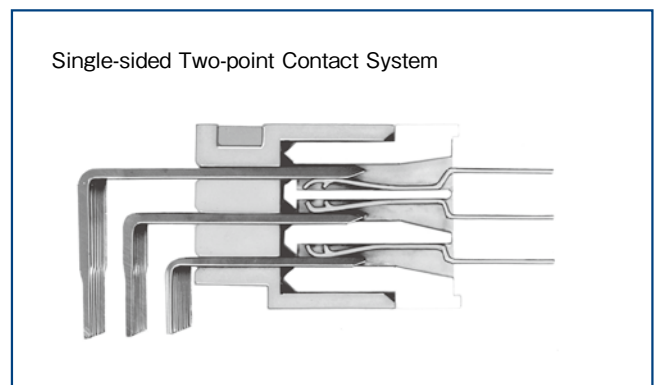
Complies with IEC603-2/DIN41612 standard.

2. Number of Positions

12 pin variations available : 10,16,20,30, 32,44,48,50,64,90,96 and 100.

3. Two-point Contact Design

High cost performance with the single-sided two point contact design.



Two-point Contact Design

4. Wide applications

The easy lock pin type for temporary board installation is available.

Applications

Computers, Control Equipment, Switches, Measuring Devices, etc.

Product Specifications

| | | | |
|---------------|---------|------------------------------------|--------------|
| Rated Current | 2A | Operating Temperature (Note 1) | -55 to +85°C |
| Rated Voltage | 300V AC | Operating Humidity Range | 85% Max. |
| | | Storage Temperature Range (Note 2) | -10 to +60°C |
| | | Storage Humidity Range (Note 2) | 40 to 70% |

| Item | Specification | Condition |
|---------------------------|---|---|
| Insulation Resistance | 10 ⁶ MΩ Min. | Measured at 100V DC |
| Withstanding Voltage | No flashover or insulation breakdown. | 1000V AC for 1 min. (IDC, Crimp Type : 650V AC) |
| Contact Resistance | 20mΩ Max. | Measured at 0.1A |
| Vibration | No electrical discontinuity of 10 μs Min. | Frequency : 10 to 55 Hz, single amplitude of 0.75 mm, 2 hours in each of the 3 directions. |
| Humidity(Steady State) | Insulation resistance : 10 ⁶ MΩ Min. | 96 hours at temperature of 40 ± 2°C and humidity of 90% to 95% |
| Temperature Cycle | No damage, cracks, or parts looseness. | (-65°C : 30 minutes → 15 to 35°C : 5 minutes Max. → 125°C : 30 minutes → 15 to 35°C : 5 minutes Max.) 5 times |
| Mating Durability | Contact resistance : 20mΩ Max. | 500 times |
| Soldering Heat Resistance | No deformation of components affecting performance. | Manual soldering : 350°C for 3 seconds |

Note 1 : Includes temperature rise due to current flow.

Note 2 : The term "storage" refers to products stored for long period of time prior to mounting and use. The operating temperature and humidity range applies to the non-energized state after board mounting and temporary storage during transportation.

Material / Finish

| Component | | Material | Color/Finish | Remarks |
|-----------|------------|--------------|--|---------|
| Insulator | | PBT | Beige | UL94V-0 |
| Contact | Receptacle | Copper Alloy | Contact Area: Nickel Underplated+Gold Plated Remaining Areas: Nickel Underplated+Tin Plated | - |

Product Number Structure

■ PCN13 Series (Receptacle)

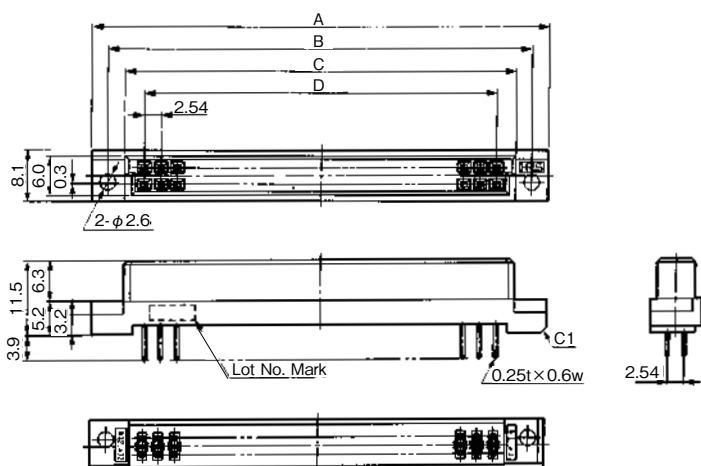
PCN13 E - # S - 2.54 DSA

1
2
3
4
5
6

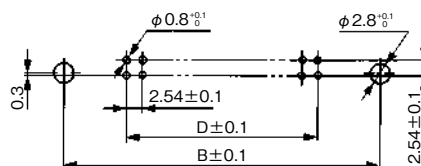
| | | | |
|---|---|--|--|
| 1 Series Name | PCN13 | 4 Connector Type | S : Receptacle |
| 2 Configuration | Blank : Standard Type E : With Lock Pin for Temporary Board Installation | 5 Contact Pitch | 2.54mm |
| 3 No. of Pos. | 2 row : 10,16,20,30,32,44,50,64,90,100 3 row : 48,96 | 5 Contact Pitch | DS : Right Angle Through Hole Type DSA : Straight Through Hole Type |

*PCN13 Series only includes socket connectors that mate with the PCN10 and PCN12 Series plugs.

Receptacle : 2-row Straight Type



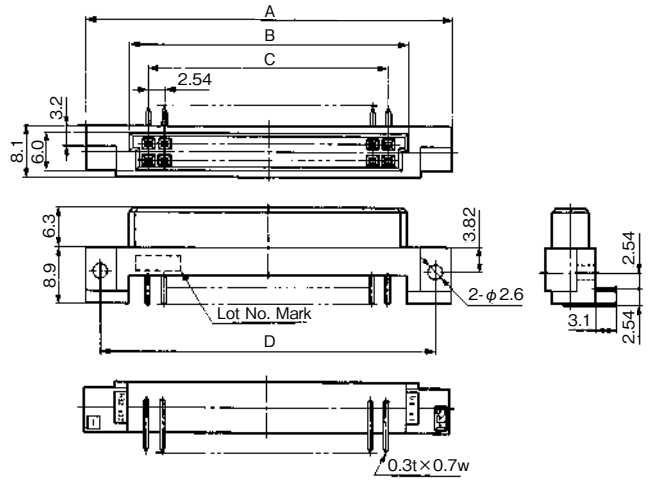
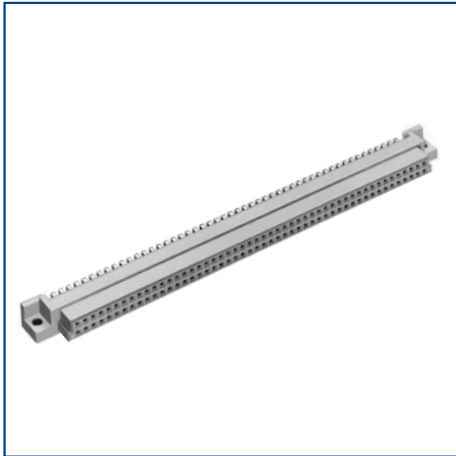
PCB Mounting Pattern



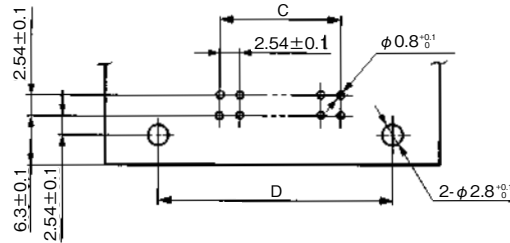
Unit : mm

| Part No. | HRS No. | No. of Pos. | A | B | C | D | RoHS | Purchase Unit |
|------------------------|------------------|-------------|--------|--------|--------|--------|------|----------------|
| PCN13-16S-2.54DSA(71) | CL0583-3001-8-71 | 16 | 34.04 | 29.04 | 24.04 | 17.78 | ○ | 80pcs per tray |
| PCN13-20S-2.54DSA(71) | CL0583-3002-0-71 | 20 | 39.12 | 34.12 | 29.12 | 22.86 | | 70pcs per tray |
| PCN13-32S-2.54DSA(71) | CL0583-3004-6-71 | 32 | 54.36 | 49.36 | 44.36 | 38.10 | | 50pcs per tray |
| PCN13-44S-2.54DSA(71) | CL0583-3005-9-71 | 44 | 69.60 | 64.60 | 59.60 | 53.34 | | 40pcs per tray |
| PCN13-50S-2.54DSA(71) | CL0583-3006-1-71 | 50 | 77.22 | 72.22 | 67.22 | 60.96 | | 30pcs per tray |
| PCN13-64S-2.54DSA(71) | CL0583-3007-4-71 | 64 | 95.00 | 90.00 | 85.00 | 78.74 | | 30pcs per tray |
| PCN13-90S-2.54DSA(71) | CL0583-3008-7-71 | 90 | 128.02 | 123.02 | 118.02 | 111.76 | | 20pcs per tray |
| PCN13-100S-2.54DSA(71) | CL0583-3009-0-71 | 100 | 140.72 | 135.72 | 130.72 | 124.46 | | 20pcs per tray |

Receptacle : 2-row Right Angle Type



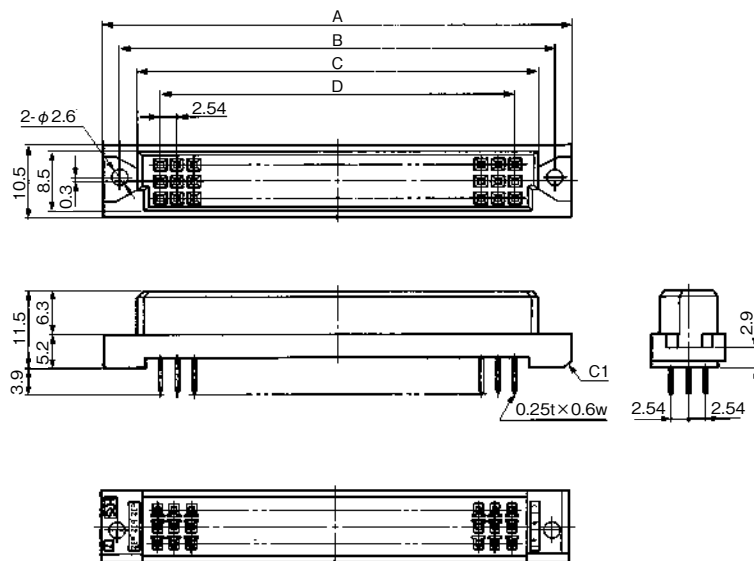
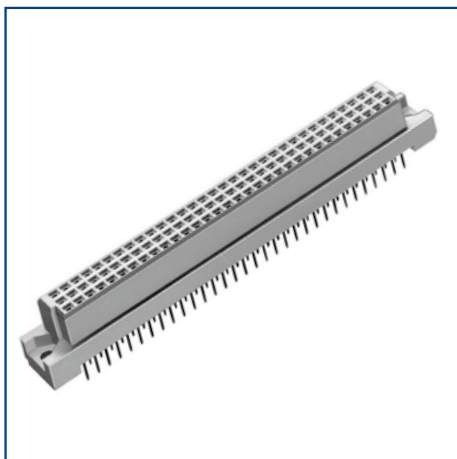
PCB Mounting Pattern



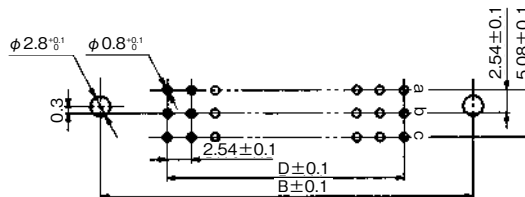
Unit : mm

| Part No. | HRS No. | No. of Pos. | A | B | C | D | RoHS | Purchase Unit |
|-----------------------|------------------|-------------|--------|--------|--------|--------|------|----------------|
| PCN13-16S-2.54DS(71) | CL0583-3031-9-71 | 16 | 38.02 | 24.04 | 17.78 | 33.02 | ○ | 44pcs per box |
| PCN13-20S-2.54DS(71) | CL0583-3032-1-71 | 20 | 43.10 | 29.12 | 22.86 | 38.10 | | 33pcs per tray |
| PCN13-30S-2.54DS(71) | CL0583-3033-4-71 | 30 | 55.80 | 41.82 | 35.56 | 50.80 | | 22pcs per tray |
| PCN13-32S-2.54DS(71) | CL0583-3034-7-71 | 32 | 58.34 | 44.36 | 38.10 | 53.34 | | |
| PCN13-44S-2.54DS(71) | CL0583-3035-0-71 | 44 | 73.58 | 59.60 | 53.34 | 68.58 | | 11pcs per tray |
| PCN13-50S-2.54DS(81) | CL0583-3036-2-81 | 50 | 81.20 | 67.22 | 60.96 | 76.20 | | |
| PCN13-64S-2.54DS(71) | CL0583-3037-5-71 | 64 | 98.98 | 85.00 | 78.74 | 93.98 | | |
| PCN13-90S-2.54DS(81) | CL0583-3038-8-81 | 90 | 132.00 | 118.02 | 111.76 | 127.00 | | |
| PCN13-100S-2.54DS(71) | CL0583-3039-0-71 | 100 | 144.70 | 130.72 | 124.46 | 139.70 | | |

Receptacle : 3-row Straight Type



PCB Mounting Pattern



Unit : mm

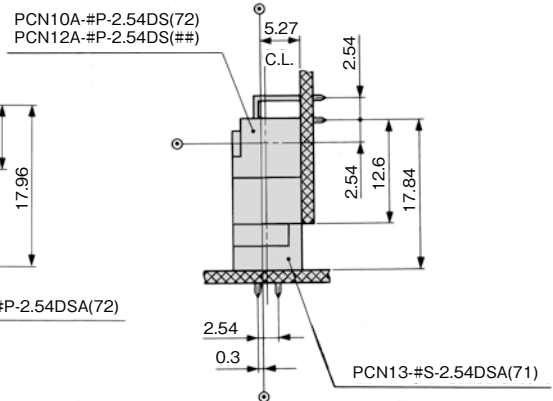
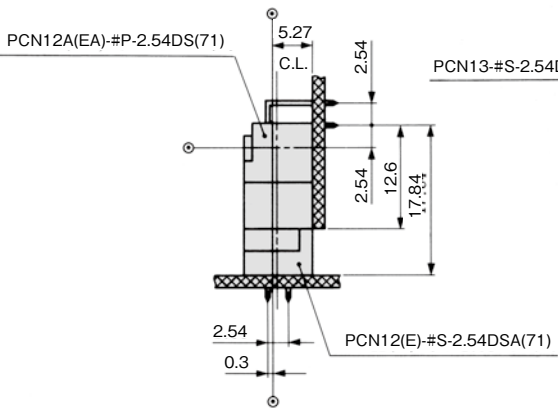
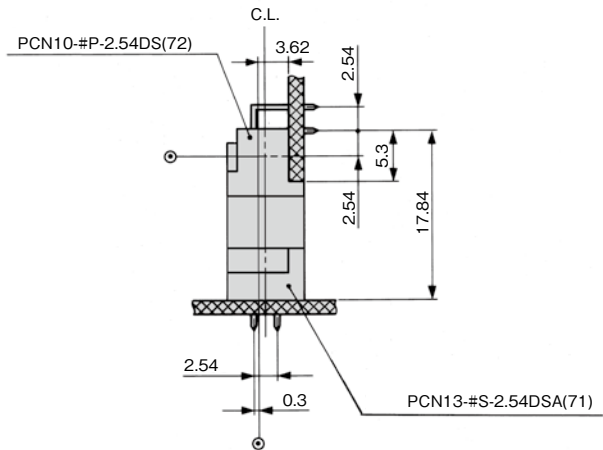
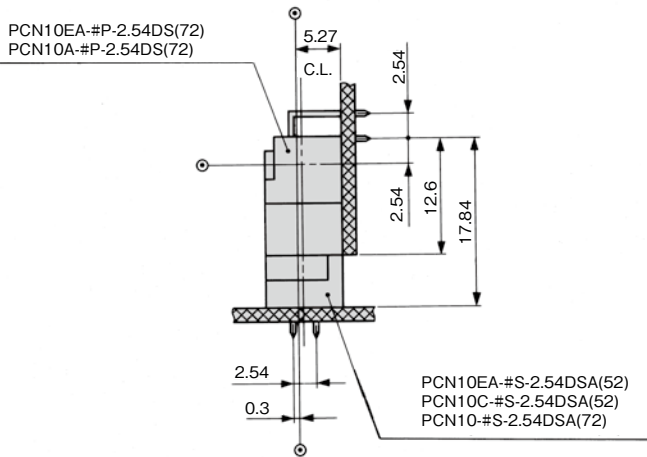
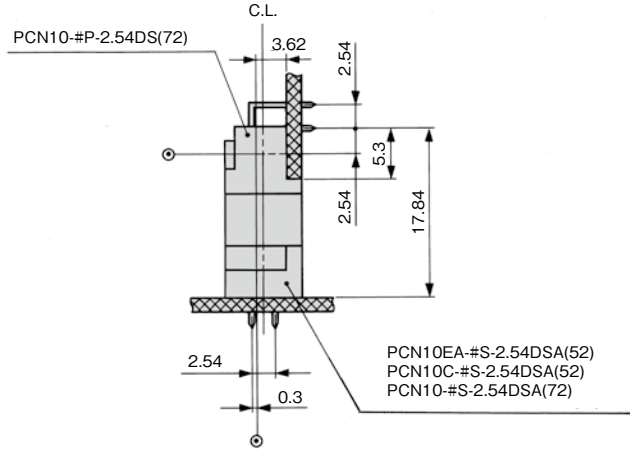
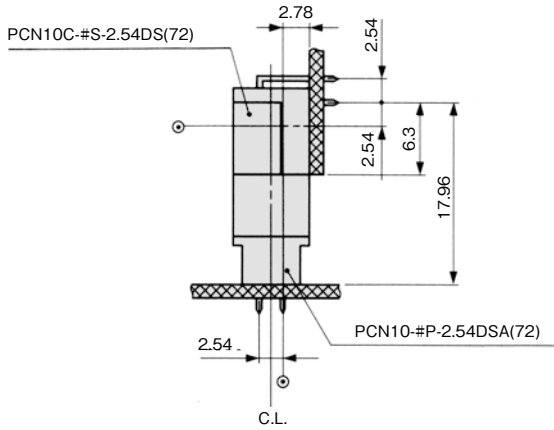
| Part No. | HRS No. | No. of Pos. | A | B | C | D | RoHS | Purchase Unit |
|-----------------------|------------------|-------------|-------|-------|-------|-------|------|----------------|
| PCN13-48S-2.54DSA(71) | CL0583-3010-9-71 | 48 | 54.36 | 50.00 | 44.36 | 38.10 | ○ | 20pcs per tray |
| PCN13-96S-2.54DSA(71) | CL0583-3011-1-71 | 96 | 95.00 | 90.00 | 85.00 | 78.74 | | 15pcs per tray |

Application Pattern

● Right Angle Connection

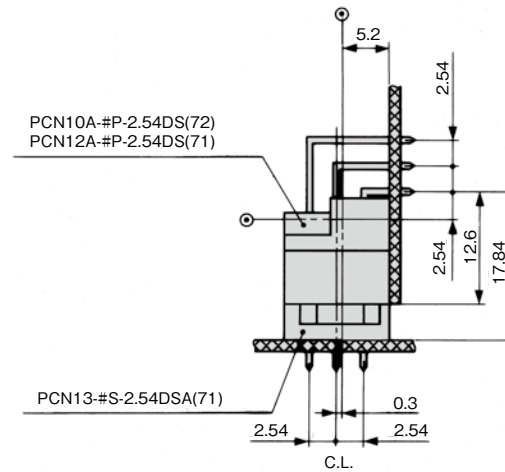
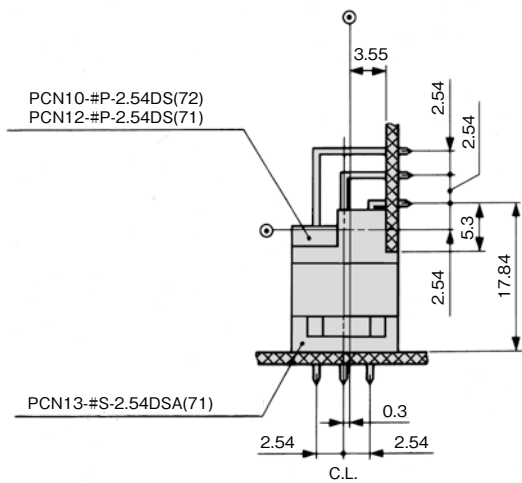
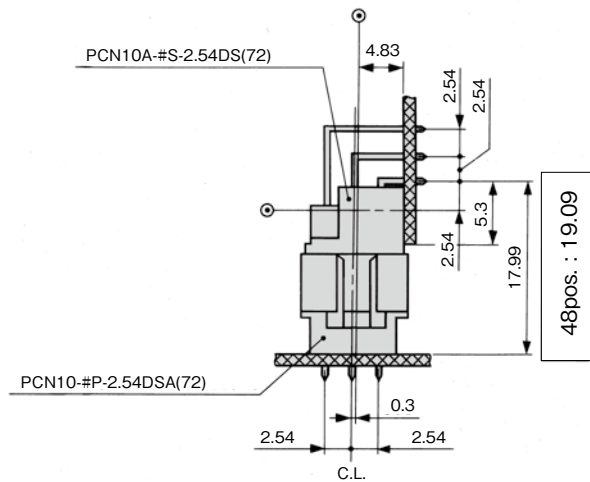
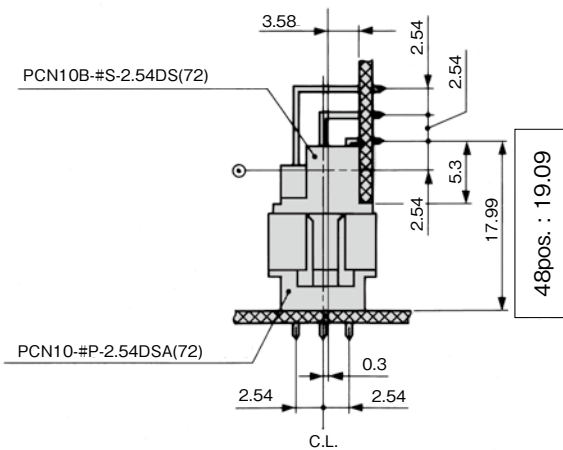
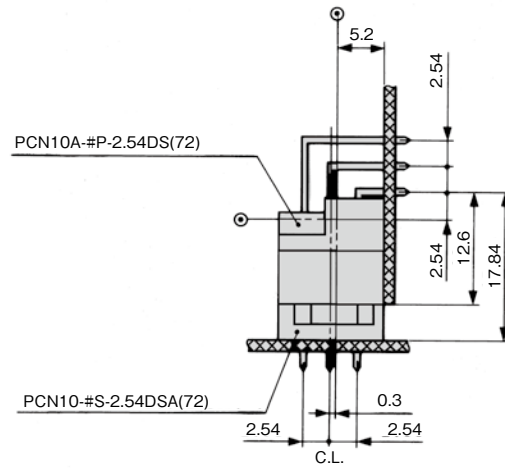
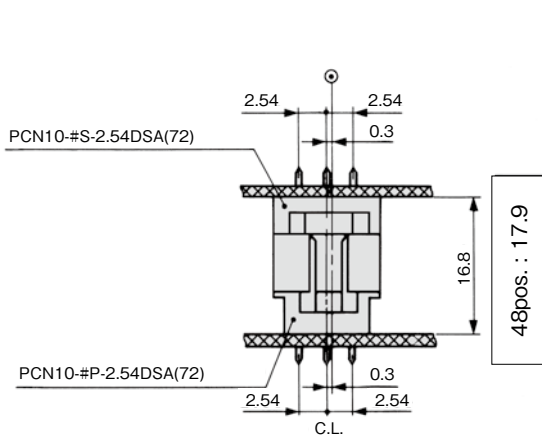
● 2-row Type

⊙ Mounting Hole Center
C.L. Center Line

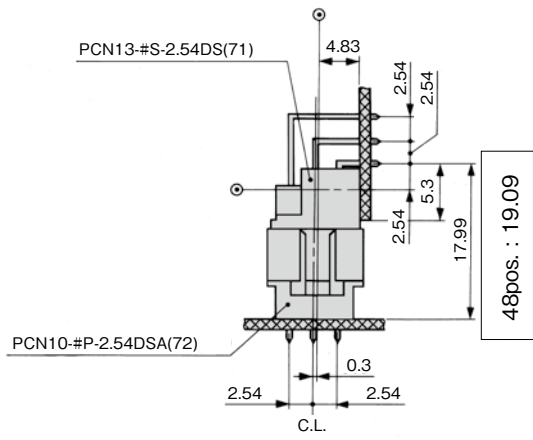
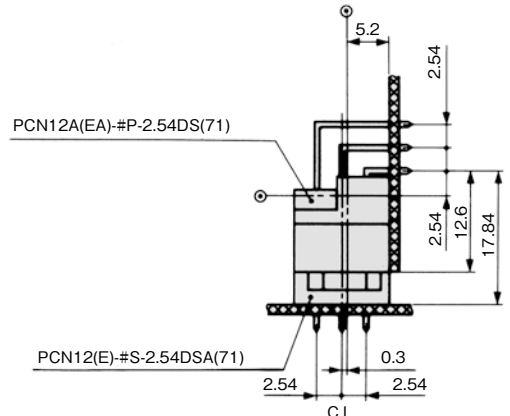
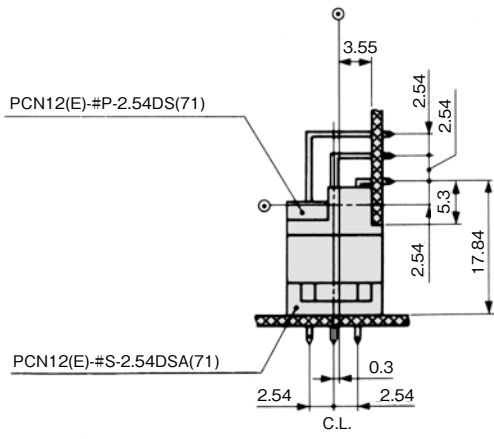


● 3-row Type

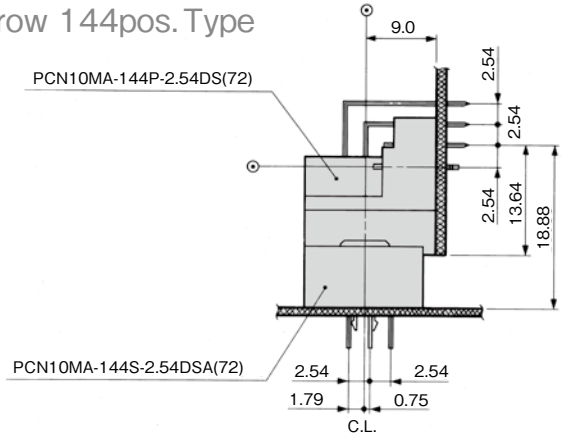
⊙ Mounting Hole Center
C.L. Center Line



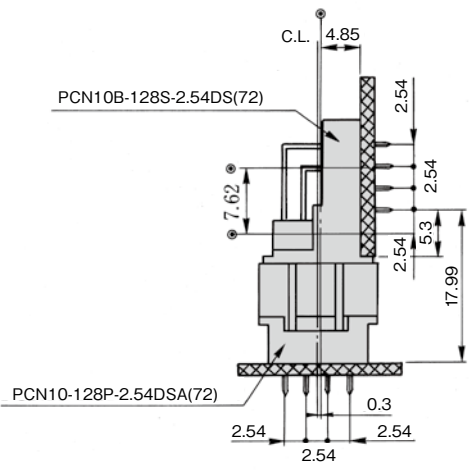
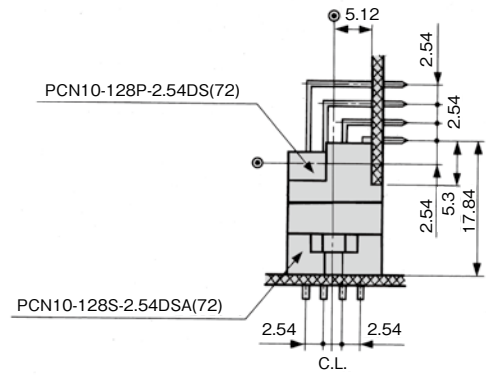
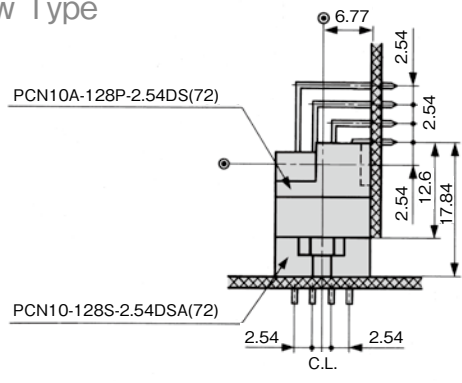
⊙ Mounting Hole Center
C.L. Center Line



● 3-row 144pos. Type



● 4-row Type

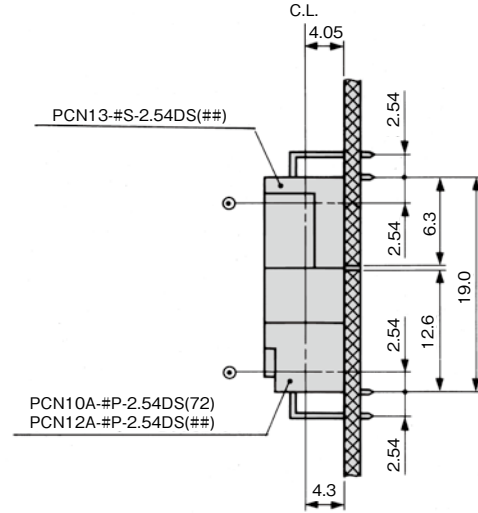
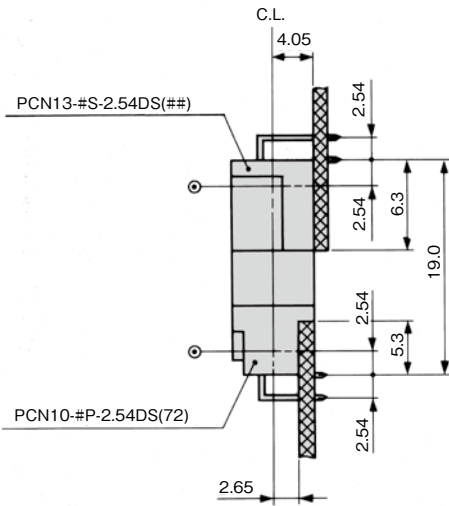
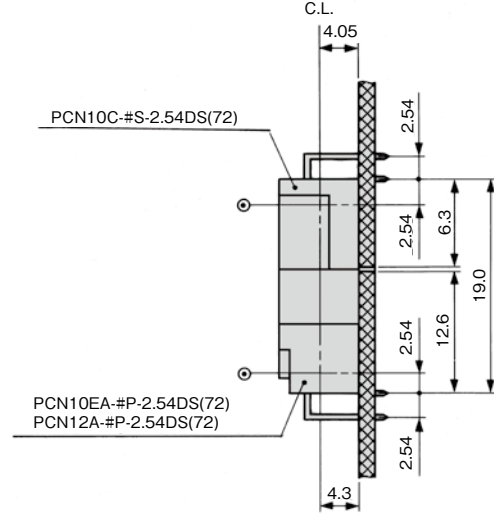
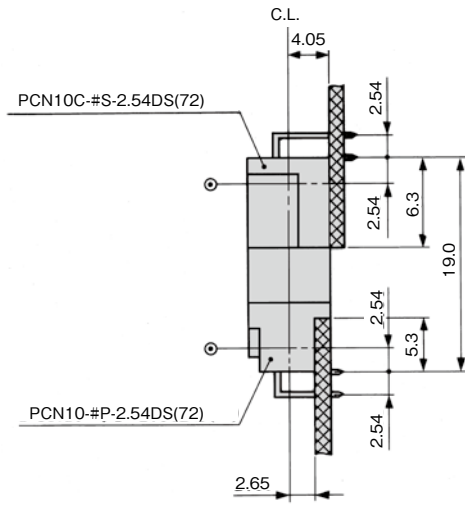


Jun. 1. 2024 Copyright 2024 HIROSE ELECTRIC CO., LTD. All Rights Reserved.

● Coplanar Connection

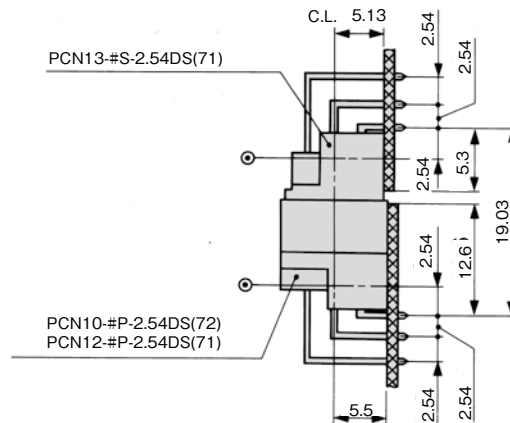
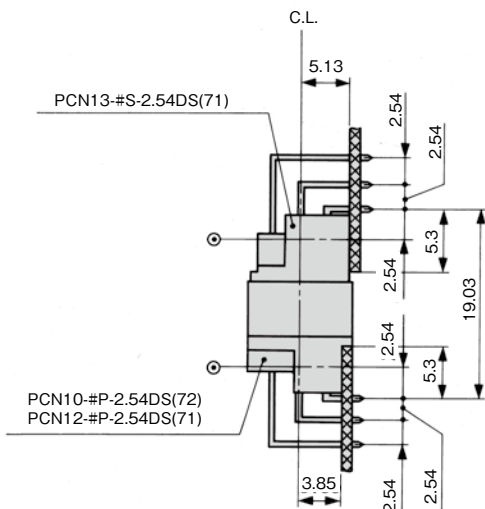
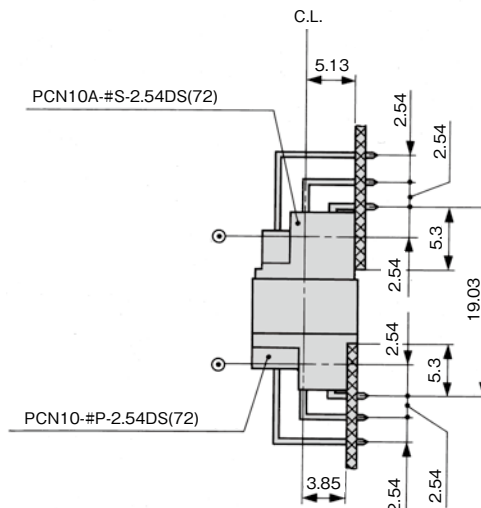
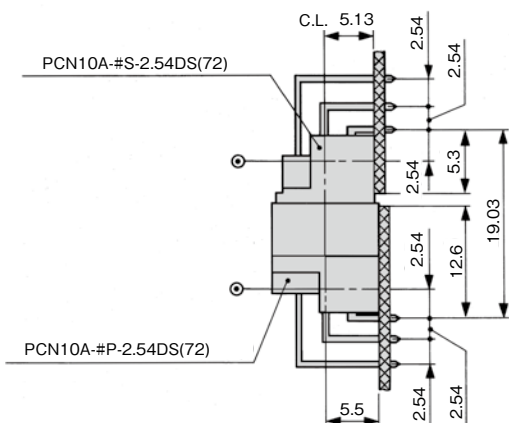
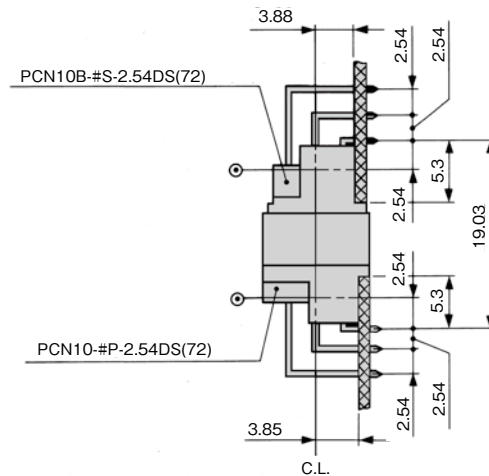
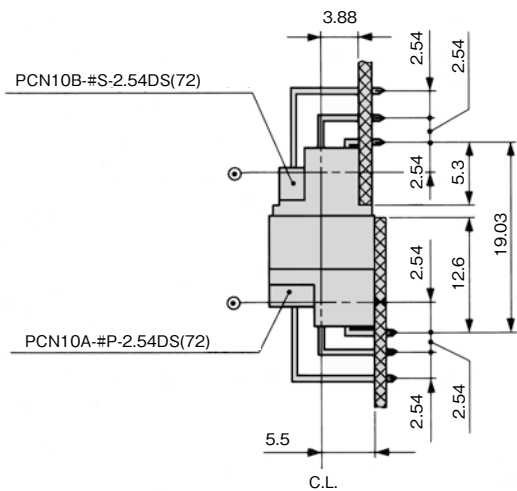
● 2-row Type

⊙ Mounting Hole Center
C.L. Center Line

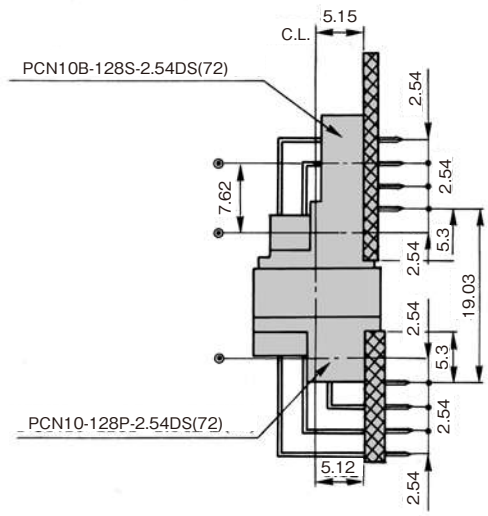
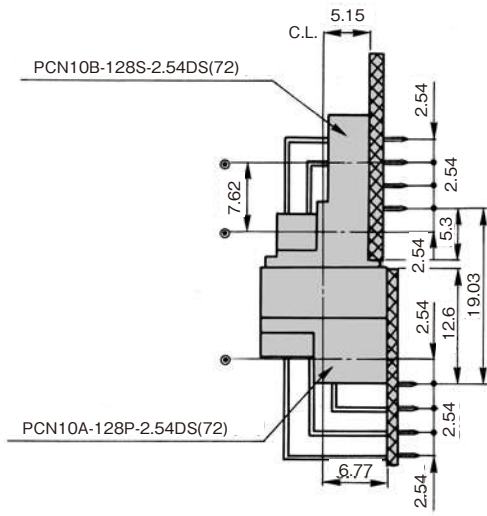


● 3-row Type

⊙ Mounting Hole Center
C.L. Center Line



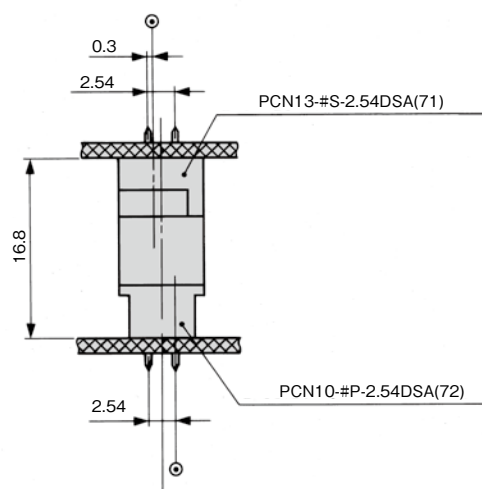
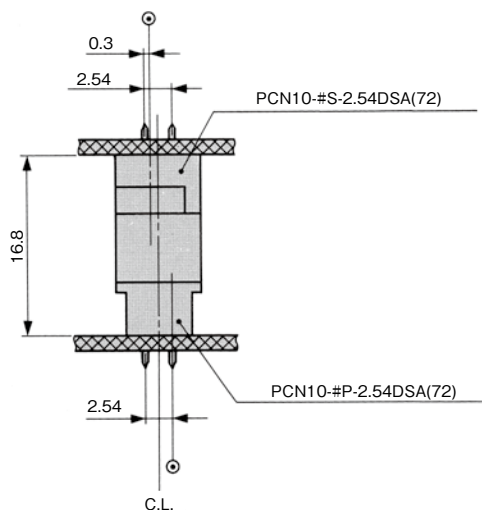
● 4-row Type



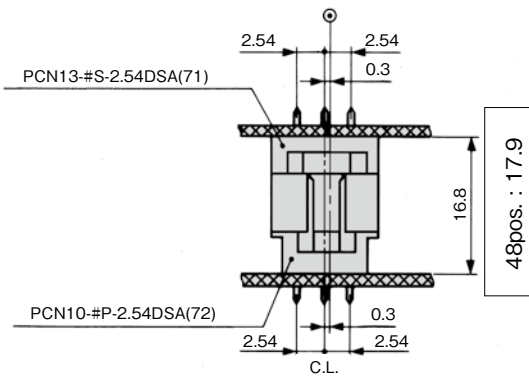
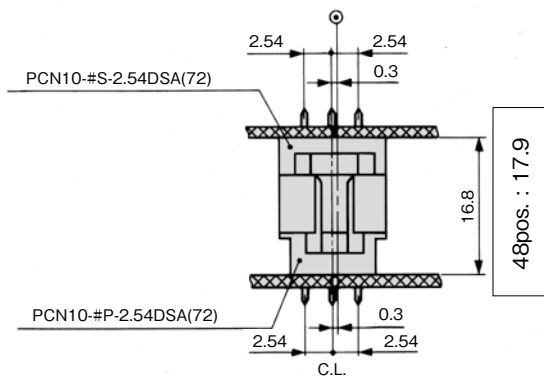
● Parallel Connection

● 2-row Type

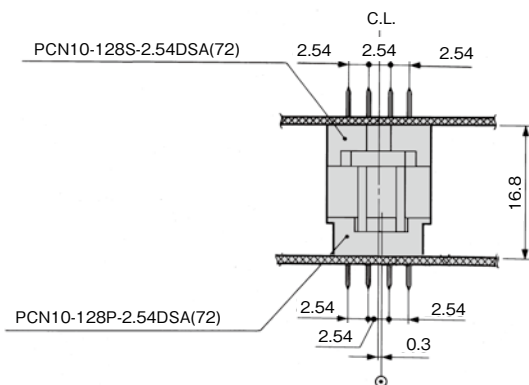
⊙ Mounting Hole Center
C.L. Center Line



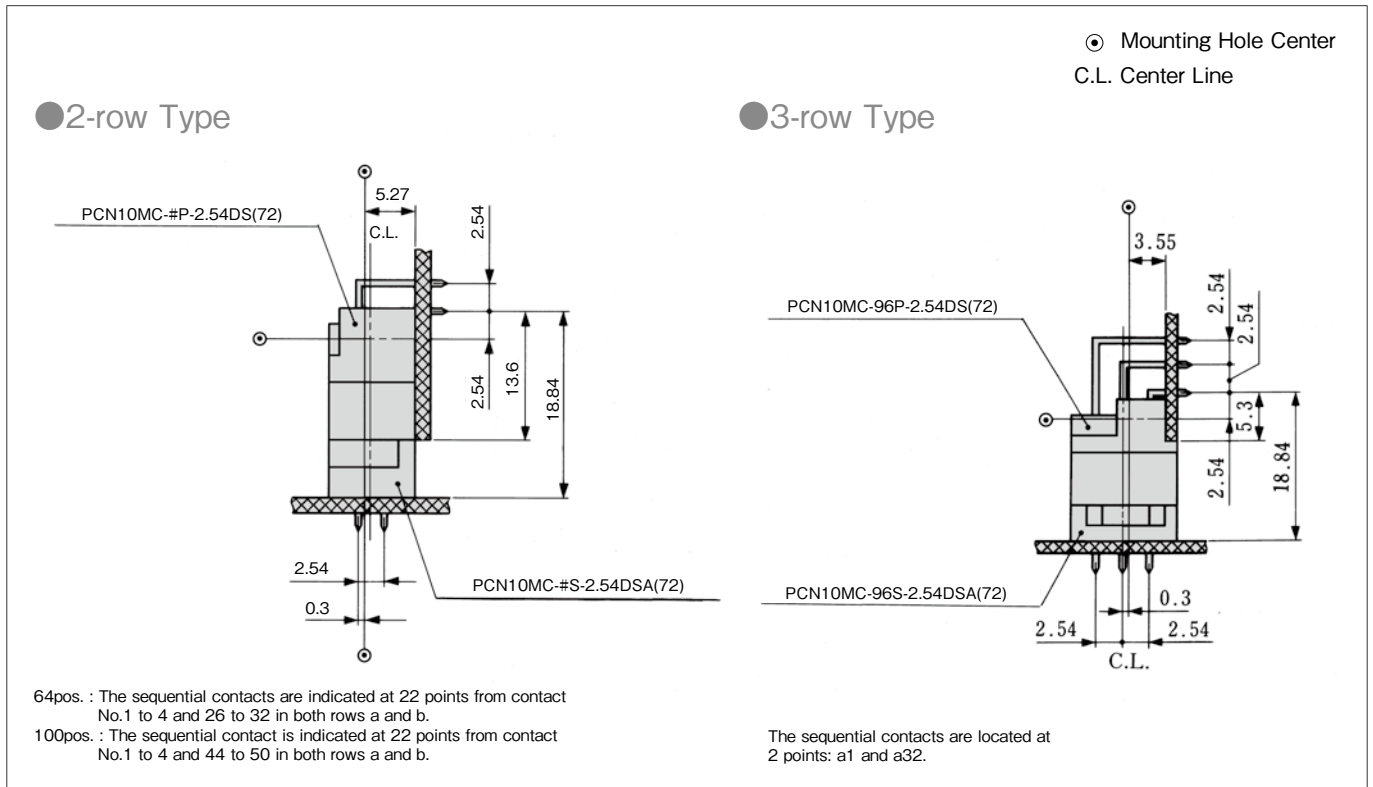
● 3-row Type



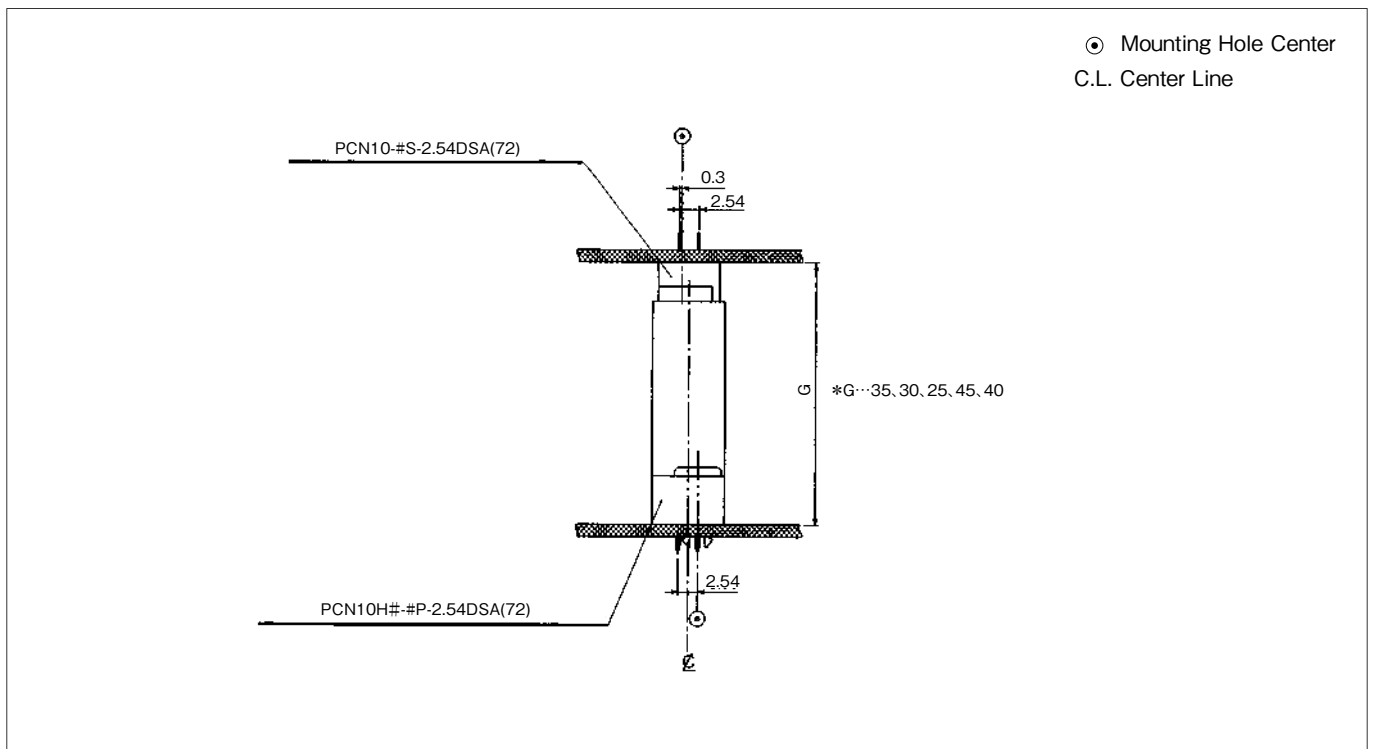
● 4-row Type



● Circuit Protection Type



● Stacking Connector

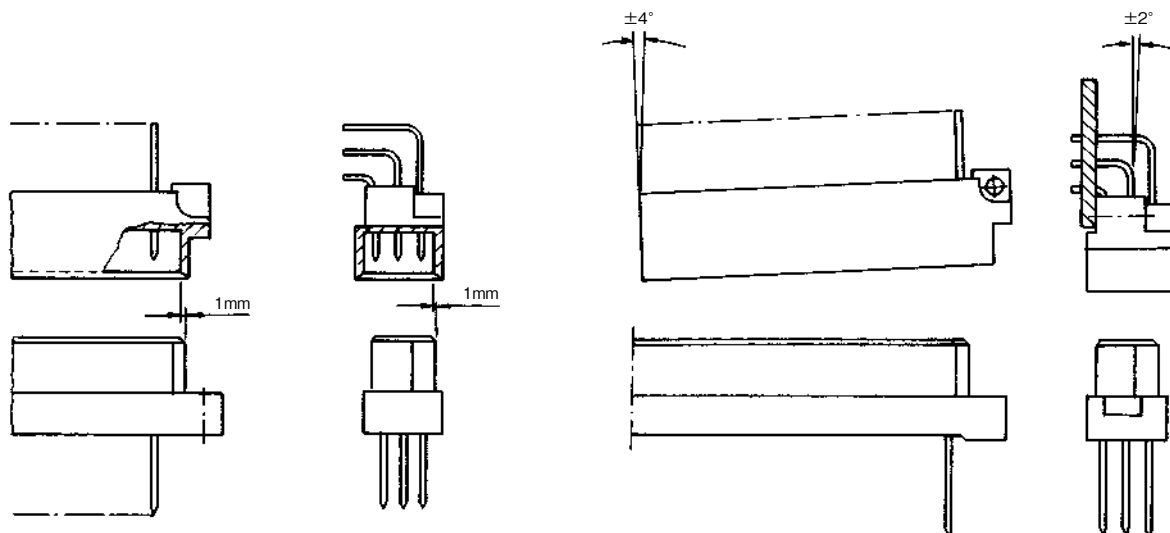


Precautions

● DIN Connector Mating Conditions

Use Hirose DIN connectors within the following range.

The contacts of the PCN10 Series receptacle rattle slightly in order to stabilize the contact installation but this does not represent a performance issue.



While Taking in Consideration

Specifications mentioned in this catalog are reference values.

When considering to order or use this product, please confirm the Drawing and Product Specifications sheets.

Use an appropriate cable when using the connector in combination with cables.

If considering usage of a non-specified cable, please contact your sales representative.

If assembly process is done by jigs & tools which are not identified by Hirose, assurance will not be given.

If considering usage for below mentioned applications, please contact your sales representative.

In cases where the application will demand a high level of reliability, such as automotive, medical instruments, public infrastructure, aerospace/ defense etc. Hirose must review before assurance of reliability can be given.

Looking for pricing, stock, or lifecycle information?

Click below to explore more details on WIN SOURCE:

- [View PCN10-32P-2.54DSA\(72\) on WIN SOURCE](#)
- [Hirose Electric Co Ltd Information](#)

Optimize Your Supply Chain with WIN SOURCE Solutions

- ✓ Global Sourcing Solution
- ✓ Obsolete Management
- ✓ Cost Control Management
- ✓ Shortage Management
- ✓ Alternative Solution
- ✓ Excess Inventory Management