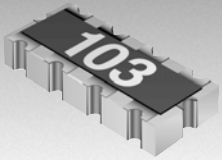




**THE DATASHEET OF
CAT25-104JALF**



*RoHS COMPLIANT



BOURNS®

Features

- Concave terminals
- RoHS compliant*
- 8 bit multiple applications
- Smallest bused chip array
- E 24 Series from 10 ohms to 1 megohm

CAT25 - Thick Film Chip Resistor Arrays

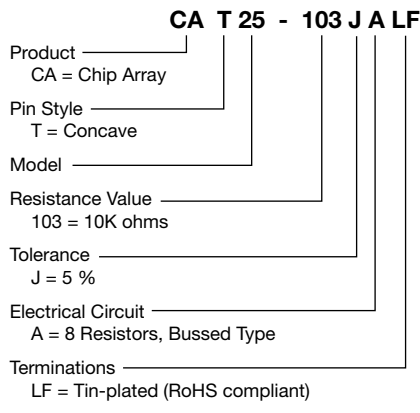
Electrical Characteristics

| Parameters | CAT25 | Test Method |
|---------------------------|---------------------|----------------|
| Number of Resistors | 8 | |
| Resistance Range E24 | 10 ohms to 1 megohm | |
| Resistance Tolerance | 5 % | JIS-C-5202.5.1 |
| Power Rating/Resistor | 62.5 mW | |
| Rating Temperature | +70 °C | |
| T.C.R. | ±200 ppm/°C | JIS-C-5202.5.2 |
| Maximum Operating Voltage | 25 V | |
| Operating Temperature | -55 °C to +125 °C | |

Environmental Characteristics

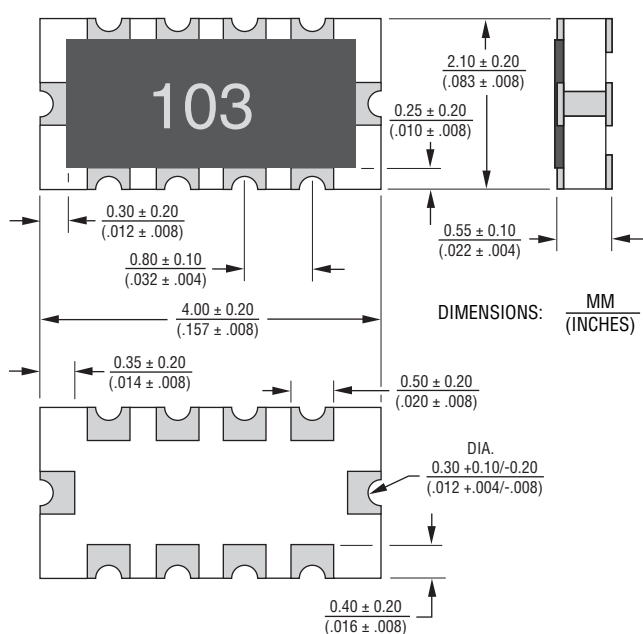
| Specification | Characteristics | Test Method |
|---------------------------------|----------------------|-----------------|
| Short Time Overload | ±(3 % +0.1 ohm) | JIS-C-5202.5.5 |
| Load Life | ±(5 % +0.1 ohm) | JIS-C-5202.7.10 |
| Humidity Load Life | ±(3 % +0.1 ohm) | JIS-C-5202.7.9 |
| Resistance to Soldering Heat | ±(1 % +0.1 ohm) | JIS-C-5202.6.4 |
| Terminal Strength | ±(1 % +0.1 ohm) | JIS-C-5202.6. |
| Temperature Cycle | ±(2 % +0.1 ohm) | JIS-C-5202.7.4 |
| Vibration | ±(1 % +0.1 ohm) | JIS-C-5202.6.3 |
| Insulation Resistance | 1000 megohms minimum | JIS-C-5202.5.6 |
| Dielectric Withstanding Voltage | 50 VRMS | JIS-C-5202.5.7 |
| Lead Solderability | >95 % | JIS-C-5202.6.5 |

How To Order

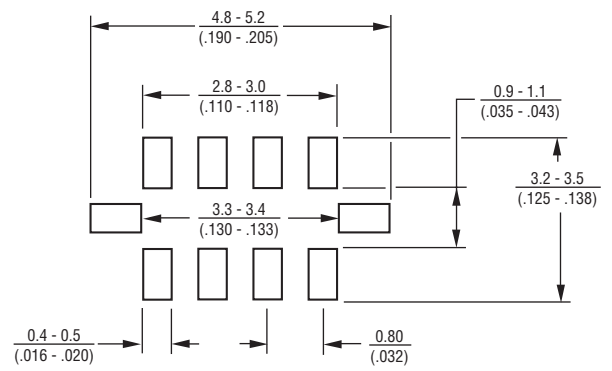


For Standard Values Used in Capacitors, Inductors, and Resistors, [click here](#).

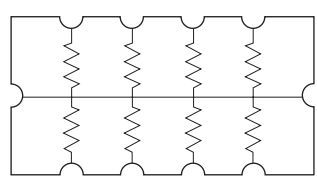
Outline Drawing



Land Pattern



Electrical Circuit

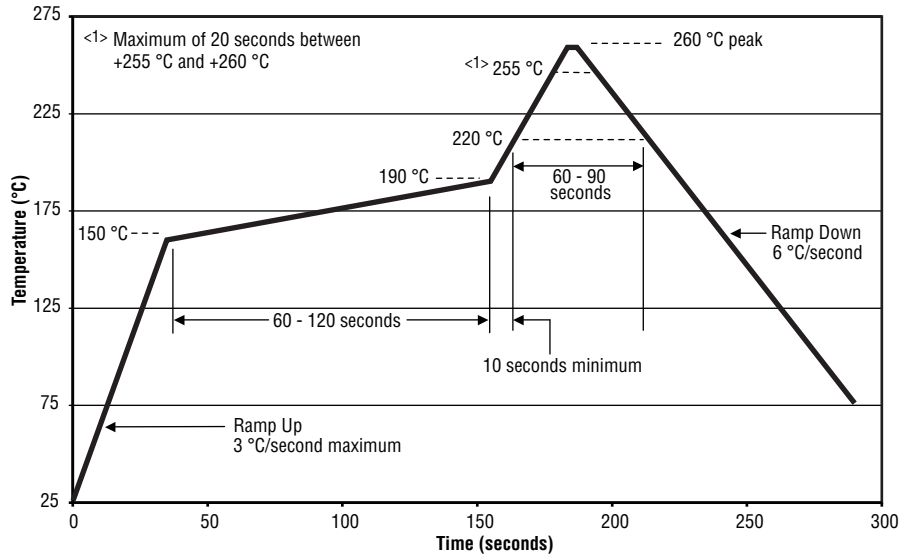


*RoHS Directive 2002/95/EC Jan 27, 2003 including Annex. Specifications are subject to change without notice. Customers should verify actual device performance in their specific applications

CAT25 - Thick Film Chip Resistor Arrays

BOURNS®

Soldering Profile for RoHS Compliant Chip Resistors and Arrays



Packaging



12
(.472) embossed tape
4,000 pcs. per reel

Material

| | |
|------------------|-------------------|
| Substrate | Alumina 96 |
| Element | Ruthenium Oxide |
| Coating | Glass |
| Terminal | Plated Ni+Sn |

Looking for pricing, stock, or lifecycle information?

Click below to explore more details on WIN SOURCE:

-  [View CAT25-104JALF on WIN SOURCE](#)
-  [Bourns Inc. Information](#)

Optimize Your Supply Chain with WIN SOURCE Solutions

-  Global Sourcing Solution
-  Obsolete Management
-  Cost Control Management
-  Shortage Management
-  Alternative Solution
-  Excess Inventory Management