



**THE DATASHEET OF
CUDD16-08C TR13 PBFREE**



CUDD16-02C
 CUDD16-04C
 CUDD16-08C

**SURFACE MOUNT, DUAL
 COMMON CATHODE, ULTRA FAST
 RECOVERY SILICON RECTIFIERS
 16 AMP, 200 THRU 800 VOLT**



www.centrasemi.com

D²PAK!
 SUPER POWER



D²PAK CASE

DESCRIPTION:

The CENTRAL SEMICONDUCTOR CUDD16-02C Series types are Silicon Ultra-Fast Recovery Rectifiers designed for surface mount ultra fast switching applications requiring a low forward voltage drop.

MARKING: FULL PART NUMBER

FEATURES:

- High Reliability
- Low Forward Voltage
- High Current Capability
- High Surge Capacity
- UL Flammability Classification 94V-O
- Superior Lot To Lot Consistency
- Ultra Fast Recovery Time
- High Voltage

MAXIMUM RATINGS: ($T_C=25^\circ\text{C}$ unless otherwise noted)

	SYMBOL	CUDD16-02C	CUDD16-04C	CUDD16-08C	UNITS
Peak Repetitive Reverse Voltage	V_{RRM}	200	400	800	V
DC Blocking Voltage	V_R	200	400	800	V
RMS Reverse Voltage	$V_{R(RMS)}$	140	280	560	V
Average Forward Current ($T_C=100^\circ\text{C}$)	I_O		16		A
Peak Forward Surge Current, $t_p=8.3\text{ms}$	I_{FSM}		125		A
Operating and Storage					
Junction Temperature	T_J, T_{stg}		-65 to +150		$^\circ\text{C}$
Typical Thermal Resistance	θ_{JC}		3.0		$^\circ\text{C/W}$
Typical Thermal Resistance	θ_{JA}		50		$^\circ\text{C/W}$

ELECTRICAL CHARACTERISTICS PER DIODE: ($T_C=25^\circ\text{C}$ unless otherwise noted)

SYMBOL	TEST CONDITIONS	CUDD16-02C		CUDD16-04C		CUDD16-08C		UNITS
		TYP	MAX	TYP	MAX	TYP	MAX	
I_R	$V_R=\text{Rated } V_{RRM}$	-	5.0	-	10	-	10	μA
I_R	$V_R=\text{Rated } V_{RRM}, T_C=150^\circ\text{C}$	-	250	-	500	-	500	μA
V_F	$I_F=8.0\text{A}$	-	0.975	-	1.3	-	1.5	V
V_F	$I_F=8.0\text{A}, T_C=150^\circ\text{C}$	-	0.895	-	1.1	-	1.2	V
t_{rr}	$I_F=0.5\text{A}, I_R=1.0\text{A}, I_{rr}=0.25\text{A}$	-	25	-	25	-	50	ns
C_J	$V_R=4.0\text{V}, f=1.0\text{MHz}$	80	-	80	-	50	-	pF

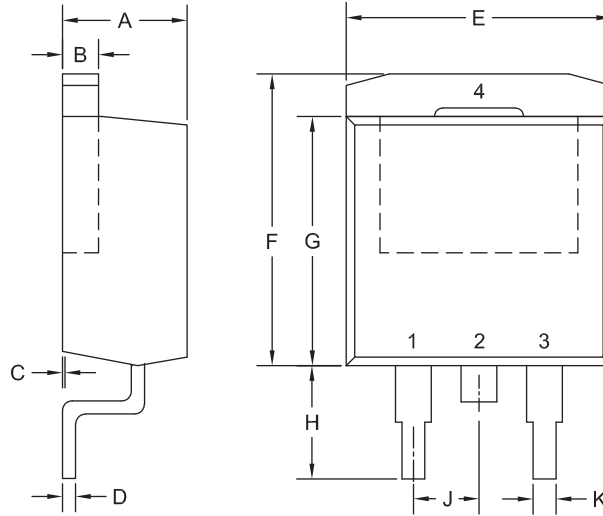
R5 (11-January 2018)

CUDD16-02C
 CUDD16-04C
 CUDD16-08C

**SURFACE MOUNT, DUAL
 COMMON CATHODE, ULTRA FAST
 RECOVERY SILICON RECTIFIERS
 16 AMP, 200 THRU 800 VOLT**



D²PAK CASE - MECHANICAL OUTLINE



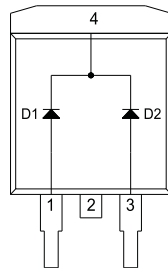
R3

LEAD CODE:

- 1) Anode D1
 - 2) Cathode D1, D2
 - 3) Anode D2
 - 4) Cathode D1, D2
- Pin 2 is common to the tab (4).

MARKING:

FULL PART NUMBER



SYMBOL	DIMENSIONS			
	INCHES		MILLIMETERS	
	MIN	MAX	MIN	MAX
A	0.163	0.189	4.14	4.80
B	0.045	0.055	1.14	1.40
C	0.000	0.010	0.00	0.25
D	0.012	0.028	0.30	0.70
E	0.386	0.415	9.80	10.55
F	0.378	0.417	9.60	10.60
G	0.335	0.358	8.50	9.10
H	0.188	0.236	4.78	6.00
J	0.093	0.108	2.35	2.75
K	0.030	0.035	0.75	0.90

D2PAK (REV: R3)

R5 (11-January 2018)

OUTSTANDING SUPPORT AND SUPERIOR SERVICES



PRODUCT SUPPORT

Central's operations team provides the highest level of support to insure product is delivered on-time.

- Supply management (Customer portals)
- Inventory bonding
- Consolidated shipping options
- Custom bar coding for shipments
- Custom product packing

DESIGNER SUPPORT/SERVICES

Central's applications engineering team is ready to discuss your design challenges. Just ask.

- Free quick ship samples (2nd day air)
- Online technical data and parametric search
- SPICE models
- Custom electrical curves
- Environmental regulation compliance
- Customer specific screening
- Up-screening capabilities
- Special wafer diffusions
- PbSn plating options
- Package details
- Application notes
- Application and design sample kits
- Custom product and package development

REQUESTING PRODUCT PLATING

1. If requesting Tin/Lead plated devices, add the suffix "TIN/LEAD" to the part number when ordering (example: 2N2222A TIN/LEAD).
2. If requesting Lead (Pb) Free plated devices, add the suffix "PBFREE" to the part number when ordering (example: 2N2222A PBFREE).

CONTACT US

Corporate Headquarters & Customer Support Team

Central Semiconductor Corp.
145 Adams Avenue
Hauppauge, NY 11788 USA
Main Tel: (631) 435-1110
Main Fax: (631) 435-1824
Support Team Fax: (631) 435-3388
www.centrasemi.com

Worldwide Field Representatives:
www.centrasemi.com/wwreps

Worldwide Distributors:
www.centrasemi.com/wwdistributors

For the latest version of Central Semiconductor's **LIMITATIONS AND DAMAGES DISCLAIMER**, which is part of Central's Standard Terms and Conditions of sale, visit: www.centrasemi.com/terms

Looking for pricing, stock, or lifecycle information?

Click below to explore more details on WIN SOURCE:

- [View CUDD16-08C TR13 PBFREE on WIN SOURCE](#)
- [Central Semiconductor Corp Information](#)

Optimize Your Supply Chain with WIN SOURCE Solutions

- ✓ Global Sourcing Solution
- ✓ Obsolete Management
- ✓ Cost Control Management
- ✓ Shortage Management
- ✓ Alternative Solution
- ✓ Excess Inventory Management