



**THE DATASHEET OF  
KET460UL98**



## UL98 Motor Disconnect Switch - Polycarbonate Enclosure

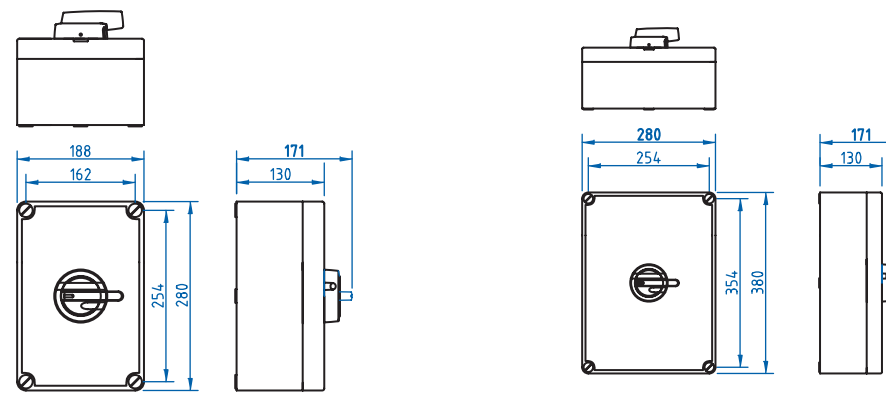
- Can be used locally at the motor
- UL Type 4X
- IEC IP65 Protection Level
- UV resistant
- Resistant to many chemicals
- Lockable - Defeatable Handle



UL US CE All Models are lockable with up to 3 padlocks.

Catalog Number	KEM360UL98 Y/R KEM360UL98		KEM460UL98 Y/R KEM460UL98		KEM3100UL98 Y/R KEM3100UL98		KEM4100UL98 Y/R KEM4100UL98	
No. of Poles*	3		4		3		4	
General Purpose Current	60 A		60 A		100 A		100 A	
Maximum Voltage	600V AC		600V AC		600V AC		600V AC	
<b>Horsepower Rating /HP</b>	1 Phase	3 Phase	1 Phase	3 Phase	1 Phase	3 Phase	1 Phase	3 Phase
120V AC	3	-	3	-	5	-	5	-
240V AC	7.5	20	7.5	20	10	25	10	25
480V AC	-	40	-	40	-	50	-	50
600V AC	-	60	-	60	-	75	-	75
<b>Short Circuit Withstand Rating at 600 V</b>	50 kA/60 A Class J		50 kA/60 A Class J		50 kA/100 A Class J		50 kA/100 A Class J	
<b>Terminal Size Acceptability</b> (Cu Conductors only, 75°C)	8-1/0 AWG		8-1/0 AWG		8-1/0 AWG		8-1/0 AWG	
<b>Terminal Torque</b>	65lb. in. (6.0 Nm)		65lb. in. (6.0 Nm)		65lb. in. (6.0 Nm)		65lb. in. (6.0 Nm)	
<b>Screw Head Type</b>	4mm Allen Key		4mm Allen Key		4mm Allen Key		4mm Allen Key	
<b>Dimensions &amp; Size</b>	MF10		MF10		MF11UL		MF11UL	

(to convert to inches multiply by 0.03937)



Weight	2.4 kg	3.3 kg	2.5 kg	3.4 kg
--------	--------	--------	--------	--------

### Suitable Accessories



Cat. No.	1.V160KU	2.V160KU
No. of Contacts	1n.o./1n.c.	2n.o./2n.c.
Electrical Rating	16 A/1/2HP/125-250V AC	

\* 6 and 8 pole versions along with changeover version available upon request.



## We have a full line of High Quality Disconnect Switches & Accessories.

### FEATURES AND BENEFITS:

- One of the smallest 80 A switches in the industry
- Advanced switch technology (use of silver contacts ensures safe and durable operation)
- Across the line, motor starting - up to 75 hp/600 V
- General Use Rating - 16 A to 150 A/600 V
- Available as rotary switches for extended or direct handle applications
- Toggle switches
- Non-fused switch
- Short Circuit Withstand Rating of 10 kA with back-up fuse
- DIN Rail and panel mount available
- Comprehensive range of accessories
- Snap on auxiliary contacts
- Enclosed switches have UL Listed Type 4 and/or 4X rating; watertight
- Operating temperature is -20°C to +40°C



### UL60947-4-1A (Formerly UL508) Listed Manual Motor Controllers

with Disconnecting Means



AC Motor Across-The-Line  
AC General Use

# Altech Corp.®



Quality Endorsed Company



## UL98 Disconnect Switches

Altech Corporation  
35 Royal Road  
Flemington, NJ 08822-6000  
P 908.806.9400 • F 908.806.9490  
www.altechcorp.com



Altech Corp.® 444UL98-2000  
Printed June 2019

# UL98 Motor Disconnect Switch - Extended

- Every design is lockable in OFF position
- Switching mechanism speed is independent from the operator
- Silver contacts ensure safe and durable operation



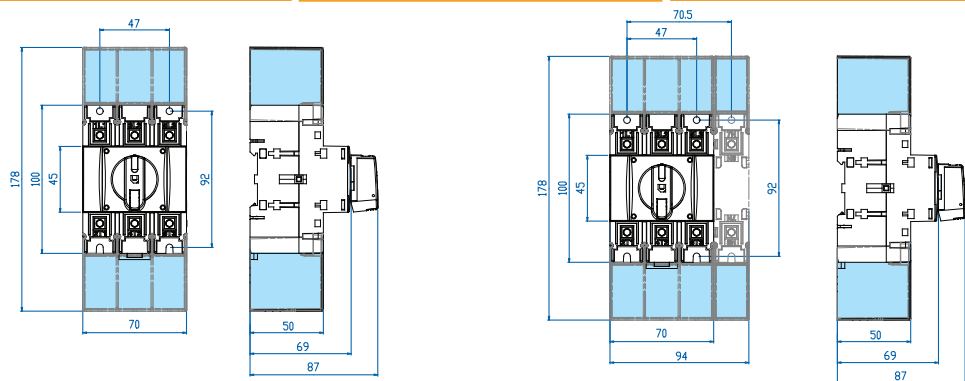
4 Pole disconnect switch shown with optional 3 pole touch protector



Catalog Number	KU330UL98		KU360UL98		KU3100UL98	
No. of Poles*	3 (4 pole - KU330UL98)		3 (4 pole - KU360UL98)		3 (4 pole - KU310UL98)	
General Purpose Current	30 A		60 A		100 A	
Maximum Voltage	600V AC		600V AC		600V AC	
<b>Horsepower Rating /HP</b>	1 Phase	3 Phase	1 Phase	3 Phase	1 Phase	3 Phase
120V AC	2	1	5	—	5	—
240V AC	5	15	7 1/2	20	10	25
480V AC	5	30	—	40	—	50
600V AC	5	50	—	60	—	75
<b>Short Circuit Withstand Rating at 600 V with Max. Fuse Size/Class:</b>	50 kA/30 A Class J		50 kA/60 A Class J		50 kA/60 A Class J	
<b>Terminal Size Acceptability</b> (Cu Conductors only, 75°C)	14-1/0 AWG		8-1/0 AWG		8-1/0 AWG	
<b>Terminal Torque</b>	35lb. in. (4.0 Nm)		65lb. in. (6.0 Nm)		65lb. in. (6.0 Nm)	
<b>Screw Head Type</b>	4mm Allen Key		4mm Allen Key		4mm Allen Key	
<b>Dimensions</b>						

(to convert to inches multiply by 0.03937)

NOTE: Optional touch protectors shown in light blue.



<b>Weight</b>	0.45 kg (4 pole 0.59 kg)	0.45 kg (4 pole 0.59 kg)	0.45 kg (4 pole 0.59 kg)
---------------	--------------------------	--------------------------	--------------------------

## Suitable Accessories

### DOOR INTERLOCK HANDLES



Lockable with up to 3 padlocks.

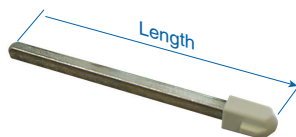
Lockable with up to 3 padlocks.

### SIDE MOUNTED AUXILIARY SWITCHES

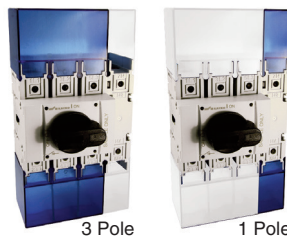


Cat. No.	LK10 UL	LK10 Y/R UL	LK11 U	LK11 Y/R U	Cat. No.	1.V160KU	2.V160KU
<b>Environmental Rating UL (IEC)</b>	UL Type 4X (IP66)		UL Type 4X (IP67)		<b>No. of Contacts</b>	1n.o./1n.c.	2n.o./2n.c.
<b>Color</b>	Black	Yellow/Red	Black	Yellow/Red	<b>Electrical Rating</b>	16 A/1/2HP/125-250V AC	

### DOOR INTERLOCK SHAFT



Cat. No.	L100 AD11-ST	L200 AD11-ST	L300AD11-ST
<b>Length (L)</b>	100 mm	200 mm	300 mm
<b>Material</b>	Steel	Steel	Steel



### BLUE TOUCH PROTECTOR

Cat. No.	LS/VS 160 3P	LS/VS N160
<b>Poles</b>	3	1

\* 6 and 8 pole versions along with changeover version available upon request.

## UL98 Motor Disconnect Switch - Extended

- Every design is lockable in OFF position
- Switching mechanism speed is independent from the operator
- Silver contacts ensure safe and durable operation

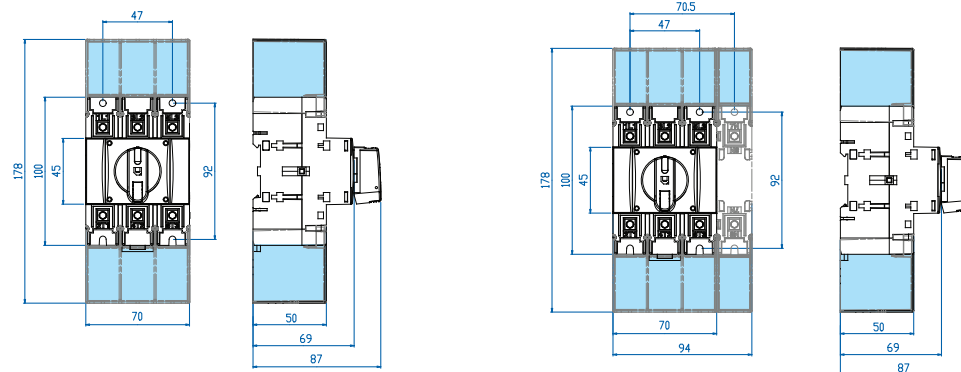


4 Pole disconnect switch shown with optional 3 pole touch protector

Catalog Number	KU360UL98		KU3100UL98		KU460UL98		KU4100UL98		
No. of Poles*	3		3		4		4		
General Purpose Current	60 A		100 A		60 A		100 A		
Maximum Voltage	600V AC		600V AC		600V AC		600V AC		
<b>Horsepower Rating /HP</b>	1 Phase	3 Phase	1 Phase	3 Phase	1 Phase	3 Phase	1 Phase	3 Phase	
	120V AC	3	—	5	—	3	—	5	—
	240V AC	7½	20	10	25	7½	20	10	25
	480V AC	—	40	—	50	—	40	—	50
	600V AC	—	60	—	75	—	60	—	75
<b>Short Circuit Withstand Rating at 600 V</b>	50 kA/60 A Class J		50 kA/60 A Class J		50 kA/60 A Class J		50 kA/60 A Class J		
<b>Terminal Size Acceptability</b> (Cu Conductors only, 75°C)	8-1/0 AWG		8-1/0 AWG		8-1/0 AWG		8-1/0 AWG		
<b>Terminal Torque</b>	65lb. in. (6.0 Nm)		65lb. in. (6.0 Nm)		65lb. in. (6.0 Nm)		65lb. in. (6.0 Nm)		
<b>Screw Head Type</b>	4mm Allen Key		4mm Allen Key		4mm Allen Key		4mm Allen Key		
<b>Dimensions</b>									

(to convert to inches multiply by 0.03937)

NOTE: Optional touch protectors shown in light blue.



<b>Weight</b>	0.45 kg	0.45 kg	0.59 kg	0.59 kg
---------------	---------	---------	---------	---------

### Suitable Accessories

#### DOOR INTERLOCK HANDLES

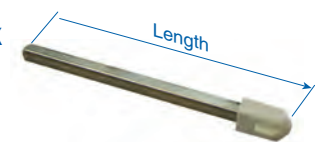


Lockable with up to 3 padlocks.

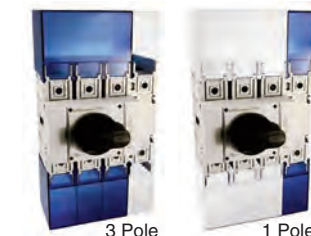
Lockable with up to 3 padlocks.

Cat. No.	LK10 UL	LK10 Y/R UL	LK11 U	LK11 Y/R U	Cat. No.	1.V160KU	2.V160KU
<b>Environmental Rating UL (IEC)</b>	UL Type 4X (IP66)		UL Type 4X (IP67)		<b>No. if Contacts</b>	1n.o./1n.c.	2n.o./2n.c.
<b>Color</b>	Black	Yellow/Red	Black	Yellow/Red	<b>Electrical Rating</b>	16 A/1/2HP/125-250V AC	

#### DOOR INTERLOCK SHAFT



Cat. No.	L100 AD11-ST	L200 AD11-ST	L300AD11-ST	Cat. No.	LS/VS 160 3P	LS/VS N160
<b>Length (L)</b>	100 mm	200 mm	300 mm	<b>Poles</b>	3	1
<b>Material</b>	Steel	Steel	Steel			



#### BLUE TOUCH PROTECTOR

\* 6 and 8 pole versions along with changeover version available upon request.

## UL98 Motor Disconnect Switch - Sheet Metal Enclosure

- Can be used locally at the motor
- UL Type 4
- Excellent in harsh weather conditions
- Resistant to many chemicals
- Corrosion and UV resistant
- IEC IP65 Protection Level
- Lockable - Defeatable Handle

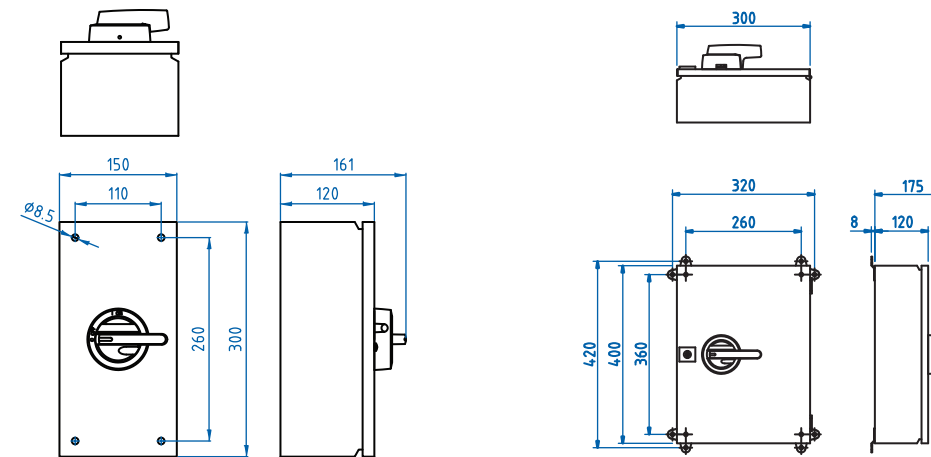


All Models are lockable with up to 3 padlocks.



Catalog Number	KET360UL98 Y/R KET360UL98		KET460UL98 Y/R KET460UL98		KET3100UL98 Y/R KET3100UL98		KET4100UL98 Y/R KET4100UL98		
No. of Poles*	3		4		3		4		
General Purpose Current	60 A		60 A		100 A		100 A		
Maximum Voltage	600V AC		600V AC		600V AC		600V AC		
<b>Horsepower Rating /HP</b>	1 Phase	3 Phase	1 Phase	3 Phase	1 Phase	3 Phase	1 Phase	3 Phase	
	120V AC	3	—	3	—	5	—	5	—
	240V AC	7.5	20	7.5	20	10	25	10	25
	480V AC	—	40	—	40	—	50	—	50
	600V AC	—	60	—	60	—	75	—	75
<b>Short Circuit Withstand Rating at 600 V</b>	50 kA/60 A Class J		50 kA/60 A Class J		50 kA/100 A Class J		50 kA/100 A Class J		
<b>Terminal Size Acceptability</b> (Cu Conductors only, 75°C)	8-1/0 AWG		8-1/0 AWG		8-1/0 AWG		8-1/0 AWG		
<b>Terminal Torque</b>	65lb. in. (6.0 Nm)		65lb. in. (6.0 Nm)		65lb. in. (6.0 Nm)		65lb. in. (6.0 Nm)		
<b>Screw Head Type</b>	4mm Allen Key		4mm Allen Key		4mm Allen Key		4mm Allen Key		
<b>Dimensions &amp; Size</b>	TR01		TR01		TR02		TR02		

(to convert to inches multiply by 0.03937)



<b>Weight</b>	4.3 kg	4.4 kg	9.7 kg	9.8 kg
---------------	--------	--------	--------	--------

### Suitable Accessories

#### AUXILIARY SWITCHES



Cat. No.	1.V160KU	2.V160KU
<b>No. if Contacts</b>	1n.o./1n.c.	2n.o./2n.c.
<b>Electrical Rating</b>	16 A/1/2HP/125-250V AC	

\* 6 and 8 pole versions along with changeover version available upon request.

## UL98 Motor Disconnect Switch - Stainless Steel Enclosure

- Can be used locally at the motor
- UL Type 4X
- Ideal where chemicals are used for cleaning and maintenance such as food processing and breweries
- Mining is another application area
- Stainless Steel (Grade AISI 316)
- Corrosion Resistant
- IEC IP65 Protection Level
- Lockable - Defeatable Handle

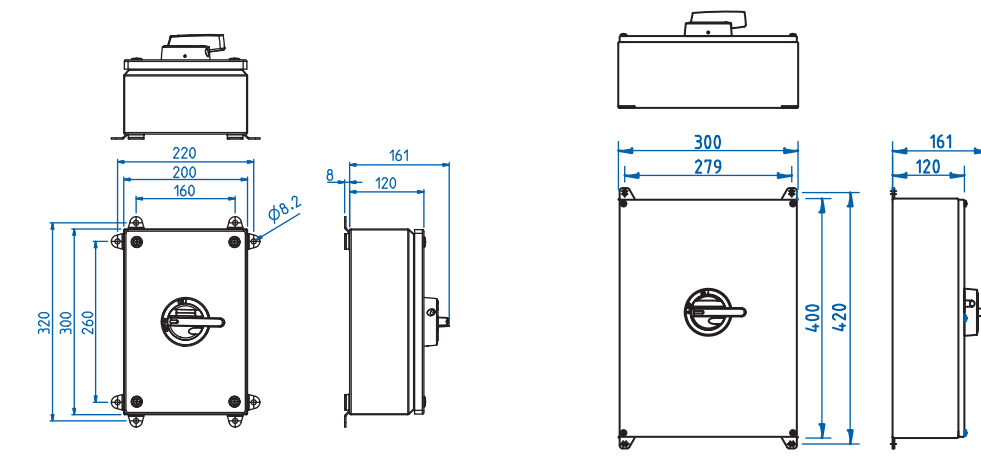


All Models are lockable with up to 3 padlocks.



Catalog Number	KER360UL98 Y/R KER360UL98		KER460UL98 Y/R KER460UL98		KER3100UL98 Y/R KER3100UL98		KER4100UL98 Y/R KER4100UL98		
No. of Poles*	3		4		3		4		
General Purpose Current	60 A		60 A		100 A		100 A		
Maximum Voltage	600V AC		600V AC		600V AC		600V AC		
<b>Horsepower Rating /HP</b>	1 Phase	3 Phase	1 Phase	3 Phase	1 Phase	3 Phase	1 Phase	3 Phase	
	120V AC	3	—	3	—	5	—	5	—
	240V AC	7.5	20	7.5	20	10	25	10	25
	480V AC	—	40	—	40	—	50	—	50
	600V AC	—	60	—	60	—	75	—	75
<b>Short Circuit Withstand Rating at 600 V</b>	50 kA/60 A Class J		50 kA/60 A Class J		50 kA/100 A Class J		50 kA/100 A Class J		
<b>Terminal Size Acceptability</b> (Cu Conductors only, 75°C)	8-1/0 AWG		8-1/0 AWG		8-1/0 AWG		8-1/0 AWG		
<b>Terminal Torque</b>	65lb. in. (6.0 Nm)		65lb. in. (6.0 Nm)		65lb. in. (6.0 Nm)		65lb. in. (6.0 Nm)		
<b>Screw Head Type</b>	4mm Allen Key		4mm Allen Key		4mm Allen Key		4mm Allen Key		
<b>Dimensions &amp; Size</b>	H01		H01		H02		H02		

(to convert to inches multiply by 0.03937)



<b>Weight</b>	3.3 kg	3.4 kg	6.9 kg	7.0 kg
---------------	--------	--------	--------	--------

### Suitable Accessories

#### AUXILIARY SWITCHES



Cat. No.	1.V160KU	2.V160KU
<b>No. if Contacts</b>	1n.o./1n.c.	2n.o./2n.c.
<b>Electrical Rating</b>	16 A/1/2HP/125-250V AC	

\* 6 and 8 pole versions along with changeover version available upon request.

## UL98 Motor Disconnect Switch - Extended

- Every design is lockable in OFF position
- Switching mechanism speed is independent from the operator
- Silver contacts ensure safe and durable operation

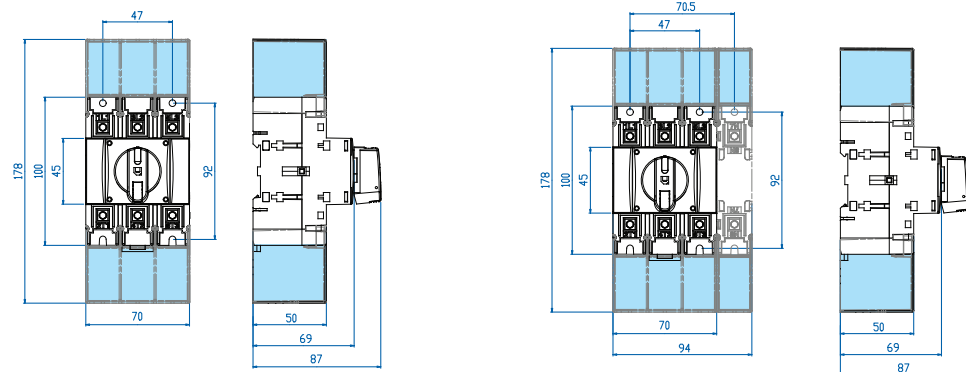


4 Pole disconnect switch shown with optional 3 pole touch protector

Catalog Number	KU360UL98		KU3100UL98		KU460UL98		KU4100UL98		
No. of Poles*	3		3		4		4		
General Purpose Current	60 A		100 A		60 A		100 A		
Maximum Voltage	600V AC		600V AC		600V AC		600V AC		
<b>Horsepower Rating /HP</b>	1 Phase	3 Phase	1 Phase	3 Phase	1 Phase	3 Phase	1 Phase	3 Phase	
	120V AC	3	—	5	—	3	—	5	—
	240V AC	7½	20	10	25	7½	20	10	25
	480V AC	—	40	—	50	—	40	—	50
	600V AC	—	60	—	75	—	60	—	75
<b>Short Circuit Withstand Rating at 600 V</b>	50 kA/60 A Class J		50 kA/60 A Class J		50 kA/60 A Class J		50 kA/60 A Class J		
<b>Terminal Size Acceptability</b> (Cu Conductors only, 75°C)	8-1/0 AWG		8-1/0 AWG		8-1/0 AWG		8-1/0 AWG		
<b>Terminal Torque</b>	65lb. in. (6.0 Nm)		65lb. in. (6.0 Nm)		65lb. in. (6.0 Nm)		65lb. in. (6.0 Nm)		
<b>Screw Head Type</b>	4mm Allen Key		4mm Allen Key		4mm Allen Key		4mm Allen Key		
<b>Dimensions</b>									

(to convert to inches multiply by 0.03937)

NOTE: Optional touch protectors shown in light blue.



<b>Weight</b>	0.45 kg	0.45 kg	0.59 kg	0.59 kg
---------------	---------	---------	---------	---------

### Suitable Accessories

#### DOOR INTERLOCK HANDLES

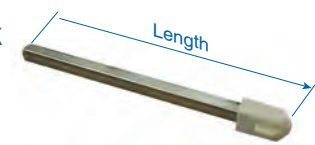


Lockable with up to 3 padlocks.

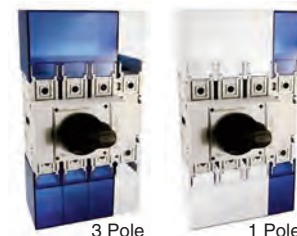
Lockable with up to 3 padlocks.

Cat. No.	LK10 UL	LK10 Y/R UL	LK11 U	LK11 Y/R U
<b>Environmental Rating UL (IEC)</b>	UL Type 4X (IP66)		UL Type 4X (IP67)	
<b>Color</b>	Black	Yellow/Red	Black	Yellow/Red

#### DOOR INTERLOCK SHAFT



Cat. No.	L100 AD11-ST	L200 AD11-ST	L300AD11-ST
<b>Length (L)</b>	100 mm	200 mm	300 mm
<b>Material</b>	Steel	Steel	Steel



#### BLUE TOUCH PROTECTOR

Cat. No.	LS/VS 160 3P	LS/VS N160
<b>Poles</b>	3	1

\* 6 and 8 pole versions along with changeover version available upon request.

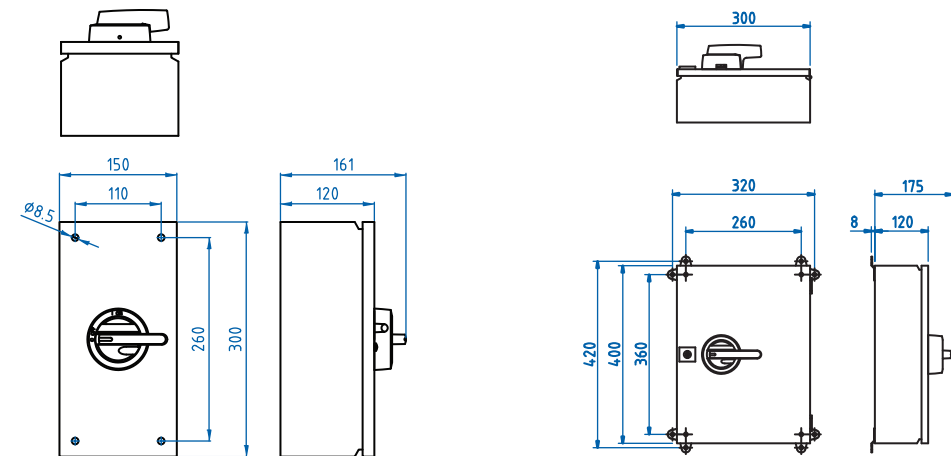
## UL98 Motor Disconnect Switch - Sheet Metal Enclosure

- Can be used locally at the motor
- UL Type 4
- Excellent in harsh weather conditions
- Resistant to many chemicals
- Corrosion and UV resistant
- IEC IP65 Protection Level
- Lockable - Defeatable Handle



Catalog Number	KET360UL98 Y/R KET360UL98		KET460UL98 Y/R KET460UL98		KET3100UL98 Y/R KET3100UL98		KET4100UL98 Y/R KET4100UL98		
No. of Poles*	3		4		3		4		
General Purpose Current	60 A		60 A		100 A		100 A		
Maximum Voltage	600V AC		600V AC		600V AC		600V AC		
<b>Horsepower Rating /HP</b>	1 Phase	3 Phase	1 Phase	3 Phase	1 Phase	3 Phase	1 Phase	3 Phase	
	120V AC	3	—	3	—	5	—	5	—
	240V AC	7.5	20	7.5	20	10	25	10	25
	480V AC	—	40	—	40	—	50	—	50
	600V AC	—	60	—	60	—	75	—	75
<b>Short Circuit Withstand Rating at 600 V</b>	50 kA/60 A Class J		50 kA/60 A Class J		50 kA/100 A Class J		50 kA/100 A Class J		
<b>Terminal Size Acceptability</b> (Cu Conductors only, 75°C)	8-1/0 AWG		8-1/0 AWG		8-1/0 AWG		8-1/0 AWG		
<b>Terminal Torque</b>	65lb. in. (6.0 Nm)		65lb. in. (6.0 Nm)		65lb. in. (6.0 Nm)		65lb. in. (6.0 Nm)		
<b>Screw Head Type</b>	4mm Allen Key		4mm Allen Key		4mm Allen Key		4mm Allen Key		
<b>Dimensions &amp; Size</b>	TR01		TR01		TR02		TR02		

(to convert to inches multiply by 0.03937)



<b>Weight</b>	4.3 kg	4.4 kg	9.7 kg	9.8 kg
---------------	--------	--------	--------	--------

### Suitable Accessories

#### AUXILIARY SWITCHES



Cat. No.	1.V160KU	2.V160KU
<b>No. if Contacts</b>	1n.o./1n.c.	2n.o./2n.c.
<b>Electrical Rating</b>	16 A/1/2HP/125-250V AC	

\* 6 and 8 pole versions along with changeover version available upon request.

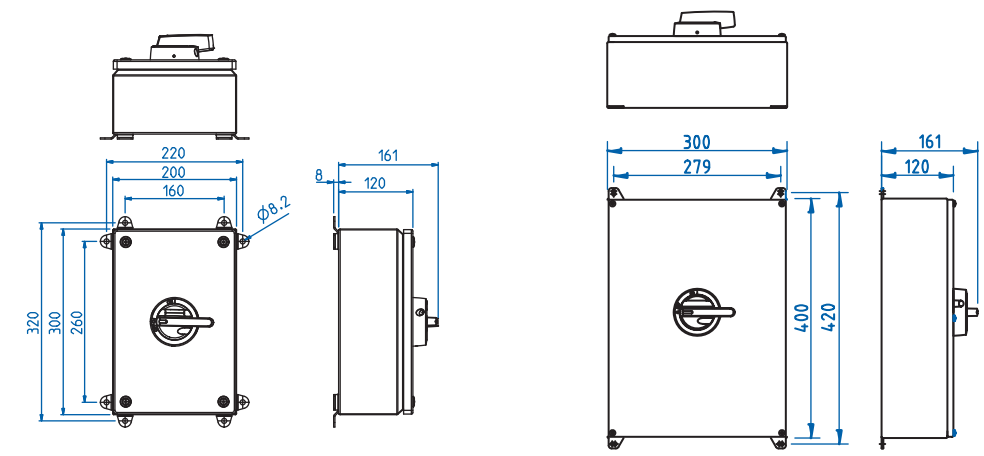
## UL98 Motor Disconnect Switch - Stainless Steel Enclosure

- Can be used locally at the motor
- UL Type 4X
- Ideal where chemicals are used for cleaning and maintenance such as food processing and breweries
- Mining is another application area
- Stainless Steel (Grade AISI 316)
- Corrosion Resistant
- IEC IP65 Protection Level
- Lockable - Defeatable Handle



Catalog Number	KER360UL98 Y/R KER360UL98		KER460UL98 Y/R KER460UL98		KER3100UL98 Y/R KER3100UL98		KER4100UL98 Y/R KER4100UL98		
No. of Poles*	3		4		3		4		
General Purpose Current	60 A		60 A		100 A		100 A		
Maximum Voltage	600V AC		600V AC		600V AC		600V AC		
<b>Horsepower Rating /HP</b>	1 Phase	3 Phase	1 Phase	3 Phase	1 Phase	3 Phase	1 Phase	3 Phase	
	120V AC	3	—	3	—	5	—	5	—
	240V AC	7.5	20	7.5	20	10	25	10	25
	480V AC	—	40	—	40	—	50	—	50
	600V AC	—	60	—	60	—	75	—	75
<b>Short Circuit Withstand Rating at 600 V</b>	50 kA/60 A Class J		50 kA/60 A Class J		50 kA/100 A Class J		50 kA/100 A Class J		
<b>Terminal Size Acceptability</b> (Cu Conductors only, 75°C)	8-1/0 AWG		8-1/0 AWG		8-1/0 AWG		8-1/0 AWG		
<b>Terminal Torque</b>	65lb. in. (6.0 Nm)		65lb. in. (6.0 Nm)		65lb. in. (6.0 Nm)		65lb. in. (6.0 Nm)		
<b>Screw Head Type</b>	4mm Allen Key		4mm Allen Key		4mm Allen Key		4mm Allen Key		
<b>Dimensions &amp; Size</b>	H01		H01		H02		H02		

(to convert to inches multiply by 0.03937)



<b>Weight</b>	3.3 kg	3.4 kg	6.9 kg	7.0 kg
---------------	--------	--------	--------	--------

### Suitable Accessories

#### AUXILIARY SWITCHES



Cat. No.	1.V160KU	2.V160KU
<b>No. if Contacts</b>	1n.o./1n.c.	2n.o./2n.c.
<b>Electrical Rating</b>	16 A/1/2HP/125-250V AC	

\* 6 and 8 pole versions along with changeover version available upon request.

## UL98 Motor Disconnect Switch - Polycarbonate Enclosure

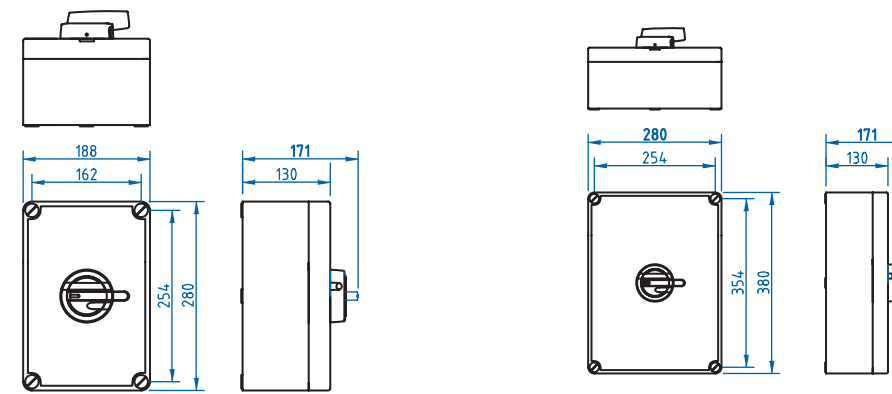
- Can be used locally at the motor
- UL Type 4X
- IEC IP65 Protection Level
- UV resistant
- Resistant to many chemicals
- Lockable - Defeatable Handle



UL US CE All Models are lockable with up to 3 padlocks.

Catalog Number	KEM360UL98 Y/R KEM360UL98		KEM460UL98 Y/R KEM460UL98		KEM3100UL98 Y/R KEM3100UL98		KEM4100UL98 Y/R KEM4100UL98	
No. of Poles*	3		4		3		4	
General Purpose Current	60 A		60 A		100 A		100 A	
Maximum Voltage	600V AC		600V AC		600V AC		600V AC	
<b>Horsepower Rating /HP</b>	1 Phase	3 Phase	1 Phase	3 Phase	1 Phase	3 Phase	1 Phase	3 Phase
120V AC	3	-	3	-	5	-	5	-
240V AC	7.5	20	7.5	20	10	25	10	25
480V AC	-	40	-	40	-	50	-	50
600V AC	-	60	-	60	-	75	-	75
<b>Short Circuit Withstand Rating at 600 V</b>	50 kA/60 A Class J		50 kA/60 A Class J		50 kA/100 A Class J		50 kA/100 A Class J	
<b>Terminal Size Acceptability</b> (Cu Conductors only, 75°C)	8-1/0 AWG		8-1/0 AWG		8-1/0 AWG		8-1/0 AWG	
<b>Terminal Torque</b>	65lb. in. (6.0 Nm)		65lb. in. (6.0 Nm)		65lb. in. (6.0 Nm)		65lb. in. (6.0 Nm)	
<b>Screw Head Type</b>	4mm Allen Key		4mm Allen Key		4mm Allen Key		4mm Allen Key	
<b>Dimensions &amp; Size</b>	MF10		MF10		MF11UL		MF11UL	

(to convert to inches multiply by 0.03937)



Weight	2.4 kg	3.3 kg	2.5 kg	3.4 kg
--------	--------	--------	--------	--------

### Suitable Accessories



Cat. No.	1.V160KU	2.V160KU
No. of Contacts	1n.o./1n.c.	2n.o./2n.c.
Electrical Rating	16 A/1/2HP/125-250V AC	

\* 6 and 8 pole versions along with changeover version available upon request.



## We have a full line of High Quality Disconnect Switches & Accessories.

### FEATURES AND BENEFITS:

- One of the smallest 80 A switches in the industry
- Advanced switch technology (use of silver contacts ensures safe and durable operation)
- Across the line, motor starting - up to 75 hp/600 V
- General Use Rating - 16 A to 150 A/600 V
- Available as rotary switches for extended or direct handle applications
- Toggle switches
- Non-fused switch
- Short Circuit Withstand Rating of 10 kA with back-up fuse
- DIN Rail and panel mount available
- Comprehensive range of accessories
- Snap on auxiliary contacts
- Enclosed switches have UL Listed Type 4 and/or 4X rating; watertight
- Operating temperature is -20°C to +40°C

Altech Corporation  
35 Royal Road  
Flemington, NJ 08822-6000  
P 908.806.9400 • F 908.806.9490  
www.altechcorp.com



Altech Corp.® 444UL98-2000  
Printed June 2019



## UL60947-4-1A (Formerly UL508) Listed Manual Motor Controllers

with Disconnecting Means



AC Motor Across-The-Line  
AC General Use

# Altech Corp.®



Quality Endorsed Company



## UL98 Disconnect Switches

## UL98 Motor Disconnect Switch - Polycarbonate Enclosure

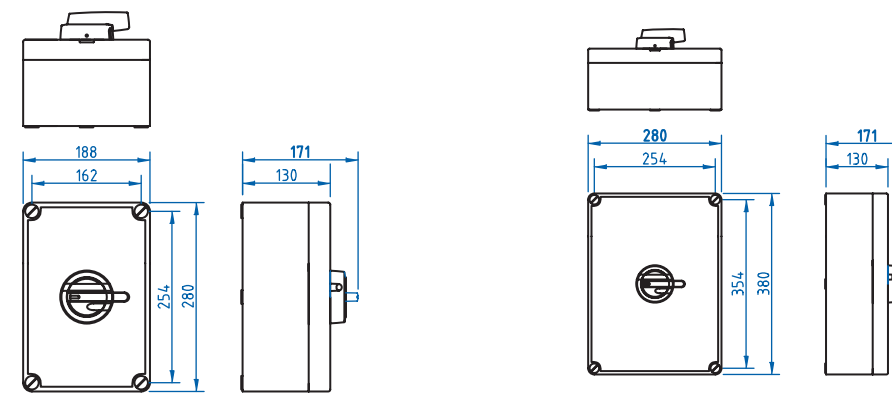
- Can be used locally at the motor
- UL Type 4X
- IEC IP65 Protection Level
- UV resistant
- Resistant to many chemicals
- Lockable - Defeatable Handle



UL US CE All Models are lockable with up to 3 padlocks.

Catalog Number	KEM360UL98 Y/R KEM360UL98		KEM460UL98 Y/R KEM460UL98		KEM3100UL98 Y/R KEM3100UL98		KEM4100UL98 Y/R KEM4100UL98	
No. of Poles*	3		4		3		4	
General Purpose Current	60 A		60 A		100 A		100 A	
Maximum Voltage	600V AC		600V AC		600V AC		600V AC	
<b>Horsepower Rating /HP</b>	1 Phase	3 Phase	1 Phase	3 Phase	1 Phase	3 Phase	1 Phase	3 Phase
120V AC	3	-	3	-	5	-	5	-
240V AC	7.5	20	7.5	20	10	25	10	25
480V AC	-	40	-	40	-	50	-	50
600V AC	-	60	-	60	-	75	-	75
<b>Short Circuit Withstand Rating at 600 V</b>	50 kA/60 A Class J		50 kA/60 A Class J		50 kA/100 A Class J		50 kA/100 A Class J	
<b>Terminal Size Acceptability</b> (Cu Conductors only, 75°C)	8-1/0 AWG		8-1/0 AWG		8-1/0 AWG		8-1/0 AWG	
<b>Terminal Torque</b>	65lb. in. (6.0 Nm)		65lb. in. (6.0 Nm)		65lb. in. (6.0 Nm)		65lb. in. (6.0 Nm)	
<b>Screw Head Type</b>	4mm Allen Key		4mm Allen Key		4mm Allen Key		4mm Allen Key	
<b>Dimensions &amp; Size</b>	MF10		MF10		MF11UL		MF11UL	

(to convert to inches multiply by 0.03937)



Weight	2.4 kg	3.3 kg	2.5 kg	3.4 kg
--------	--------	--------	--------	--------

### Suitable Accessories



Cat. No.	1.V160KU	2.V160KU
No. of Contacts	1n.o./1n.c.	2n.o./2n.c.
Electrical Rating	16 A/1/2HP/125-250V AC	

\* 6 and 8 pole versions along with changeover version available upon request.



## We have a full line of High Quality Disconnect Switches & Accessories.

### FEATURES AND BENEFITS:

- One of the smallest 80 A switches in the industry
- Advanced switch technology (use of silver contacts ensures safe and durable operation)
- Across the line, motor starting - up to 75 hp/600 V
- General Use Rating - 16 A to 150 A/600 V
- Available as rotary switches for extended or direct handle applications
- Toggle switches
- Non-fused switch
- Short Circuit Withstand Rating of 10 kA with back-up fuse
- DIN Rail and panel mount available
- Comprehensive range of accessories
- Snap on auxiliary contacts
- Enclosed switches have UL Listed Type 4 and/or 4X rating; watertight
- Operating temperature is -20°C to +40°C

Altech Corporation  
35 Royal Road  
Flemington, NJ 08822-6000  
P 908.806.9400 • F 908.806.9490  
www.altechcorp.com



Altech Corp.® 444UL98-2000  
Printed June 2019



## UL60947-4-1A (Formerly UL508) Listed Manual Motor Controllers

with Disconnecting Means



AC Motor Across-The-Line  
AC General Use

# Altech Corp.®

Quality System  
Quality Endorsed Company



## UL98 Disconnect Switches

## Looking for pricing, stock, or lifecycle information?

Click below to explore more details on WIN SOURCE:

 [View KET460UL98](#) on WIN SOURCE

 [Altech corporation](#) Information

## Optimize Your Supply Chain with WIN SOURCE Solutions

-  Global Sourcing Solution
-  Obsolete Management
-  Cost Control Management
-  Shortage Management
-  Alternative Solution
-  Excess Inventory Management