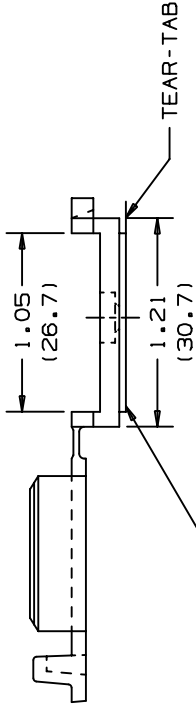
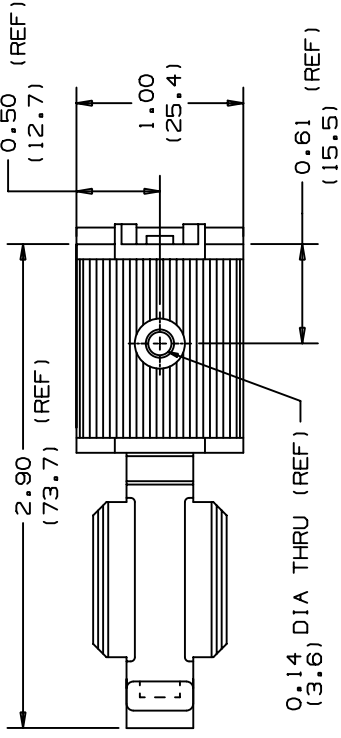




# THE DATASHEET OF FCM1-A-T14



THIS COPY IS PROVIDED ON A RESTRICTED BASIS AND IS NOT TO BE USED IN ANY WAY DETRIMENTAL TO THE INTERESTS OF

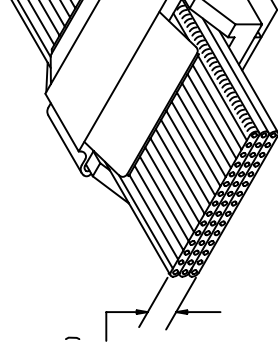


(REF)  
0.17 (4.3)  
MAXIMUM  
STACKING  
HEIGHT

ADHESIVE TAPE: PRESSURE SENSITIVE FOAM  
0.040 (1.02) THICK WITH RUBBER ADHESIVE  
AND PROTECTIVE LINER. MOUNT IS DESIGNED  
TO SUPPORT 50 lbs. (2279) MAXIMUM WEIGHT  
ON A CLEAN, DRY, SMOOTH, GREASE-FREE  
SURFACE.

**NOTES:**

1. SEE CURRENT PRICE SHEET FOR PART NUMBER SUFFIX DESIGNATION FOR PACKAGE SIZE AND PART COLOR.
  2. TO APPLY ADHESIVE MOUNT:
    - a) REMOVE PROTECTIVE LINER;
    - b) PLACE IN DESIRED LOCATION;
    - c) APPLY PRESSURE TO TOP OF MOUNT.
  3. (-A) REPRESENTS ADHESIVE MOUNT.
- NO WARRANTY, EXPRESSED OR IMPLIED, IS MADE BY PANDUIT WITH RESPECT TO ADHESIVE BOND PERFORMANCE. AMONG OTHER THINGS, THE CONDITIONS UNDER WHICH THESE MOUNTS MAY BE APPLIED AND/OR SURFACE TO WHICH THEY MAY BE APPLIED ARE BEYOND PANDUIT'S CONTROL.



PANDUIT PART No.	MATERIAL	REC'M. SCREW FASTENER
FCM1-A	NYLON 6/6	N/A
FCM1-S6	SEE NOTE 1	#6 (M3) SCREW OR BUTTON HEAD
FCM1-S6--30	HEAT STABILIZED BLACK NYLON	

**NOTES:**

1. SEE CURRENT PRICE SHEET FOR PART NUMBER SUFFIX DESIGNATION FOR PACKAGE SIZE AND PART COLOR.
2. TO APPLY ADHESIVE MOUNT:
  - a) REMOVE PROTECTIVE LINER;
  - b) PLACE IN DESIRED LOCATION;
  - c) APPLY PRESSURE TO TOP OF MOUNT.
3. (-A) REPRESENTS ADHESIVE MOUNT.

NO WARRANTY, EXPRESSED OR IMPLIED, IS MADE BY PANDUIT WITH RESPECT TO ADHESIVE BOND PERFORMANCE. AMONG OTHER THINGS, THE CONDITIONS UNDER WHICH THESE MOUNTS MAY BE APPLIED AND/OR SURFACE TO WHICH THEY MAY BE APPLIED ARE BEYOND PANDUIT'S CONTROL.

(DIMENSIONS IN PARENTHESES)  
CAD FILENAME/LAYERS G002396R\_L\_F



1 INCH FLAT (FCM1-  
---

UNLESS OTHERWISE SPECIFIED:  
DIMENSIONAL TOLERANCES ARE:  
(-X) ±N/A  
(+XXX) ±N/A  
(.XX) ±.020(.5) ANGLES ±5°

DRAWN BY JAD  
DATE 8/14/00  
CHK'D

SEE TABLE

2	7/24/01	LG6	UPDATED FOR WEB	GB02396R	2
1	9-1-00	CGSM	ADDED DIA THRU HOLE REF DIMENSION	GB02396R	1
R	8/14/00	JAD	INITIAL RELEASE, REPLACES SS-15493 RV.1	GB02396R	R
REV	DATE	BY	DESCRIPTION	ECN	R - R
		CHK			SUP

## Looking for pricing, stock, or lifecycle information?

Click below to explore more details on WIN SOURCE:

 [View FCM1-A-T14 on WIN SOURCE](#)

 [Panduit Corp](#) Information

## Optimize Your Supply Chain with WIN SOURCE Solutions

-  Global Sourcing Solution
-  Obsolete Management
-  Cost Control Management
-  Shortage Management
-  Alternative Solution
-  Excess Inventory Management