

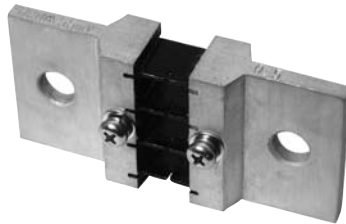
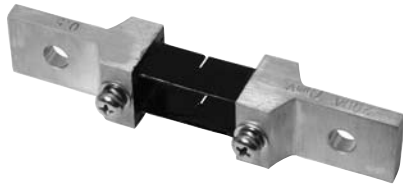


**THE DATASHEET OF  
SHT1-500C075DE**



# S Series

## High Current Shunts



### FEATURES

- 100-1200A ratings
- 60mv and 75mv versions
- 0.5% accuracy class
- Manganin (6J13) plate resistive element construction
- T, L, and DIN type terminals
- H59-1 (UNS 37700) Brass Terminal Construction

### SERIES SPECIFICATIONS

Series	Terminal Type	Construction	Rated Current	Voltage (mV)	Accuracy Class
SHD1-100C060DE	DIN	Plate	100	60	0.50%
SHT1-250C060DE	T	Plate	250	60	0.50%
SHL1-600C060DE	L	Plate	600	60	0.50%
SHL1-1K2C060DE	L	Plate	1200	60	0.50%
SHD1-100C075DE	DIN	Plate	100	75	0.50%
SHT1-200C075DE	T	Plate	200	75	0.50%
SHT1-500C075DE	T	Plate	500	75	0.50%
SHL1-1K0C075DE	L	Plate	1000	75	0.50%
SHT1-500C100DE	T	Plate	500	100	0.50%

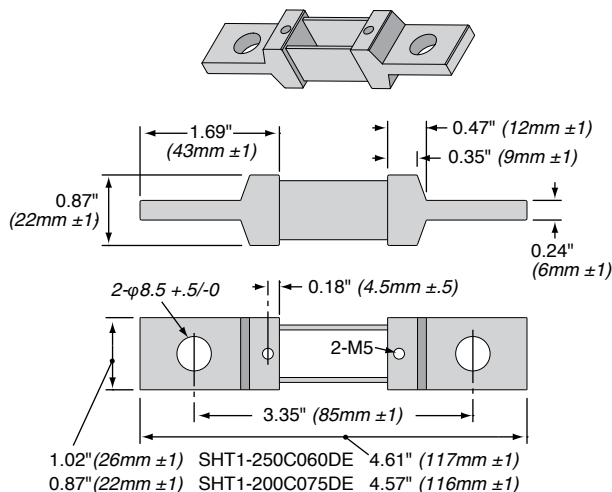
### CHARACTERISTICS

<b>Terminal Surface Coating</b>	Acid Wash and Passivation
<b>Resistor plate surface coating</b>	Acid Wash and Passivation
<b>Method of measurement</b>	Null Balance Resistance Bridge
<b>National standard</b>	GB/T7676-1998 (Direct acting indicating analog electrical measuring instruments and their accessories)
<b>Safety standard</b>	IEC610101-1: 1890 (Safety requirements for electrical equipment for measurement, control, and laboratory use-Part I: General requirements)
<b>Environmental standard</b>	SJ/T11363-2006 (Requirements for concentration limits for certain hazardous substances in electronic information products)
<b>Derating</b>	linearly from 25°C to 85°C

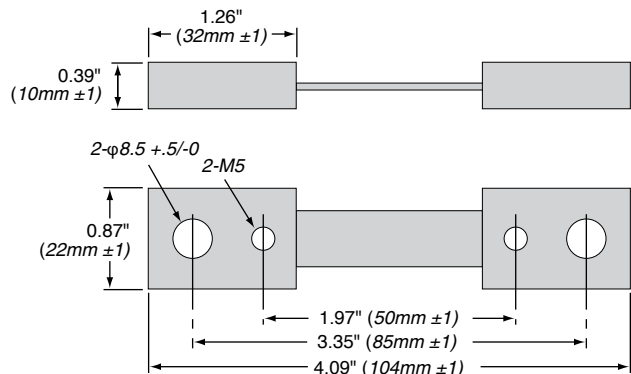
### DIMENSIONS

in./mm

SHT1-250C060DE  
SHT1-200C075DE



SHD1-100C060DE  
SHD1-100C075DE



(continued)

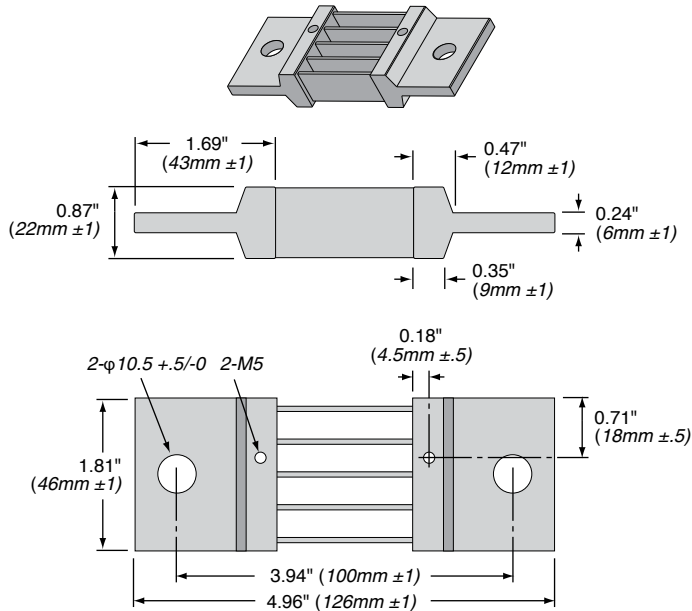
# S Series

## High Current Laboratory Shunts

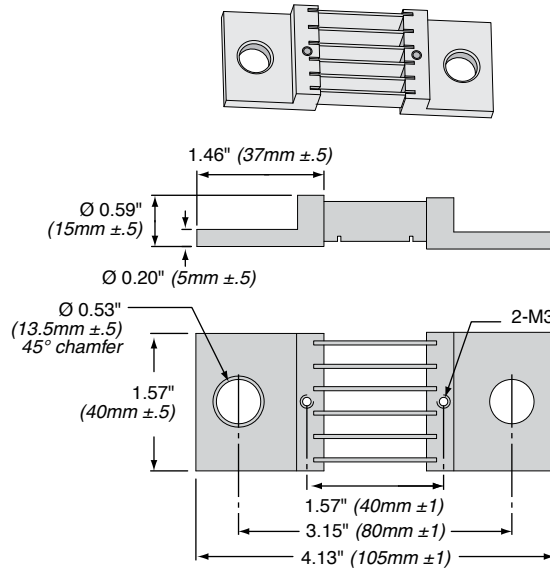
### DIMENSIONS

(continued) in./mm

#### SHT1-500C075DE

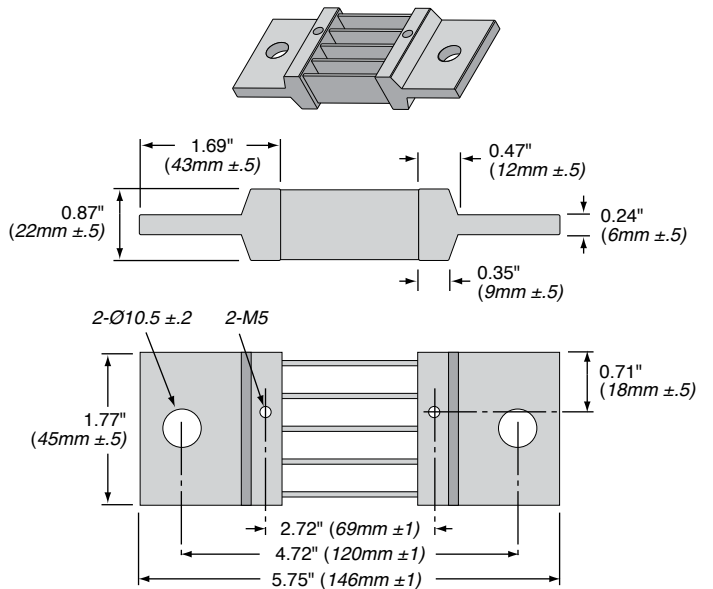
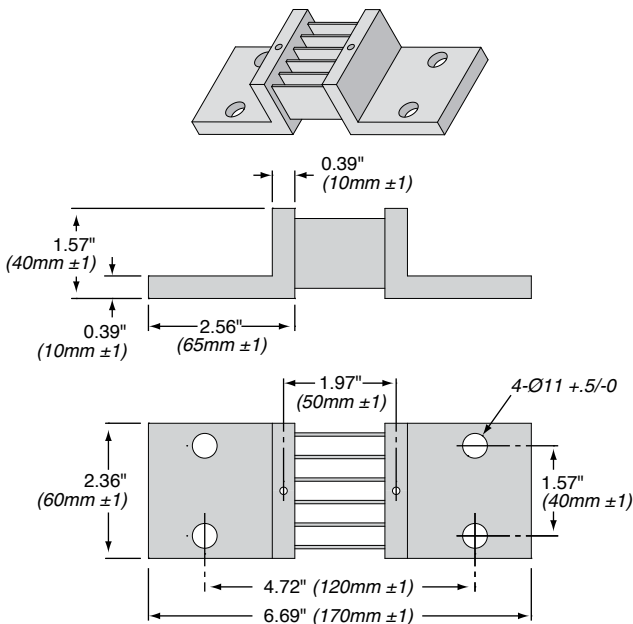


#### SHL1-600C060DE



#### SHT1-500C100DE

#### SHL1-1K2C060DE SHL1-1K0C075DE



### HOW TO ORDER

**Current**  
 1K0 = 1000 amps  
 500 = 500 amps  
 200 = 200 amps  
 100 = 100 amps

**RoHS Compliant**

**SHT1-1K0C075DE**

Series	Terminal Type	Terminal Material	mV	Tolerance
T	T-type	C = copper surface treatment (std.)	075 = 75mV	D = ±0.5%
D	DIN-type	N = nickel plating	025 = 25mV	F = ±1%
L	L-type		050 = 50mV	
			060 = 60mV	

## Looking for pricing, stock, or lifecycle information?

Click below to explore more details on WIN SOURCE:

 [View SHT1-500C075DE on WIN SOURCE](#)

 [Ohmite Information](#)

## Optimize Your Supply Chain with WIN SOURCE Solutions

-  Global Sourcing Solution
-  Obsolete Management
-  Cost Control Management
-  Shortage Management
-  Alternative Solution
-  Excess Inventory Management