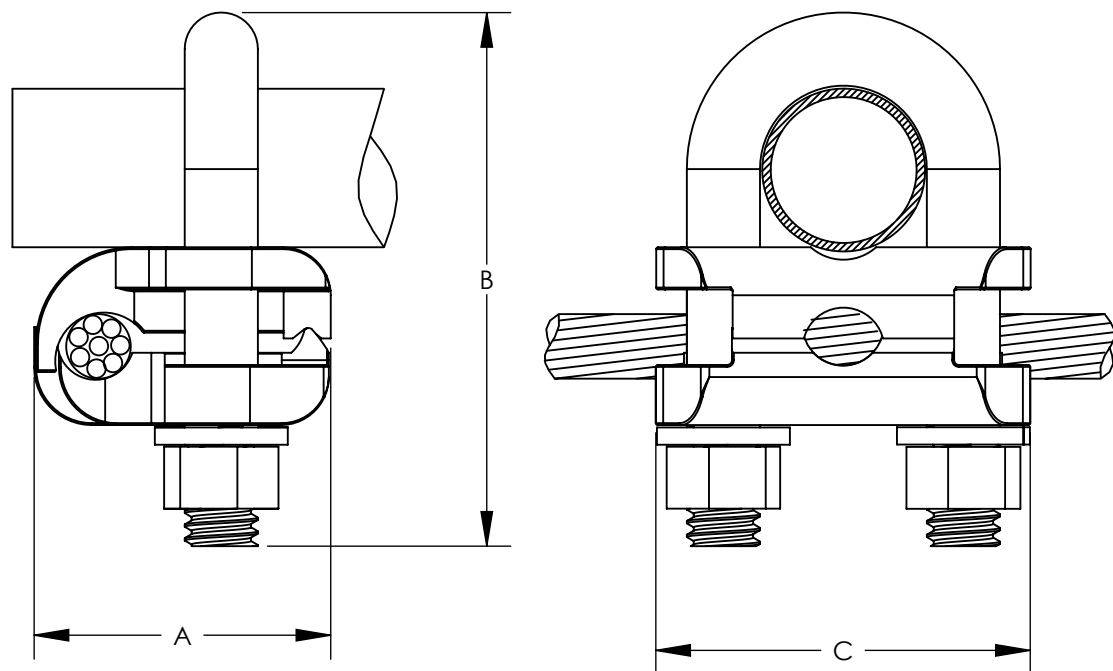




**THE DATASHEET OF**  
**GPL-39-3**





NOTES:

- MADE FROM HIGH COPPER CONTENT ALLOY. FURNISHED WITH FULL THREADED SILICON BOLT, NUTS, AND LOCKWASHERS
- THESE CONNECTORS ARE UL LISTED FOR GROUNDING AND BONDING, AND DIRECT BURIAL APPLICATIONS  
**NOTE: PARTS WITH A WIRE RANGE ABOVE 250 kcmil ARE NOT UL LISTED**

3. PKG QTY: -Q = 25  
 -X = 10  
 -3 = 3  
 -1 = 1

PANDUIT PART NUMBER	ROD DIA	NOMINAL PIPE SIZE (IPS)	CONDUCTOR RANGE	DIMENSIONS - IN [mm] ±.08 [2.0]			BOLT DIA	WRENCH SIZE
				A	B	C		
GPL-4-Q	5/8" OR 3/4"	3/8"	#8 SOL - #4 STR	1.38 [34]	2.75 [70]	2.00 [51]	3/8"	9/16"
GPL-5-Q	5/8" OR 3/4"	3/8"	#4 SOL - 2/0 STR	1.63 [41]	2.75 [70]	2.00 [51]	3/8"	9/16"
GPL-6-Q	5/8" OR 3/4"	3/8"	2/0 SOL - 250 kcmil	1.88 [47]	2.75 [70]	2.00 [51]	3/8"	9/16"
GPL-8-Q	7/8" OR 1"	1/2" OR 3/4"	#8 SOL - #4 STR	1.38 [34]	2.63 [67]	2.38 [60]	3/8"	9/16"
GPL-9-Q	7/8" OR 1"	1/2" OR 3/4"	#4 SOL - 2/0 STR	1.63 [41]	2.63 [67]	2.38 [60]	3/8"	9/16"
GPL-10-Q	7/8" OR 1"	1/2" OR 3/4"	2/0 SOL - 250 kcmil	1.88 [47]	3.31 [84]	2.38 [60]	3/8"	9/16"
GPL-14-X	----	1"	#8 SOL - #4 STR	1.38 [34]	2.75 [70]	2.63 [67]	3/8"	9/16"
GPL-15-X	----	1"	#4 SOL - 2/0 STR	1.63 [41]	2.75 [70]	2.63 [67]	3/8"	9/16"
GPL-16-X	----	1"	2/0 SOL - 250 kcmil	1.88 [47]	3.25 [82]	2.63 [67]	3/8"	9/16"
GPL-20-X	----	1-1/4"	#8 SOL - #4 STR	1.38 [34]	3.50 [89]	3.00 [76]	3/8"	9/16"
GPL-21-X	----	1-1/4"	#4 SOL - 2/0 STR	1.63 [41]	3.50 [89]	3.00 [76]	3/8"	9/16"
GPL-22-X	----	1-1/4"	2/0 SOL - 250 kcmil	1.88 [47]	3.50 [89]	3.00 [76]	3/8"	9/16"
GPL-26-X	----	1-1/2"	#8 SOL - #4 STR	1.38 [34]	4.00 [102]	3.25 [82]	3/8"	9/16"
GPL-27-X	----	1-1/2"	#4 SOL - 2/0 STR	1.63 [41]	4.00 [102]	3.25 [82]	3/8"	9/16"
GPL-28-X	----	1-1/2"	2/0 SOL - 250 kcmil	1.88 [47]	4.00 [102]	3.25 [82]	3/8"	9/16"
GPL-29-1	----	1-1/2"	300 kcmil - 500 kcmil	2.31 [59]	4.73 [120]	3.54 [90]	1/2"	3/4"
GPL-32-3	----	2"	#8 SOL - #4 STR	1.38 [34]	4.25 [108]	3.75 [95]	3/8"	9/16"
GPL-33-3	----	2"	#4 SOL - 2/0 STR	1.63 [41]	4.25 [108]	3.75 [95]	3/8"	9/16"
GPL-34-3	----	2"	2/0 SOL - 250 kcmil	1.88 [47]	4.50 [114]	3.75 [95]	3/8"	9/16"
GPL-35-1	----	2"	300 kcmil - 500 kcmil	2.30 [58]	5.45 [138]	4.01 [102]	1/2"	3/4"
GPL-38-1	----	2-1/2"	#8 SOL - #4 STR	1.44 [37]	4.47 [114]	4.15 [105]	3/8"	9/16"
GPL-39-3	----	2-1/2"	#4 SOL - 2/0 STR	1.63 [41]	5.00 [127]	4.25 [108]	3/8"	9/16"
GPL-40-3	----	2-1/2"	2/0 SOL - 250 kcmil	1.88 [47]	5.00 [127]	4.25 [108]	3/8"	9/16"
GPL-41-1	----	2-1/2"	300 kcmil - 500 kcmil	2.34 [59]	5.45 [138]	4.45 [113]	1/2"	3/4"
GPL-44-1	----	3"	#8 SOL - #4 STR	1.38 [34]	5.50 [140]	4.75 [121]	3/8"	9/16"
GPL-45-1	----	3"	#4 SOL - 2/0 STR	1.63 [41]	5.50 [140]	4.75 [121]	3/8"	9/16"
GPL-46-1	----	3"	2/0 SOL - 250 kcmil	1.88 [47]	5.50 [140]	4.75 [121]	3/8"	9/16"
GPL-47-1	----	3"	300 kcmil - 500 kcmil	2.37 [60]	6.33 [161]	5.18 [132]	1/2"	3/4"
GPL-51-1	----	3-1/2"	#4 SOL - 2/0 STR	1.63 [41]	6.25 [158]	5.25 [133]	3/8"	9/16"
GPL-52-1	----	3-1/2"	2/0 SOL - 250 kcmil	1.88 [47]	6.25 [158]	5.25 [133]	3/8"	9/16"
GPL-56-1	----	4"	#8 SOL - #4 STR	1.47 [37]	6.70 [170]	5.79 [147]	3/8"	9/16"
GPL-57-1	----	4"	#4 SOL - 2/0 STR	1.63 [41]	6.38 [161]	5.75 [146]	3/8"	9/16"
GPL-58-1	----	4"	2/0 SOL - 250 kcmil	1.88 [47]	6.38 [161]	5.75 [146]	3/8"	9/16"
GPL-59-1	----	4"	300 kcmil - 500 kcmil	2.32 [59]	7.38 [187]	6.18 [157]	1/2"	3/4"
GPL-68-1	----	5"	#8 SOL - #4 STR	1.06 [27]	5.61 [142]	6.85 [174]	3/8"	9/16"
GPL-69-1	----	5"	#4 SOL - 2/0 STR	1.59 [40]	5.63 [143]	6.91 [176]	3/8"	9/16"
GPL-70-1	----	5"	2/0 SOL - 250 kcmil	1.97 [50]	7.85 [199]	6.89 [175]	3/8"	9/16"
GPL-71-1	----	5"	300 kcmil - 500 kcmil	2.31 [59]	6.12 [155]	7.13 [181]	1/2"	3/4"





REV	DATE	BY	CHK	APR	DESCRIPTION	ECN
10	4/20	JHNU	JHNU	RGB	ADDED WRENCH SIZE TO TABLE	078765
09	7/19	JHNU	JHNU	RGB	REVISED DIMENSION B FOR GPL-34-3: 4.50 WAS 4.25	N41168BB-C41168
08	8/18	JHNU	JHNU	RGB	ADDED GPL-29-1, GPL-35-1, GPL-38-1, GPL-41-1, GPL-47-1, GPL-56-X, GPL-59-1, GPL-68-1, GPL-69-1, GPL-70-1, GPL-71-1	N41168BB-C41168
07	9/15	JHNU	JHNU	RGB	REVISED B DIMENSION FOR GPL-10-Q: 3.31 WAS 3.00	N41168BB-C41168
06	3/13	JHNU	JHNU	RGB	REVISED TITLE BLOCK	N41168BB-C41168

TITLE BRONZE GROUND CLAMP CONNECTOR - GPL SERIES CUSTOMER DRAWING						
ITEM REVISION NAME		N41168BB-C41168/10				
DATASET FILE NAME		C41168/10.SLDDRW				
UNLESS OTHERWISE SPECIFIED, DIMENSIONAL TOLERANCES ARE: IN [mm] .X ± .XXX ± .XX ± ANGLES ±						
DRAWN BY ED			DATE 10/95		CHK RS	
SCALE NONE			DRAWING NUMBER C41168_06		SHEET 1 OF 1	
						SIZE B

## Looking for pricing, stock, or lifecycle information?

Click below to explore more details on WIN SOURCE:

-  [View GPL-39-3 on WIN SOURCE](#)
-  [Panduit Corp Information](#)

## Optimize Your Supply Chain with WIN SOURCE Solutions

-  Global Sourcing Solution
-  Obsolete Management
-  Cost Control Management
-  Shortage Management
-  Alternative Solution
-  Excess Inventory Management