



THE DATASHEET OF CD4046BCN



CD4046BC Micropower Phase-Locked Loop

General Description

The CD4046BC micropower phase-locked loop (PLL) consists of a low power, linear, voltage-controlled oscillator (VCO), a source follower, a zener diode, and two phase comparators. The two phase comparators have a common signal input and a common comparator input. The signal input can be directly coupled for a large voltage signal, or capacitively coupled to the self-biasing amplifier at the signal input for a small voltage signal.

Phase comparator I, an exclusive OR gate, provides a digital error signal (phase comp. I Out) and maintains 90° phase shifts at the VCO center frequency. Between signal input and comparator input (both at 50% duty cycle), it may lock onto the signal input frequencies that are close to harmonics of the VCO center frequency.

Phase comparator II is an edge-controlled digital memory network. It provides a digital error signal (phase comp. II Out) and lock-in signal (phase pulses) to indicate a locked condition and maintains a 0° phase shift between signal input and comparator input.

The linear voltage-controlled oscillator (VCO) produces an output signal (VCO Out) whose frequency is determined by the voltage at the VCO_{IN} input, and the capacitor and resistors connected to pin C1_A, C1_B, R1 and R2.

The source follower output of the VCO_{IN} (demodulator Out) is used with an external resistor of 10 kΩ or more.

The INHIBIT input, when high, disables the VCO and source follower to minimize standby power consumption. The zener diode is provided for power supply regulation, if necessary.

Features

- Wide supply voltage range: 3.0V to 18V
- Low dynamic power consumption: 70 μW (typ.) at f_o = 10 kHz, V_{DD} = 5V
- VCO frequency: 1.3 MHz (typ.) at V_{DD} = 10V
- Low frequency drift: 0.06%/°C at V_{DD} = 10V with temperature
- High VCO linearity: 1% (typ.)

Applications

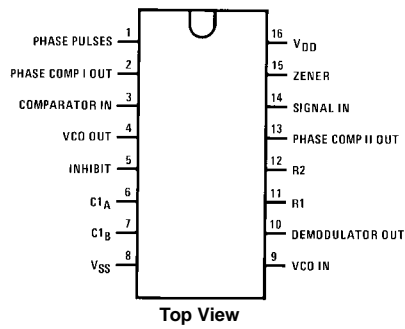
- FM demodulator and modulator
- Frequency synthesis and multiplication
- Frequency discrimination
- Data synchronization and conditioning
- Voltage-to-frequency conversion
- Tone decoding
- FSK modulation
- Motor speed control

Ordering Code:

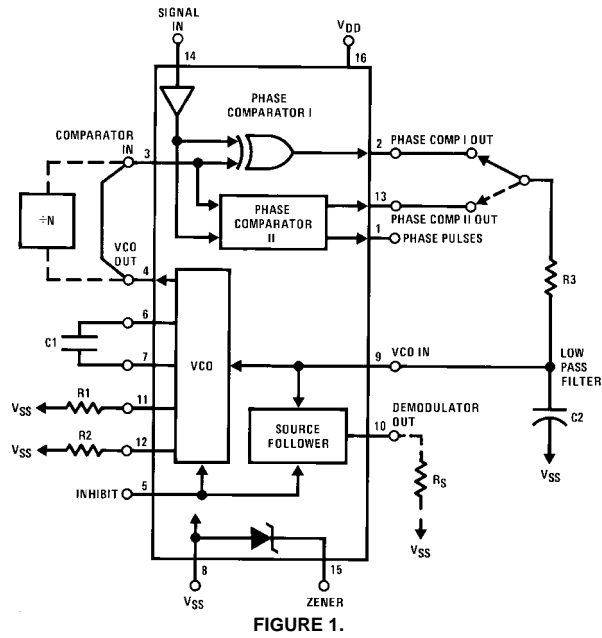
Order Number	Package Number	Package Description
CD4046BCM	M16A	16-Lead Small Outline Integrated Circuit (SOIC), JEDEC MS-012, 0.150" Narrow
CD4046BCN	N16E	16-Lead Plastic Dual-In-Line Package (PDIP), JEDEC MS-001, 0.300" Wide

Devices also available in Tape and Reel. Specify by appending the suffix letter "X" to the ordering code.

Connection Diagram



Block Diagram



Absolute Maximum Ratings(Note 1)

(Note 2)

DC Supply Voltage (V_{DD})	-0.5 to +18 V_{DC}
Input Voltage (V_{IN})	-0.5 to V_{DD} +0.5 V_{DC}
Storage Temperature Range (T_S)	-65°C to +150°C
Power Dissipation (P_D)	
Dual-In-Line	700 mW
Small Outline	500 mW
Lead Temperature (T_L)	
(Soldering, 10 seconds)	260°C

Recommended Operating Conditions (Note 2)

DC Supply Voltage (V_{DD})	3 to 15 V_{DC}
Input Voltage (V_{IN})	0 to V_{DD} V_{DC}
Operating Temperature Range (T_A)	-55°C to +125°C

Note 1: "Absolute Maximum Ratings" are those values beyond which the safety of the device cannot be guaranteed. They are not meant to imply that the devices should be operated at these limits. The table of "Recommended Operating Conditions" and "Electrical Characteristics" provides conditions for actual device operation.

Note 2: $V_{SS} = 0V$ unless otherwise specified.

DC Electrical Characteristics (Note 2)

Symbol	Parameter	Conditions	-55°C		+25°C			+125°C		Units
			Min	Max	Min	Typ	Max	Min	Max	
I_{DD}	Quiescent Device Current	Pin 5 = V_{DD} , Pin 14 = V_{DD} , Pin 3, 9 = V_{SS} $V_{DD} = 5V$ $V_{DD} = 10V$ $V_{DD} = 15V$		5	0.005	5		150		μA
		Pin 5 = V_{DD} , Pin 14 = Open, Pin 3, 9 = V_{SS} $V_{DD} = 5V$ $V_{DD} = 10V$ $V_{DD} = 15V$		45	5	35		185		
V_{OL}	LOW Level Output Voltage	$V_{DD} = 5V$		0.05	0	0.05		0.05	V	
		$V_{DD} = 10V$		0.05	0	0.05		0.05		
		$V_{DD} = 15V$		0.05	0	0.05		0.05		
V_{OH}	HIGH Level Output Voltage	$V_{DD} = 5V$	4.95		4.95	5		4.95	V	
		$V_{DD} = 10V$	9.95		9.95	10		9.95		
		$V_{DD} = 15V$	14.95		14.95	15		14.95		
V_{IL}	LOW Level Input Voltage Comparator and Signal In	$V_{DD} = 5V, V_O = 0.5V$ or 4.5V		1.5		2.25	1.5		1.5	V
		$V_{DD} = 10V, V_O = 1V$ or 9V		3.0		4.5	3.0		3.0	
		$V_{DD} = 15V, V_O = 1.5V$ or 13.5V		4.0		6.25	4.0		4.0	
V_{IH}	HIGH Level Input Voltage Comparator and Signal In	$V_{DD} = 5V, V_O = 0.5V$ or 4.5V	3.5		3.5	2.75		3.5	V	
		$V_{DD} = 10V, V_O = 1V$ or 9V	7.0		7.0	5.5		7.0		
		$V_{DD} = 15V, V_O = 1.5V$ or 13.5V	11.0		11.0	8.25		11.0		
I_{OL}	LOW Level Output Current (Note 4)	$V_{DD} = 5V, V_O = 0.4V$	0.64		0.51	0.88		0.36	mA	
		$V_{DD} = 10V, V_O = 0.5V$	1.6		1.3	2.25		0.9		
		$V_{DD} = 15V, V_O = 1.5V$	4.2		3.4	8.8		2.4		
I_{OH}	HIGH Level Output Current (Note 4)	$V_{DD} = 5V, V_O = 4.6V$	-0.64		-0.51	-0.88		-0.36	mA	
		$V_{DD} = 10V, V_O = 9.5V$	-1.6		-1.3	-2.25		-0.9		
		$V_{DD} = 15V, V_O = 13.5V$	-4.2		-3.4	-8.8		-2.4		
I_{IN}	Input Current	All Inputs Except Signal Input $V_{DD} = 15V, V_{IN} = 0V$ $V_{DD} = 15V, V_{IN} = 15V$		-0.1		-10^{-5}	-0.1		μA	
C_{IN}	Input Capacitance	Any Input (Note 3)						7.5	pF	
P_T	Total Power Dissipation	$f_o = 10$ kHz, $R1 = 1$ M Ω , $R2 = \infty$, $V_{COIN} = V_{CC}/2$ $V_{DD} = 5V$ $V_{DD} = 10V$ $V_{DD} = 15V$				0.07			mW	

Note 3: Capacitance is guaranteed by periodic testing.

Note 4: I_{OH} and I_{OL} are tested one output at a time.

AC Electrical Characteristics (Note 5)						
$T_A = 25^\circ\text{C}$, $C_L = 50\text{ pF}$						
Symbol	Parameter	Conditions	Min	Typ	Max	Units
VCO SECTION						
I_{DD}	Operating Current	$f_o = 10\text{ kHz}$, $R1 = 1\text{ M}\Omega$, $R2 = \infty$, $V_{COIN} = V_{CC}/2$ $V_{DD} = 5\text{V}$ $V_{DD} = 10\text{V}$ $V_{DD} = 15\text{V}$		20 90 200		μA
f_{MAX}	Maximum Operating Frequency	$C1 = 50\text{ pF}$, $R1 = 10\text{ k}\Omega$, $R2 = \infty$, $V_{COIN} = V_{DD}$ $V_{DD} = 5\text{V}$ $V_{DD} = 10\text{V}$ $V_{DD} = 15\text{V}$	0.4 0.6 1.0	0.8 1.2 1.6		MHz
	Linearity	$V_{COIN} = 2.5\text{V} \pm 0.3\text{V}$, $R1 \geq 10\text{ k}\Omega$, $V_{DD} = 5\text{V}$ $V_{COIN} = 5\text{V} \pm 2.5\text{V}$, $R1 \geq 400\text{ k}\Omega$, $V_{DD} = 10\text{V}$ $V_{COIN} = 7.5\text{V} \pm 5\text{V}$, $R1 \geq 1\text{ M}\Omega$, $V_{DD} = 15\text{V}$		1 1 1		%
	Temperature-Frequency Stability No Frequency Offset, $f_{MIN} = 0$	$\%/\text{C} < 5\text{c}1/f$, V_{DD} $R2 = \infty$ $V_{DD} = 5\text{V}$ $V_{DD} = 10\text{V}$ $V_{DD} = 15\text{V}$		0.12–0.24 0.04–0.08 0.015–0.03		$\%/\text{C}$
	Frequency Offset, $f_{MIN} \neq 0$	$V_{DD} = 5\text{V}$ $V_{DD} = 10\text{V}$ $V_{DD} = 15\text{V}$		0.06–0.12 0.05–0.1 0.03–0.06		$\%/\text{C}$
V_{COIN}	Input Resistance	$V_{DD} = 5\text{V}$ $V_{DD} = 10\text{V}$ $V_{DD} = 15\text{V}$		10^6 10^6 10^6		M Ω
VCO	Output Duty Cycle	$V_{DD} = 5\text{V}$ $V_{DD} = 10\text{V}$ $V_{DD} = 15\text{V}$		50 50 50		%
t_{THL}	VCO Output Transition Time	$V_{DD} = 5\text{V}$		90	200	ns
t_{THL}		$V_{DD} = 10\text{V}$ $V_{DD} = 15\text{V}$		50 45	100 80	ns
PHASE COMPARATORS SECTION						
R_{IN}	Input Resistance Signal Input	$V_{DD} = 5\text{V}$	1	3		M Ω
		$V_{DD} = 10\text{V}$	0.2	0.7		
		$V_{DD} = 15\text{V}$	0.1	0.3		
Comparator Input	$V_{DD} = 5\text{V}$			10^6		M Ω
	$V_{DD} = 10\text{V}$			10^6		
	$V_{DD} = 15\text{V}$			10^6		
AC-Coupled Signal Input Voltage Sensitivity	$C_{SERIES} = 1000\text{ pF}$ $f = 50\text{ kHz}$ $V_{DD} = 5\text{V}$ $V_{DD} = 10\text{V}$ $V_{DD} = 15\text{V}$			200	400	mV
				400	800	
				700	1400	
DEMODULATOR OUTPUT						

AC Electrical Characteristics (Continued)

Symbol	Parameter	Conditions	Min	Typ	Max	Units
VCO _{IN} - V _{DEM}	Offset Voltage	RS ≥ 10 kΩ, V _{DD} = 5V		1.50	2.2	V
		RS ≥ 10 kΩ, V _{DD} = 10V		1.50	2.2	
		RS ≥ 50 kΩ, V _{DD} = 15V		1.50	2.2	
	Linearity	RS ≥ 50 kΩ				%
		VCO _{IN} = 2.5V ± 0.3V, V _{DD} = 5V		0.1		
		VCO _{IN} = 5V ± 2.5V, V _{DD} = 10V		0.6		
		VCO _{IN} = 7.5V ± 5V, V _{DD} = 15V		0.8		

ZENER DIODE

V _Z	Zener Diode Voltage	I _Z = 50 μA	6.3	7.0	7.7	V
R _Z	Zener Dynamic Resistance	I _Z = 1 mA		100		Ω

Note 5: AC Parameters are guaranteed by DC correlated testing.

Phase Comparator State Diagrams

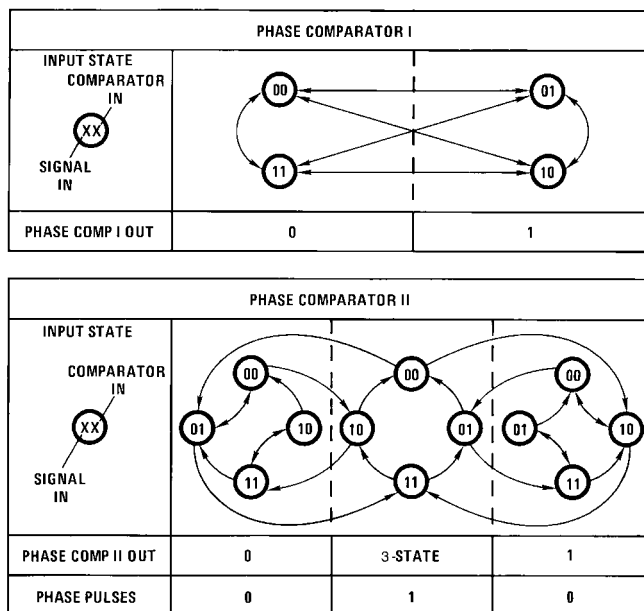


FIGURE 2.

Typical Waveforms

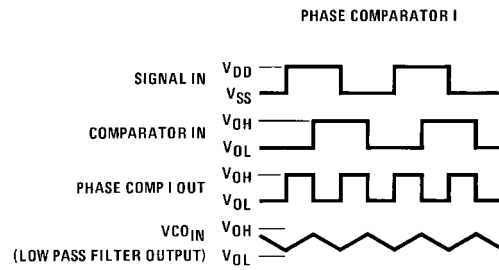


FIGURE 3. Typical Waveform Employing Phase Comparator I in Locked Condition

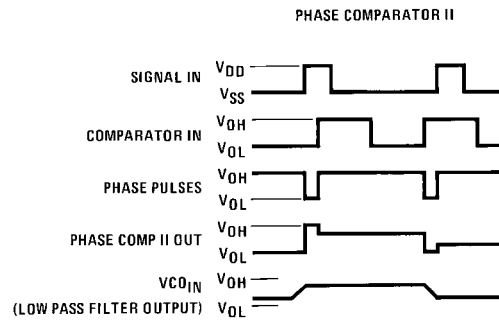


FIGURE 4. Typical Waveform Employing Phase Comparator II in Locked Condition

Typical Performance Characteristics

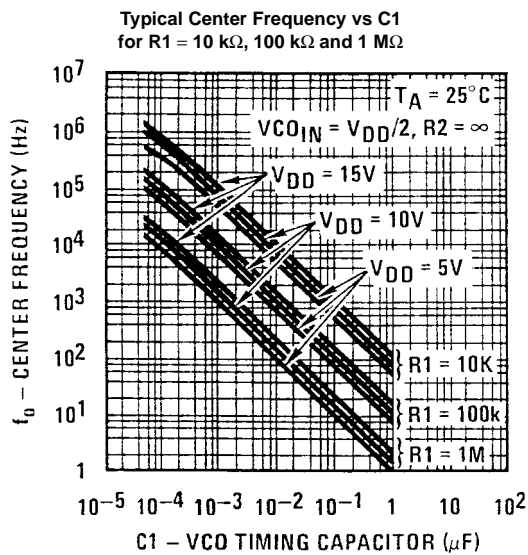


FIGURE 5.

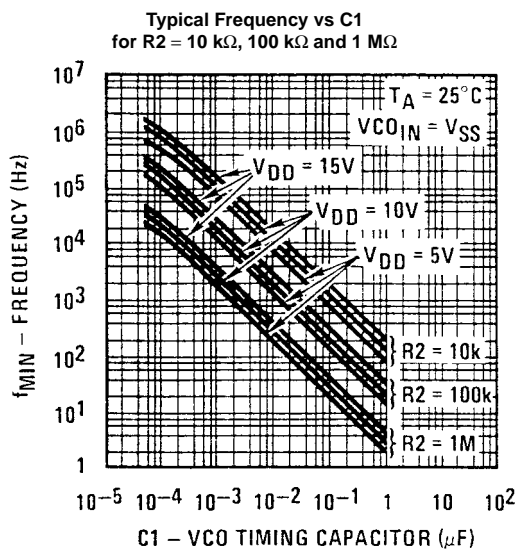


FIGURE 6.

Note: To obtain approximate total power dissipation of PLL system for no-signal input: Phase Comparator I, $P_D (Total) = P_D (f_0) + P_D (f_{MIN}) + P_D (R_S)$; Phase Comparator II, $P_D (Total) = P_D (f_{MIN})$.

Typical Performance Characteristics (Continued)
 Typical f_{MAX}/f_{MIN} vs $R2/R1$

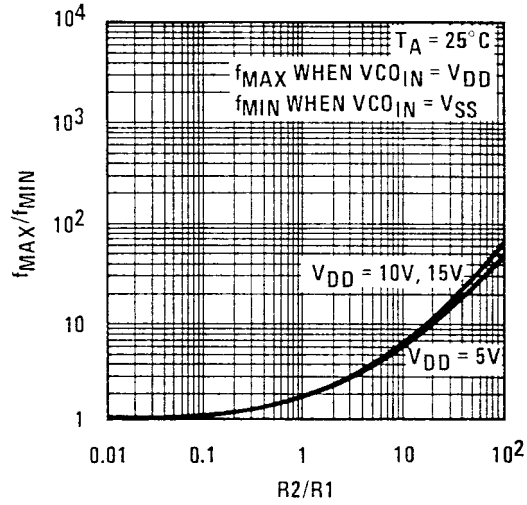


FIGURE 7.

Typical VCO Power Dissipation
 at Center Frequency vs $R1$

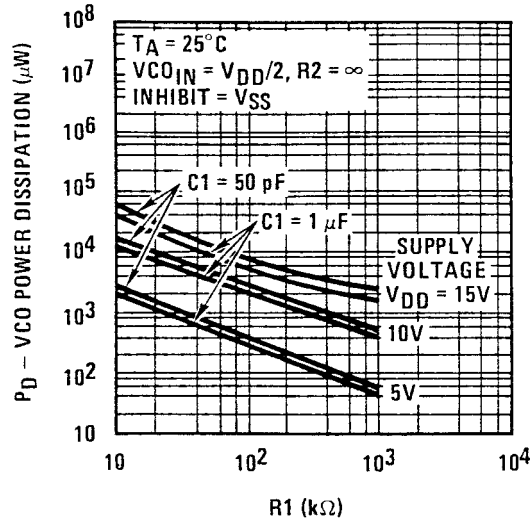


FIGURE 8.

Note: To obtain approximate total power dissipation of PLL system for no-signal input: Phase Comparator I, $P_D (Total) = P_D (f_o) + P_D (f_{MIN}) + P_D (R_S)$; Phase Comparator II, $P_D (Total) = P_D (f_{MIN})$.

Typical Performance Characteristics (Continued)

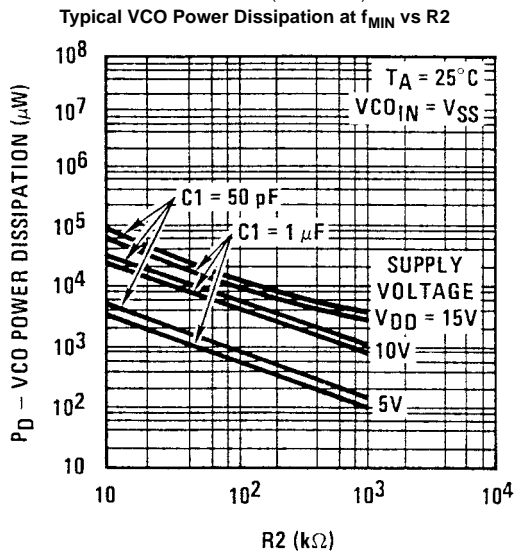


FIGURE 9.

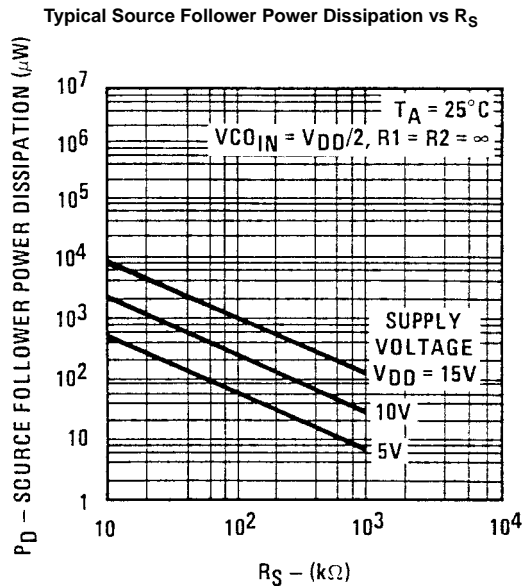


FIGURE 10.

Note: To obtain approximate total power dissipation of PLL system for no-signal input: Phase Comparator I, $P_D (\text{Total}) = P_D (f_0) + P_D (f_{MIN}) + P_D (R_S)$; Phase Comparator II, $P_D (\text{Total}) = P_D (f_{MIN})$.

Typical Performance Characteristics (Continued)

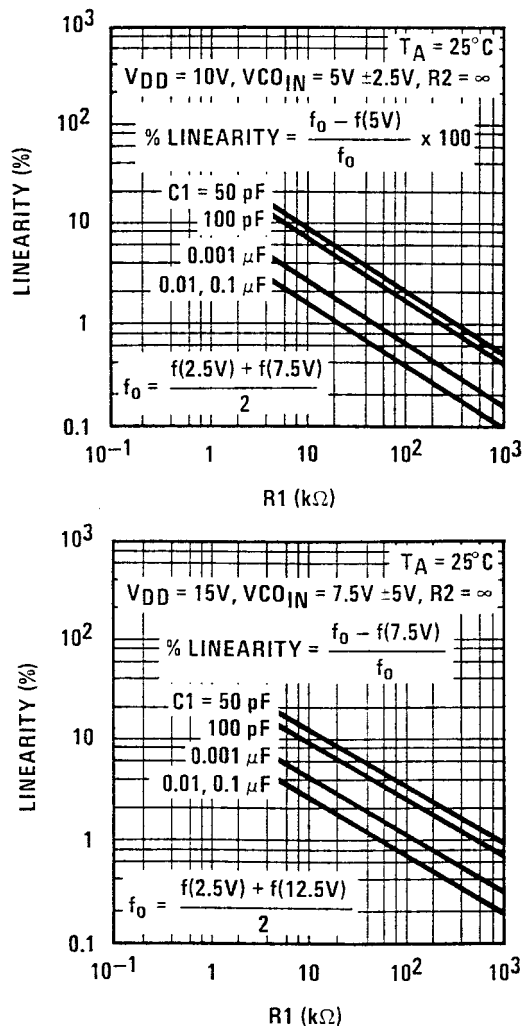


FIGURE 11. Typical VCO Linearity vs R1 and C1

Note: To obtain approximate total power dissipation of PLL system for no-signal input: Phase Comparator I, $P_D(\text{Total}) = P_D(f_0) + P_D(f_{MIN}) + P_D(R_S)$; Phase Comparator II, $P_D(\text{Total}) = P_D(f_{MIN})$.

Design Information

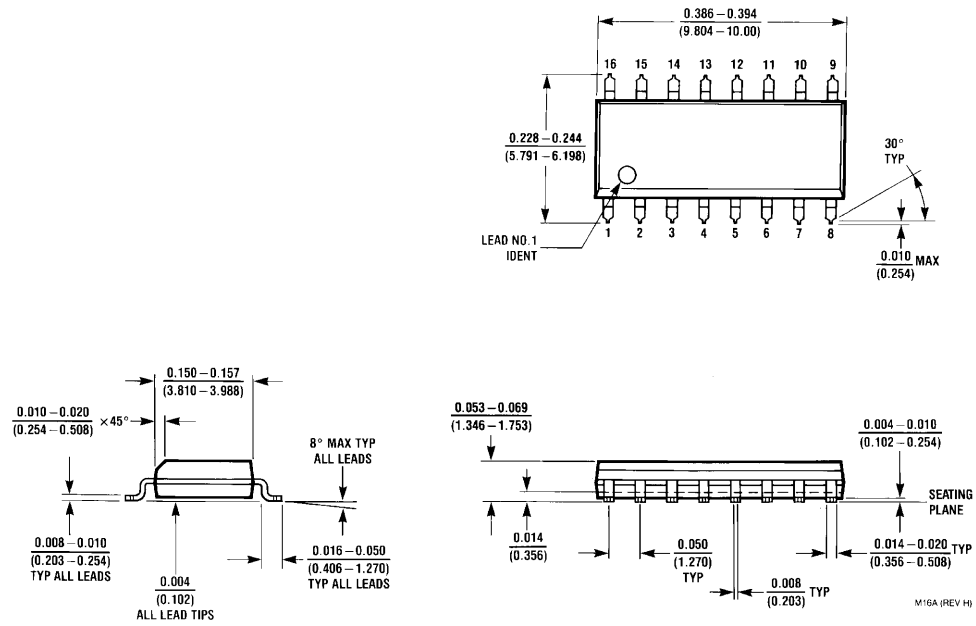
This information is a guide for approximating the value of external components for the CD4046B in a phase-locked-loop system. The selected external components must be within the following ranges: $R_1, R_2 \geq 10 \text{ k}\Omega$, $R_S \geq 10 \text{ k}\Omega$, $C_1 \geq 50 \text{ pF}$.

In addition to the given design information, refer to Figure 5, Figure 6, Figure 7 for R_1, R_2 and C_1 component selections.

Characteristics	Using Phase Comparator I		Using Phase Comparator II	
	VCO Without Offset $R_2 = \infty$	VCO With Offset	VCO Without Offset $R_2 = \infty$	VCO With Offset
VCO Frequency				
For No Signal Input	VCO in PLL system will adjust to center frequency, f_0		VCO in PLL system will adjust to lowest operating frequency, f_{\min}	
Frequency Lock Range, $2 f_L$	$2 f_L = \text{full VCO frequency range}$ $2 f_L = f_{\max} - f_{\min}$			
Frequency Capture Range, $2 f_C$		$2 f_C \approx \frac{1}{\pi} \sqrt{\frac{2 \pi f_L}{\tau_1}}$		
Loop Filter Component Selection		For $2 f_C$, see Ref.	$f_C = f_L$	
Phase Angle Between Single and Comparator	90° at center frequency (f_0), approximating 0° and 180° at ends of lock range ($2 f_L$)		Always 0° in lock	
Locks on Harmonics of Center Frequency	Yes		No	
Signal Input Noise Rejection	High		Low	

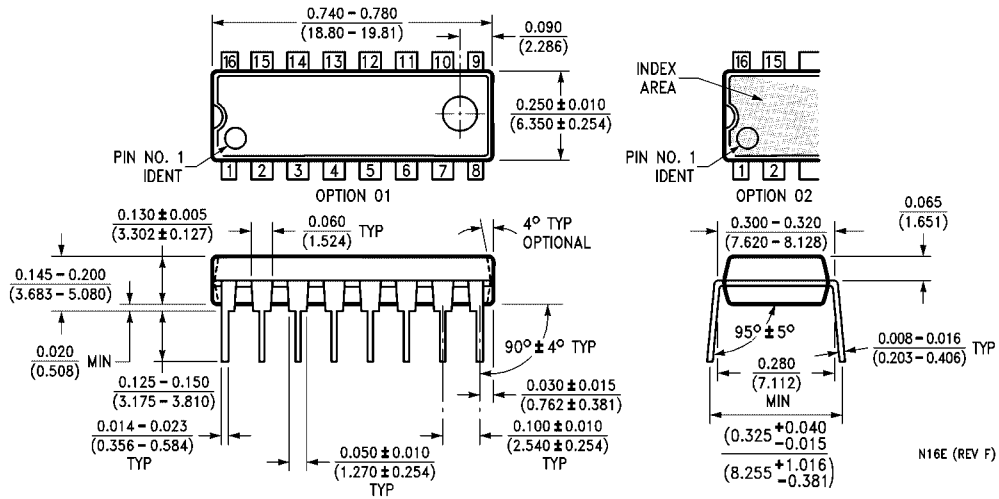
Design Information (Continued)				
Characteristics	Using Phase Comparator I		Using Phase Comparator II	
	VCO Without Offset R2 = ∞	VCO With Offset	VCO Without Offset R2 = ∞	VCO With Offset
VCO Component Selection	<p>Given: f_o.</p> <p>Use f_o with Figure 5 to determine R1 and C1.</p>	<p>Given: f_o and f_L.</p> <p>Calculate f_{min} from the equation</p> $f_{min} = f_o - f_L$ <p>Use f_{min} with Figure 6 to determine R2 and C1.</p> <p>Calculate</p> $\frac{f_{max}}{f_{min}}$ <p>from the equation</p> $\frac{f_{max}}{f_{min}} = \frac{f_o + f_L}{f_o - f_L}$ <p>Use</p> $\frac{f_{max}}{f_{min}}$ <p>with Figure 7 to determine ratio R2/R1 to obtain R1.</p>	<p>Given: f_{max}.</p> <p>Calculate f_o from the equation</p> $f_o = \frac{f_{max}}{2}$ <p>Use f_o with Figure 5 to determine R1 and C1.</p>	<p>Given: f_{min} and f_{max}.</p> <p>Use f_{min} with Figure 6 to determine R2 and C1.</p> <p>Calculate</p> $\frac{f_{max}}{f_{min}}$ <p>Use</p> $\frac{f_{max}}{f_{min}}$ <p>with Figure 7 to determine ratio R2/R1 to obtain R1.</p>
<p>References</p> <p>G.S. Moschytz, "Miniaturized RC Filters Using Phase-Locked Loop", BSTJ, May, 1965.</p> <p>Floyd Gardner, "Phaselock Techniques", John Wiley & Sons, 1966.</p>				

Physical Dimensions inches (millimeters) unless otherwise noted



16-Lead Small Outline Integrated Circuit (SOIC), JEDEC MS-012, 0.150" Narrow Package Number M16A

Physical Dimensions inches (millimeters) unless otherwise noted (Continued)



**16-Lead Plastic Dual-In-Line Package (PDIP), JEDEC MS-001, 0.300" Wide
Package Number N16E**

Fairchild does not assume any responsibility for use of any circuitry described, no circuit patent licenses are implied and Fairchild reserves the right at any time without notice to change said circuitry and specifications.

LIFE SUPPORT POLICY

FAIRCHILD'S PRODUCTS ARE NOT AUTHORIZED FOR USE AS CRITICAL COMPONENTS IN LIFE SUPPORT DEVICES OR SYSTEMS WITHOUT THE EXPRESS WRITTEN APPROVAL OF THE PRESIDENT OF FAIRCHILD SEMICONDUCTOR CORPORATION. As used herein:

1. Life support devices or systems are devices or systems which, (a) are intended for surgical implant into the body, or (b) support or sustain life, and (c) whose failure to perform when properly used in accordance with instructions for use provided in the labeling, can be reasonably expected to result in a significant injury to the user.
2. A critical component in any component of a life support device or system whose failure to perform can be reasonably expected to cause the failure of the life support device or system, or to affect its safety or effectiveness.

www.fairchildsemi.com

Looking for pricing, stock, or lifecycle information?

Click below to explore more details on WIN SOURCE:

-  [View CD4046BCN on WIN SOURCE](#)
-  [Fairchild/ON Semiconductor Information](#)

Optimize Your Supply Chain with WIN SOURCE Solutions

-  Global Sourcing Solution
-  Obsolete Management
-  Cost Control Management
-  Shortage Management
-  Alternative Solution
-  Excess Inventory Management