



# THE DATASHEET OF CD4051BCMTCX



## CD4051BC • CD4052BC • CD4053BC

### Single 8-Channel Analog Multiplexer/Demultiplexer • Dual 4-Channel Analog Multiplexer/Demultiplexer • Triple 2-Channel Analog Multiplexer/Demultiplexer

#### General Description

The CD4051BC, CD4052BC, and CD4053BC analog multiplexers/demultiplexers are digitally controlled analog switches having low "ON" impedance and very low "OFF" leakage currents. Control of analog signals up to 15V<sub>p-p</sub> can be achieved by digital signal amplitudes of 3–15V. For example, if V<sub>DD</sub> = 5V, V<sub>SS</sub> = 0V and V<sub>EE</sub> = -5V, analog signals from -5V to +5V can be controlled by digital inputs of 0–5V. The multiplexer circuits dissipate extremely low quiescent power over the full V<sub>DD</sub>-V<sub>SS</sub> and V<sub>DD</sub>-V<sub>EE</sub> supply voltage ranges, independent of the logic state of the control signals. When a logical "1" is present at the inhibit input terminal all channels are "OFF".

CD4051BC is a single 8-channel multiplexer having three binary control inputs, A, B, and C, and an inhibit input. The three binary signals select 1 of 8 channels to be turned "ON" and connect the input to the output.

CD4052BC is a differential 4-channel multiplexer having two binary control inputs, A and B, and an inhibit input. The two binary input signals select 1 or 4 pairs of channels to be turned on and connect the differential analog inputs to the differential outputs.

CD4053BC is a triple 2-channel multiplexer having three separate digital control inputs, A, B, and C, and an inhibit input. Each control input selects one of a pair of channels which are connected in a single-pole double-throw configuration.

#### Features

- Wide range of digital and analog signal levels: digital 3 – 15V, analog to 15V<sub>p-p</sub>
- Low "ON" resistance: 80Ω (typ.) over entire 15V<sub>p-p</sub> signal-input range for V<sub>DD</sub> – V<sub>EE</sub> = 15V
- High "OFF" resistance: channel leakage of ±10 pA (typ.) at V<sub>DD</sub> – V<sub>EE</sub> = 10V
- Logic level conversion for digital addressing signals of 3 – 15V (V<sub>DD</sub> – V<sub>SS</sub> = 3 – 15V) to switch analog signals to 15 V<sub>p-p</sub> (V<sub>DD</sub> – V<sub>EE</sub> = 15V)
- Matched switch characteristics: ΔR<sub>ON</sub> = 5Ω (typ.) for V<sub>DD</sub> – V<sub>EE</sub> = 15V
- Very low quiescent power dissipation under all digital-control input and supply conditions: 1 μW (typ.) at V<sub>DD</sub> – V<sub>SS</sub> = V<sub>DD</sub> – V<sub>EE</sub> = 10V
- Binary address decoding on chip

#### Ordering Code:

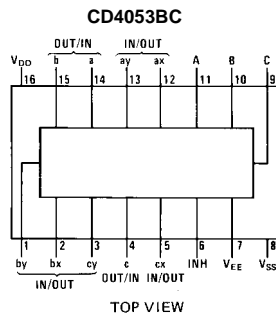
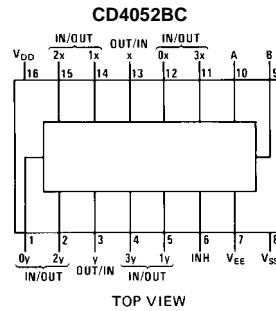
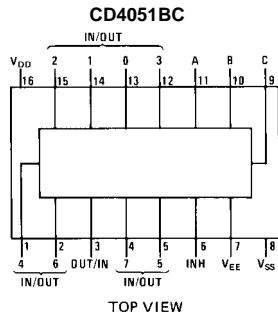
| Order Number | Package Number | Package Description  |
|--------------|----------------|--|
| CD4051BCM    | M16A           | 16-Lead Small Outline Integrated Circuit (SOIC), JEDEC MS-012, 0.150" Narrow |
| CD4051BCSJ   | M16D           | 16-Lead Small Outline Package (SOP), EIAJ TYPE II, 5.3mm Wide                |
| CD4051BCMTC  | MTC16          | 16-Lead Thin Shrink Small Outline Package (TSSOP), JEDEC MO-153, 4.4mm Wide  |
| CD4051BCN    | N16E           | 16-Lead Plastic Dual-In-Line Package (PDIP), JEDEC MS-001, 0.300" Wide       |
| CD4052BCM    | M16A           | 16-Lead Small Outline Integrated Circuit (SOIC), JEDEC MS-012, 0.150" Narrow |
| CD4052BCSJ   | M16D           | 16-Lead Small Outline Package (SOP), EIAJ TYPE II, 5.3mm Wide                |
| CD4052BCN    | N16E           | 16-Lead Plastic Dual-In-Line Package (PDIP), JEDEC MS-001, 0.300" Wide       |
| CD4053BCM    | M16A           | 16-Lead Small Outline Integrated Circuit (SOIC), JEDEC MS-012, 0.150" Narrow |
| CD4053BCSJ   | M16D           | 16-Lead Small Outline Package (SOP), EIAJ TYPE II, 5.3mm Wide                |
| CD4053BCN    | N16E           | 16-Lead Plastic Dual-In-Line Package (PDIP), JEDEC MS-001, 0.300" Wide       |

Devices also available in Tape and Reel. Specify by appending the suffix letter "X" to the ordering code.

CD4051BC • CD4052BC • CD4053BC Single 8-Channel Analog Multiplexer/Demultiplexer • Dual 4-Channel Analog Multiplexer/Demultiplexer • Triple 2-Channel Analog Multiplexer/Demultiplexer

## Connection Diagrams

Pin Assignments for DIP and SOIC



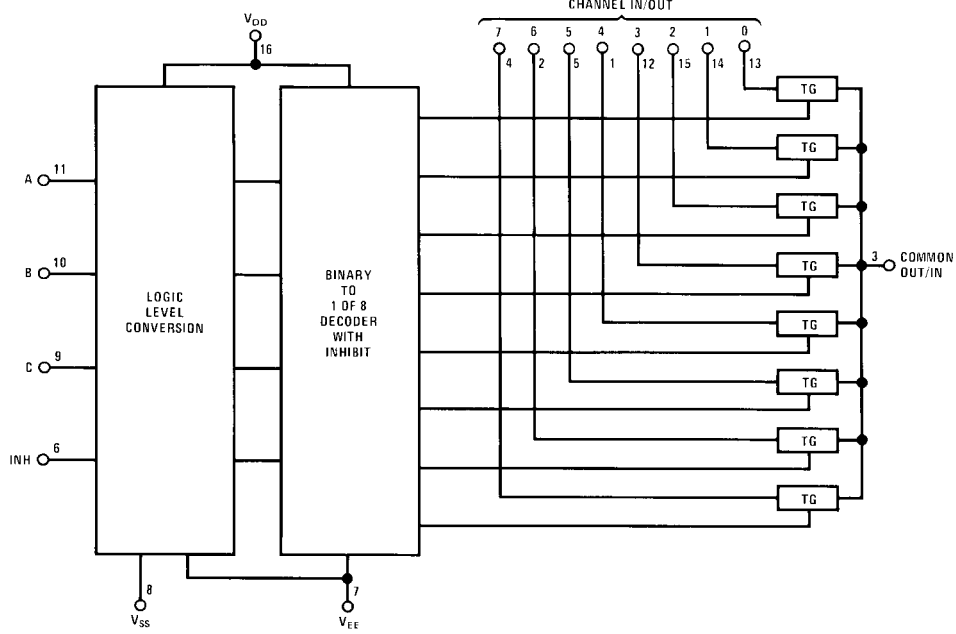
## Truth Table

| INPUT STATES |   |   |   | "ON" CHANNELS |         |            |
|--------------|---|---|---|---------------|---------|------------|
| INHIBIT      | C | B | A | CD4051B       | CD4052B | CD4053B    |
| 0            | 0 | 0 | 0 | 0             | 0X, 0Y  | cx, bx, ax |
| 0            | 0 | 0 | 1 | 1             | 1X, 1Y  | cx, bx, ay |
| 0            | 0 | 1 | 0 | 2             | 2X, 2Y  | cx, by, ax |
| 0            | 0 | 1 | 1 | 3             | 3X, 3Y  | cx, by, ay |
| 0            | 1 | 0 | 0 | 4             |         | cy, bx, ax |
| 0            | 1 | 0 | 1 | 5             |         | cy, bx, ay |
| 0            | 1 | 1 | 0 | 6             |         | cy, by, ax |
| 0            | 1 | 1 | 1 | 7             |         | cy, by, ay |
| 1            | * | * | * | NONE          | NONE    | NONE       |

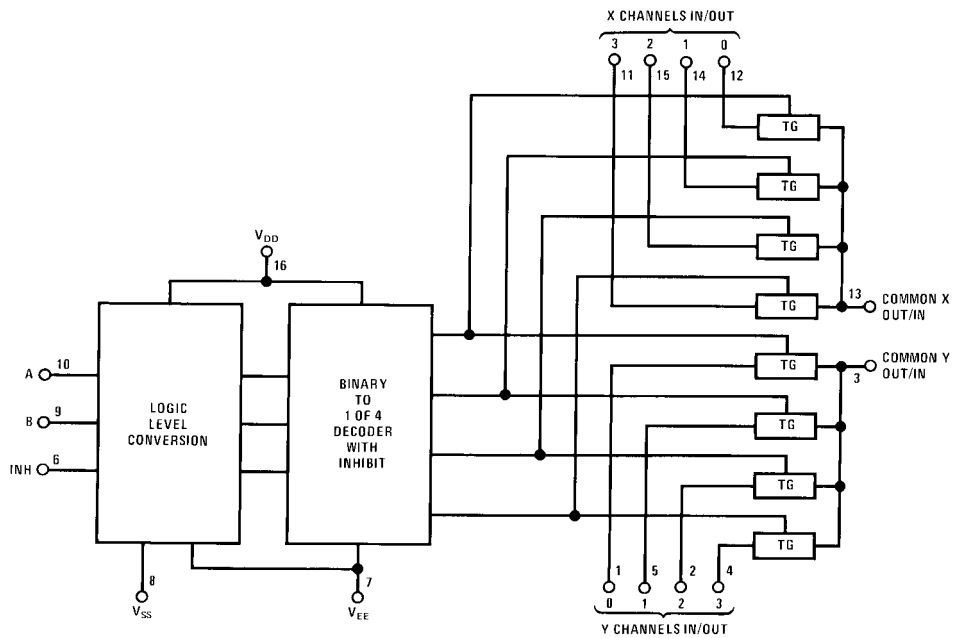
\*Don't Care condition.

# Logic Diagrams

CD4051BC

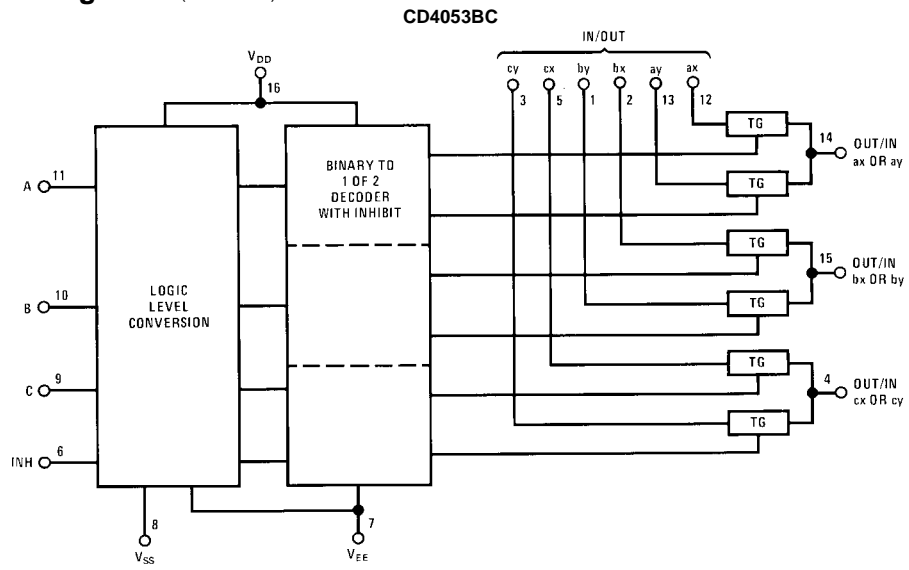


CD4052BC



CD4051BC • CD4052BC • CD4053BC

Logic Diagrams (Continued)



| Absolute Maximum Ratings (Note 1)                  |   | Recommended Operating Conditions      |  |
|--|---|---------------------------------------|--|
| DC Supply Voltage ( $V_{DD}$ )                     | -0.5 $V_{DC}$ to +18 $V_{DC}$           | DC Supply Voltage ( $V_{DD}$ )        | +5 $V_{DC}$ to +15 $V_{DC}$                |
| Input Voltage ( $V_{IN}$ )                         | -0.5 $V_{DC}$ to $V_{DD}$ +0.5 $V_{DC}$ | Input Voltage ( $V_{IN}$ )            | 0V to $V_{DD}$ $V_{DC}$                    |
| Storage Temperature Range ( $T_S$ )                | -65°C to +150°C                         | Operating Temperature Range ( $T_A$ ) | CD4051BC/CD4052BC/CD4053BC -55°C to +125°C |
| Power Dissipation ( $P_D$ )                        |   |                                       |  |
| Dual-In-Line                                       | 700 mW                                  |                                       |  |
| Small Outline                                      | 500 mW                                  |                                       |  |
| Lead Temperature ( $T_L$ ) (soldering, 10 seconds) | 260°C                                   |                                       |  |

**Note 1:** "Absolute Maximum Ratings" are those values beyond which the safety of the device cannot be guaranteed. Except for "Operating Temperature Range" they are not meant to imply that the devices should be operated at these limits. The Electrical Characteristics tables provide conditions for actual device operation.

**DC Electrical Characteristics (Note 2)**

| Symbol   | Parameter  | Conditions  | -55°C  |           | +25° |                   |           | 125°C |            | Units         |
|--|--|---|--|-----------|------|-------------------|-----------|-------|------------|---------------|
|  |  |   | Min  | Max       | Min  | Typ               | Max       | Min   | Max        |               |
| <b>Control A, B, C and Inhibit</b>   |  |   |  |           |      |                   |           |       |            |               |
| $I_{IN}$   | Input Current  | $V_{DD} = 15V, V_{EE} = 0V, V_{IN} = 0V$<br>$V_{DD} = 15V, V_{EE} = 0V, V_{IN} = 15V$ |  | -0.1      |      | -10 <sup>-5</sup> | -0.1      |       | -1.0       | $\mu A$       |
| $I_{DD}$   | Quiescent Device Current                                     | $V_{DD} = 5V$<br>$V_{DD} = 10V$<br>$V_{DD} = 15V$                                     |  | 5         |      |                   | 5         |       | 150        | $\mu A$       |
|  |  |   |  | 10        |      |                   | 10        |       | 300        |               |
|  |  |   |  | 20        |      |                   | 20        |       | 600        |               |
| <b>Signal Inputs (<math>V_{IS}</math>) and Outputs (<math>V_{OS}</math>)</b> |  |   |  |           |      |                   |           |       |            |               |
| $R_{ON}$   | "ON" Resistance (Peak for $V_{EE} \leq V_{IS} \leq V_{DD}$ ) | $R_L = 10\text{ k}\Omega$ (any channel selected)                                      | $V_{DD} = 2.5V, V_{EE} = -2.5V$ or $V_{DD} = 5V, V_{EE} = 0V$  |           | 800  |                   | 270       | 1050  |            | 1300 $\Omega$ |
|  |  |   | $V_{DD} = 5V, V_{EE} = -5V$ or $V_{DD} = 10V, V_{EE} = 0V$     |           | 310  |                   | 120       | 400   |            | 550 $\Omega$  |
|  |  |   | $V_{DD} = 7.5V, V_{EE} = -7.5V$ or $V_{DD} = 15V, V_{EE} = 0V$ |           | 200  |                   | 80        | 240   |            | 320 $\Omega$  |
| $\Delta R_{ON}$  | $\Delta$ "ON" Resistance Between Any Two Channels            | $R_L = 10\text{ k}\Omega$ (any channel selected)                                      | $V_{DD} = 2.5V, V_{EE} = -2.5V$ or $V_{DD} = 5V, V_{EE} = 0V$  |           |      |                   | 10        |       |            | $\Omega$      |
|  |  |   | $V_{DD} = 5V, V_{EE} = -5V$ or $V_{DD} = 10V, V_{EE} = 0V$     |           |      |                   | 10        |       |            | $\Omega$      |
|  |  |   | $V_{DD} = 7.5V, V_{EE} = -7.5V$ or $V_{DD} = 15V, V_{EE} = 0V$ |           |      |                   | 5         |       |            | $\Omega$      |
|  | "OFF" Channel Leakage Current, any channel "OFF"             | $V_{DD} = 7.5V, V_{EE} = -7.5V, O/I = \pm 7.5V, I/O = 0V$                             |  | $\pm 50$  |      | $\pm 0.01$        | $\pm 50$  |       | $\pm 500$  | nA            |
|  | "OFF" Channel Leakage Current, all channels                  | Inhibit = 7.5V $V_{DD} = 7.5V, V_{EE} = -7.5V, O/I = 0V$                              |  | $\pm 200$ |      | $\pm 0.08$        | $\pm 200$ |       | $\pm 2000$ | nA            |
|  | "OFF" (Common OUT/IN)  | $V_{DD} = 7.5V, V_{EE} = -7.5V, O/I = 0V, I/O = \pm 7.5V$                             |  | $\pm 200$ |      | $\pm 0.04$        | $\pm 200$ |       | $\pm 2000$ | nA            |
|  |  |   |  | $\pm 200$ |      | $\pm 0.02$        | $\pm 200$ |       | $\pm 2000$ | nA            |

| DC Electrical Characteristics (Continued)   |                          |  |       |     |      |     |     |       |     |       |
|---|--------------------------|--|-------|-----|------|-----|-----|-------|-----|-------|
| Symbol  | Parameter                | Conditions   | -55°C |     | +25° |     |     | 125°C |     | Units |
|   |                          |  | Min   | Max | Min  | Typ | Max | Min   | Max |       |
| Control Inputs A, B, C and Inhibit  |                          |  |       |     |      |     |     |       |     |       |
| $V_{IL}$  | LOW Level Input Voltage  | $V_{EE} = V_{SS}$ $R_L = 1\text{ k}\Omega$ to $V_{SS}$<br>$I_{IS} < 2\text{ }\mu\text{A}$ on all OFF Channels<br>$V_{IS} = V_{DD}$ thru $1\text{ k}\Omega$<br>$V_{DD} = 5\text{V}$<br>$V_{DD} = 10\text{V}$<br>$V_{DD} = 15\text{V}$ |       |     |      |     |     |       |     |       |
|   |                          |  |       | 1.5 |      |     | 1.5 |       | 1.5 | V     |
|   |                          |  |       | 3.0 |      |     | 3.0 |       | 3.0 | V     |
|   |                          |  |       | 4.0 |      |     | 4.0 |       | 4.0 | V     |
| $V_{IH}$  | HIGH Level Input Voltage | $V_{DD} = 5$<br>$V_{DD} = 10$<br>$V_{DD} = 15$   | 3.5   |     | 3.5  |     |     | 3.5   |     | V     |
|   |                          |  | 7     |     | 7    |     |     | 7     |     | V     |
|   |                          |  | 11    |     | 11   |     |     | 11    |     | V     |
| <p><b>Note 2:</b> All voltages measured with respect to <math>V_{SS}</math> unless otherwise specified.</p> |                          |  |       |     |      |     |     |       |     |       |

| <b>AC Electrical Characteristics</b> (Note 3)  |   |  |                   |     |                   |                    |           |
|--|---|--|-------------------|-----|-------------------|--------------------|-----------|
| T <sub>A</sub> = 25°C, t <sub>r</sub> = t <sub>f</sub> = 20 ns, unless otherwise specified.  |   |  |                   |     |                   |                    |           |
| Symbol   | Parameter   | Conditions   | V <sub>DD</sub>   | Min | Typ               | Max                | Units     |
| t <sub>PZH</sub> ,<br>t <sub>PZL</sub>   | Propagation Delay Time from<br>Inhibit to Signal Output<br>(channel turning on)     | V <sub>EE</sub> = V <sub>SS</sub> = 0V<br>R <sub>L</sub> = 1 kΩ<br>C <sub>L</sub> = 50 pF  | 5V<br>10V<br>15V  |     | 600<br>225<br>160 | 1200<br>450<br>320 | ns        |
| t <sub>PHZ</sub> ,<br>t <sub>PLZ</sub>   | Propagation Delay Time from<br>Inhibit to Signal Output<br>(channel turning off)    | V <sub>EE</sub> = V <sub>SS</sub> = 0V<br>R <sub>L</sub> = 1 kΩ<br>C <sub>L</sub> = 50 pF  | 5V<br>10V<br>15V  |     | 210<br>100<br>75  | 420<br>200<br>150  | ns        |
| C <sub>IN</sub>  | Input Capacitance<br>Control input<br>Signal Input (IN/OUT)                         |  |                   |     | 5<br>10           | 7.5<br>15          | pF        |
| C <sub>OUT</sub>   | Output Capacitance<br>(common OUT/IN)   |  |                   |     |                   |                    |           |
|  | CD4051<br>CD4052<br>CD4053  | V <sub>EE</sub> = V <sub>SS</sub> = 0V   | 10V<br>10V<br>10V |     | 30<br>15<br>8     |                    | pF        |
| C <sub>IOS</sub>   | Feedthrough Capacitance   |  |                   |     | 0.2               |                    | pF        |
| C <sub>PD</sub>  | Power Dissipation Capacitance   |  |                   |     |                   |                    |           |
|  | CD4051<br>CD4052<br>CD4053  |  |                   |     | 110<br>140<br>70  |                    | pF        |
| <b>Signal Inputs (V<sub>IS</sub>) and Outputs (V<sub>OS</sub>)</b>   |   |  |                   |     |                   |                    |           |
|  | Sine Wave Response<br>(Distortion)  | R <sub>L</sub> = 10 kΩ<br>f <sub>IS</sub> = 1 kHz<br>V <sub>IS</sub> = 5 V <sub>p-p</sub><br>V <sub>EE</sub> = V <sub>SI</sub> = 0V  | 10V               |     | 0.04              |                    | %         |
|  | Frequency Response, Channel<br>"ON" (Sine Wave Input)                               | R <sub>L</sub> = 1 kΩ, V <sub>EE</sub> = 0V, V <sub>IS</sub> = 5V <sub>p-p</sub> ,<br>20 log <sub>10</sub> V <sub>OS</sub> /V <sub>IS</sub> = -3 dB  | 10V               |     | 40                |                    | MHz       |
|  | Feedthrough, Channel "OFF"  | R <sub>L</sub> = 1 kΩ, V <sub>EE</sub> = V <sub>SS</sub> = 0V, V <sub>IS</sub> = 5V <sub>p-p</sub> ,<br>20 log <sub>10</sub> V <sub>OS</sub> /V <sub>IS</sub> = -40 dB                     | 10V               |     | 10                |                    | MHz       |
|  | Crosstalk Between Any Two<br>Channels (frequency at 40 dB)                          | R <sub>L</sub> = 1 kΩ, V <sub>EE</sub> = V <sub>SS</sub> = 0V, V <sub>IS</sub> (A) = 5V <sub>p-p</sub> ,<br>20 log <sub>10</sub> V <sub>OS</sub> (B)/V <sub>IS</sub> (A) = -40 dB (Note 4) | 10V               |     | 3                 |                    | MHz       |
| t <sub>PHL</sub> ,<br>t <sub>PLH</sub>   | Propagation Delay Signal<br>Input to Signal Output                                  | V <sub>EE</sub> = V <sub>SS</sub> = 0V<br>C <sub>L</sub> = 50 pF   | 5V<br>10V<br>15V  |     | 25<br>15<br>10    | 55<br>35<br>25     | ns        |
| <b>Control Inputs, A, B, C and Inhibit</b>   |   |  |                   |     |                   |                    |           |
|  | Control Input to Signal<br>Crosstalk  | V <sub>EE</sub> = V <sub>SS</sub> = 0V, R <sub>L</sub> = 10 kΩ at both ends<br>of channel.<br>Input Square Wave Amplitude = 10V  | 10V               |     | 65                |                    | mV (peak) |
| t <sub>PHL</sub> ,<br>t <sub>PLH</sub>   | Propagation Delay Time from<br>Address to Signal Output<br>(channels "ON" or "OFF") | V <sub>EE</sub> = V <sub>SS</sub> = 0V<br>C <sub>L</sub> = 50 pF   | 5V<br>10V<br>15V  |     | 500<br>180<br>120 | 1000<br>360<br>240 | ns        |
| <p><b>Note 3:</b> AC Parameters are guaranteed by DC correlated testing.</p> <p><b>Note 4:</b> A, B are two arbitrary channels with A turned "ON" and B "OFF".</p> |   |  |                   |     |                   |                    |           |

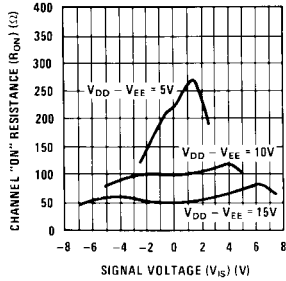
### Special Considerations

In certain applications the external load-resistor current may include both  $V_{DD}$  and signal-line components. To avoid drawing  $V_{DD}$  current when switch current flows into IN/OUT pin, the voltage drop across the bidirectional

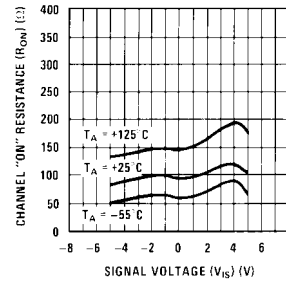
switch must not exceed 0.6V at  $T_A \leq 25^\circ\text{C}$ , or 0.4V at  $T_A > 25^\circ\text{C}$  (calculated from  $R_{ON}$  values shown). No  $V_{DD}$  current will flow through  $R_L$  if the switch current flows into OUT/IN pin.

### Typical Performance Characteristics

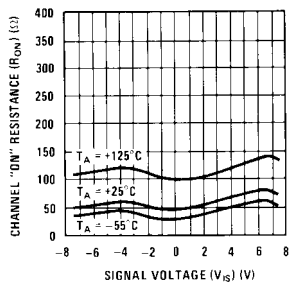
“ON” Resistance vs Signal Voltage for  $T_A = 25^\circ\text{C}$



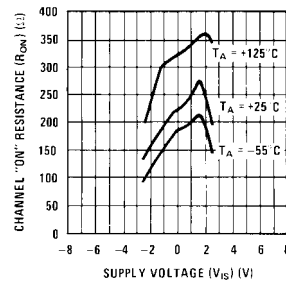
“ON” Resistance as a Function of Temperature for  $V_{DD} - V_{EE} = 10\text{V}$



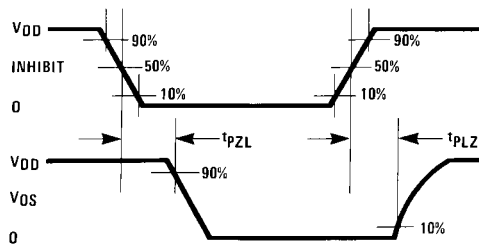
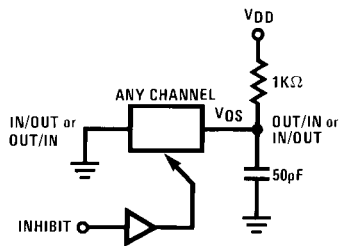
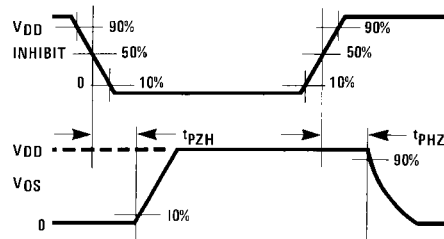
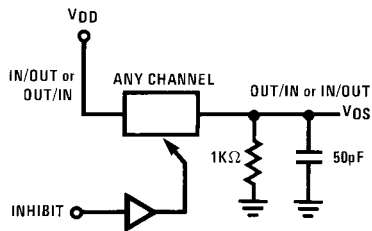
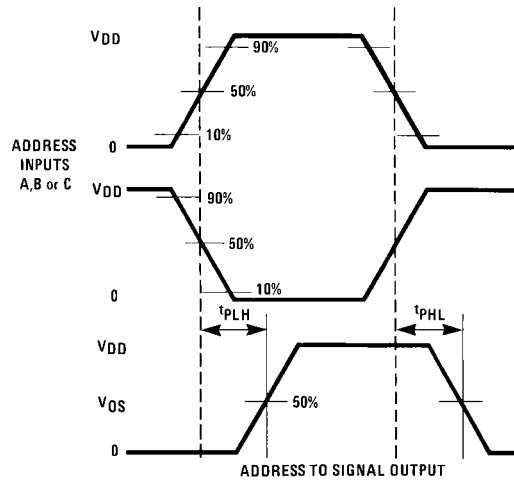
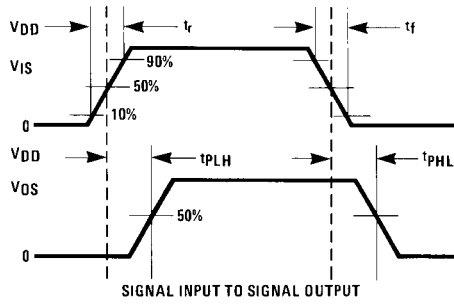
“ON” Resistance as a Function of Temperature for  $V_{DD} - V_{EE} = 15\text{V}$



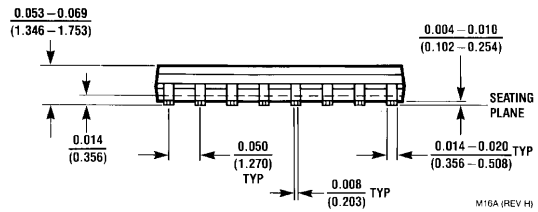
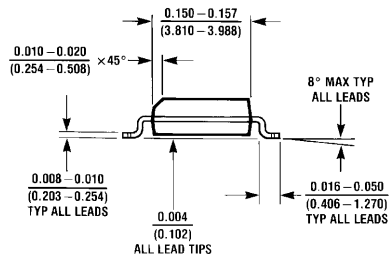
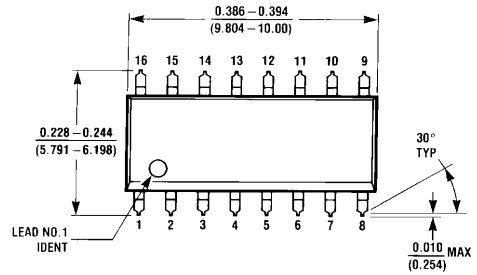
“ON” Resistance as a Function of Temperature for  $V_{DD} - V_{EE} = 5\text{V}$



### Switching Time Waveforms



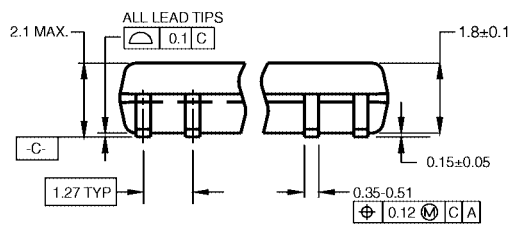
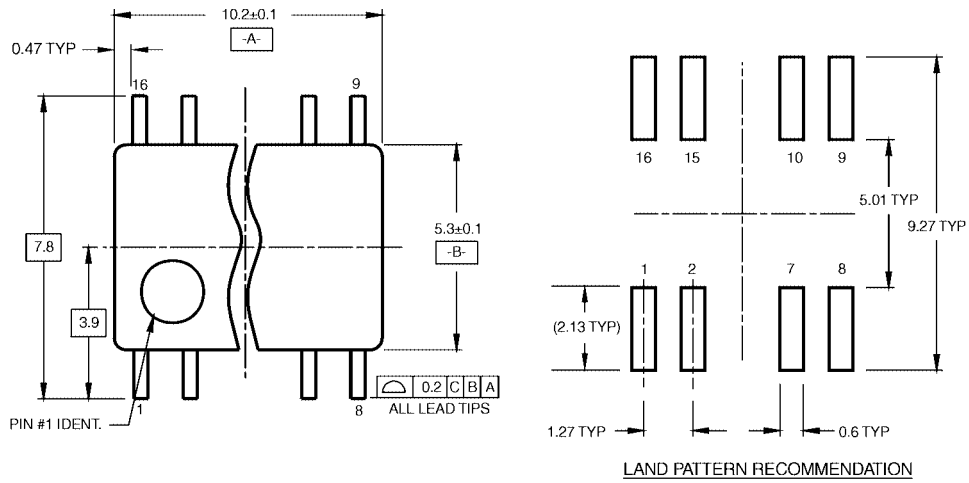
**Physical Dimensions** inches (millimeters) unless otherwise noted



M16A (REV H)

**16-Lead Small Outline Integrated Circuit (SOIC), JEDEC MS-012, 0.150" Narrow Package Number M16A**

**Physical Dimensions** inches (millimeters) unless otherwise noted (Continued)

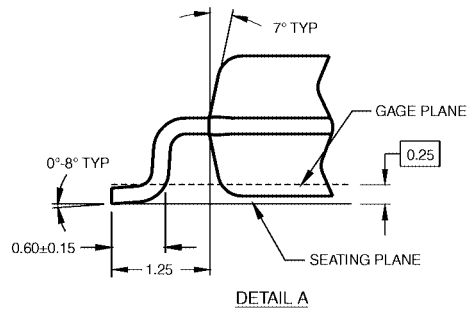
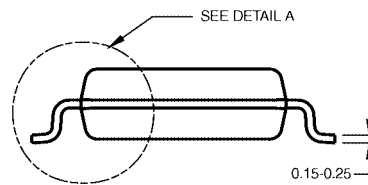


DIMENSIONS ARE IN MILLIMETERS

NOTES:

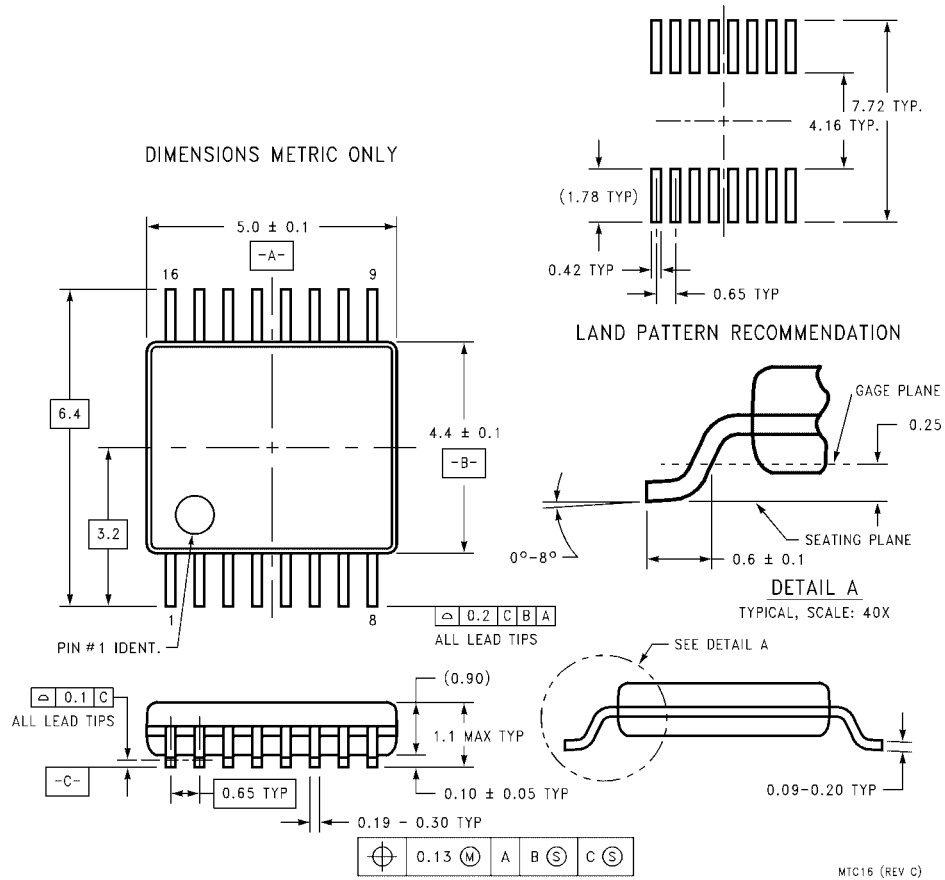
- A. CONFORMS TO EIAJ EDR-7320 REGISTRATION, ESTABLISHED IN DECEMBER, 1998.
- B. DIMENSIONS ARE IN MILLIMETERS.
- C. DIMENSIONS ARE EXCLUSIVE OF BURRS, MOLD FLASH, AND TIE BAR EXTRUSIONS.

M16DRevB1



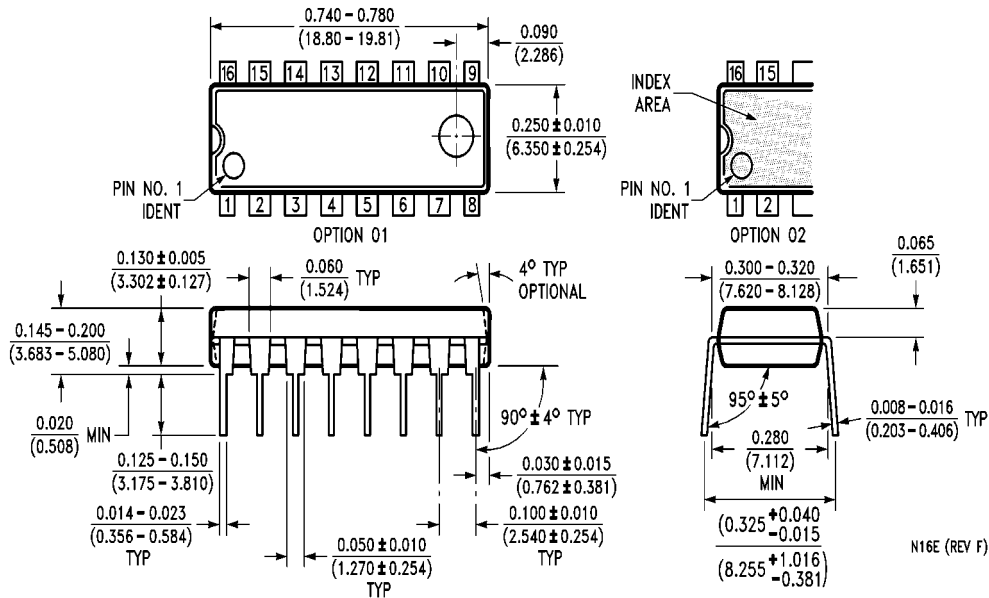
**16-Lead Small Outline Package (SOP), EIAJ TYPE II, 5.3mm Wide  
Package Number M16D**

**Physical Dimensions** inches (millimeters) unless otherwise noted (Continued)



**16-Lead Thin Shrink Small Outline Package (TSSOP), JEDEC MO-153, 4.4mm Wide  
Package Number MTC16**

**Physical Dimensions** inches (millimeters) unless otherwise noted (Continued)



16-Lead Plastic Dual-In-Line Package (PDIP), JEDEC MS-001, 0.300" Wide Package Number N16E

Fairchild does not assume any responsibility for use of any circuitry described, no circuit patent licenses are implied and Fairchild reserves the right at any time without notice to change said circuitry and specifications.

**LIFE SUPPORT POLICY**

FAIRCHILD'S PRODUCTS ARE NOT AUTHORIZED FOR USE AS CRITICAL COMPONENTS IN LIFE SUPPORT DEVICES OR SYSTEMS WITHOUT THE EXPRESS WRITTEN APPROVAL OF THE PRESIDENT OF FAIRCHILD SEMICONDUCTOR CORPORATION. As used herein:

1. Life support devices or systems are devices or systems which, (a) are intended for surgical implant into the body, or (b) support or sustain life, and (c) whose failure to perform when properly used in accordance with instructions for use provided in the labeling, can be reasonably expected to result in a significant injury to the user.
2. A critical component in any component of a life support device or system whose failure to perform can be reasonably expected to cause the failure of the life support device or system, or to affect its safety or effectiveness.

[www.fairchildsemi.com](http://www.fairchildsemi.com)

## Looking for pricing, stock, or lifecycle information?

Click below to explore more details on WIN SOURCE:

- ⊖ [View CD4051BCMTCX on WIN SOURCE](#)
- ⊖ [Fairchild/ON Semiconductor Information](#)

## Optimize Your Supply Chain with WIN SOURCE Solutions

- ✓ Global Sourcing Solution
- ✓ Obsolete Management
- ✓ Cost Control Management
- ✓ Shortage Management
- ✓ Alternative Solution
- ✓ Excess Inventory Management