



THE DATASHEET OF CD4066BCN



CD4066BC Quad Bilateral Switch

General Description

The CD4066BC is a quad bilateral switch intended for the transmission or multiplexing of analog or digital signals. It is pin-for-pin compatible with CD4016BC, but has a much lower "ON" resistance, and "ON" resistance is relatively constant over the input-signal range.

Features

- Wide supply voltage range 3V to 15V
- High noise immunity 0.45 V_{DD} (typ.)
- Wide range of digital and $\pm 7.5 V_{PEAK}$ analog switching
- "ON" resistance for 15V operation 80 Ω
- Matched "ON" resistance $\Delta R_{ON} = 5\Omega$ (typ.) over 15V signal input
- "ON" resistance flat over peak-to-peak signal range
- High "ON"/"OFF" 65 dB (typ.) output voltage ratio @ $f_{is} = 10$ kHz, $R_L = 10$ k Ω
- Control Line Biasing:
Switch On (Logic 1), $V_C = V_{DD}$
Switch Off (Logic 0), $V_C = V_{SS}$

- High degree linearity 0.1% distortion (typ.)
High degree linearity @ $f_{is} = 1$ kHz, $V_{is} = 5V_{p-p}$
High degree linearity $V_{DD} - V_{SS} = 10V$, $R_L = 10$ k Ω
- Extremely low "OFF" 0.1 nA (typ.)
switch leakage: @ $V_{DD} - V_{SS} = 10V$, $T_A = 25^\circ C$
- Extremely high control input impedance 10¹² Ω (typ.)
- Low crosstalk -50 dB (typ.)
between switches @ $f_{is} = 0.9$ MHz, $R_L = 1$ k Ω
- Frequency response, switch "ON" 40 MHz (typ.)

Applications

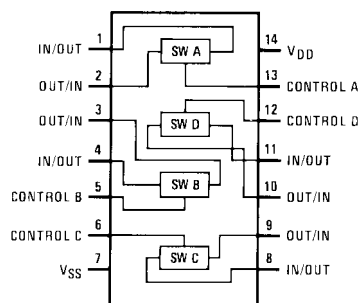
- Analog signal switching/multiplexing
- Signal gating
- Squelch control
- Chopper
- Modulator/Demodulator
- Commutating switch
- Digital signal switching/multiplexing
- CMOS logic implementation
- Analog-to-digital/digital-to-analog conversion
- Digital control of frequency, impedance, phase, and analog-signal-gain

Ordering Code:

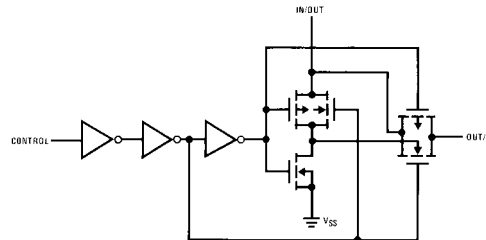
| Order Number | Package Number | Package Description |
|--------------|----------------|--|
| CD4066BCM | M14A | 14-Lead Small Outline Integrated Circuit (SOIC), JEDEC MS-012, 0.150" Narrow |
| CD4066BCSJ | M14D | Pb-Free 14-Lead Small Outline Package (SOP), EIAJ TYPE II, 5.3mm Wide |
| CD4066BCN | N14A | 14-Lead Plastic Dual-In-Line Package (PDIP), JEDEC MS-001, 0.300" Wide |

Devices also available in Tape and Reel. Specify by appending suffix letter "X" to the ordering code.

Connection Diagram



Schematic Diagram



Absolute Maximum Ratings

(Note 1)
(Note 2)

| | |
|-------------------------------------|------------------------|
| Supply Voltage (V_{DD}) | -0.5V to +18V |
| Input Voltage (V_{IN}) | -0.5V to $V_{CC}+0.5V$ |
| Storage Temperature Range (T_S) | -65°C to +150°C |
| Power Dissipation (P_D) | |
| Dual-In-Line | 700 mW |
| Small Outline | 500 mW |
| Lead Temperature (T_L) | |
| (Soldering, 10 seconds) | 300°C |

Recommended Operating Conditions

(Note 2)

| | |
|---------------------------------------|-----------------|
| Supply Voltage (V_{DD}) | 3V to 15V |
| Input Voltage (V_{IN}) | 0V to V_{DD} |
| Operating Temperature Range (T_A) | -55°C to +125°C |

Note 1: "Absolute Maximum Ratings" are those values beyond which the safety of the device cannot be guaranteed. They are not meant to imply that the devices should be operated at these limits. The tables of "Recommended Operating Conditions" and "Electrical Characteristics" provide conditions for actual device operation.

Note 2: $V_{SS} = 0V$ unless otherwise specified.

DC Electrical Characteristics

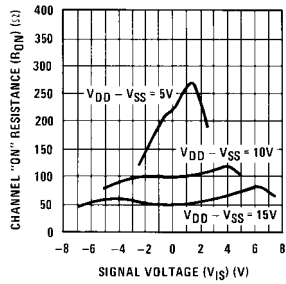
(Note 2)

| Symbol | Parameter | Conditions | -55°C | | +25°C | | | +125°C | | Units |
|----------------------------------|--|---|--------------------|-------------------|--------------------|-------------------------|-------------------|--------------------|-------------------|----------|
| | | | Min | Max | Min | Typ | Max | Min | Max | |
| I_{DD} | Quiescent Device Current | $V_{DD} = 5V$ | | 0.25 | | 0.01 | 0.25 | | 7.5 | μA |
| | | $V_{DD} = 10V$ | | 0.5 | | 0.01 | 0.5 | | 15 | |
| | | $V_{DD} = 15V$ | | 1.0 | | 0.01 | 1.0 | | 30 | |
| SIGNAL INPUTS AND OUTPUTS | | | | | | | | | | |
| R_{ON} | "ON" Resistance | $R_L = 10\text{ k}\Omega$ to $(V_{DD} - V_{SS}/2)$ $V_C = V_{DD}, V_{SS}$ to V_{DD} $V_{DD} = 5V$ $V_{DD} = 10V$ $V_{DD} = 15V$ | | 800 | | 270 | 1050 | | 1300 | Ω |
| ΔR_{ON} | Δ "ON" Resistance Between Any 2 of 4 Switches | $R_L = 10\text{ k}\Omega$ to $(V_{DD} - V_{SS}/2)$ $V_{CC} = V_{DD}, V_{IS} = V_{SS}$ to V_{DD} $V_{DD} = 10V$ $V_{DD} = 15V$ | | | | 10 5 | | | | Ω |
| I_{IS} | Input or Output Leakage Switch "OFF" | $V_C = 0$ | | ± 50 | | ± 0.1 | ± 50 | | ± 500 | nA |
| CONTROL INPUTS | | | | | | | | | | |
| V_{ILC} | LOW Level Input Voltage | $V_{IS} = V_{SS}$ and V_{DD} $V_{OS} = V_{DD}$ and V_{SS} $I_{IS} = \pm 10\mu A$ $V_{DD} = 5V$ $V_{DD} = 10V$ $V_{DD} = 15V$ | | 1.5 3.0 4.0 | | 2.25 4.5 6.75 | 1.5 3.0 4.0 | | 1.5 3.0 4.0 | V |
| V_{IHC} | HIGH Level Input Voltage | $V_{DD} = 5V$ $V_{DD} = 10V$ (Note 7) $V_{DD} = 15V$ | 3.5 7.0 11.0 | | 3.5 7.0 11.0 | 2.75 5.5 8.25 | | 3.5 7.0 11.0 | | V |
| I_{IN} | Input Current | $V_{DD} - V_{SS} = 15V$ $V_{DD} \geq V_{IS} \geq V_{SS}$ $V_{DD} \geq V_C \geq V_{SS}$ | | -0.1 0.1 | | -10^{-5} 10^{-5} | -0.1 0.1 | | -0.1 0.1 | μA |

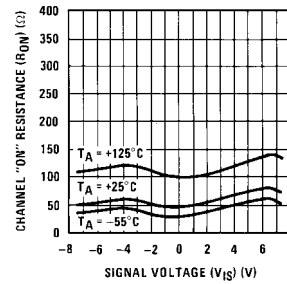
| AC Electrical Characteristics (Note 3) | | | | | | |
|--|---|---|-----|---|-----------------|--|
| $T_A = 25^\circ\text{C}$, $t_r = t_f = 20\text{ ns}$ and $V_{SS} = 0\text{V}$ unless otherwise noted | | | | | | |
| Symbol | Parameter | Conditions | Min | Typ | Max | Units |
| t_{PHL} , t_{PLH} | Propagation Delay Time Signal Input to Signal Output | $V_C = V_{DD}$, $C_L = 50\text{ pF}$, (Figure 1) $R_L = 200\text{ k}$ $V_{DD} = 5\text{V}$ $V_{DD} = 10\text{V}$ $V_{DD} = 15\text{V}$ | | 25 15 10 | 55 35 25 | ns ns ns |
| t_{PZH} , t_{PZL} | Propagation Delay Time Control Input to Signal Output High Impedance to Logical Level | $R_L = 1.0\text{ k}\Omega$, $C_L = 50\text{ pF}$, (Figure 2, Figure 3) $V_{DD} = 5\text{V}$ $V_{DD} = 10\text{V}$ $V_{DD} = 15\text{V}$ | | | 125 60 50 | ns ns ns |
| t_{PHZ} , t_{PLZ} | Propagation Delay Time Control Input to Signal Output Logical Level to High Impedance Sine Wave Distortion Frequency Response-Switch "ON" (Frequency at -3 dB) | $R_L = 1.0\text{ k}\Omega$, $C_L = 50\text{ pF}$, (Figure 2, Figure 3) $V_{DD} = 5\text{V}$ $V_{DD} = 10\text{V}$ $V_{DD} = 15\text{V}$ $V_C = V_{DD} = 5\text{V}$, $V_{SS} = -5\text{V}$ $R_L = 10\text{ k}\Omega$, $V_{IS} = 5V_{p-p}$, $f = 1\text{ kHz}$, (Figure 4) $V_C = V_{DD} = 5\text{V}$, $V_{SS} = -5\text{V}$, $R_L = 1\text{ k}\Omega$, $V_{IS} = 5V_{p-p}$, $20\text{ Log}_{10} V_{OS}/V_{OS}(1\text{ kHz})$ -dB, (Figure 4) | | 0.1 40 | 125 60 50 | ns ns ns % MHz |
| | Feedthrough — Switch "OFF" (Frequency at -50 dB) Crosstalk Between Any Two Switches (Frequency at -50 dB) Crosstalk; Control Input to Signal Output Maximum Control Input | $V_{DD} = 5.0\text{V}$, $V_{CC} = V_{SS} = -5.0\text{V}$, $R_L = 1\text{ k}\Omega$, $V_{IS} = 5.0V_{p-p}$, 20 Log_{10} , $V_{OS}/V_{IS} = -50\text{ dB}$, (Figure 4) $V_{DD} = V_{C(A)} = 5.0\text{V}$; $V_{SS} = V_{C(B)} = 5.0\text{V}$, $R_L = 1\text{ k}\Omega$, $V_{IS(A)} = 5.0V_{p-p}$, 20 Log_{10} , $V_{OS(B)}/V_{IS(A)} = -50\text{ dB}$ (Figure 5) $V_{DD} = 10\text{V}$, $R_L = 10\text{ k}\Omega$, $R_{IN} = 1.0\text{ k}\Omega$, $V_{CC} = 10\text{V}$ Square Wave, $C_L = 50\text{ pF}$ (Figure 6) $R_L = 1.0\text{ k}\Omega$, $C_L = 50\text{ pF}$, (Figure 7) $V_{OS(f)} = \frac{1}{2} V_{OS}(1.0\text{ kHz})$ $V_{DD} = 5.0\text{V}$ $V_{DD} = 10\text{V}$ $V_{DD} = 15\text{V}$ | | 1.25 0.9 150 6.0 8.0 8.5 | | MHz MHz mV _{p-p} MHz MHz MHz |
| C_{IS} | Signal Input Capacitance | | | 8.0 | | pF |
| C_{OS} | Signal Output Capacitance | $V_{DD} = 10\text{V}$ | | 8.0 | | pF |
| C_{IOS} | Feedthrough Capacitance | $V_C = 0\text{V}$ | | 0.5 | | pF |
| C_{IN} | Control Input Capacitance | | | 5.0 | 7.5 | pF |
| <p>Note 3: AC Parameters are guaranteed by DC correlated testing.</p> <p>Note 4: These devices should not be connected to circuits with the power "ON".</p> <p>Note 5: In all cases, there is approximately 5 pF of probe and jig capacitance in the output; however, this capacitance is included in C_L wherever it is specified.</p> <p>Note 6: V_{IS} is the voltage at the in/out pin and V_{OS} is the voltage at the out/in pin. V_C is the voltage at the control input.</p> <p>Note 7: Conditions for V_{IHC}: a) $V_{IS} = V_{DD}$, $I_{OS} = \text{standard B series } I_{OH}$ b) $V_{IS} = 0\text{V}$, $I_{OL} = \text{standard B series } I_{OL}$.</p> | | | | | | |

Typical Performance Characteristics

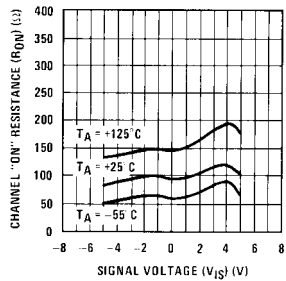
“ON” Resistance vs Signal Voltage for $T_A = 25^\circ\text{C}$



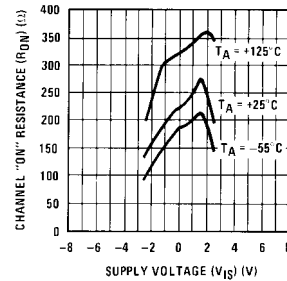
“ON” Resistance as a Function of Temperature for $V_{DD}-V_{SS} = 15\text{V}$



“ON” Resistance as a Function of Temperature for $V_{DD}-V_{SS} = 10\text{V}$



“ON” Resistance as a Function of Temperature for $V_{DD}-V_{SS} = 5\text{V}$



Special Considerations

In applications where separate power sources are used to drive V_{DD} and the signal input, the V_{DD} current capability should exceed V_{DD}/R_L (R_L = effective external load of the 4 CD4066BC bilateral switches). This provision avoids any permanent current flow or clamp action of the V_{DD} supply when power is applied or removed from CD4066BC.

In certain applications, the external load-resistor current may include both V_{DD} and signal-line components. To

avoid drawing V_{DD} current when switch current flows into terminals 1, 4, 8 or 11, the voltage drop across the bidirectional switch must not exceed 0.6V at $T_A \leq 25^\circ\text{C}$, or 0.4V at $T_A > 25^\circ\text{C}$ (calculated from R_{ON} values shown).

No V_{DD} current will flow through R_L if the switch current flows into terminals 2, 3, 9 or 10.

AC Test Circuits and Switching Time Waveforms

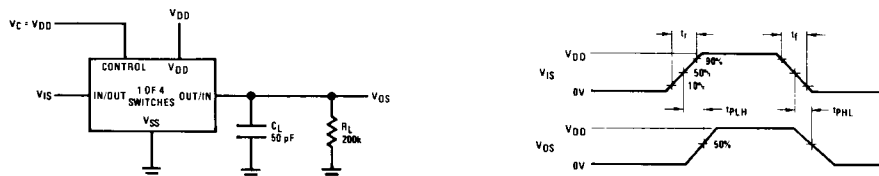


FIGURE 1. t_{PHL} , t_{PLH} Propagation Delay Time Signal Input to Signal Output

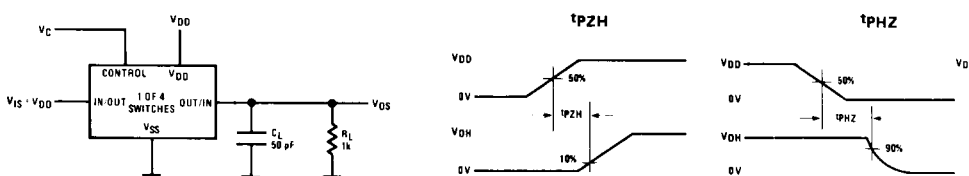


FIGURE 2. t_{PZH} , t_{PHZ} Propagation Delay Time Control to Signal Output

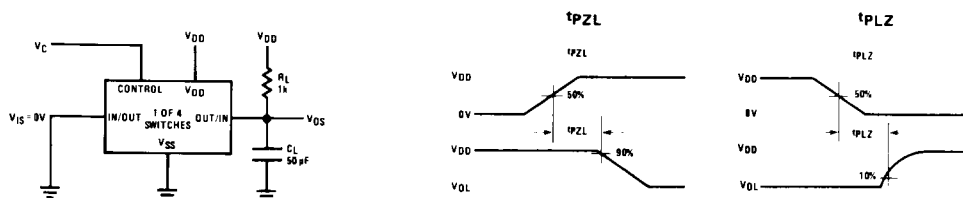
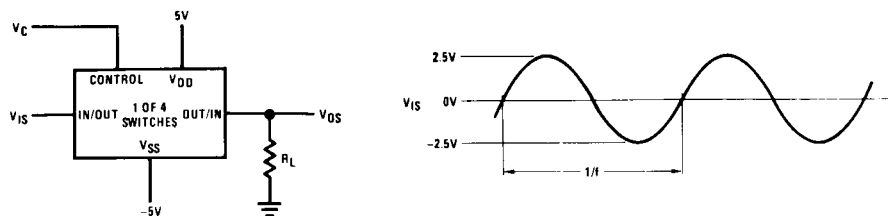


FIGURE 3. t_{PZL} , t_{PLZ} Propagation Delay Time Control to Signal Output



$V_C = V_{DD}$ for distortion and frequency response tests

$V_C = V_{SS}$ for feedthrough test

FIGURE 4. Sine Wave Distortion, Frequency Response and Feedthrough

AC Test Circuits and Switching Time Waveforms (Continued)

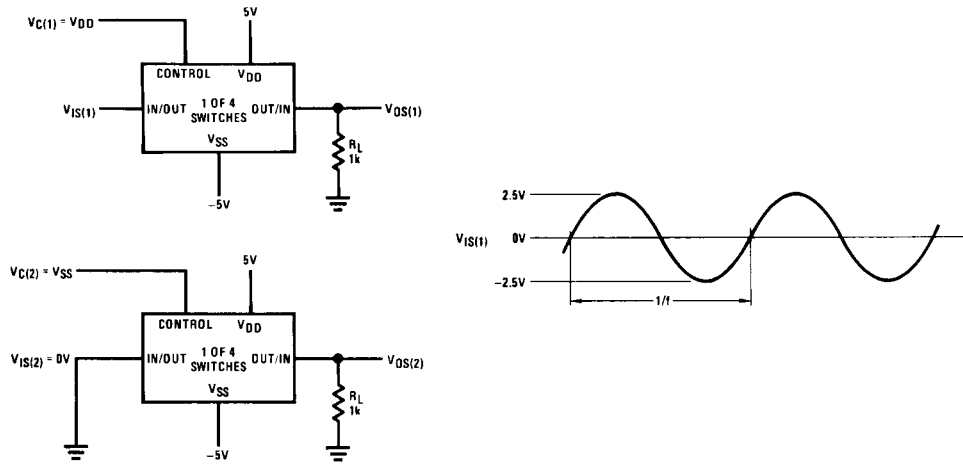


FIGURE 5. Crosstalk Between Any Two Switches

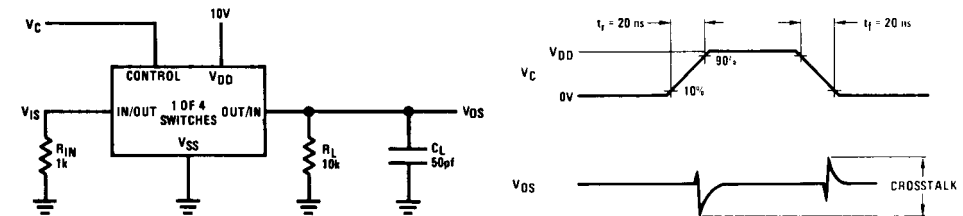


FIGURE 6. Crosstalk: Control Input to Signal Output

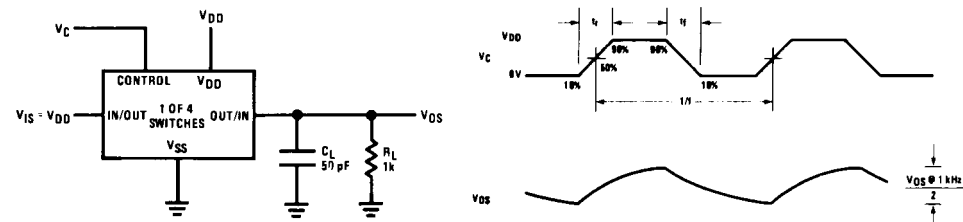
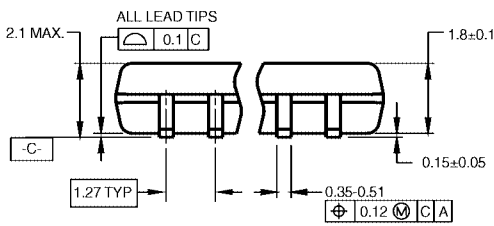
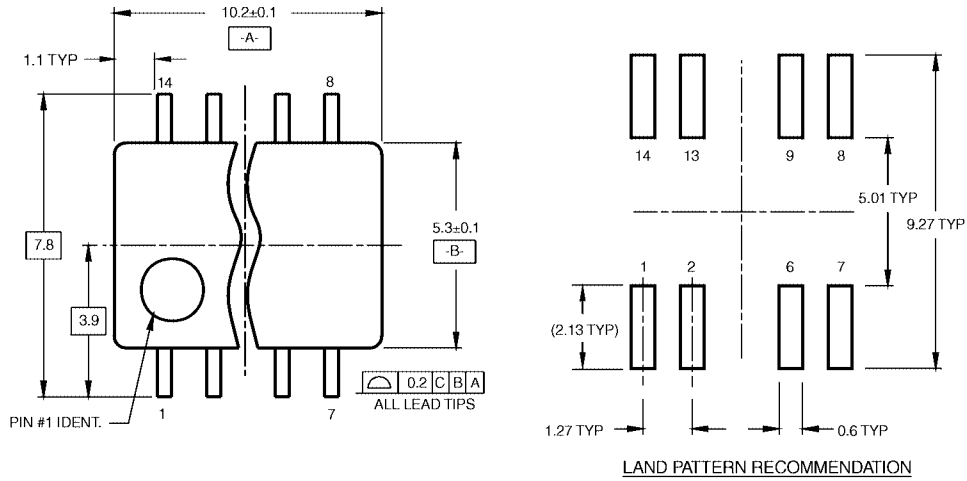


FIGURE 7. Maximum Control Input Frequency

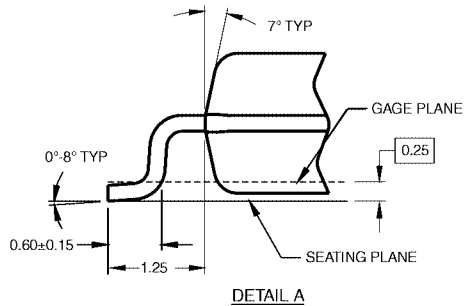
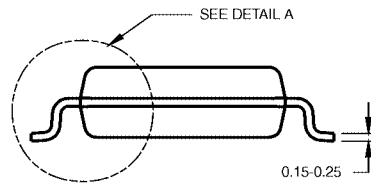
Physical Dimensions inches (millimeters) unless otherwise noted (Continued)



DIMENSIONS ARE IN MILLIMETERS

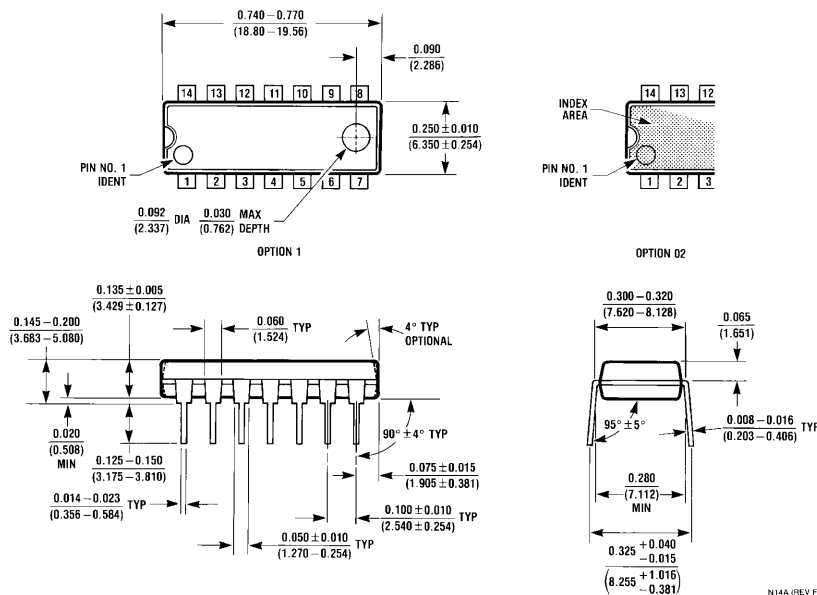
- NOTES:
 A. CONFORMS TO EIAJ EDR-7320 REGISTRATION, ESTABLISHED IN DECEMBER, 1998.
 B. DIMENSIONS ARE IN MILLIMETERS.
 C. DIMENSIONS ARE EXCLUSIVE OF BURRS, MOLD FLASH, AND TIE BAR EXTRUSIONS.

M14DRevB1



**Pb-Free 14-Lead Small Outline Package (SOP), EIAJ TYPE II, 5.3mm Wide
 Package Number M14D**

Physical Dimensions inches (millimeters) unless otherwise noted (Continued)



14-Lead Plastic Dual-In-Line Package (PDIP), JEDEC MS-001, 0.300" Wide Package Number N14A

Fairchild does not assume any responsibility for use of any circuitry described, no circuit patent licenses are implied and Fairchild reserves the right at any time without notice to change said circuitry and specifications.

LIFE SUPPORT POLICY

FAIRCHILD'S PRODUCTS ARE NOT AUTHORIZED FOR USE AS CRITICAL COMPONENTS IN LIFE SUPPORT DEVICES OR SYSTEMS WITHOUT THE EXPRESS WRITTEN APPROVAL OF THE PRESIDENT OF FAIRCHILD SEMICONDUCTOR CORPORATION. As used herein:

1. Life support devices or systems are devices or systems which, (a) are intended for surgical implant into the body, or (b) support or sustain life, and (c) whose failure to perform when properly used in accordance with instructions for use provided in the labeling, can be reasonably expected to result in a significant injury to the user.
2. A critical component in any component of a life support device or system whose failure to perform can be reasonably expected to cause the failure of the life support device or system, or to affect its safety or effectiveness.

www.fairchildsemi.com

Looking for pricing, stock, or lifecycle information?

Click below to explore more details on WIN SOURCE:

-  [View CD4066BCN on WIN SOURCE](#)
-  [Fairchild/ON Semiconductor Information](#)

Optimize Your Supply Chain with WIN SOURCE Solutions

-  Global Sourcing Solution
-  Obsolete Management
-  Cost Control Management
-  Shortage Management
-  Alternative Solution
-  Excess Inventory Management