



# THE DATASHEET OF CDC950DGGR



# CDC950

## 133-MHz DIFFERENTIAL CLOCK SYNTHESIZER/DRIVER FOR PC MOTHERBOARDS/SERVERS

SCAS646B – FEBRUARY 2001 – REVISED OCTOBER 2003

- Generates Clocks for Next Generation Microprocessors
- Uses a 14.318-MHz Crystal Input to Generate Multiple Output Frequencies
- Includes Spread Spectrum Clocking (SSC), 0.6% Downsweep for Reduced EMI With Theoretical EMI of 7 dB
- Power Management Control Terminals
- Low Output Skew and Jitter for Clock Distribution
- Operates From a Single 3.3-V Supply
- Generates the Following Clocks:
  - 8 Host (Diff Pairs, 100/133 MHz)
  - 1 CLK33 (3.3 V, 33.3 MHz)
  - 1 REFCLK (3.3 V, 14.318 MHz)
  - 2 3V48 (3.3 V, 180° Shifted Pairs, 48 MHz)
- Packaged in a 48-Pin TSSOP Package

### description

The CDC950 is a differential clock synthesizer/driver that generates HCLK/HCLK, CLK33, 3V48, and REFCLK system clock signals to support a computer system with next generation processors and double data rate (DDR) memory subsystems.

All output frequencies are generated from a 14.318-MHz crystal input. A reference clock input can be provided at the XIN input instead of a crystal. Two phase-locked loops (PLLs) are used to generate the host frequencies and the 48-MHz clock frequencies. On-chip loop filters and internal feedback eliminate the need for external components.

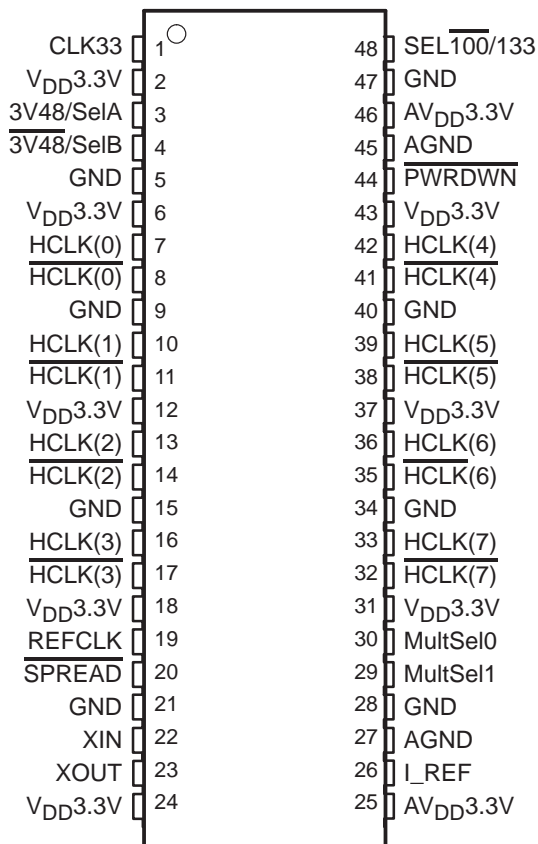
The HCLK, CLK33 clock, and 48-MHz clock outputs provide low-skew/low-jitter clock signals for reliable clock operation. All outputs have 3-state capability, which can be selected through control inputs SEL100/133, 3V48/SelA, and 3V48/SelB.

The outputs are either differential host clock or 3.3-V single-ended CMOS buffers. With a logic high-level on the PWRDWN terminal, the device operates normally. When a logical low-level input is applied, the device powers down completely with the HOST clock at  $2 \times I_{REF}$ , HOSTB is undriven, CLK33, 3V48, and REFCLK outputs are in a low-level output state and 3V48B is in a high-level output state.

The host bus can operate at 100 MHz or 133 MHz. Output frequency selection is done with the corresponding setting for SEL100/133 control input. The CLK33 (PCI) frequency is fixed to 33 MHz.

Since the CDC950 is based on PLL circuitry, it requires a stabilization time to achieve phase-lock of the PLL. This stabilization time is required following power up, as well as following changes to the SEL inputs. With the use of an external reference clock, this signal must be fixed-frequency and fixed-phase prior to stabilization time starts. The CDC950 is characterized for operation from 0°C to 85°C.

DGG PACKAGE  
(TOP VIEW)



Please be aware that an important notice concerning availability, standard warranty, and use in critical applications of Texas Instruments semiconductor products and disclaimers thereto appears at the end of this data sheet.

PRODUCTION DATA information is current as of publication date. Products conform to specifications per the terms of Texas Instruments standard warranty. Production processing does not necessarily include testing of all parameters.



POST OFFICE BOX 655303 • DALLAS, TEXAS 75265

Copyright © 2001 – 2003, Texas Instruments Incorporated



# CDC950

## 133-MHz DIFFERENTIAL CLOCK SYNTHESIZER/DRIVER FOR PC MOTHERBOARDS/SERVERS

SCAS646B – FEBRUARY 2001 – REVISED OCTOBER 2003

### Terminal Functions

TERMINAL NAME	NO.	I/O	DESCRIPTION
3V48/SelA, 3V48/SelB	3, 4	I/O	48-MHz 180° shifted pair clocks for USB use Logic select pins. Selects the mode of operation, see Table 1 for details.
AGND	27, 45	P	Analog ground
AV <sub>DD</sub> 3.3V	25, 46	P	Power. Analog power supply
CLK33	1	O	33-MHz reference clock for PCI use, host clock divided by 3 or by 4
GND	5, 9, 15, 21, 28, 34, 40, 47	P	Ground
HCLK	7, 10, 13, 16, 33, 36, 39, 42	O	CPU and host clock outputs [7:0]. These eight differential CPU clock pairs run at 100/133 MHz. The V <sub>OH</sub> swing amplitude is configured by MultSel0, MultSel1 pins. See Table 5 and Intel's CK00 document for details.
$\overline{\text{HCLK}}$	8, 11, 14, 17, 32, 35, 38, 41	O	CPU and host clock outputs [7:0]. These eight differential CPU clock pairs run at 100/133 MHz. The V <sub>OH</sub> swing amplitude is configured by MultSel0, MultSel1 pins. See Table 5 and Intel's CK00 document for details.
I_REF	26	I	Current reference. This pin establishes the reference current for host clock parts. See Table 5 and Intel's CK00 document for details.
MultSel0	30	I	See Table 5 and Intel's CK00 document for details.
MultSel1	29	I	See Table 5 and Intel's CK00 document for details.
$\overline{\text{PWRDWN}}$	44	I	Power-down input. 3.3-V LVTTTL compatible, asynchronous input that requests the device to enter the power-down mode. See Table 2 for details.
REFCLK	19	O	14.138-MHz reference clock output: 3.3 V copy of the 14.318-MHz reference clock.
SEL100/133	48	I	Active low LVTTTL level logic select. SEL100/133 is used for enabling 100/133 MHz. Low = 100 MHz, high = 133 MHz
$\overline{\text{SPREAD}}$	20	U	Spread spectrum enable. 3.3-V LVTTTL compatible, input that enables the spread spectrum mode when held low. See Table 4 for details.
V <sub>DD</sub> 3.3V	2, 6, 12, 18, 24, 31, 37, 43	P	Power. Power supply
XIN	22	I	Crystal connection or an external reference frequency input. Connect to either a 14.138-MHz crystal or an external reference signal.
XOUT	23	O	Crystal connection. An output connection for an external 14.318-MHz crystal. If using an external reference, this pin must be left unconnected.

**Function Tables**

**Table 1. Select Functions**

INPUTS			OUTPUTS				FUNCTION
SEL100/133	SelA	SelB	HCLK, $\overline{\text{HCLK}}$	CLK33	3V48, $\overline{3V48}$	REFCLK	
0	0	0	100 MHz	33 MHz	48 MHz	14.318 MHz	Active 100 MHz
0	0	1	100 MHz	33 MHz	L, H	14.318 MHz	100 MHz mode; PLL48 powerdown
0	1	0	105 MHz	35 MHz	48 MHz	14.318 MHz	100 MHz mode 5% overclocking
0	1	1	Hi-Z	Hi-Z	Hi-Z	Hi-Z	All 3-state outputs
1	0	0	133 MHz	33 MHz	48 MHz	14.318 MHz	Active 133 MHz
1	0	1	127 MHz	31.7 MHz	48 MHz	14.318 MHz	133 MHz mode -5% underclocking
1	1	0	133 MHz	33 MHz	48 MHz	14.318 MHz	Test mode
1	1	1	TCLK/2	TCLK/8	TCLK/2	TCLK	Test mode (PLL bypass)

**Table 2. Enable Functions**

INPUT	OUTPUTS					
$\overline{\text{PWRDWN}}$	HCLK	$\overline{\text{HCLK}}$	CLK33	3V48	$\overline{3V48}$	REFCLK
0	$2 \times I_{\text{REF}}$	Hi-Z	L	L	H	L
1	On	On	On	On	On	On

**Table 3. Output Buffer Specifications**

BUFFER NAME	V <sub>DD</sub> RANGE (V)	IMPEDANCE ( $\Omega$ )	BUFFER TYPE
3V48, REFCLK	3.135 – 3.465	20–60	TYPE 3
CLK33	3.135 – 3.465	12–55	TYPE 5
HCLK/ $\overline{\text{HCLK}}$	3.135 – 3.465		TYPE X1

**Table 4. Spread Spectrum Functions**

INPUT	OUTPUTS
$\overline{\text{SPREAD}}$	
0	Spread spectrum clocking active, -0.6% at HCLK/ $\overline{\text{HCLK}}$ , CLK33
1	Spread spectrum clocking inactive

# CDC950

## 133-MHz DIFFERENTIAL CLOCK SYNTHESIZER/DRIVER FOR PC MOTHERBOARDS/SERVERS

SCAS646B – FEBRUARY 2001 – REVISED OCTOBER 2003

### Function Tables (Continued)

**Table 5. Host/ $\overline{\text{HOST}}$  Output Buffer Specifications**

INPUT		BOARD TARGET TRACE/TERM Z	REFERENCE R, $I_{REF} = V_{DD}/(3 R_r)$	OUTPUT CURRENT $I_{OH}$	$V_{OH}$ at Z
MultSel0	MultSel1				
<b>0</b>	<b>0</b>	<b>60 <math>\Omega</math></b>	<b><math>R_r = 475\ 1\%</math>, <math>I_{REF} = 2.32\ \text{mA}</math></b>	<b><math>5 \times I_{REF}</math></b>	<b>0.71 V at 60 <math>\Omega</math></b>
0	0	50 $\Omega$	$R_r = 475\ 1\%$ , $I_{REF} = 2.32\ \text{mA}$	$5 \times I_{REF}$	0.59 V at 50 $\Omega$
0	1	60 $\Omega$	$R_r = 475\ 1\%$ , $I_{REF} = 2.32\ \text{mA}$	$6 \times I_{REF}$	0.85 V at 60 $\Omega$
<b>0</b>	<b>1</b>	<b>50 <math>\Omega</math></b>	<b><math>R_r = 475\ 1\%</math>, <math>I_{REF} = 2.32\ \text{mA}</math></b>	<b><math>6 \times I_{REF}</math></b>	<b>0.71 V at 50 <math>\Omega</math></b>
1	0	60 $\Omega$	$R_r = 475\ 1\%$ , $I_{REF} = 2.32\ \text{mA}$	$4 \times I_{REF}$	0.56 V at 60 $\Omega$
1	0	50 $\Omega$	$R_r = 475\ 1\%$ , $I_{REF} = 2.32\ \text{mA}$	$4 \times I_{REF}$	0.47 V at 50 $\Omega$
1	1	60 $\Omega$	$R_r = 475\ 1\%$ , $I_{REF} = 2.32\ \text{mA}$	$7 \times I_{REF}$	0.99 V at 60 $\Omega$
1	1	50 $\Omega$	$R_r = 475\ 1\%$ , $I_{REF} = 2.32\ \text{mA}$	$7 \times I_{REF}$	0.82 V at 50 $\Omega$
0	0	30 (dc equivalent)	$R_r = 221\ 1\%$ , $I_{REF} = 5\ \text{mA}$	$5 \times I_{REF}$	0.75 V at 30 $\Omega$
0	0	25 (dc equivalent)	$R_r = 221\ 1\%$ , $I_{REF} = 5\ \text{mA}$	$5 \times I_{REF}$	0.62 V at 25 $\Omega$
0	1	30 (dc equivalent)	$R_r = 221\ 1\%$ , $I_{REF} = 5\ \text{mA}$	$6 \times I_{REF}$	0.90 V at 30 $\Omega$
0	1	25 (dc equivalent)	$R_r = 221\ 1\%$ , $I_{REF} = 5\ \text{mA}$	$6 \times I_{REF}$	0.75 V at 25 $\Omega$
1	0	30 (dc equivalent)	$R_r = 221\ 1\%$ , $I_{REF} = 5\ \text{mA}$	$4 \times I_{REF}$	0.60 V at 30 $\Omega$
1	0	25 (dc equivalent)	$R_r = 221\ 1\%$ , $I_{REF} = 5\ \text{mA}$	$4 \times I_{REF}$	0.5 V at 25 $\Omega$
1	1	30 (dc equivalent)	$R_r = 221\ 1\%$ , $I_{REF} = 5\ \text{mA}$	$7 \times I_{REF}$	1.05 V at 30 $\Omega$
1	1	25 (dc equivalent)	$R_r = 221\ 1\%$ , $I_{REF} = 5\ \text{mA}$	$7 \times I_{REF}$	0.84 V at 25 $\Omega$

NOTE: The entries in **boldface** are the primary system configurations of interest. The outputs should be optimized for these configurations.

### absolute maximum ratings over operating free-air temperature (unless otherwise noted)<sup>†</sup>

Supply voltage range, $V_{DD}$	-0.5 V to 4.3 V
Input voltage range, $V_I$ (see Note 1)	-0.5 V to $V_{DD} + 0.5\ \text{V}$
Voltage range applied to any output in the high-impedance or power-off state, $V_O$ (see Note 1)	-0.5 V to $V_{DD} + 0.5\ \text{V}$
Current into any output in the low state, $I_O$	$2 \times$ rated $I_{OL}$
Input clamp current, $I_{IK}$ : ( $V_I < 0$ )	-50 mA
( $V_I > V_{DD}$ )	50 mA
Output clamp current, $I_{OK}$ : ( $V_O < 0$ )	-50 mA
( $V_O > V_{DD}$ )	50 mA
Package thermal impedance, $\theta_{JA}$ (see Note 2)	89°C/W
Maximum power dissipation at $T_A = 55^\circ\text{C}$ (in still air) (see Note 3)	1070 mW
Operating free-air temperature range, $T_A$	-0°C to 85°C
Storage temperature range, $T_{stg}$	-65°C to 150°C
Lead temperature 1,6 mm (1/16 inch) from case for 10 seconds	260°C

<sup>†</sup> Stresses beyond those listed under “absolute maximum ratings” may cause permanent damage to the device. These are stress ratings only, and functional operation of the device at these or any other conditions beyond those indicated under “recommended operating conditions” is not implied. Exposure to absolute-maximum-rated conditions for extended periods may affect device reliability.

- NOTES:
- The input and output negative-voltage ratings may be exceeded if the input and output clamp-current ratings are observed.
  - The package thermal impedance is calculated in accordance with EIA/JEDEC Std JESD51, except for the through-hole packages, which use a trace length of zero.
  - The maximum package power dissipation is calculated using a junction temperature of 150°C and a board trace length of 750 mils. For more information, refer to the *Package Thermal Considerations* application note in the *ABT Advanced BiCMOS Technology Data Book*, literature number SCBD002.



# CDC950

## 133-MHz DIFFERENTIAL CLOCK SYNTHESIZER/DRIVER FOR PC MOTHERBOARDS/SERVERS

SCAS646B – FEBRUARY 2001 – REVISED OCTOBER 2003

DISSIPATION RATING TABLE

PACKAGE	$T_A \leq 25^\circ\text{C}$ POWER RATING	DERATING FACTOR† ABOVE $T_A = 25^\circ\text{C}$	$T_A = 70^\circ\text{C}$ POWER RATING	$T_A = 85^\circ\text{C}$ POWER RATING
DGG	1400 mW	11.2 mW/°C	900 mW	730 mW

† This is the inverse of the traditional junction-to-case thermal resistance ( $R_{\theta JA}$ ) and uses a board-mounted device at 89°C/W

### recommended operating conditions (see Note 4)

		MIN	NOM‡	MAX	UNIT	
Supply voltages, $V_{DD}$ , $AV_{DD}$		3.135	3.3	3.465	V	
High-level input voltage, $V_{IH}$		2				
Low-level input voltage, $V_{IL}$		0.8				
Input voltage, $V_I$		-0.3	$V_{DD} + 0.3$			
High-level output current, $I_{OH}$	HCLK/HCLK				mA	
	CLK33					
	3V48/SelA and 3V48/SelB					
	REFCLK					
Low-level output current, $I_{OL}$	HCLK/HCLK	0				
	CLK33	12				
	3V48/SelA and 3V48/SelB	9				
	REFCLK	9				
Reference frequency, $f_{(XIN)}^{\S}$	Test mode		14		MHz	
Crystal, $f_{(XTAL)}^{\parallel}$	Normal mode		13.8	14.318		14.8
Operating free-air temperature, $T_A$		0		85		°C

‡ All nominal values are measured at their respective nominal  $V_{DD}$  values.

§ Reference frequency is a test clock driven on the XIN input during the device test mode or normal mode. In test mode, XIN can be driven externally up to  $f_{(XIN)} = 16$  MHz. If XIN is driven externally, XOUT is floating.

¶ This is a series fundamental crystal with  $f_0 = 14.31818$  MHz

NOTE 4: Unused inputs must be held high or low to prevent them from floating.

# CDC950

## 133-MHz DIFFERENTIAL CLOCK SYNTHESIZER/DRIVER FOR PC MOTHERBOARDS/SERVERS

SCAS646B – FEBRUARY 2001 – REVISED OCTOBER 2003

**electrical characteristics over recommended operating free-air temperature range (unless otherwise noted)**

PARAMETER		TEST CONDITIONS		MIN	TYP†	MAX	UNIT
V <sub>IK</sub>	Input clamp voltage	V <sub>DD</sub> = 3.135 V, I <sub>I</sub> = -18 mA				-1.2	V
I <sub>IH</sub>	High-level input current	All inputs except SelA, SelB	V <sub>DD</sub> = 3.465 V, V <sub>I</sub> = V <sub>DD</sub>			5	μA
I <sub>IL</sub>	Low-level input current	All inputs except SelA, SelB	V <sub>DD</sub> = 3.465 V, V <sub>I</sub> = GND			-5	μA
I <sub>OZ</sub>	High-impedance-state output current	All outputs including SelA, SelB	V <sub>DD</sub> = 3.465 V 3V48/SelA, 3V48/SelB = H, SEL100/133 = L, V <sub>O</sub> = V <sub>DD</sub> or GND, PWRDWN = H			±10	μA
I <sub>DD(Z)</sub>	High-impedance-state supply current‡		V <sub>DD</sub> = 3.465 V 3V48/SelA, 3V48/SelB = H, SEL100/133 = L, PWRDWN = H		19	25	mA
I <sub>DD(PD)</sub>		SelA, SelB = L R <sub>(ref)</sub> = 475 Ω	VDD Supply		43	47	mA
A <sub>I</sub> DD(PD)	PWRDWN state supply current‡	PWRDWN = L	AVDD Supply		3.4	4.2	mA
I <sub>DD(D)</sub>	Dynamic supply current‡	V <sub>DD</sub> = 3.465 V, R <sub>ref</sub> = 475 Ω, I <sub>O</sub> = 6 × I <sub>ref</sub>	PWRDWN = H SSC = ON/OFF C <sub>L</sub> = MAX	100 MHz	173	190	mA
				133 MHz	183	200	
A <sub>I</sub> DD	Analog power supply current	V <sub>DD</sub> = 3.465 V	100 MHz and SSC off		19	24	mA
			133 MHz and SSC off		26	33	
			100 MHz and SSC on		26	33	
			133 MHz and SSC on		35	45	
C <sub>I</sub>	Input capacitance§	V <sub>DD</sub> = 3.3 V, V <sub>I</sub> = V <sub>DD</sub> or GND		2		5	pF
C <sub>(XTAL)</sub>	Crystal load capacitance¶	Effective capacity between C <sub>IN</sub> and C <sub>OUT</sub>		13.5		22.5	

† All typical values are measured at their respective nominal V<sub>DD</sub> values.

‡ C<sub>L</sub> = MAX = 5 pF, R<sub>S</sub> = 33.2 Ω, R<sub>p</sub> = 49.9 Ω at HCLK/HCLK (Type X1)

C<sub>L</sub> = MAX = 20 pF, R<sub>L</sub> = 500 Ω at 48 MHz, REF (Type 3)

C<sub>L</sub> = MAX = 30 pF, R<sub>L</sub> = 500 Ω at CLK33 (Type 5)

§ These parameters are assured by design and lab characterization, not 100% production tested.

¶ This is the corresponding capacitive load for the XTAL in this oscillator application (Pierce oscillator)

**CDC950****133-MHz DIFFERENTIAL CLOCK SYNTHESIZER/DRIVER FOR PC MOTHERBOARDS/SERVERS**

SCAS646B – FEBRUARY 2001 – REVISED OCTOBER 2003

electrical characteristics over recommended operating free-air temperature range (unless otherwise noted) (continued)

**HCLK/HCLK (Type X1)**

PARAMETER		TEST CONDITIONS		MIN	TYP†	MAX	UNIT
$r_o$	Output resistance			3000			$\Omega$
$V_O$	Output voltage			1.2			V
$I_O$	Output current	$V_{DD} = 3.30\text{ V nom}$	All combinations of Table 5, See Note 5	-7%		7%	mA
		$V_{DD} = 3.30\text{ V, } \pm 5\%$		-12%		12%	
$C_O$	Output capacitance	$V_{DD} = 3.30\text{ V nom}$	$V_O = V_{DD}\text{ GND}$	3.5			pF

NOTE 5:  $I_{(NOM)}$  is output current ( $I_{OH}$ ) of table 5.**3V48, 3V48REFCLK (Type 3)**

PARAMETER		TEST CONDITIONS		MIN	TYP†	MAX	UNIT
$V_{OH}$	High-level output voltage	$V_{DD} = \text{min to max, } I_{OH} = -1\text{ mA}$		$V_{DD} - 0.1$			V
		$V_{DD} = 3.135\text{ V, } I_{OH} = -14\text{ mA}$		2.4			
$V_{OL}$	Low-level output voltage	$V_{DD} = \text{min to max, } I_{OL} = 1\text{ mA}$		0.1			V
		$V_{DD} = 3.135\text{ V, } I_{OL} = 9\text{ mA}$		0.18 0.4			
$I_{OH}$	High-level output current	$V_{DD} = 3.135\text{ V, } V_O = 1\text{ V}$		-29			mA
		$V_{DD} = 3.3\text{ V, } V_O = 1.65\text{ V}$		-37			
		$V_{DD} = 3.465\text{ V, } V_O = 3.135\text{ V}$		-11 -23			
$I_{OL}$	Low-level output current	$V_{DD} = 3.135\text{ V, } V_O = 1.95\text{ V}$		29			mA
		$V_{DD} = 3.3\text{ V, } V_O = 1.65\text{ V}$		39			
		$V_{DD} = 3.465\text{ V, } V_O = 0.4\text{ V}$		16 27			
$C_O$	Output capacitance	$V_{DD} = 3.3\text{ V, } V_O = V_{DD}\text{ or GND}$		4.5		7	pF
$Z_O$	Output impedance	High state	$V_O = 0.5\text{ }V_{DD}, V_O/I_{OH}$	20	40	60	$\Omega$
		Low state	$V_O = 0.5\text{ }V_{DD}, V_O/I_{OL}$	20	40	60	

† All typical values are measured at their respective nominal  $V_{DD}$  values.

# CDC950

## 133-MHz DIFFERENTIAL CLOCK SYNTHESIZER/DRIVER FOR PC MOTHERBOARDS/SERVERS

SCAS646B – FEBRUARY 2001 – REVISED OCTOBER 2003

electrical characteristics over recommended operating free-air temperature range (unless otherwise noted) (continued)

### CLK33 (Type 5)

PARAMETER		TEST CONDITIONS		MIN	TYP†	MAX	UNIT
V <sub>OH</sub>	High-level output voltage	V <sub>DD</sub> = min to max, I <sub>OH</sub> = -1 mA		V <sub>DD</sub> - 0.1			V
		V <sub>DD</sub> = 3.135 V, I <sub>OH</sub> = -18 mA		2.4			
V <sub>OL</sub>	Low-level output voltage	V <sub>DD</sub> = min to max, I <sub>OL</sub> = 1 mA				0.1	V
		V <sub>DD</sub> = 3.135 V, I <sub>OL</sub> = 12 mA			0.15	0.4	
I <sub>OH</sub>	High-level output current	V <sub>DD</sub> = 3.135 V, V <sub>O</sub> = 1 V		-33			mA
		V <sub>DD</sub> = 3.3 V, V <sub>O</sub> = 1.65 V		-53			
		V <sub>DD</sub> = 3.465 V, V <sub>O</sub> = 3.135 V		-16	-33		
I <sub>OL</sub>	Low-level output current	V <sub>DD</sub> = 3.135 V, V <sub>O</sub> = 1.95 V		30			mA
		V <sub>DD</sub> = 3.3 V, V <sub>O</sub> = 1.65 V		51			
		V <sub>DD</sub> = 3.465 V, V <sub>O</sub> = 0.4 V		21	38		
C <sub>O</sub>	Output capacitance	V <sub>DD</sub> = 3.3 V, V <sub>O</sub> = V <sub>DD</sub> or GND		4.5		7.5	pF
Z <sub>O</sub>	Output impedance	High state	V <sub>O</sub> = 0.5 V <sub>DD</sub> , V <sub>O</sub> /I <sub>OH</sub>	12	35	55	Ω
		Low state	V <sub>O</sub> = 0.5 V <sub>DD</sub> , V <sub>O</sub> /I <sub>OL</sub>	12	35	55	

† All typical values are measured at their respective nominal V<sub>DD</sub> values.

### switching characteristics, V<sub>DD</sub> = 3.135 V to 3.465 V, T<sub>A</sub> = 0°C to 85°C

PARAMETER	FROM (INPUT)	TO (OUTPUT)	TEST CONDITIONS	MIN	TYP	MAX	UNIT
V <sub>(over)</sub>	Overshoot†		HCLK/HCLK 0.7-V amplitude		V <sub>OH</sub> + 200		mV
V <sub>(under)</sub>	Undershoot†				V <sub>OL</sub> - 200		
V <sub>(over)</sub>	Overshoot†		Other clocks, C <sub>L</sub> = worst case	GND - 0.7			V
V <sub>(under)</sub>	Undershoot†			V <sub>DD</sub> + 0.7			
t <sub>PZL</sub>	Output enable time from low level	SEL100/133	All outputs SEL100/133 ↑ R <sub>ref</sub> = 475 Ω			10	ns
t <sub>PZH</sub>	Output enable time to high level	SEL100/133	All outputs SEL100/133 ↑ R <sub>ref</sub> = 475 Ω			10	
t <sub>PHZ</sub>	Output disable time from high level	SEL100/133	All outputs SEL100/133 ↓ R <sub>ref</sub> = 475 Ω			10	
t <sub>PLZ</sub>	Output disable time from low level	SEL100/133	All outputs SEL100/133 ↓ R <sub>ref</sub> = 475 Ω			10	
t <sub>s</sub>	Stabilization time‡	V <sub>DD</sub>	All outputs	After power up		0.1	ms
		PWRDWN	All outputs	From PWRDWN ↑		0.25	ms

† These parameters are assured by design and lab characterization, not 100% production tested.

‡ Stabilization time is the time required for the integrated PLL circuit to obtain phase lock of its feedback signal to its reference signal. In order for phase lock to be obtained, a fixed-frequency, fixed-phase reference signal must be present at XIN. Until phase lock is obtained, the specifications for propagation delay and skew parameters given in the switching characteristics tables are not applicable. Stabilization time is defined as the time since V<sub>DD</sub> achieves its nominal operating level (3.3 V) or PWRDWN transition from a low to a high level (2 V) until the output frequency is stable and operating within specification.

# CDC950

## 133-MHz DIFFERENTIAL CLOCK SYNTHESIZER/DRIVER FOR PC MOTHERBOARDS/SERVERS

SCAS646B – FEBRUARY 2001 – REVISED OCTOBER 2003

switching characteristics,  $V_{DD} = 3.135\text{ V to }3.465\text{ V}$ ,  $T_A = 0^\circ\text{C to }85^\circ\text{C}$  (continued)

HCLK/HCLK (Type X1),  $C_L = 2\text{ pF}$ ,  $R_{ref} = 475\ \Omega$ ,  $6 \times R_{ref}$

PARAMETER		TEST CONDITIONS	MIN	TYP	MAX	UNIT
HCLK clock period <sup>†</sup>		$f(\text{HCLK}) = 100\text{ MHz}$	10		10.2	ns
		$f(\text{HCLK}) = 133\text{ MHz}$	7.5		7.65	
$T_{jit(cc)}$ Cycle-to-cycle jitter		$f(\text{HCLK}) = 100\text{ or }133\text{ MHz}$	SSC off	-80	80	ps
			SSC on	-110	110	
$t_{dc}$ Duty cycle		$f(\text{HCLK}) = 100\text{ or }133\text{ MHz}$ , Crossing point	45%		55%	
$t_{sk(o)}$ HCLK bus skew		$f(\text{HCLK}) = 100\text{ or }133\text{ MHz}$ , Crossing point		70		ps
$t_r$ Rise time <sup>†</sup>	0.7-V amplitude	$V_O = 0.14\text{ V to }0.56\text{ V}$		175	700	ps
$t_f$ Fall time <sup>†</sup>				175	700	
$V_{(cross)}$ Cross point voltages <sup>†</sup>	0.7-V amplitude	$f(\text{HCLK}) = 100\text{ or }133\text{-MHz}$ HCLK and HCLK	45% $V_{OH}$		55% $V_{OH}$	V

<sup>†</sup> These parameters are assured by design and lab characterization, not 100% production tested.

<sup>‡</sup> The average over any 1- $\mu\text{s}$  period of time is greater than the minimum specified period.

CLK33 (Type 5),  $C_L = 30\text{ pF}$ ,  $R_L = 500\ \Omega$

PARAMETER		TEST CONDITIONS	MIN	TYP	MAX	UNIT
PCI clock period <sup>†</sup>		$f(\text{HCLK}) = 100\text{ or }133\text{ MHz}$	30	30.06	30.6	ns
$T_{jit(cc)}$ Cycle-to-cycle jitter		$f(\text{HCLK}) = 100\text{ or }133\text{ MHz}$	-150		150	ps
$t_{(dc)}$ Duty cycle		$f(\text{CLK33}) = 33.3\text{ MHz}$	45%		55%	
$t_r$ Rise time		$V_O = 0.4\text{ V to }2.4\text{ V}$	0.5		2	ns
$t_f$ Fall time		$V_O = 0.4\text{ V to }2.4\text{ V}$	0.5		2	

<sup>†</sup> The average over any 1- $\mu\text{s}$  period of time is greater than the minimum specified period.

3V48 (Type 3),  $C_L = 20\text{ pF}$ ,  $R_L = 500\ \Omega$

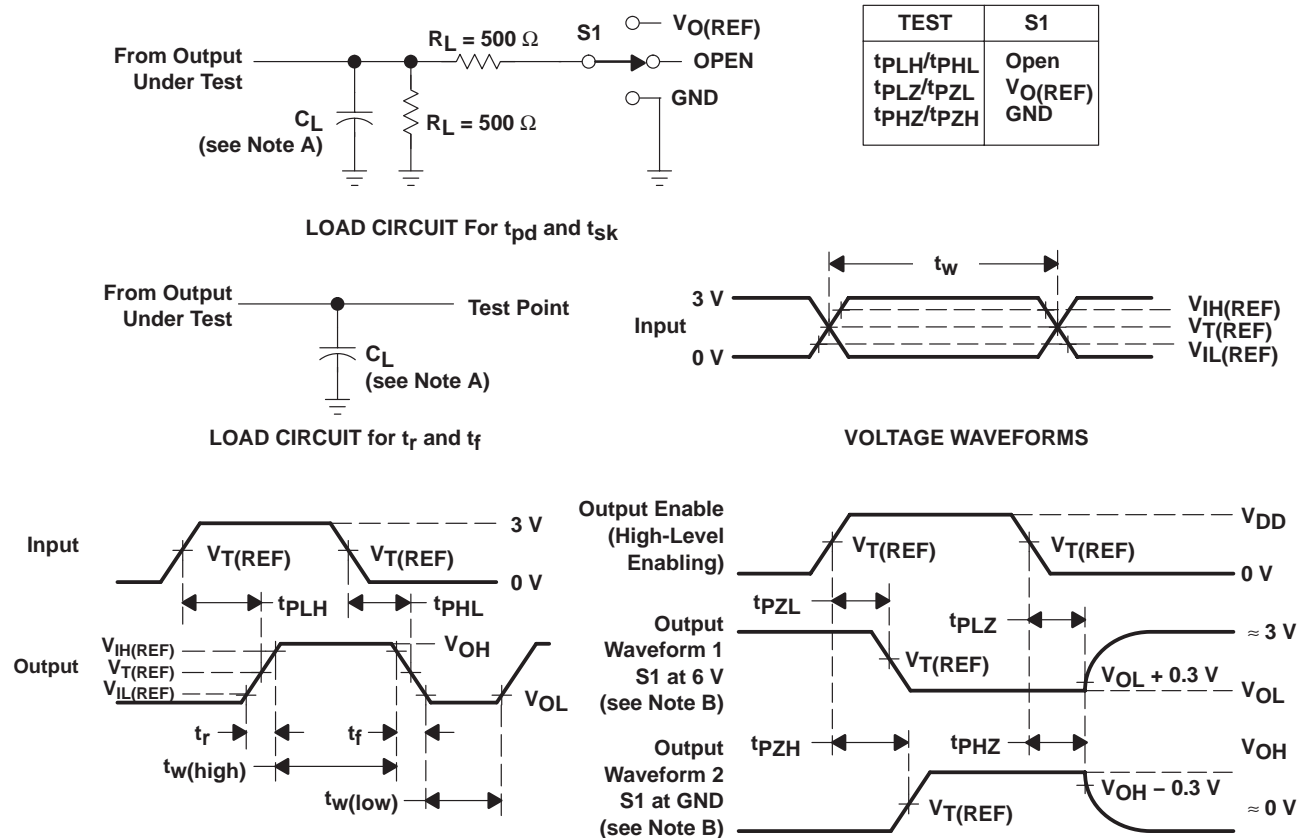
PARAMETER		TEST CONDITIONS	MIN	TYP	MAX	UNIT
3V48 clock period		$f(\text{HCLK}) = 100\text{ or }133\text{ MHz}$		20.83		ns
$T_{jit(cc)}$ Cycle-to-cycle jitter		$f(\text{HCLK}) = 100\text{ or }133\text{ MHz}$	-300		300	ps
$t_{dc}$ Duty cycle		$f(3V48) = 48\text{ MHz}$	45%		55%	
$t_r$ Rise time		$V_O = 0.4\text{ V to }2.4\text{ V}$	1		4	ns
$t_f$ Fall time		$V_O = 0.4\text{ V to }2.4\text{ V}$	1		4	

REF (Type 3),  $C_L = 20\text{ pF}$ ,  $R_L = 500\ \Omega$

PARAMETER		TEST CONDITIONS	MIN	TYP	MAX	UNIT
REF clock period		$f(\text{REF}) = 14.318\text{ MHz}$		69.84		ns
$T_{jit(cc)}$ Cycle-to-cycle jitter		$f(\text{HCLK}) = 100\text{ or }133\text{ MHz}$	-0.5		0.5	
$t_{(dc)}$ Duty cycle		$f(\text{REF}) = 14.318\text{ MHz}$	45%		55%	
$t_r$ Rise time		$V_O = 0.4\text{ V to }2.4\text{ V}$	1		4	ns
$t_f$ Fall time		$V_O = 0.4\text{ V to }2.4\text{ V}$	1		4	



**PARAMETER MEASUREMENT INFORMATION**



**VOLTAGE WAVEFORMS**

- NOTES: A. C<sub>L</sub> includes probe and jig capacitance. C<sub>L</sub> = 2 pF (HCLK,  $\overline{\text{HCLK}}$ ), C<sub>L</sub> = 20 pF (48 MHz, REF), C<sub>L</sub> = 30 pF (CLK33).  
 B. Waveform 1 is for an output with internal conditions such that the output is low except when disabled by the output control. Waveform 2 is for an output with internal conditions such that the output is high except when disabled by the output control.  
 C. All input pulses are supplied by generators having the following characteristics: PRR ≤ 14.318 MHz, Z<sub>O</sub> = 50 Ω, t<sub>r</sub> ≤ 2.5 ns, t<sub>f</sub> ≤ 2.5 ns.  
 D. The outputs are measured one at a time with one transition per measurement.

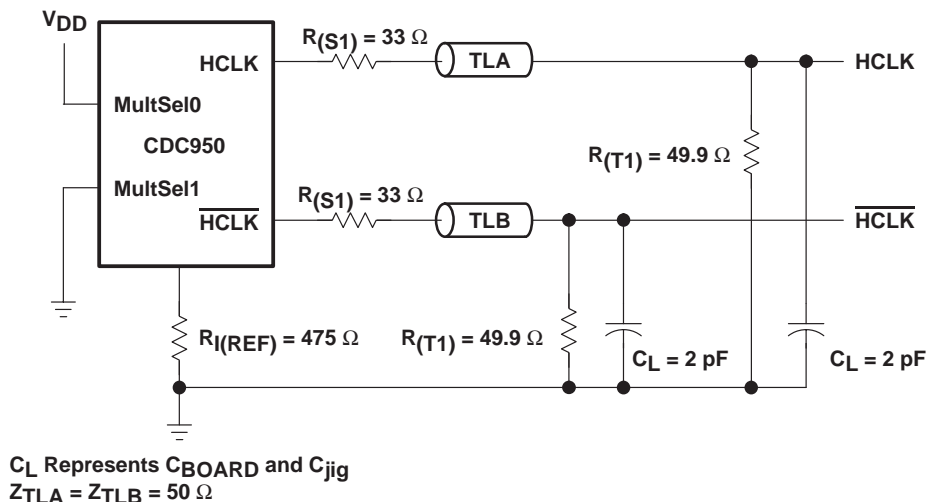
PARAMETER		3.3-V INTERFACE	UNIT
V <sub>IH(REF)</sub>	High-level reference voltage	2.4	V
V <sub>IL(REF)</sub>	Low-level reference voltage	0.4	
V <sub>T(REF)</sub>	Input threshold reference voltage	1.5	
V <sub>O(REF)</sub>	Off-state reference voltage	6	

**Figure 1. Load Circuit and Voltage Waveforms**

**CDC950**  
**133-MHz DIFFERENTIAL CLOCK SYNTHESIZER/DRIVER FOR**  
**PC MOTHERBOARDS/SERVERS**

SCAS646B – FEBRUARY 2001 – REVISED OCTOBER 2003

**APPLICATION INFORMATION**

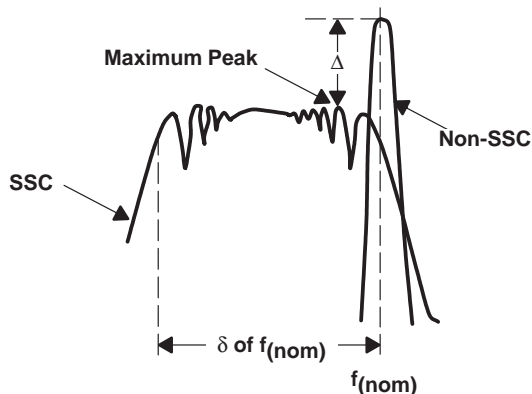


**Figure 2. Load Circuit for HCLK Bus**

**spread spectrum clock (SSC) implementation for CDC950**

Simultaneously switching at a fixed frequency generates a significant power peak at the selected frequency, which in turn causes EMI disturbance to the environment. The purpose of the internal frequency modulation of the CPU-PLL allows energy to be distributed to many different frequencies which reduces the power peak.

A typical characteristic for a single frequency spectrum and a frequency modulated spectrum is shown in Figure 3.



**Figure 3. Frequency Power Spectrum With and Without the Use of SSC**

The modulated spectrum has its distribution (left side) associated with the single-frequency spectrum which indicates a down-spread modulation.

The peak reduction depends on the modulation scheme and modulation profile. System performance and timing requirements are the limiting factors for actual design implementations. The implementation was driven to keep the average clock frequency close to its upper specification limit. The modulation amount was set to approximately -0.6%.

To allow a downstream PLL to follow the frequency modulated signal, the bandwidth of the modulation signal is limited in order to minimize SSC induced tracking skew jitter. The modulation frequency is approximately 31 kHz.

# CDC950

## 133-MHz DIFFERENTIAL CLOCK SYNTHESIZER/DRIVER FOR PC MOTHERBOARDS/SERVERS

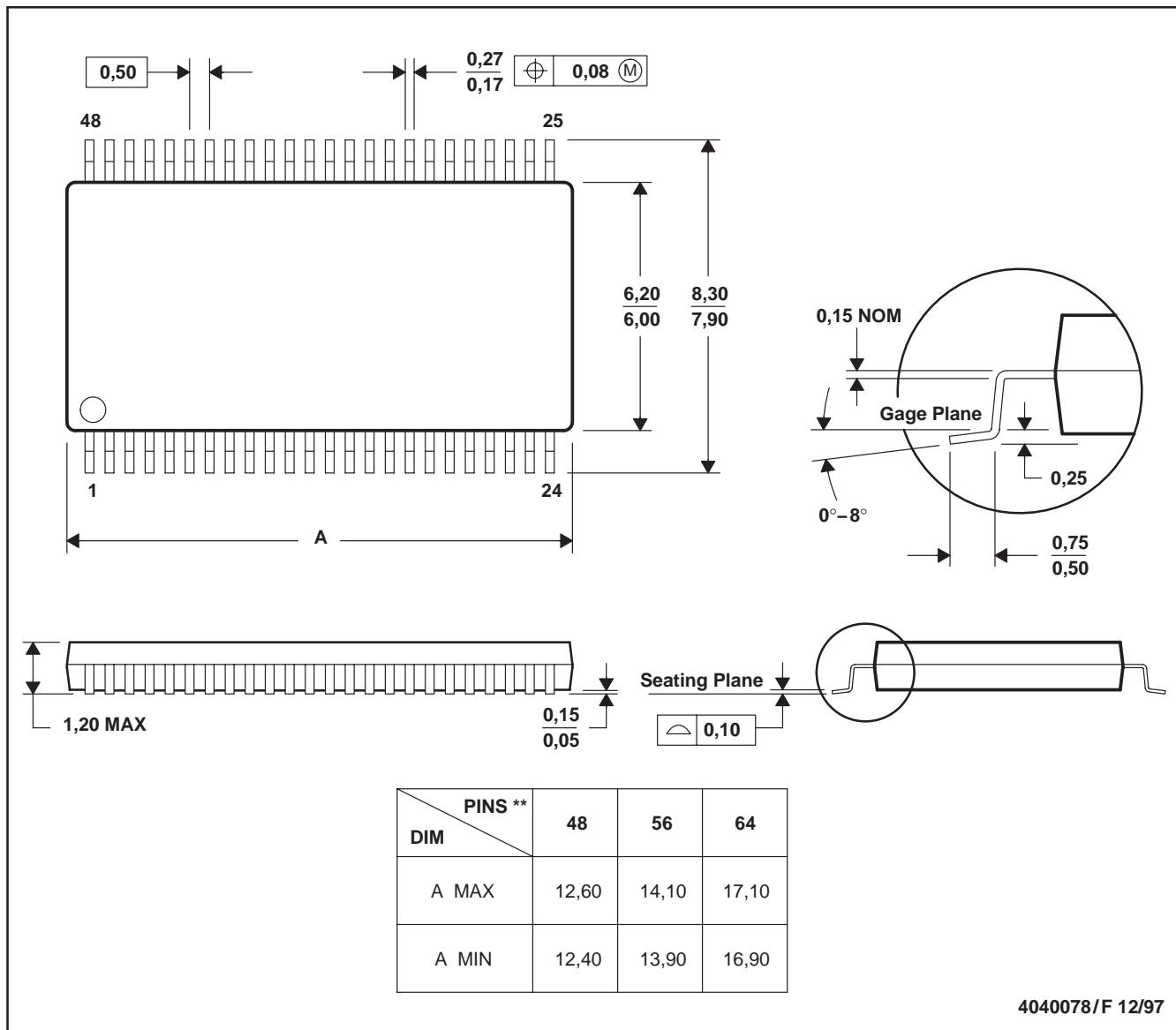
SCAS646B – FEBRUARY 2001 – REVISED OCTOBER 2003

### MECHANICAL DATA

DGG (R-PDSO-G\*\*)

PLASTIC SMALL-OUTLINE PACKAGE

48 PINS SHOWN



- NOTES:
- A. All linear dimensions are in millimeters.
  - B. This drawing is subject to change without notice.
  - C. Body dimensions do not include mold protrusion not to exceed 0,15.
  - D. Falls within JEDEC MO-153

## IMPORTANT NOTICE

Texas Instruments Incorporated and its subsidiaries (TI) reserve the right to make corrections, modifications, enhancements, improvements, and other changes to its products and services at any time and to discontinue any product or service without notice. Customers should obtain the latest relevant information before placing orders and should verify that such information is current and complete. All products are sold subject to TI's terms and conditions of sale supplied at the time of order acknowledgment.

TI warrants performance of its hardware products to the specifications applicable at the time of sale in accordance with TI's standard warranty. Testing and other quality control techniques are used to the extent TI deems necessary to support this warranty. Except where mandated by government requirements, testing of all parameters of each product is not necessarily performed.

TI assumes no liability for applications assistance or customer product design. Customers are responsible for their products and applications using TI components. To minimize the risks associated with customer products and applications, customers should provide adequate design and operating safeguards.

TI does not warrant or represent that any license, either express or implied, is granted under any TI patent right, copyright, mask work right, or other TI intellectual property right relating to any combination, machine, or process in which TI products or services are used. Information published by TI regarding third-party products or services does not constitute a license from TI to use such products or services or a warranty or endorsement thereof. Use of such information may require a license from a third party under the patents or other intellectual property of the third party, or a license from TI under the patents or other intellectual property of TI.

Reproduction of information in TI data books or data sheets is permissible only if reproduction is without alteration and is accompanied by all associated warranties, conditions, limitations, and notices. Reproduction of this information with alteration is an unfair and deceptive business practice. TI is not responsible or liable for such altered documentation.

Resale of TI products or services with statements different from or beyond the parameters stated by TI for that product or service voids all express and any implied warranties for the associated TI product or service and is an unfair and deceptive business practice. TI is not responsible or liable for any such statements.

Following are URLs where you can obtain information on other Texas Instruments products and application solutions:

<b>Products</b>		<b>Applications</b>	
Amplifiers	<a href="http://amplifier.ti.com">amplifier.ti.com</a>	Audio	<a href="http://www.ti.com/audio">www.ti.com/audio</a>
Data Converters	<a href="http://dataconverter.ti.com">dataconverter.ti.com</a>	Automotive	<a href="http://www.ti.com/automotive">www.ti.com/automotive</a>
DSP	<a href="http://dsp.ti.com">dsp.ti.com</a>	Broadband	<a href="http://www.ti.com/broadband">www.ti.com/broadband</a>
Interface	<a href="http://interface.ti.com">interface.ti.com</a>	Digital Control	<a href="http://www.ti.com/digitalcontrol">www.ti.com/digitalcontrol</a>
Logic	<a href="http://logic.ti.com">logic.ti.com</a>	Military	<a href="http://www.ti.com/military">www.ti.com/military</a>
Power Mgmt	<a href="http://power.ti.com">power.ti.com</a>	Optical Networking	<a href="http://www.ti.com/opticalnetwork">www.ti.com/opticalnetwork</a>
Microcontrollers	<a href="http://microcontroller.ti.com">microcontroller.ti.com</a>	Security	<a href="http://www.ti.com/security">www.ti.com/security</a>
		Telephony	<a href="http://www.ti.com/telephony">www.ti.com/telephony</a>
		Video & Imaging	<a href="http://www.ti.com/video">www.ti.com/video</a>
		Wireless	<a href="http://www.ti.com/wireless">www.ti.com/wireless</a>

Mailing Address: Texas Instruments  
Post Office Box 655303 Dallas, Texas 75265

Copyright © 2003, Texas Instruments Incorporated

## Looking for pricing, stock, or lifecycle information?

Click below to explore more details on WIN SOURCE:

 [View CDC950DGGR](#) on WIN SOURCE

 [Texas Instruments](#) Information

## Optimize Your Supply Chain with WIN SOURCE Solutions

-  Global Sourcing Solution
-  Obsolete Management
-  Cost Control Management
-  Shortage Management
-  Alternative Solution
-  Excess Inventory Management