



THE DATASHEET OF CDCDLP223PWR



3.3 V Clock Synthesizer for DLP™ Systems

FEATURES

- High-Performance Clock Synthesizer
- Uses a 20 MHz Crystal Input to Generate Multiple Output Frequencies
- Integrated Load Capacitance for 20 MHz Oscillator Reducing System Cost
- All PLL Loop Filter Components are Integrated
- Generates the Following Clocks:
 - REF CLK 20 MHz (Buffered)
 - XCG CLK 100 MHz With SSC
 - DMD CLK 200-400 MHz With Selectable SSC
- Very Low Period Jitter Characteristic:
 - ± 100 ps at 20 MHz Output
 - ± 75 ps at 100 MHz and 200–400 MHz Outputs
- Includes Spread-Spectrum Clocking (SSC), With Down Spread for 100 MHz and Center Spread for 200–400 MHz
- HCLK Differential Outputs for the 100 MHz and the 200–400 MHz Clock
- Operates From Single 3.3-V Supply
- Packaged in TSSOP20
- Characterized for the Industrial Temperature Range -40°C to 85°C
- ESD Protection Exceeds JESD22
- 2000-V Human-Body Model (A114-C) – MIL-STD-883, Method 3015

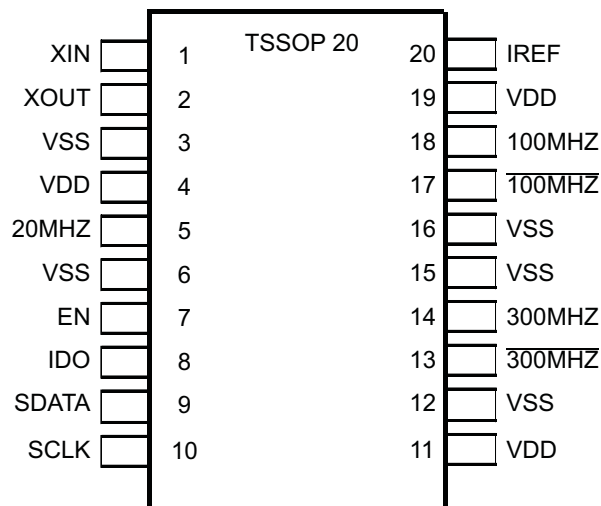
TYPICAL APPLICATIONS

- Central Clock Generator for DLP™ Systems

DESCRIPTION

The CDCDLP223 is a PLL-based high performance clock synthesizer that is optimized for use in DLP™ systems. It uses a 20 MHz crystal to generate the fundamental frequency and derives the frequencies for the 100 MHz HCLK and the 300 MHz HCLK output. Further, the CDCDLP223 generates a buffered copy of the 20 MHz Crystal Oscillator Frequency at the 20 MHz output terminal.

CDCDLP223 PIN ASSIGNMENTS



The 100 MHz HCLK output provides the reference clock for the XDR Clock Generator (CDCD5704). Spread-spectrum clocking with 0.5% down spread, which reduces Electro Magnetic Interference (EMI), is applied in the default configuration. The spread-spectrum clocking (SSC) is turned on and off via the serial control interface.

The 300 MHz HCLK output provides a 200-400 MHz clock signal for the DMD Control Logic of the DLP™ Control ASIC. Frequency selection in 20 MHz steps is possible via the serial control interface. Spread-spectrum clocking with $\pm 1.0\%$ or $\pm 1.5\%$ center spread is applied, which can be disabled via the serial control interface.

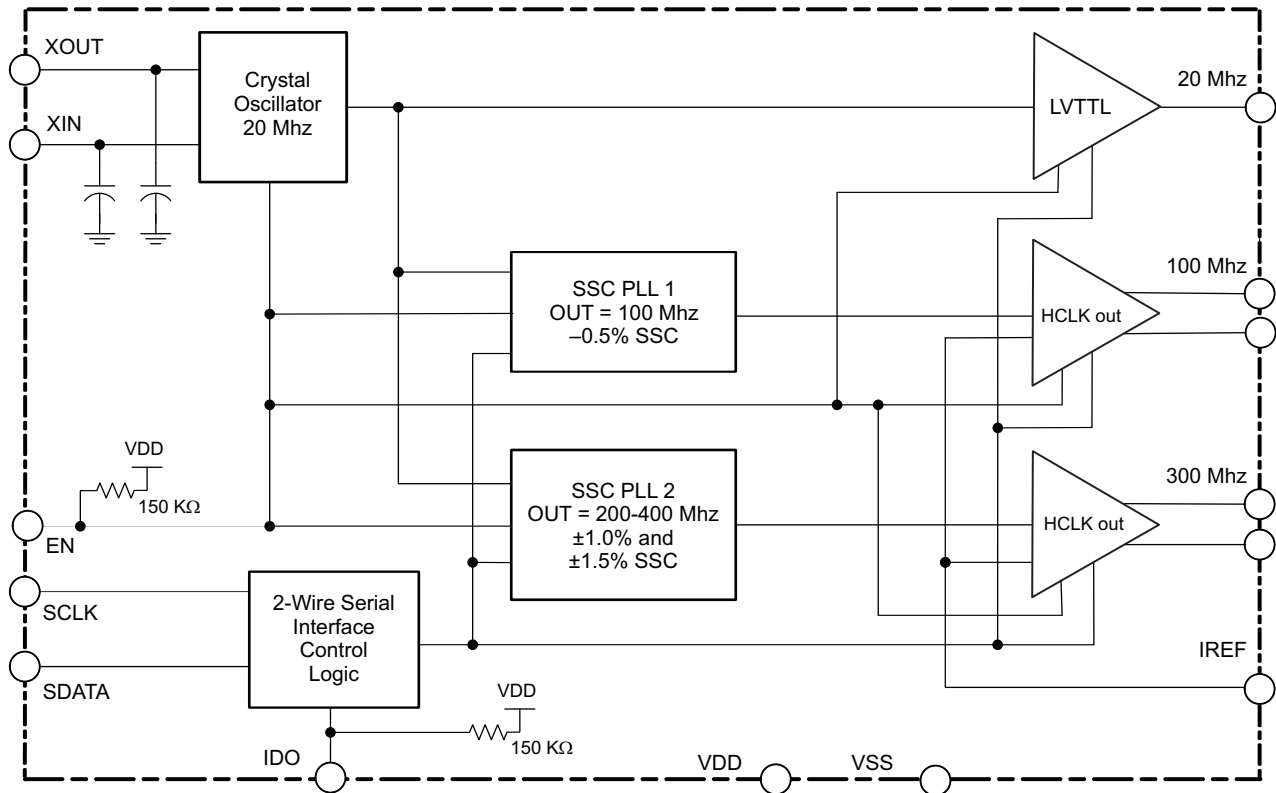
The CDCDLP223 features a fail safe start-up circuit, which enables the PLLs only if a sufficient supply voltage is applied and a stable oscillation is delivered from the crystal oscillator. After the crystal start-up time and the PLL stabilization time, all outputs are ready for use.

The CDCDLP223 works from a single 3.3-V supply and is characterized for operation from -40°C to 85°C .



Please be aware that an important notice concerning availability, standard warranty, and use in critical applications of Texas Instruments semiconductor products and disclaimers thereto appears at the end of this data sheet.

FUNCTIONAL BLOCK DIAGRAM



TERMINAL FUNCTIONS

TERMINAL	PIN	TYPE	DESCRIPTION
XIN	1	I	Crystal oscillator input for 20-MHz crystal in parallel resonance
XOUT	2	O	Crystal oscillator output for 20-MHz crystal in parallel resonance
SDATA	9	I/O Open drain	Data I/O, 2-wire serial interface controller, internal 1-MΩ pullup
SCLK	10	I Interface Clock	Clock input, 2-wire serial interface controller, internal 1-MΩ pullup
20 MHz	5	O LVTTTL	Clock output, 20 MHz (buffered output from crystal oscillator)
100 MHz	18	O HCLK	Clock output for XDR clock generator
100 MHz	17	O HCLK	Clock output for XDR clock generator
300 MHz	14	O HCLK	Clock output for DMD system
300 MHz	13	O HCLK	Clock output for DMD system
VDD	4,11,19	Power	3.3 V Power supply
VSS	3,6,12,15,16	Ground	Ground
IREF	20	O R _{REF} to GND	IREF pin for HCLK output drive-current biasing
EN	7	I LVTTTL	Output enable, 20 MHz, 100 MHz and 200–400 MHz outputs, 150 kΩ pullup, default = logic high
IDO	8	I LVTTTL	Sets 2-wire serial interface ID address bit A0, 150 kΩ pull-up resistor, default = logic high

Table 1. EN Pin (20 MHz, 100 MHz and 300 MHz Clocks)

EN PIN	DESCRIPTION
1	All HCLK outputs, and 20-MHz outputs enabled, detailed device configurations are determined by 2-wire serial interface settings.
0	All HCLK = true Hi-Z, both PLLs are powered down and 20-MHz output in Hi-Z and Crystal Oscillator disabled, EN overrides 2-wire serial interface settings.

ABSOLUTE MAXIMUM RATINGS

over operating free-air temperature range (unless otherwise noted) ⁽¹⁾

		VALUE	UNIT
V _{DD}	Supply voltage range	-0.5 to 4.6	V
V _I	Input voltage range ⁽²⁾	-0.5 to V _{DD} + 0.5	V
V _O	Output voltage range ⁽²⁾	-0.5 to V _{DD} + 0.5	V
	Input current (V _I < 0, V _I > V _{DD})	±20	mA
I _O	Continuous output current	±17.5	mA
T _{stg}	Storage temperature range	-65 to 150	°C

- (1) Stresses beyond those listed under *absolute maximum ratings* may cause permanent damage to the device. These are stress ratings only, and functional operation of the device at these or any other conditions beyond those indicated under *recommended operating conditions* is not implied. Exposure to absolute-maximum-rated conditions for extended periods may affect device reliability.
- (2) The input and output negative voltage ratings may be exceeded if the input and output clamp-current ratings are observed.

PACKAGE THERMAL IMPEDANCE FOR TSSOP20 PACKAGE⁽¹⁾

Airflow (lfm)	θ _{JA} (°C/W)	θ _{JC} (°C/W)	θ _{JB} (°C/W)	Ψ _{JT} (°C/W)
0	83.0	32	54	0.25
150	77.9	–	–	
250	75.4	–	–	
500	71.4	–	–	

- (1) The package thermal impedance is calculated in accordance with JESD 51 and JEDEC2S2P (high-k board).

RECOMMENDED OPERATING CONDITIONS

		MIN	NOM	MAX	UNIT
T _A	Operating free-air temperature	-40		85	°C
V _{DD}	Supply voltage	3.0	3.3	3.6	V
V _{IH}	High level input voltage SDATA and SCLK	0.7 × V _{DD}		V _{DD}	V
V _{IL}	Low level input voltage SDATA and SCLK	-0.15		0.3 × V _{DD}	V
V _{IL}	Low level input voltage LVTTTL			0.8	V
V _I	thresh Input Voltage threshold LVTTTL		1.40		V
V _{IH}	High level input voltage LVTTTL	2.0			V
I _{OH}	High-level output current LVTTTL			-8	mA
I _{OL}	Low-level output current LVTTTL			8	mA
I _{OH}	High-level output current HCLK/HCLK			-20	mA
I _{OL}	Low-level output current HCLK/HCLK			0	mA
t _{PU}	Power-up time for all VDDs to reach minimum specified voltage (power ramps must be monotonic)	0.05		500	ms

RECOMMENDED CRYSTAL SPECIFICATION⁽¹⁾

		MIN	NOM	MAX	UNIT
f _{xtal}	Crystal input frequency (fundamental)		20		MHz
ESR	Effective series resistance			100	Ω
P _{drive}	Maximum power handling (drive level)	100			μW
C _L	Load capacitance		20		pF

- (1) See DLP™ Control ASIC DDP2230 datasheet for additional requirements.

TIMING REQUIREMENTS⁽¹⁾

over recommended ranges of supply voltage, load and operating free air temperature

PARAMETER		MIN	TYP	MAX	UNIT
XIN, XOUT REQUIREMENTS					
f_{XIN}	Frequency of crystal attached to XIN, XOUT, with $C_L = 20$ pF (2×40 pF) on-die capacitance		20		MHz
2 WIRE SERIAL INTERFACE REQUIREMENTS STANDARD MODE					
f_{SCLK}	SCLK frequency	0		100	kHz
$t_{h(START)}$	START hold time (see Figure 1)	4.0			μ s
$t_{w(SCLL)}$	SCLK low-pulse duration (see Figure 1)	4.7			μ s
$t_{w(SCLH)}$	SCLK high-pulse duration (see Figure 1)	4.0			μ s
$t_{su(START)}$	START setup time (see Figure 1)	4.7			μ s
$t_{h(SDATA)}$	SDATA hold time (see Figure 1)	0		3.45	μ s
$t_{su(SDATA)}$	SDATA setup time (see Figure 1)	250			ns
$t_r(SDATA)$	SCLK / SDATA input rise time (see Figure 1)			1000	ns
$t_f(SDATA)$	SCLK / SDATA input fall time (see Figure 1)			300	ns
$t_{su(STOP)}$	STOP setup time (see Figure 1)	4.0			μ s
t_{BUS}	Bus free time	4.7			μ s
2 WIRE SERIAL INTERFACE REQUIREMENTS FAST MODE					
f_{SCLK}	SCLK frequency	0		400	kHz
$t_{h(START)}$	START hold time (see Figure 1)	0.6			μ s
$t_{w(SCLL)}$	SCLK low-pulse duration (see Figure 1)	1.3			μ s
$t_{w(SCLH)}$	SCLK high-pulse duration (see Figure 1)	0.6			μ s
$t_{su(START)}$	START setup time (see Figure 1)	0.6			μ s
$t_{h(SDATA)}$	SDATA hold time (see Figure 1)	0		0.9	μ s
$t_{su(SDATA)}$	SDATA setup time (see Figure 1)	100			ns
$t_r(SDATA)$	SCLK / SDATA input rise time (see Figure 1)	20		300	ns
$t_f(SDATA)$	SCLK / SDATA input fall time (see Figure 1)	20		300	ns
$t_{su(STOP)}$	STOP setup time (see Figure 1)	0.6			μ s
t_{BUS}	Bus free time	1.3			μ s

(1) The CDCDLP223 2-wire serial interface in Send-Mode meets both I²C and SMBus *set up time* t_{su} and *hold time* t_h requirements.

APPLICATION INFORMATION

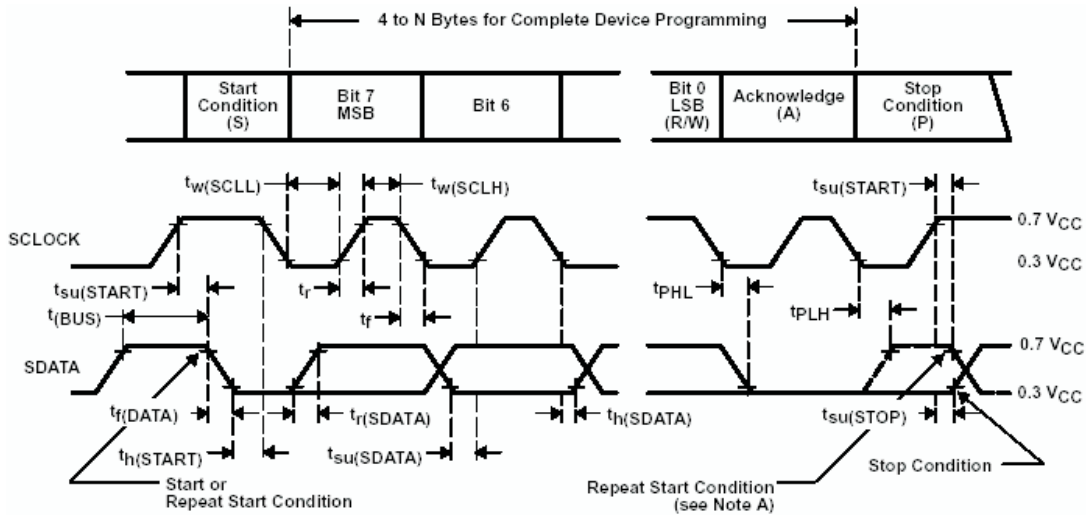


Figure 1. Timing Diagram, Serial Control Interface

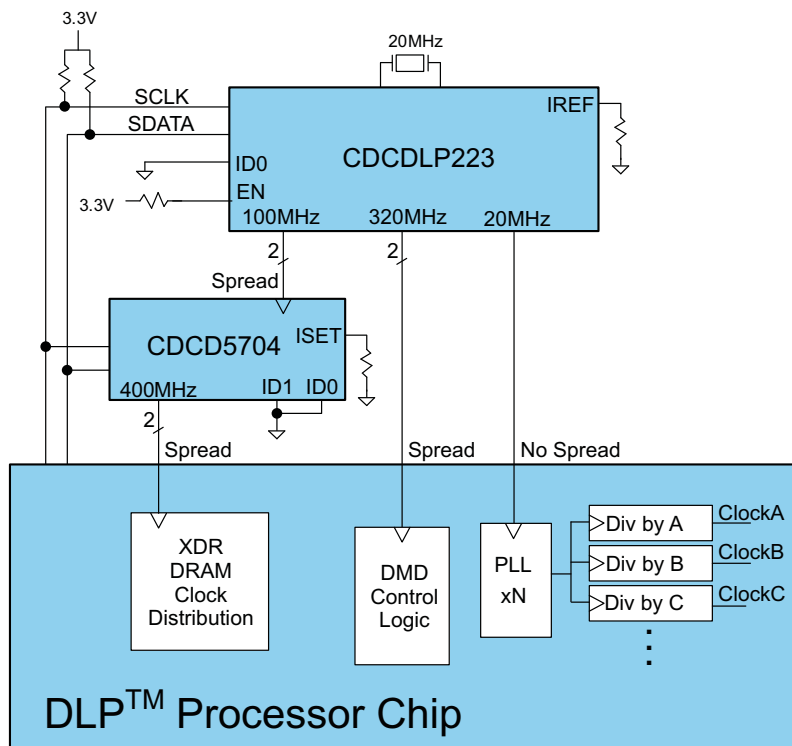
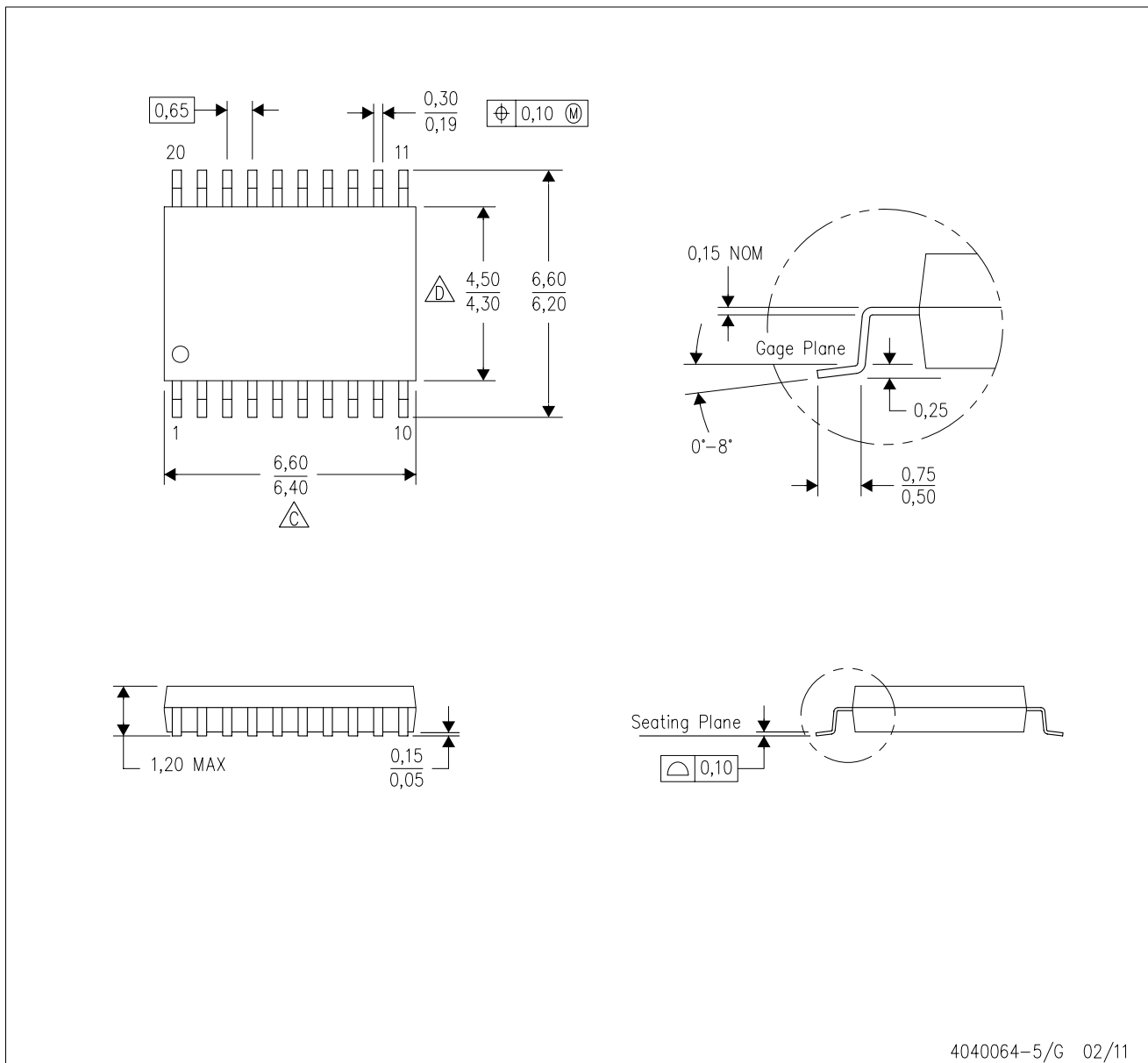


Figure 2. Typical CDCDLP223 Application

PW (R-PDSO-G20)

PLASTIC SMALL OUTLINE

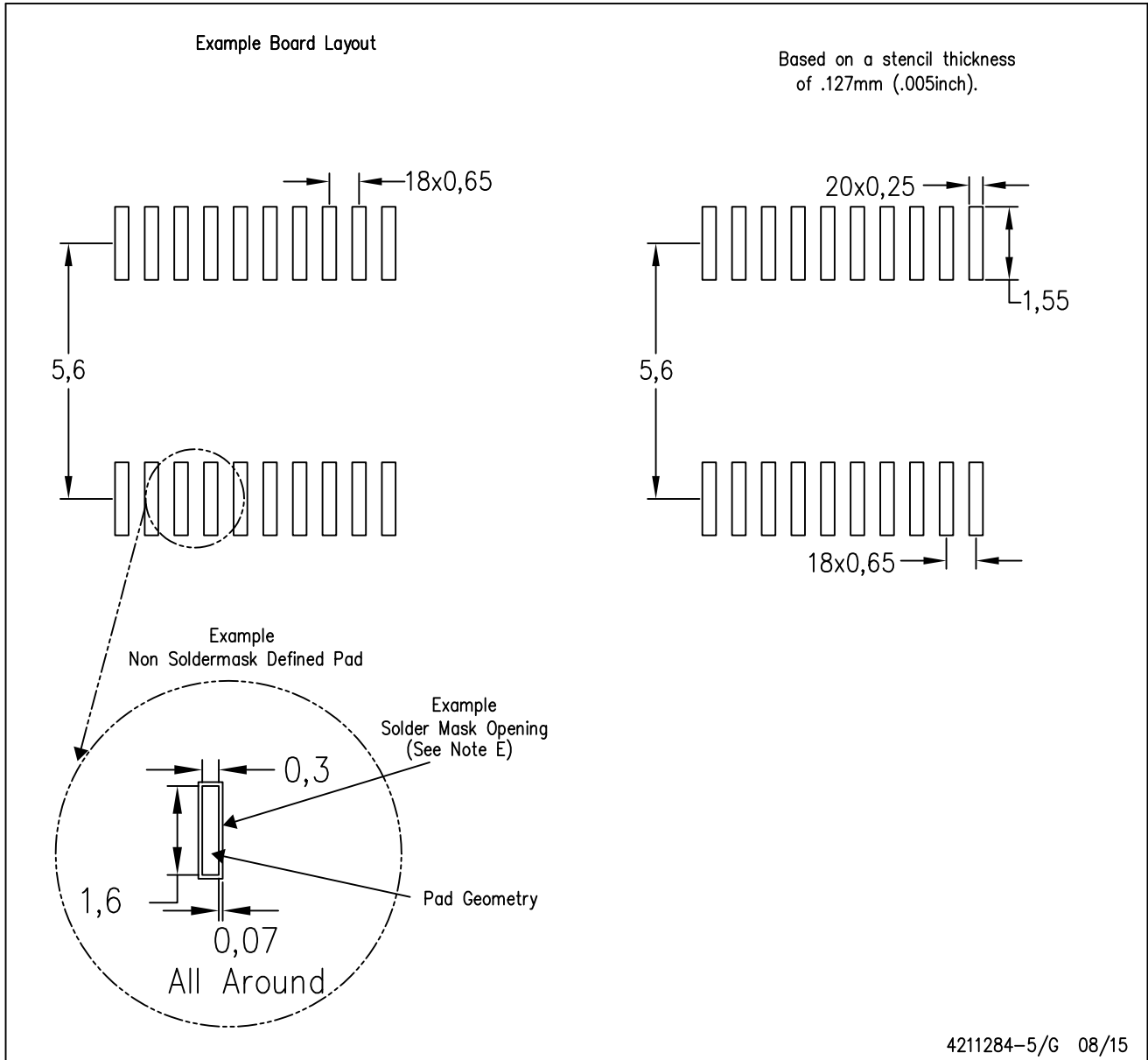


4040064-5/G 02/11

- NOTES:
- A. All linear dimensions are in millimeters. Dimensioning and tolerancing per ASME Y14.5M-1994.
 - B. This drawing is subject to change without notice.
 - C. Body length does not include mold flash, protrusions, or gate burrs. Mold flash, protrusions, or gate burrs shall not exceed 0,15 each side.
 - D. Body width does not include interlead flash. Interlead flash shall not exceed 0,25 each side.
 - E. Falls within JEDEC MO-153

PW (R-PDSO-G20)

PLASTIC SMALL OUTLINE



- NOTES:
- A. All linear dimensions are in millimeters.
 - B. This drawing is subject to change without notice.
 - C. Publication IPC-7351 is recommended for alternate design.
 - D. Laser cutting apertures with trapezoidal walls and also rounding corners will offer better paste release. Customers should contact their board assembly site for stencil design recommendations. Refer to IPC-7525 for other stencil recommendations.
 - E. Customers should contact their board fabrication site for solder mask tolerances between and around signal pads.

IMPORTANT NOTICE AND DISCLAIMER

TI PROVIDES TECHNICAL AND RELIABILITY DATA (INCLUDING DATASHEETS), DESIGN RESOURCES (INCLUDING REFERENCE DESIGNS), APPLICATION OR OTHER DESIGN ADVICE, WEB TOOLS, SAFETY INFORMATION, AND OTHER RESOURCES "AS IS" AND WITH ALL FAULTS, AND DISCLAIMS ALL WARRANTIES, EXPRESS AND IMPLIED, INCLUDING WITHOUT LIMITATION ANY IMPLIED WARRANTIES OF MERCHANTABILITY, FITNESS FOR A PARTICULAR PURPOSE OR NON-INFRINGEMENT OF THIRD PARTY INTELLECTUAL PROPERTY RIGHTS.

These resources are intended for skilled developers designing with TI products. You are solely responsible for (1) selecting the appropriate TI products for your application, (2) designing, validating and testing your application, and (3) ensuring your application meets applicable standards, and any other safety, security, or other requirements. These resources are subject to change without notice. TI grants you permission to use these resources only for development of an application that uses the TI products described in the resource. Other reproduction and display of these resources is prohibited. No license is granted to any other TI intellectual property right or to any third party intellectual property right. TI disclaims responsibility for, and you will fully indemnify TI and its representatives against, any claims, damages, costs, losses, and liabilities arising out of your use of these resources.

TI's products are provided subject to TI's Terms of Sale (www.ti.com/legal/termsofsale.html) or other applicable terms available either on ti.com or provided in conjunction with such TI products. TI's provision of these resources does not expand or otherwise alter TI's applicable warranties or warranty disclaimers for TI products.

Mailing Address: Texas Instruments, Post Office Box 655303, Dallas, Texas 75265
Copyright © 2018, Texas Instruments Incorporated

Looking for pricing, stock, or lifecycle information?

Click below to explore more details on WIN SOURCE:

 [View CDCDLP223PWR](#) on WIN SOURCE

 [Texas Instruments](#) Information

Optimize Your Supply Chain with WIN SOURCE Solutions

-  Global Sourcing Solution
-  Obsolete Management
-  Cost Control Management
-  Shortage Management
-  Alternative Solution
-  Excess Inventory Management