



**THE DATASHEET OF
CDEP134-1R2MC-H**

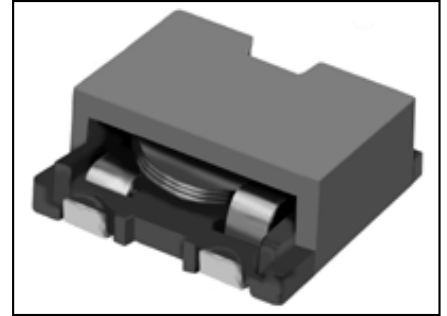


CDEP134(H)

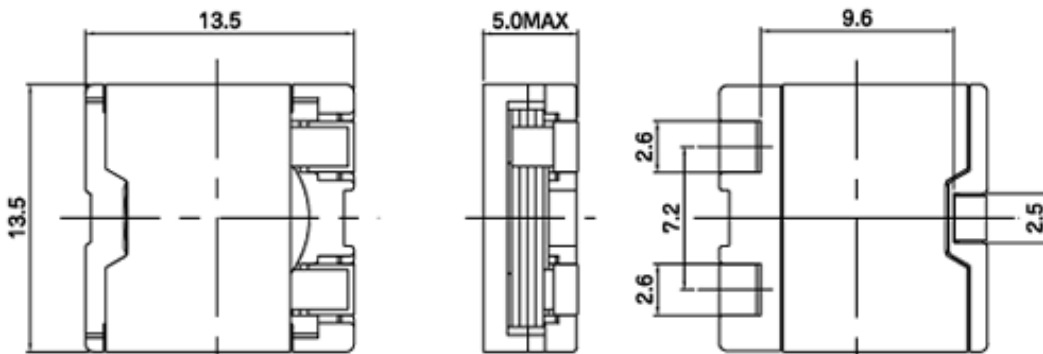
Notebook PC

Usages:

- ▶ Notebook PC



Dimension (mm):



Features:

- ▶ Low profile type
- ▶ Strong rated current type
- ▶ Low resistance type

Specifications:

Parts No.	Inductance (uH)	D.C.R.(Max) (mOhm) ()Typical						Permissible D.C.Current (A)					
		CEE124	CEP125	CEP125-H	CDEP134	CDEP134-H	CEPH149	CEE124	CEP125	CEP125-H	CDEP134	CDEP134-H	CEPH149
0R3	0.3					1.9(1.6)						35.0	
0R4	0.4				1.9(1.6)						32.0		
0R6	0.66					2.5(2.1)						29.0	
0R7	0.75	5.5(4.5)						9.0					
0R9	0.9				2.5(2.1)						21.6		
1R0	1.0			2.5(2.1)			1.2(0.99)			20.0			20.0
1R2	1.2					3.7(3.1)						21.0	
1R3	1.3	7.0(5.8)						8.5					
1R5	1.5		2.5(2.1)						14.0				
1R6	1.6				3.7(3.1)		1.5(1.24)				16.0		15.0
1R8	1.8			3.4(2.8)		6.6(5.5)				15.3		17.6	
2R1	2.1	8.4(6.9)						8.0					
2R4	2.4						1.5(1.24)						10.0
2R5	2.5		3.4(2.8)		6.6(5.5)				10.0		12.8		
2R7	2.7					10.8(9.0)						14.7	
2R8	2.8			5.4(4.5)						12.3			
3R6	3.6				10.8(9.0)	12.0(10.0)					10.9	12.5	
4R0	4.0		5.4(4.5)	8.0(6.6)					8.3	10.3			
4R8	4.8				12.0(10.0)	16.3(13.6)					9.3	11.0	
5R6	5.6			11.4(9.5)						8.8			
6R0	6.0		8.0(6.6)			18.4(15.3)			6.7			9.6	
6R4	6.4				16.3(13.6)						8.0		
7R2	7.2			13.5(11.2)						7.8			
8R0	8.0				18.4(15.3)						7.2		
8R2	8.2		11.4(9.5)						5.8				
100	10.0		13.5(11.2)						5.0				

CDEP134(H)

CopyRight©2000-2001.Sumida Corporation.
All Right Reserved.

Looking for pricing, stock, or lifecycle information?

Click below to explore more details on WIN SOURCE:

- ⊖ [View CDEP134-1R2MC-H on WIN SOURCE](#)
- ⊖ [Sumida America Components Inc. Information](#)

Optimize Your Supply Chain with WIN SOURCE Solutions

- ✓ Global Sourcing Solution
- ✓ Obsolete Management
- ✓ Cost Control Management
- ✓ Shortage Management
- ✓ Alternative Solution
- ✓ Excess Inventory Management