

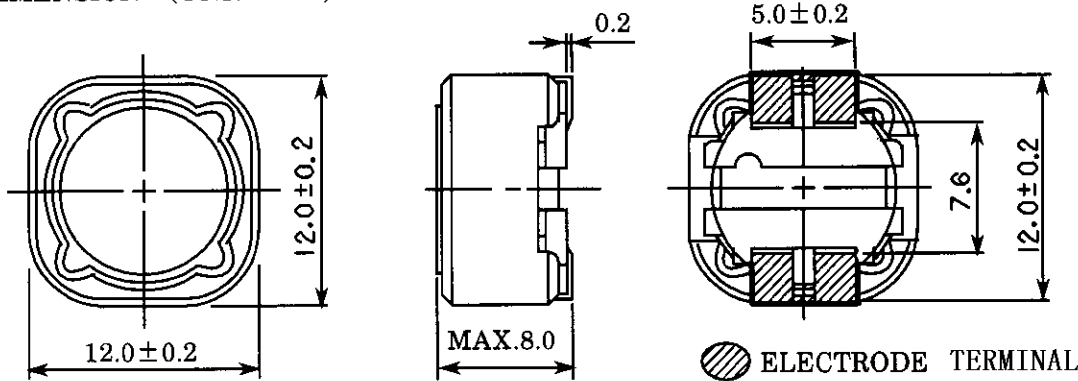


**THE DATASHEET OF  
CDRH127-270MC**



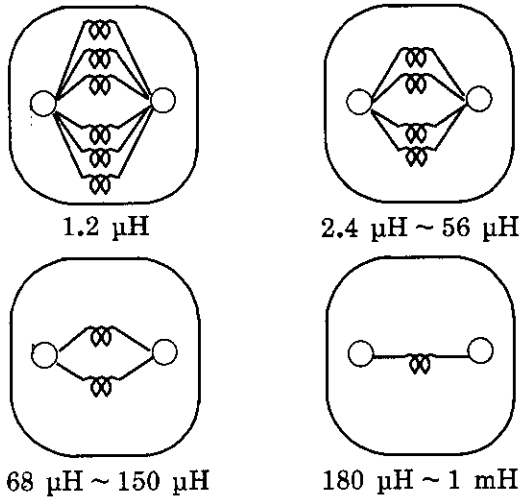
<b>SPECIFICATION</b>		
	SUMIDA TYPE    CDRH127	PART NO. REF. TO THE ATTACHED SHEET.

1. DIMENSION (UNIT mm)

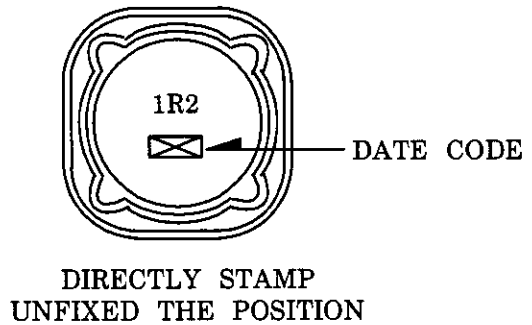


\* DIMENSION WITHOUT TOLERANCE ARE APPROX.

2. CONNECTION (BOTTOM)

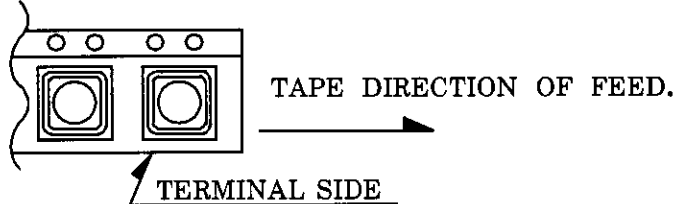


3. STAMP (Ex.)



4. NOTE

- \* PLEASE DO NOT USE A WASHING AGENT.
- \* ENCLOSING CONDITION OF COILS.



\* CARRIER TAPE PACKING SPECIFICATION IN DETAIL.(S-074-512)

\* RECOMMENDATION

DUE TO THE COIL HEAVY WEIGHT. PLEASE APPLY BOND BETWEEN THIS COIL PART AND P.C.B. WHEN FIXED ONTO THE PCB.

\* RECOMMENDED REFLOW CONDITION TO BE ACCORDING TO S-074-5003.

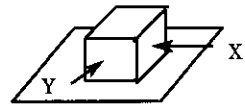
17 th SEP . , 1996			SUMIDA CODE	4739
CHK.	CHK.	DRG.	DRG. NO.                    2/6	
O.SATO	MAKABE	MONMA M		
			<b>S-074-516</b>	

# GENERAL CHARACTERISTICS

TYPE CDRH127
-----------------

△5

1. OPERATING TEMPERATURE : -40 ~ +100 °C (COIL CONTAIN HEAT)
2. EXTERNAL APPEARANCE : ON VISUAL INSPECTION, THE COIL HAS NO EXTERNAL DEFECTS.
3. ELECTRODE STRENGTH △: AFTER SOLDERING, BETWEEN COPPER PLATE AND ELECTRODE OF COIL, PUSH IN TWO DIRECTIONS OF X, Y WITHSTANDING 5.0N FOR 10 ± 2 SECONDS. ELECTRODE SHOULD NOT PEEL OFF. (REFER TO FIGURE AT RIGHT)
4. HEAT ENDURANCE TEST: REFER TO THE S-074-5002.
5. DIELECTRIC STRENGTH : △ NO APPARENT AT 100V D.C. (LEAK CURRENT: 1.0mA) FOR 1 MINUTE BETWEEN COIL-CORE.
6. INSULATING RESISTANCE : OVER 100MΩ AT 100V D.C. BETWEEN COIL-CORE.
7. INDUCTANCE TEMPERATURE COEFFICIENT : ( 0 ~ 2000 ) × 10<sup>-6</sup>/°C (-25 ~ + 80°C)
8. HUMIDITY TEST : INDUCTANCE DEVIATION WITHIN ± 5.0 %  
AFTER 96 HOURS IN 90 ~ 95 % RELATIVE HUMIDITY AT 40 ± 2°C AND 1 HOUR DRYING UNDER NORMAL CONDITION.
9. VIBRATION TEST : INDUCTANCE DEVIATION WITHIN ± 3.0 % AFTER VIBRATION FOR 1 HOUR. IN EACH OF THREE ORIENTATIONS AT SWEEP VIBRATION (10~55~10 Hz) WITH 1.5 mm P-P AMPLITUDE.
10. SHOCK TEST : INDUCTANCE DEVIATION WITHIN ± 3.0 % AFTER DROP DOWN WITH 981m/s<sup>2</sup> SHOCK ATTITUDE UPON A RUBBER BLOCK METHOD SHOCK TESTING MACHINE, FOR 1 TIME, IN EACH OF THREE ORIENTATIONS.



7 th SEP . , 1995

CHK.	CHK.	DRG.
KOMA		
ITA	Y.OKADA	MONMA
		M

DRG. NO.	3/6
S-074-516	

# SPECIFICATION

TYPE  
CDRH127

## ELECTRICAL CHARACTERISTICS

NO.	PART NO.	STAMP	INDUCTANCE [WITHIN]	RATED CURRENT (A) ※1	D.C.R. (Ω, at 20°C) MAX. (TYP.)	SUMIDA CODE
01	CDRH127-1R2NC	1R2	1.2 μH $\begin{matrix} + 40 \\ - 20 \end{matrix} \%$	9.80	7.0 m (5.2 m)	4739-0012
02	CDRH127-2R4NC	2R4	2.4 μH $\begin{matrix} + 40 \\ - 20 \end{matrix} \%$	8.00	11.5 m (8.5 m)	4739-0023
03	CDRH127-3R5NC	3R5	3.5 μH $\begin{matrix} + 40 \\ - 20 \end{matrix} \%$	7.50	13.5 m (10.0 m)	4739-0034
04	CDRH127-4R7NC	4R7	4.7 μH $\begin{matrix} + 40 \\ - 20 \end{matrix} \%$	6.80	15.8 m (11.7 m)	4739-0045
05	CDRH127-6R1NC	6R1	6.1 μH $\begin{matrix} + 40 \\ - 20 \end{matrix} \%$	6.60	17.6 m (13.0 m)	4739-0056
06	CDRH127-7R6NC	7R6	7.6 μH $\begin{matrix} + 40 \\ - 20 \end{matrix} \%$	5.90	20.0 m (15.0 m)	4739-0067
07	CDRH127-100MC	100	10 μH $\pm 20 \%$	5.40	21.6 m (16.0 m)	4739-0078
08	CDRH127-120MC	120	12 μH $\pm 20 \%$	4.90	24.3 m (18.0 m)	4739-0089
09	CDRH127-150MC	150	15 μH $\pm 20 \%$	4.50	27.0 m (20.0 m)	4739-0091
10	CDRH127-180MC	180	18 μH $\pm 20 \%$	3.90	39.2 m (29.0 m)	4739-0102
11	CDRH127-220MC	220	22 μH $\pm 20 \%$	3.60	43.2 m (32.0 m)	4739-0113
12	CDRH127-270MC	270	27 μH $\pm 20 \%$	3.40	45.9 m (34.0 m)	4739-0124
13	CDRH127-330MC	330	33 μH $\pm 20 \%$	3.00	64.8 m (48.0 m)	4739-0135
14	CDRH127-390MC	390	39 μH $\pm 20 \%$	2.75	72.9 m (54.0 m)	4739-0146
15	CDRH127-470MC	470	47 μH $\pm 20 \%$	2.50	0.10 (76.0 m)	4739-0157
16	CDRH127-560MC	560	56 μH $\pm 20 \%$	2.35	0.11 (83.0 m)	4739-0281
17	CDRH127-680MC	680	68 μH $\pm 20 \%$	2.10	0.14 (0.10)	4739-0292
18	CDRH127-820MC	820	82 μH $\pm 20 \%$	1.95	0.16 (0.12)	4739-0303
19	CDRH127-101MC	101	100 μH $\pm 20 \%$	1.70	0.22 (0.17)	4739-0314
20	CDRH127-121MC	121	120 μH $\pm 20 \%$	1.60	0.25 (0.18)	4739-0325

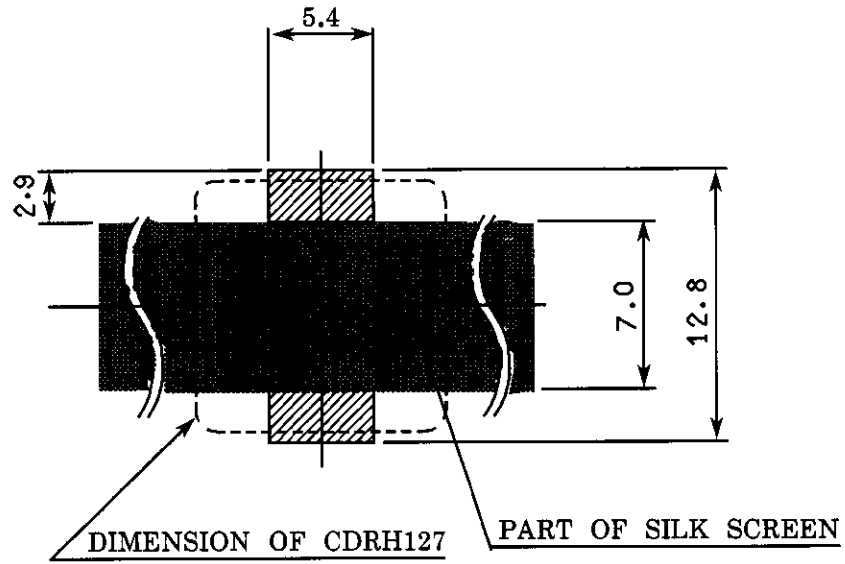
17 th SEP . , 1996			SUMIDA CODE	4739
C H K.	C H K.	D R G.	DEG NO. <span style="float: right;">4/6</span>	
O.SATO	MAKABE	MONMA M		
			S-074-516	



# SPECIFICATION

TYPE	CDRH127
------	---------

DIMENSION RECOMMENDED (mm)



PLEASE COAT WITH SILK BETWEEN ELECTRODE.  $\triangle$

7 th SEP . , 1995

C H K.	C H K.	D R G.
KOMA		
ITA	Y.OKADA	MONMA
		M

DRG. NO.	6/6
S-074-516	

## Looking for pricing, stock, or lifecycle information?

Click below to explore more details on WIN SOURCE:

- ⊖ [View CDRH127-270MC on WIN SOURCE](#)
- ⊖ [Sumida America Components Inc. Information](#)

## Optimize Your Supply Chain with WIN SOURCE Solutions

- ✓ Global Sourcing Solution
- ✓ Obsolete Management
- ✓ Cost Control Management
- ✓ Shortage Management
- ✓ Alternative Solution
- ✓ Excess Inventory Management