



**THE DATASHEET OF
S70-220102045R**

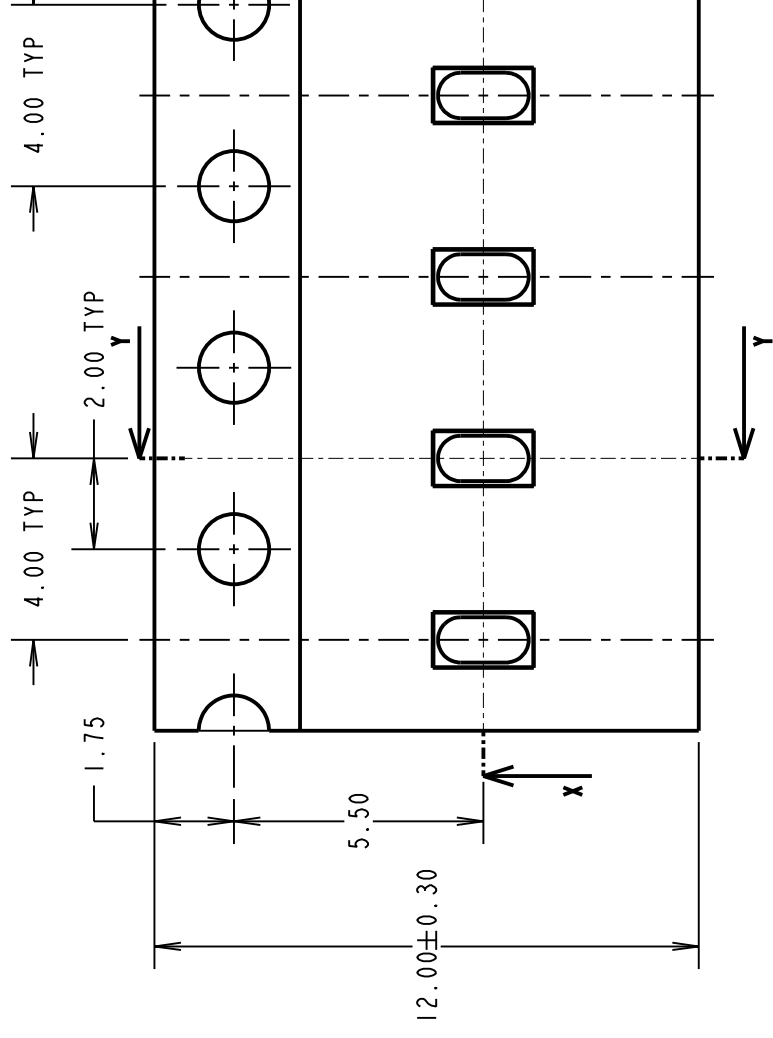
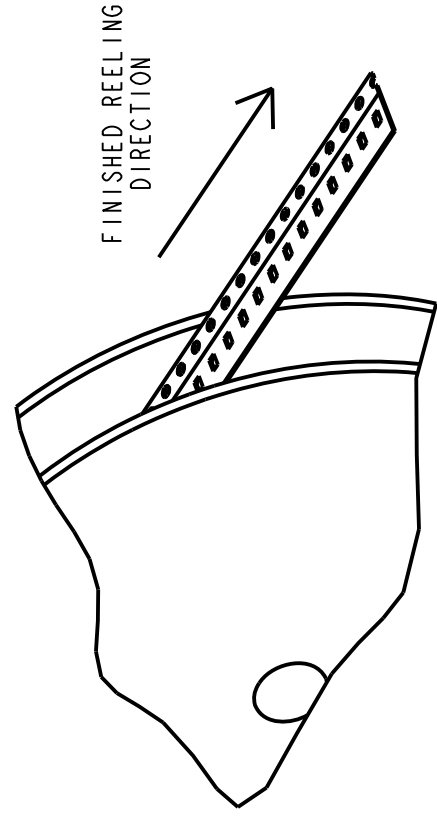


Customer Information Sheet

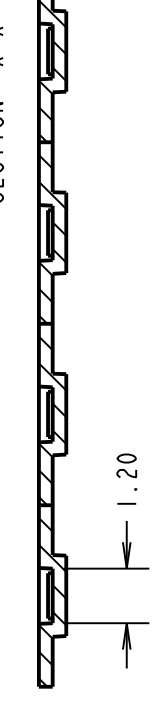
DRAWING No.: S70-22010X045R

IF IN DOUBT - ASK (C)

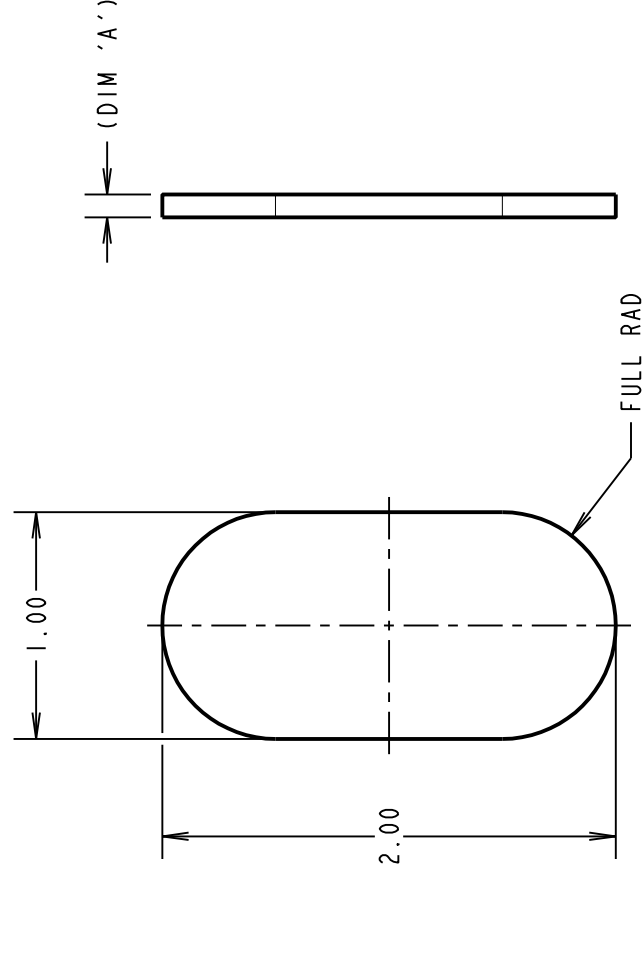
NOT TO SCALE



SECTION X-X



COMPONENT DETAILS



RECOMMENDED PCB LAYOUT
ALL TOLERANCES ±0.05

PART	DIM 'A'
S70-220101045R	0.10±0.05
S70-220102045R	0.20±0.05

ORDER CODE:

S70-22010XX45R

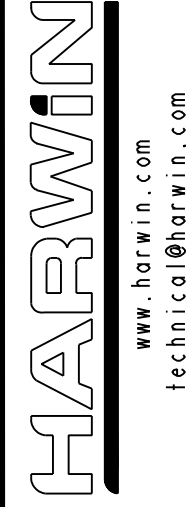
SIZE:
LENGTH
WIDTH
DIM 'A' = THICKNESS

SPECIFICATIONS:

- FINISH: 0.025 - 0.075µm GOLD OVER 1.
- ELECTRICAL:
CURRENT RATING = 6.0A
CONTACT RESISTANCE = 0.15mΩ
- ENVIRONMENTAL:
OPERATING TEMPERATURE = -40°

NOTES:

- QUANTITY OF COMPONENTS PER TAPE IS TAPE AND REELED WITH EIA-481 (ELECTRONIC IN
- PRODUCT IS TAPE AND REELED



THIS DRAWING AND ANY INFORMATION OR DESCRIPTIVE MATTER SET OUT HEREON ARE CONFIDENTIAL AND COPYRIGHT PROPERTY OF THE HARWIN GROUP AND MUST NOT BE DISCLOSED, LOANED, COPIED OR USED FOR MANUFACTURING, TENDERING OR FOR ANY OTHER PURPOSE WITHOUT THEIR WRITTEN PERMISSION.

TOLERANCES	MATERIALS
X. = ±1mm	
X.X = ±0.50mm	
X.XX = ±0.20mm	
X.XXX = ±0.01mm	
ANGLES = ±5°	
UNLESS STATED	

www.harwin.com
technical@harwin.com

S/AR

Looking for pricing, stock, or lifecycle information?

Click below to explore more details on WIN SOURCE:

[View S70-220102045R on WIN SOURCE](#)

[Harwin Inc. Information](#)

Optimize Your Supply Chain with WIN SOURCE Solutions

- ✓ Global Sourcing Solution
- ✓ Obsolete Management
- ✓ Cost Control Management
- ✓ Shortage Management
- ✓ Alternative Solution
- ✓ Excess Inventory Management