

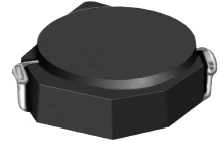


THE DATASHEET OF CDRH2D11NP-2R2NC

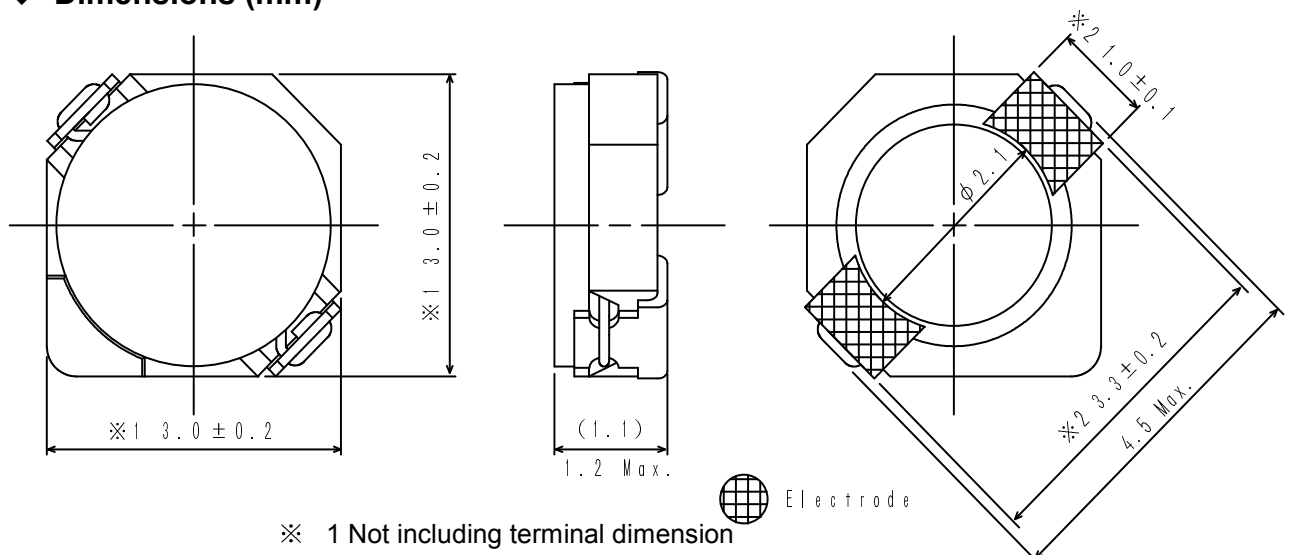
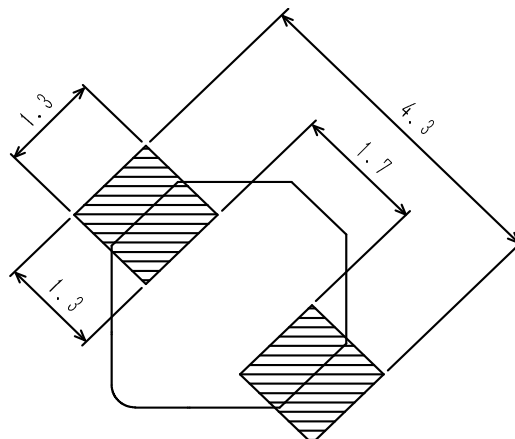


Type: CDRH2D11, CDRH2D11/HP, CDRH2D11B, CDRH2D11B/HP
◆ Product Description

- 3.2×3.2mm Max.(L×W),1.2mm Max. Height.
- Inductance Range: 1.5~10 μ H (CDRH2D11; CDRH2D11/HP);
1.0~22 μ H (CDRH2D11B). 1.0~10 μ H (CDRH2D11B/HP)
- Rated current range: 0.35~0.90A (CDRH2D11) ; 0.52~1.35A (CDRH2D11/HP);
0.35~1.5A (CDRH2D11B). 0.52~1.75A (CDRH2D11B/HP)
- Custom design is available.


◆ Feature

- Magnetically shielded construction.
- Ideally used in Mobilephone,PDA,MP3,DSC/DVC,Portable DVD, etc as DC-DC Converter.
- RoHS Compliance.

◆ Dimensions (mm)

◆ Land Pattern (mm)


Type: CDRH2D11, CDRH2D11/HP, CDRH2D11B, CDRH2D11B/HP
◆ Specification(CDRH2D11)

Part Name ※	Stamp	Inductance (μ H) 100kHz/1V	D.C.R. (m Ω) Max.(Typ.) (20°C)	Saturation current (A)※1		Temperature rise current (A)※2
				20°C	100°C	
CDRH2D11NP-1R5N□	A	1.5±30%	68(54)	0.90	0.68	1.48
CDRH2D11NP-2R2N□	C	2.2±30%	98(78)	0.78	0.58	1.27
CDRH2D11NP-3R3N□	E	3.3±30%	123(98)	0.60	0.45	1.02
CDRH2D11NP-4R7N□	G	4.7±30%	170(135)	0.50	0.37	0.88
CDRH2D11NP-6R8N□	I	6.8±30%	260(210)	0.44	0.33	0.80
CDRH2D11NP-100N□	K	10.0±30%	400(320)	0.35	0.26	0.65

◆ Specification (CDRH2D11/HP)

Part Name ※	Stamp	Inductance (μ H) 100kHz/1V	D.C.R. (m Ω) Max.(Typ.) (20°C)	Saturation current (A)※1		Temperature rise current (A)※2
				20°C	100°C	
CDRH2D11/HPNP-1R5N□	A	1.5±30%	80(64)	1.35	1.0	1.60
CDRH2D11/HPNP-2R2N□	C	2.2±30%	120(96)	1.10	0.72	1.30
CDRH2D11/HPNP-3R3N□	E	3.3±30%	173(138)	0.90	0.65	0.90
CDRH2D11/HPNP-4R7N□	G	4.7±30%	238(190)	0.75	0.52	0.85
CDRH2D11/HPNP-6R8N□	I	6.8±30%	371(297)	0.63	0.45	0.65
CDRH2D11/HPNP-100N□	K	10.0±30%	559(447)	0.52	0.37	0.52

◆ Specification (CDRH2D11B)

Part Name ※	Stamp	Inductance (μ H) 100kHz/1V	D.C.R. (m Ω) Max.(Typ.) (20°C)	Saturation current (A)※1		Temperature rise current (A)※2
				20°C	100°C	
CDRH2D11BNP-1R0N□	A	1.0±25%	62.6(50.1)	1.50	1.25	1.70
CDRH2D11BNP-1R5N□	B	1.5±25%	84.3(67.4)	1.25	1.05	1.45
CDRH2D11BNP-2R2N□	C	2.2±25%	95.5(76.4)	1.10	0.9	1.40
CDRH2D11BNP-2R7N□	D	2.7±25%	120(95.6)	0.92	0.75	1.20
CDRH2D11BNP-3R3N□	E	3.3±25%	154(123)	0.88	0.70	1.00
CDRH2D11BNP-4R7N□	F	4.7±25%	248(198)	0.70	0.56	0.80
CDRH2D11BNP-5R6N□	G	5.6±25%	264(211)	0.65	0.54	0.75
CDRH2D11BNP-6R8N□	H	6.8±25%	284(227)	0.60	0.50	0.72
CDRH2D11BNP-8R2N□	I	8.2±25%	376(301)	0.52	0.44	0.60
CDRH2D11BNP-100N□	J	10.0±25%	428(342)	0.48	0.40	0.58
CDRH2D11BNP-150N□	K	15.0±25%	663(530)	0.40	0.33	0.46
CDRH2D11BNP-180N□	L	18.0±25%	730(584)	0.36	0.30	0.43
CDRH2D11BNP-220N□	M	22.0±25%	801(641)	0.35	0.26	0.42

Type: CDRH2D11, CDRH2D11/HP, CDRH2D11B, CDRH2D11B/HP
◆ Specification (CDRH2D11B/HP)

Part Name ※	Stamp	Inductance (μ H) 100kHz/1V	D.C.R. ($m\Omega$) Max.(Typ.) (20°C)	Saturation current (A)※1		Temperature rise current (A)※2
				20°C	100°C	
CDRH2D11BHPHF-1R0PC	A	1.0 \pm 25%	68.6(54.9)	2.1	1.7	1.75
CDRH2D11BHPHF-1R5PC	B	1.5 \pm 25%	88.6(70.9)	1.65	1.4	1.45
CDRH2D11BHPHF-1R8PC	C	1.8 \pm 25%	98.6(78.9)	1.5	1.3	1.4
CDRH2D11BHPHF-2R2PC	D	2.2 \pm 25%	133.3(106.6)	1.4	1.2	1.15
CDRH2D11BHPHF-3R3PC	E	3.3 \pm 25%	194.6(156.7)	1.15	0.94	0.95
CDRH2D11BHPHF-4R7PC	F	4.7 \pm 25%	234.6(187.7)	0.95	0.8	0.8
CDRH2D11BHPHF-5R6PC	G	5.6 \pm 25%	281.9(225.5)	0.9	0.75	0.76
CDRH2D11BHPHF-6R8PC	H	6.8 \pm 25%	359.4(287.5)	0.78	0.65	0.65
CDRH2D11BHPHF-8R2PC	I	8.2 \pm 25%	405.5(324.4)	0.73	0.6	0.62
CDRH2D11BHPHF-100PC	J	10.0 \pm 25%	552.5(442.0)	0.63	0.52	0.52

※ Description of part name

CDRH2D11BNP-1R0N□
 └─ B Box
 └─ C Carrier Tape

※1.Saturation Current: The DC current at which the inductance decreases to 65% of its nominal value.

※2.Temperature rise current: The DC current at which the temperature rise is $\Delta t=40^{\circ}\text{C}$ ($T_a=20^{\circ}\text{C}$).

Looking for pricing, stock, or lifecycle information?

Click below to explore more details on WIN SOURCE:

- ⊖ [View CDRH2D11NP-2R2NC on WIN SOURCE](#)
- ⊖ [Sumida America Components Inc. Information](#)

Optimize Your Supply Chain with WIN SOURCE Solutions

- ✓ Global Sourcing Solution
- ✓ Obsolete Management
- ✓ Cost Control Management
- ✓ Shortage Management
- ✓ Alternative Solution
- ✓ Excess Inventory Management