



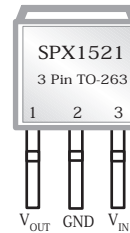
**THE DATASHEET OF
SPX1521M3-L-5-0/TR**



300mA Low Dropout Voltage Regulator

FEATURES

- 1% Output Accuracy 3.3V, 5V, at 300mA Output
- Very Low Quiescent Current
- 0.3V (Typ.) Dropout Voltage at 300mA
- Extremely Tight Load and Line Regulation
- Current & Thermal Limiting
- Reverse Battery Protection
- Equivalent Replacement For LT1521
- Available in RoHS Compliant, Lead Free Packages: TO-252, SOT-223, TO-220 & TO-263

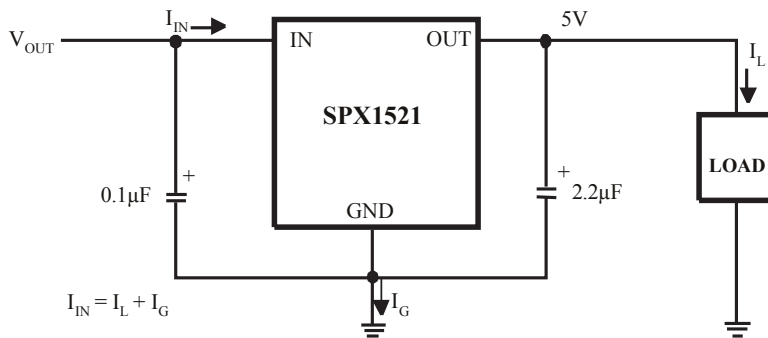


DESCRIPTION

The SPX1521 is a low power voltage regulator. This device is an excellent choice for use in battery-powered applications such as cordless telephones, radio control systems, and portable computers. The SPX1521 features very low quiescent current and very low dropout voltage. This includes a tight initial tolerance of $\pm 1\%$ max, and very low output temperature coefficient, making the SPX1521 useful as a low-power voltage reference.

The SPX1521 is offered in 3 pin TO-252, SOT-223, TO-220 & TO-263 packages.

TYPICAL APPLICATIONS CIRCUIT



ABSOLUTE MAXIMUM RATINGS

Power Dissipation Internally Limited
 Lead Temp. (Soldering, 5 Seconds)..... 260°C
 Storage Temperature Range..... -65°C to +150°C
 Operating Junction Temperature Range -40°C to +125°C
 Input Supply Voltage..... -20V to +20V

Shutdown Input Voltage.....-0.6V to +6.5V
 ESD Rating.....2kV Min

ELECTRICAL CHARACTERISTICS

Electrical characteristics at $V_{IN} = 6V$, $I_O = 1mA$, $C_{OUT} = 2.2\mu F$, $T_A = 25^\circ C$, unless otherwise specified.

Boldface applies over the full operating temperature range.

| PARAMETER | CONDITIONS (Note 2) | TYP | MIN | MAX | UNITS |
|---|--|----------------------|--------------|-----------------------|---------|
| 3.3V Version | | | | | |
| Output Voltage | $1mA \leq I_L \leq 300mA$ | 3.3 | 3.267 | 3.333 | V |
| | | 3.3 | 3.217 | 3.382 | |
| Reverse Output Current | $V_{OUT} = 3.3V, V_{IN} = 0V$ | 16 | | 25 | μA |
| 5.0V Version | | | | | |
| Output Voltage | $1mA \leq I_L \leq 300mA$ | 5.0 | 4.950 | 5.050 | V |
| | | 5.0 | 4.880 | 5.120 | |
| Reverse Output Current | $V_{OUT} = 5.0V, V_{IN} = 0V$ | 16 | | 25 | μA |
| All Voltage Options | | | | | |
| Output Voltage Temperature Coefficient | (Note 1) | 20 | | 100 | ppm/°C |
| Line Regulation | $6V \leq V_{IN} \leq 20V$ (Note 4) | 1.5 | | 20 | mV |
| Load Regulation (Note 3) | $I_L = 1$ to 300mA | 4 | | 20 30 | mV |
| Dropout Voltage (Note 5) | $I_L = 1mA$ | 0.13 | | 0.17 0.25 | V |
| | $I_L = 300mA$ | 0.30 | | 0.55 0.70 | |
| Ground Current | $I_L = 1mA$ | 100 | | 150 | μA |
| | $I_L = 10mA$ | 350 | | 500 | |
| | $I_L = 50mA$ | 1.5 | | 3 | mA |
| | $I_L = 100mA$ $I_L = 300mA$ | 2 5 | | 6 14 | |
| Current Limit | $V_{OUT} = 0$ | 330 | | 500 | mA |
| Ripple Rejection | $V_{IN} - V_{OUT} = 1V(Avg)$, $V_{RIPPLE} = 0.5Vp-p$, $F_{RIPPLE} = 120Hz, I_{LOAD} = 150mA$ | 58 | 50 | | dB |
| Input Reverse Leakage Current | $V_{IN} = -20V, V_{OUT} = 0V$ | | | 1.0 | mA |

Note 1: Output or reference voltage temperature coefficients defined as the worst case voltage change divided by the total temperature range.

Note 2: Unless otherwise specified all limits are guaranteed for $T_j = 25^\circ C$, $V_{IN} = 6V$, $I_L = 1mA$ and $C_L = 2.2\mu F$.

Note 3: Regulation is measured at constant junction temperature, using pulse testing with a low duty cycle. Changes in output voltage due to heating effects are covered under the specification for thermal regulation.

Note 4: Line regulation for the SPX1521 is tested at $25^\circ C$ for $I_L = 1mA$. For $T_j = 125^\circ C$, line regulation is guaranteed by design.

Note 5: Dropout voltage is defined as the input to output differential at which the output voltage drops 100 mV below its nominal value measured at 1V differential.

External Capacitors

The stability of the SPX1521 requires a 2.2μF or greater capacitor between output and ground. Oscillation could occur without this capacitor. Most types of tantalum or aluminum electrolytic works fine here. For operations of below -25°C solid tantalum is recommended since the many aluminum types have electrolytes that freeze at about -30°C. The ESR of about 5Ω or less and resonant frequency above 500kHz are the most important parameters in the value of the capacitor. The capacitor value can be increased without limit.

The SPX1521, unlike other low dropout regulators will remain stable and in regulation with no load in addition to the internal voltage divider. This feature is especially important in applications like CMOS RAM keep-alive.

If there is more than 10 inches of wire between the input and the AC filter capacitor, or if a battery is used as the input, then a 0.1μF tantalum or aluminum electrolytic capacitor should be placed from the input to the ground.

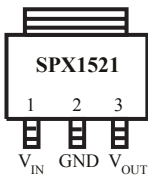
Reducing Output Noise

It may be an advantage to reduce the AC noise present at the output. One way is to reduce the regulator bandwidth by increasing the size of the output capacitor. Increasing the capacitor from 1μF to 220μF only decreases the noise from 430μVrms to 160μVrms for a 100kHz bandwidth at 5V output.

PINOUTS

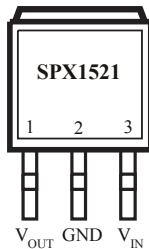
Note: Tab is connected to GND

SOT-223 (M3)



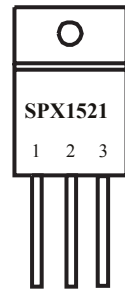
Top View

TO-263-3 (T)



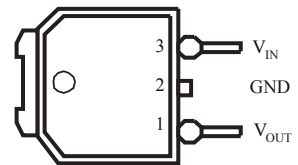
Top View

TO-220-3 (U)



Front View

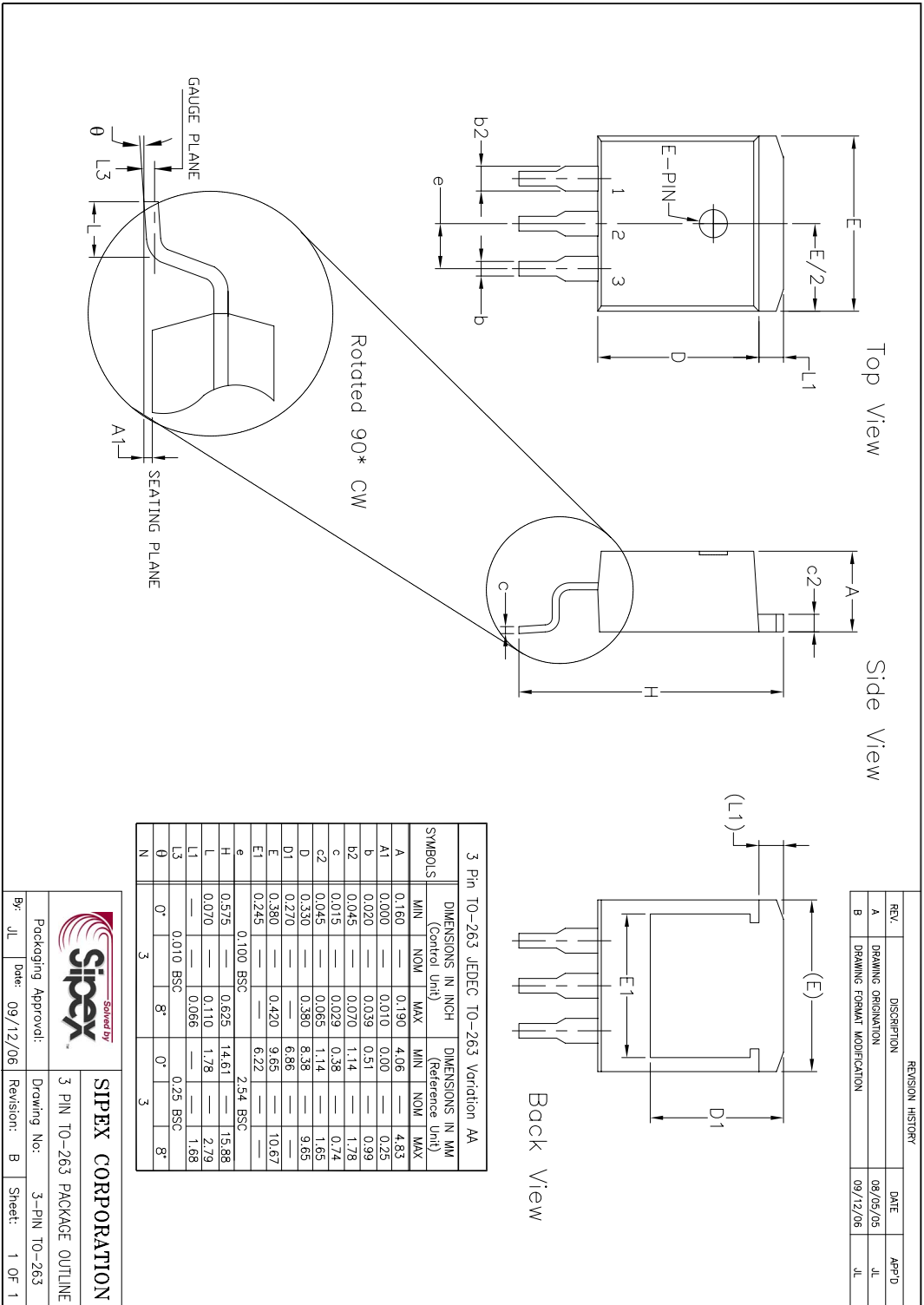
TO-252 (R)



Front View

Thermal Resistance (Theta JA)

- SOT-223 -----62.3°C/W
- TO-262 -----31.4°C/W
- TO-220 -----29.4°C/W
- TO-252 -----50.0°C/W



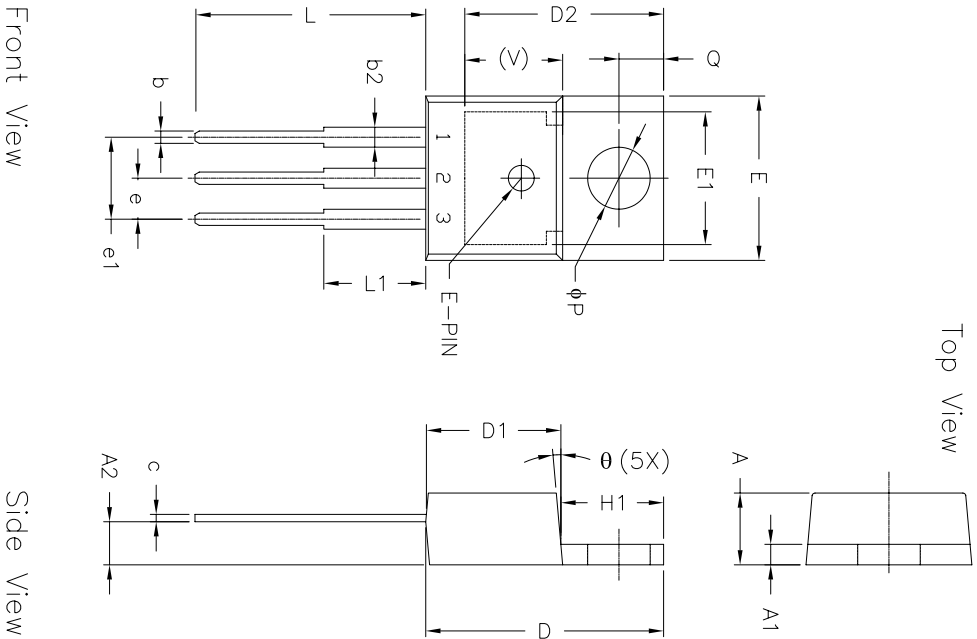
| REVISION HISTORY | | | |
|------------------|-----------------------------|----------|-------|
| REV. | DISCRIPTION | DATE | APP'D |
| A | DRAWING ORIENTATION | 08/05/05 | JL |
| B | DRAWING FORMAT MODIFICATION | 09/12/06 | JL |

| SYMBOLS | DIMENSIONS IN INCH (Control Unit) | | | DIMENSIONS IN MM (Reference Unit) | | |
|---------|--------------------------------------|-----|-------|--------------------------------------|-----|-------|
| | MIN | NOM | MAX | MIN | NOM | MAX |
| A | 0.160 | — | 0.190 | 4.06 | — | 4.83 |
| A1 | 0.000 | — | 0.010 | 0.00 | — | 0.25 |
| b | 0.020 | — | 0.039 | 0.51 | — | 0.99 |
| b2 | 0.045 | — | 0.070 | 1.14 | — | 1.78 |
| c | 0.015 | — | 0.029 | 0.38 | — | 0.74 |
| c2 | 0.045 | — | 0.065 | 1.14 | — | 1.65 |
| D | 0.330 | — | 0.380 | 8.38 | — | 9.65 |
| D1 | 0.270 | — | — | 6.86 | — | — |
| E | 0.380 | — | 0.420 | 9.65 | — | 10.67 |
| E1 | 0.245 | — | — | 6.22 | — | — |
| e | 0.100 | BSC | — | 2.54 | BSC | — |
| H | 0.575 | — | 0.625 | 14.61 | — | 15.88 |
| L | 0.070 | — | 0.110 | 1.78 | — | 2.79 |
| L1 | — | — | 0.066 | — | — | 1.68 |
| L3 | 0.010 | BSC | — | 0.25 | BSC | — |
| theta | 0° | — | 8° | 0° | — | 8° |
| N | 3 | — | — | 3 | — | — |

SIPEX CORPORATION

3 PIN TO-263 PACKAGE OUTLINE

| | | | |
|---------------------|--|---------------|--|
| Packaging Approval: | | Drawing No: | |
| By: JL | | 3-PIN TO-263 | |
| Date: 09/12/06 | | Revision: B | |
| | | Sheet: 1 OF 1 | |



Top View


Front View

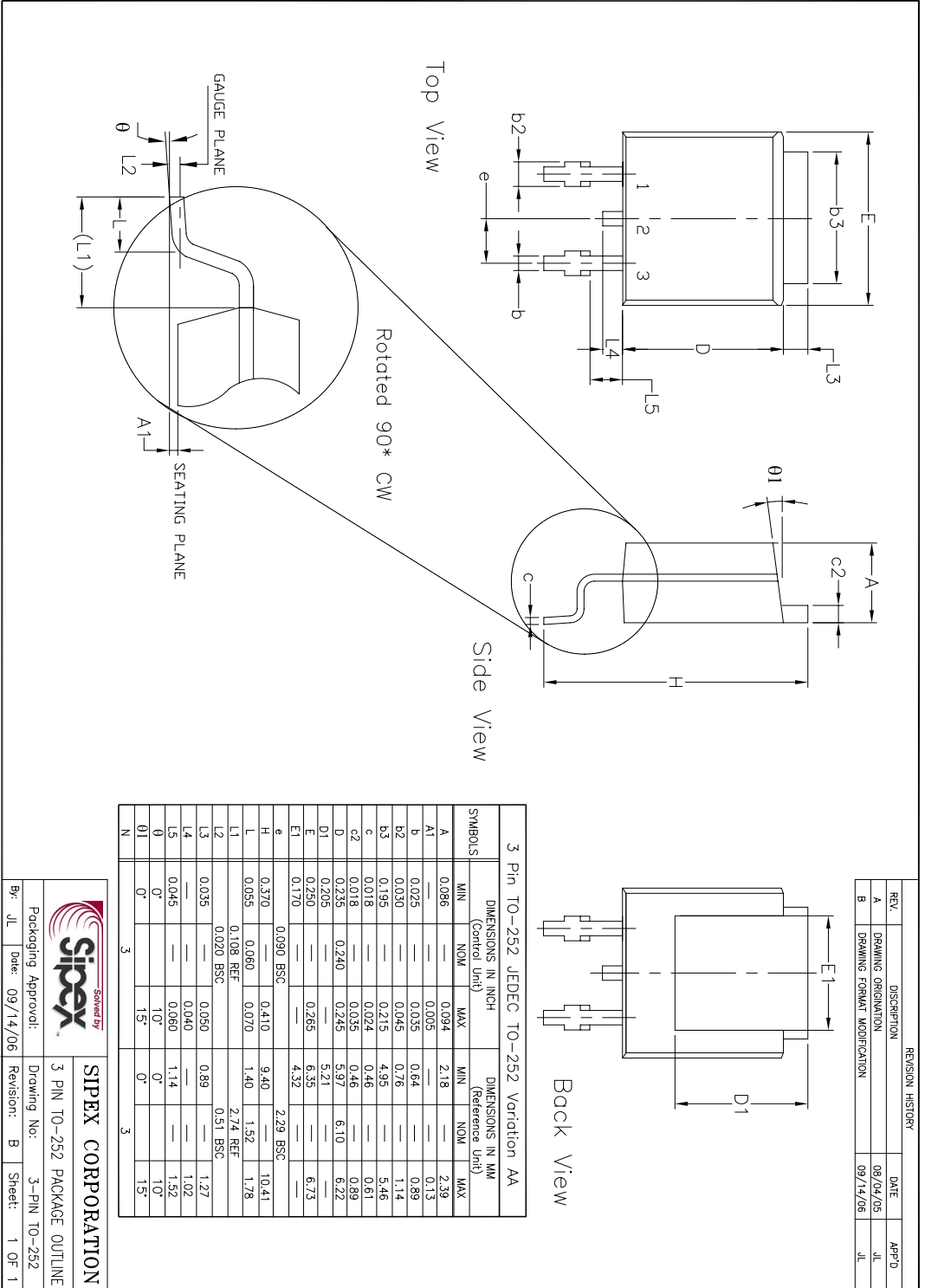
Side View

| REVISION HISTORY | | | |
|------------------|-----------------------------|----------|-------|
| REV. | DESCRIPTION | DATE | APP'D |
| A | DRAWING ORIGINATOR | 09/04/05 | JL |
| B | DRAWING FORMAT MODIFICATION | 05/25/06 | JL |

| 3 Pin TO-220 (Option 1)* JEDEC TO-220-AB | | | | |
|--|--------------------------------------|-------|--------------------------------------|-------|
| SYMBOLS | DIMENSIONS IN INCH (Control Unit) | | DIMENSIONS IN MM (Reference Unit) | |
| | MIN | MAX | MIN | MAX |
| A | 0.140 | 0.190 | 3.56 | 4.82 |
| A1 | 0.020 | 0.055 | 0.51 | 1.40 |
| A2 | 0.080 | 0.115 | 2.03 | 2.92 |
| b | 0.015 | 0.040 | 0.38 | 1.02 |
| c | 0.014 | 0.024 | 0.36 | 0.61 |
| D | 0.560 | 0.650 | 14.22 | 16.51 |
| D1 | 0.330 | 0.355 | 8.38 | 9.02 |
| D2 | 0.480 | 0.507 | 12.19 | 12.88 |
| E | 0.380 | 0.420 | 9.65 | 10.67 |
| E1 | 0.270 | 0.350 | 6.86 | 8.89 |
| e | 0.100 BSC | | 2.54 BSC | |
| e1 | 0.200 BSC | | 5.08 BSC | |
| H1 | 0.230 | 0.270 | 5.84 | 6.86 |
| L | 0.500 | 0.580 | 12.70 | 14.73 |
| L1 | — | 0.250 | — | 6.35 |
| P | 0.139 | 0.156 | 3.53 | 3.96 |
| Q | 0.103 | 0.113 | 2.62 | 2.87 |
| V | 0.240 REF | | 6.10 REF | |
| θ | 3° | 7° | 3° | 7° |
| N | 3 | 3 | 3 | 3 |

* Refer to product datasheet for P0D option being used

| | | | |
|---|----------------|--------------------|--------------|
|  | | SIPLEX CORPORATION | |
| | | | |
| Packaging Approval: | Date: 05/25/06 | Drawing No: | 3-PIN TO-220 |
| By: JL | | Revision: | B |
| | | Sheet: | 1 OF 2 |



| REVISION HISTORY | | | |
|------------------|-----------------------------|----------|-------|
| REV. | DISCRIPTION | DATE | APP'D |
| A | DRAWING ORIGINATION | 08/04/05 | JL |
| B | DRAWING FORMAT MODIFICATION | 09/14/06 | JL |

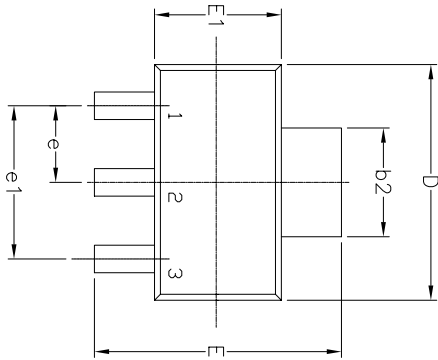
| 3 Pin TO-252 JEDEC TO-252 Variation AA | | | | | | |
|--|--------------------------------------|-----------|------|--------------------------------------|------|-----|
| SYMBOLS | DIMENSIONS IN INCH (Control Unit) | | | DIMENSIONS IN MM (Reference Unit) | | |
| | MIN | NOM | MAX | MIN | NOM | MAX |
| A | 0.086 | 0.094 | 2.18 | 2.39 | MAX | — |
| A1 | — | 0.005 | — | 0.13 | — | — |
| b | 0.025 | 0.035 | 0.64 | 0.89 | — | — |
| b2 | 0.030 | 0.045 | 0.76 | 1.14 | — | — |
| b3 | 0.195 | 0.215 | 4.95 | 5.46 | — | — |
| c | 0.018 | 0.024 | 0.46 | 0.61 | — | — |
| D | 0.018 | 0.035 | 0.46 | 0.69 | — | — |
| D1 | 0.205 | 0.245 | 5.21 | 6.10 | 6.22 | — |
| E | 0.290 | 0.285 | 6.35 | 6.73 | — | — |
| E1 | 0.170 | — | 4.32 | — | — | — |
| e | — | 0.090 BSC | — | 2.29 BSC | — | — |
| H | 0.370 | 0.410 | 9.40 | 10.41 | — | — |
| L | 0.055 | 0.060 | 1.40 | 1.52 | 1.78 | — |
| L1 | — | 0.108 REF | — | 2.74 REF | — | — |
| L2 | — | 0.020 BSC | — | 0.51 BSC | — | — |
| L3 | 0.035 | 0.050 | 0.89 | 1.27 | — | — |
| L4 | — | 0.040 | — | 1.02 | — | — |
| L5 | 0.045 | 0.060 | 1.14 | 1.52 | — | — |
| theta | 0° | 10° | 0° | 10° | — | — |
| theta1 | 0° | 15° | 0° | 15° | — | — |
| N | 3 | 3 | 3 | 3 | — | — |

SIPLEX CORPORATION

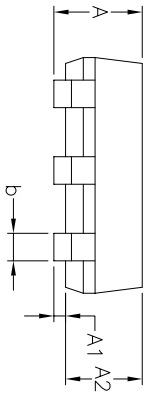
3 PIN TO-252 PACKAGE OUTLINE

| | | | |
|-----------------------|--------------|-----------|--------|
| Packaging Approval: | Drawing No: | Revision: | Sheet: |
| By: JL Date: 09/14/06 | 3-PIN TO-252 | B | 1 OF 1 |

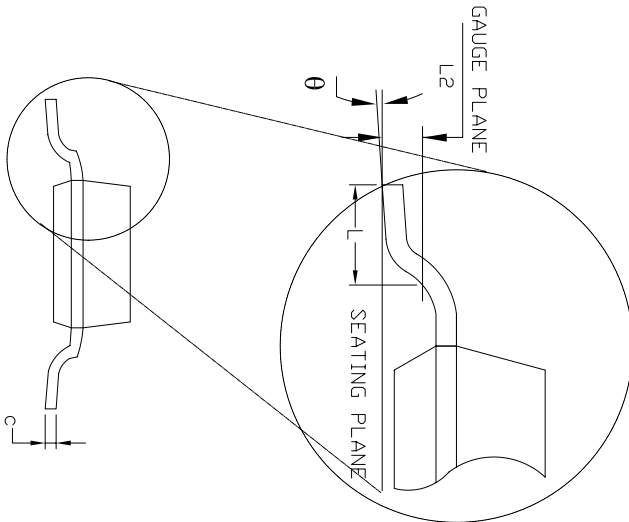
Top View



Side View




Front View



| 3 Pin SOT-223 JEDEC TO-261 Variation AA | | DIMENSIONS IN MM | | DIMENSIONS IN INCH | |
|---|------|------------------|------|--------------------|-----------|
| SYMBOLS | MIN | NOM | MAX | MIN | MAX |
| | | | | | |
| A | — | 1.80 | — | — | 0.071 |
| A1 | 0.02 | — | 0.10 | 0.001 | — |
| A2 | 1.50 | 1.60 | 1.70 | 0.060 | 0.067 |
| b | 0.66 | 0.76 | 0.84 | 0.026 | 0.033 |
| b2 | 2.90 | 3.00 | 3.10 | 0.114 | 0.122 |
| c | 0.23 | 0.30 | 0.35 | 0.010 | 0.014 |
| D | 6.30 | 6.50 | 6.70 | 0.248 | 0.264 |
| E | 6.70 | 7.00 | 7.30 | 0.264 | 0.287 |
| E1 | 3.30 | 3.50 | 3.70 | 0.130 | 0.146 |
| e | — | 2.30 BSC | — | — | 0.091 BSC |
| e1 | — | 4.60 BSC | — | — | 0.182 BSC |
| L | 0.75 | — | — | 0.030 | — |
| L2 | — | 0.25 BSC | — | — | 0.010 BSC |
| θ | 0° | — | 10° | 0° | — |
| N | — | 3 | — | — | 3 |

| REVISION HISTORY | | | |
|------------------|-----------------------------|----------|-------|
| REV. | DESCRIPTION | DATE | APP'D |
| A | DRAWING ORIGINATOR | 08/08/05 | JL |
| B | DRAWING FORMAT MODIFICATION | 09/11/06 | JL |

| | | | |
|---|----------------|-------------------------------|---------------|
|  | | SIPLEX CORPORATION | |
| | | 3 PIN SOT-223 PACKAGE OUTLINE | |
| Packaging Approval: | By: JL | Drawing No: | Revision: B |
| Date: 09/11/06 | Date: 09/11/06 | 3-PIN SOT-223 | Sheet: 1 OF 1 |

| Part Number | Package Code | RoHS | Status | Pack Type | Pack Qty |
|--------------------|--------------|------|--------|-------------|----------|
| SPX1521M3-L-3-3 | SOT-223-3 | • | Active | Tube | 78 |
| SPX1521M3-L-5-0 | SOT-223-3 | • | Active | Tube | 78 |
| SPX1521M3-L-5-0/TR | SOT-223-3 | • | Active | Tape & Reel | 2500 |
| SPX1521R-3-3 | TO-252 | | EOL | Tube | 77 |
| SPX1521T-L-5-0 | TO-263-3 | • | EOL | Tube | 50 |
| SPX1521R-3-3/TR | TO-252 | | OBS | Tape & Reel | 2500 |
| SPX1521R-5-0 | TO-252 | | OBS | Tube | 77 |
| SPX1521R-5-0/TR | TO-252 | | OBS | Tape & Reel | 2500 |
| SPX1521R-L-3-3 | TO-252 | • | OBS | Tube | 77 |
| SPX1521R-L-3-3/TR | TO-252 | • | OBS | Tape & Reel | 2500 |
| SPX1521R-L-5-0 | TO-252 | • | OBS | Tube | 77 |
| SPX1521R-L-5-0/TR | TO-252 | • | OBS | Tape & Reel | 2500 |
| SPX1521T-3-3 | TO-263-3 | | OBS | Tube | 50 |
| SPX1521T-3-3/TR | TO-263-3 | | OBS | Tape & Reel | 500 |
| SPX1521T-5-0 | TO-263-3 | | OBS | Tube | 50 |
| SPX1521T-5-0/TR | TO-263-3 | | OBS | Tape & Reel | 500 |
| SPX1521T-L-3-3 | TO-263-3 | • | OBS | Tube | 50 |
| SPX1521T-L-3-3/TR | TO-263-3 | • | OBS | Tape & Reel | 500 |
| SPX1521T-L-5-0/TR | TO-263-3 | • | OBS | Tape & Reel | 500 |
| SPX1521U-3-3 | TO-220-3 | | OBS | Tube | 50 |
| SPX1521U-5-0 | TO-220-3 | | OBS | Tube | 50 |
| SPX1521U-L-3-3 | TO-220-3 | • | OBS | Tube | 50 |
| SPX1521U-L-5-0 | TO-220-3 | • | OBS | Tube | 50 |





Sipex Corporation

Headquarters and
Sales Office
233 South Hillview Drive
Milpitas, CA 95035
TEL: (408) 934-7500
FAX: (408) 935-7600







Sipex Corporation reserves the right to make changes to any products described herein. Sipex does not assume any liability arising out of the application or use of any product or circuit described herein; neither does it convey any license under its patent rights nor the rights of others.

Looking for pricing, stock, or lifecycle information?

Click below to explore more details on WIN SOURCE:

-  [View SPX1521M3-L-5-0/TR on WIN SOURCE](#)
-  [MaxLinear Inc Information](#)

Optimize Your Supply Chain with WIN SOURCE Solutions

-  Global Sourcing Solution
-  Obsolete Management
-  Cost Control Management
-  Shortage Management
-  Alternative Solution
-  Excess Inventory Management