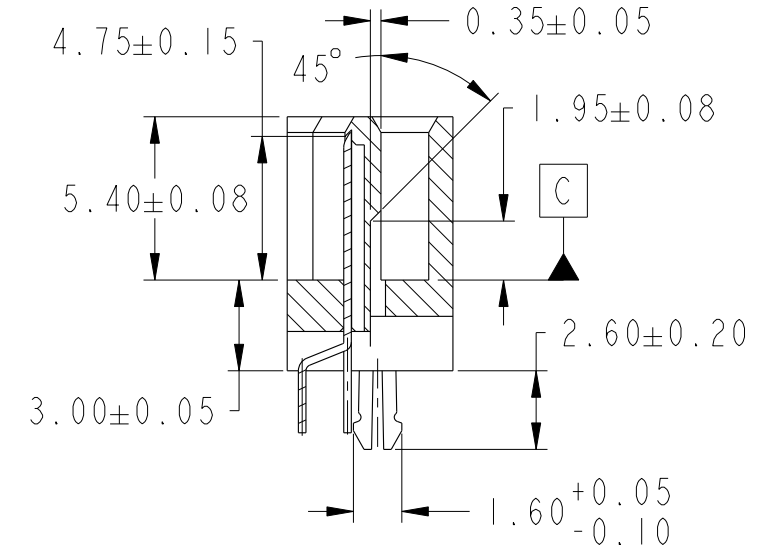
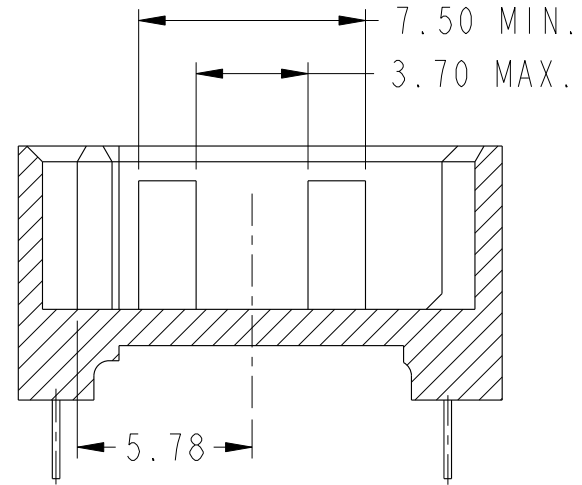
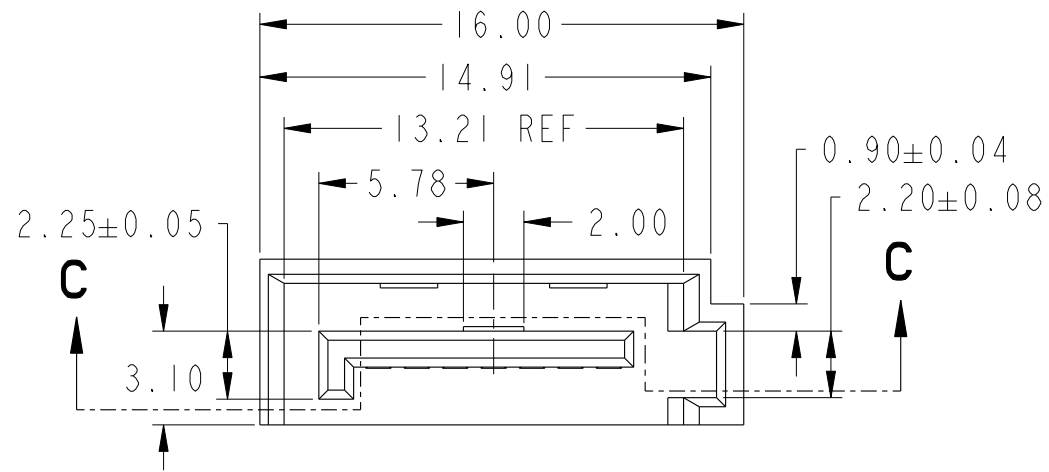
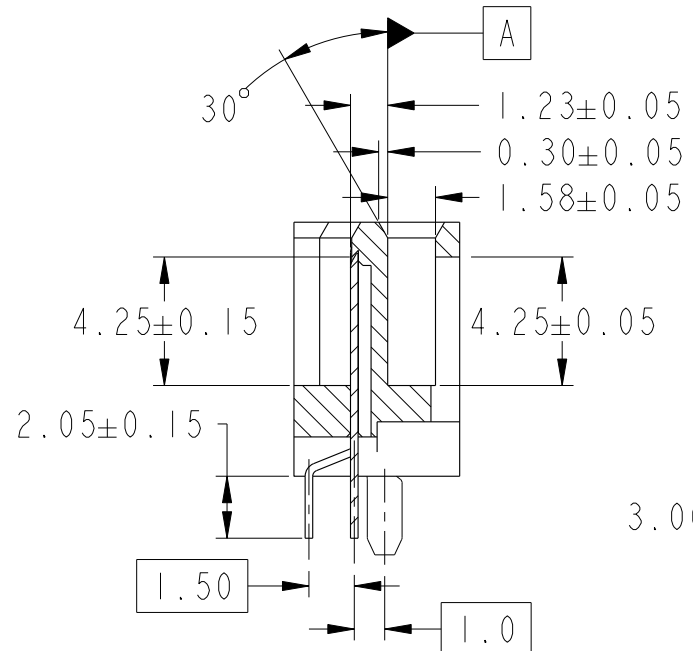
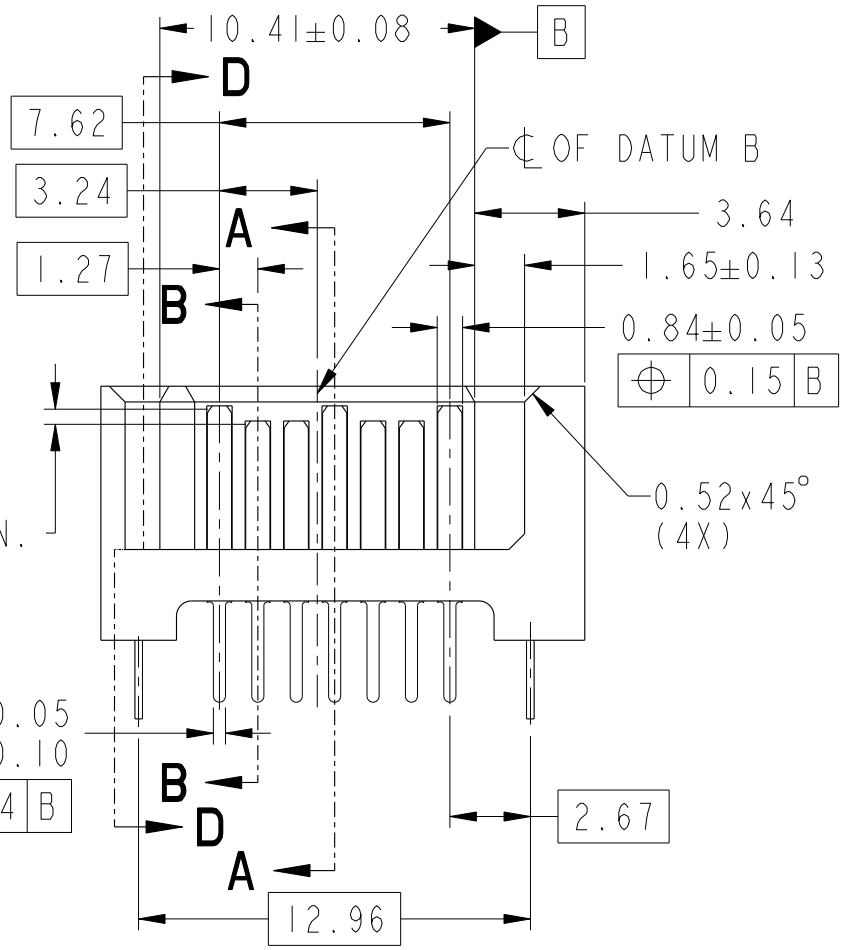


PRODUCT NO.
10035690-XXX-3W

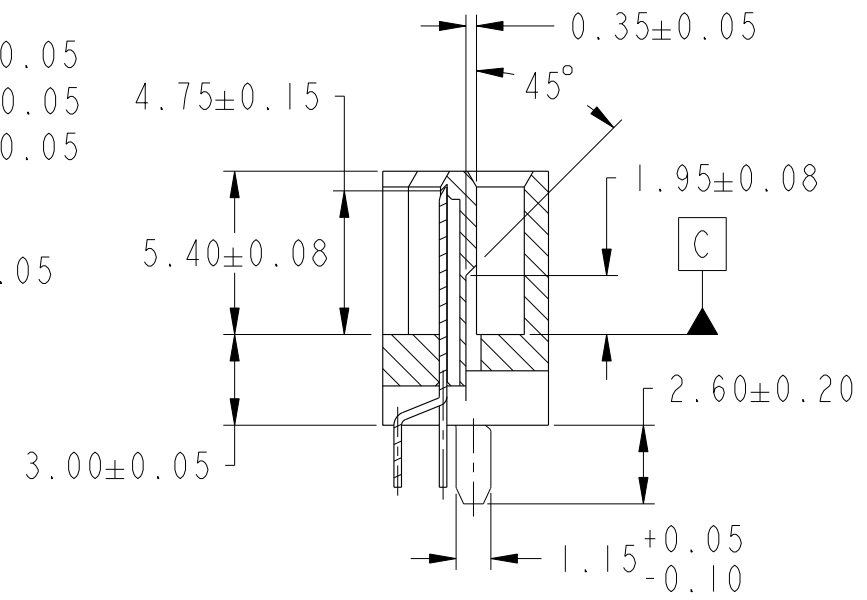


SECTION C-C

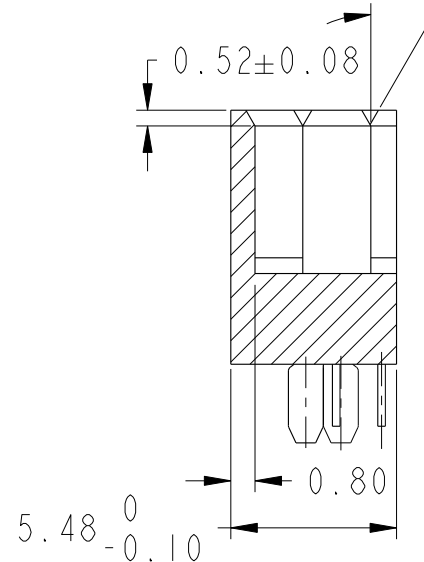
SECTION A-A
METAL CLIP A



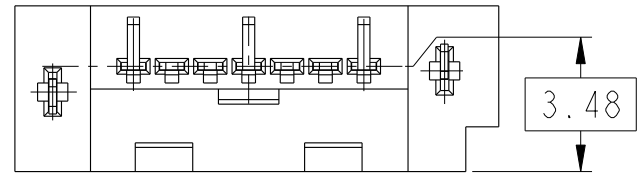
SECTION B-B



SECTION A-A
METAL CLIP B



SECTION D-D



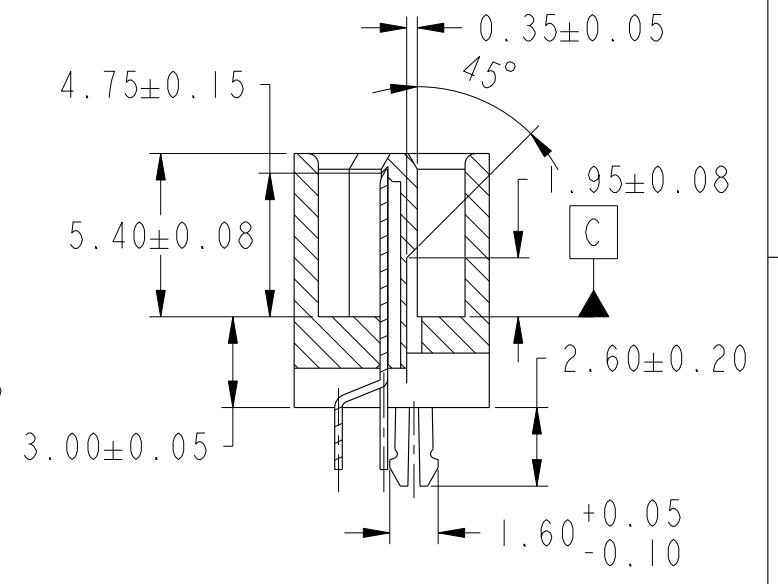
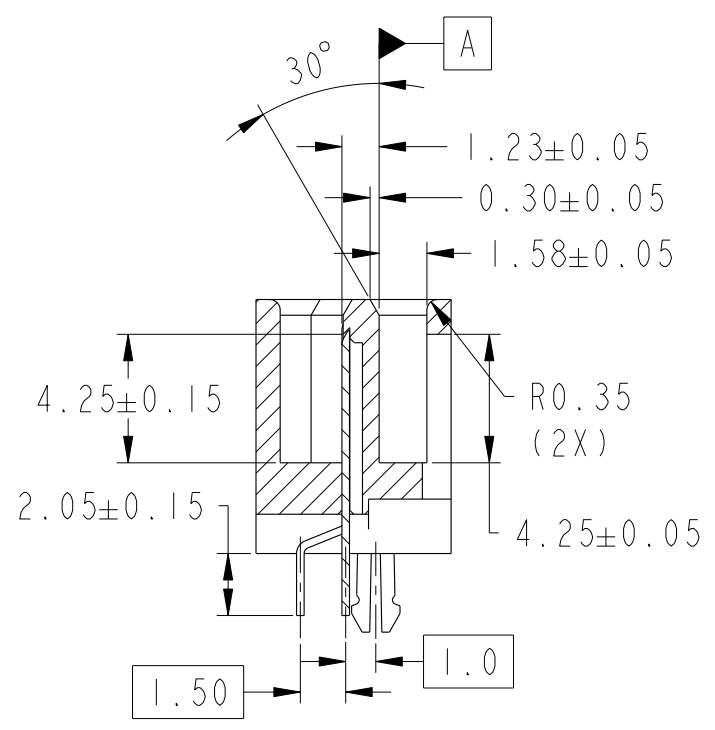
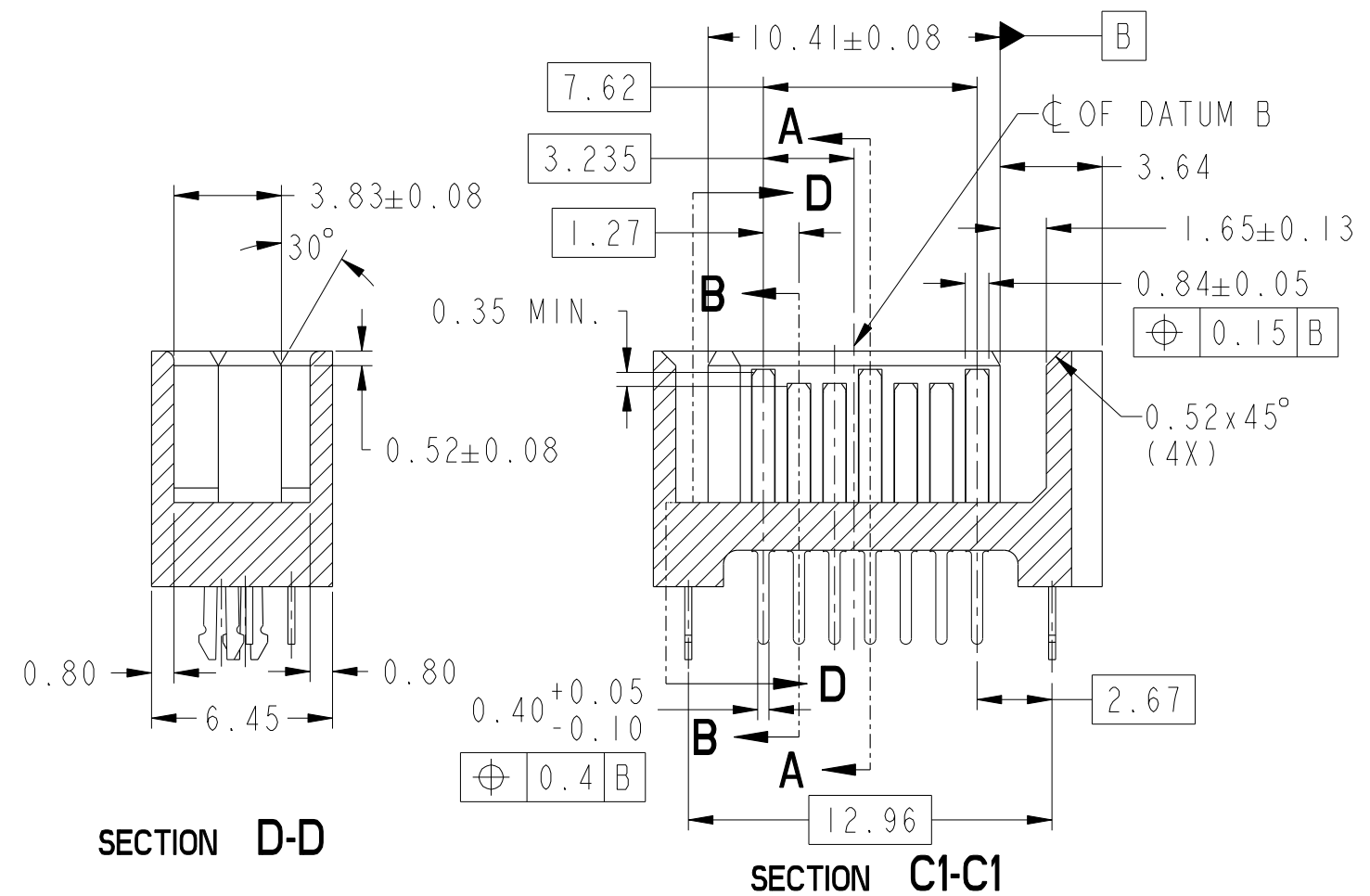
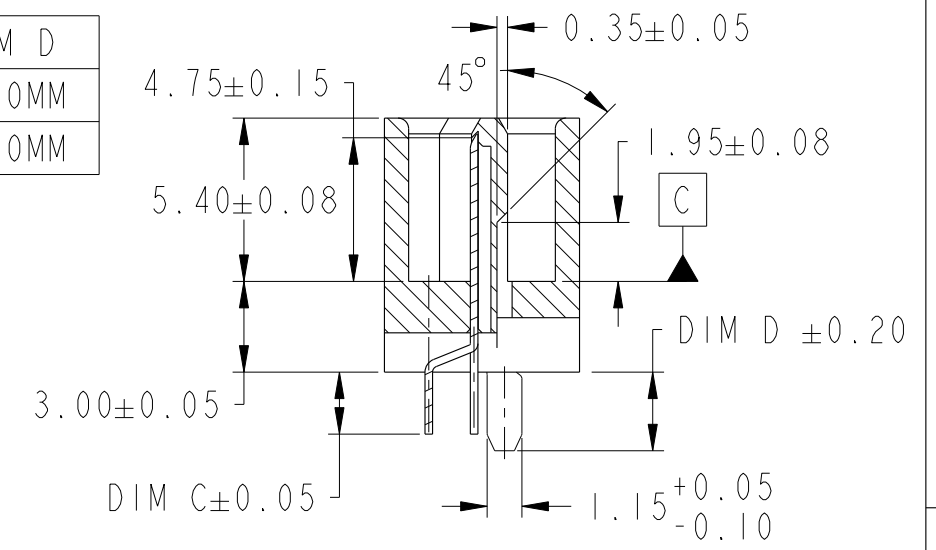
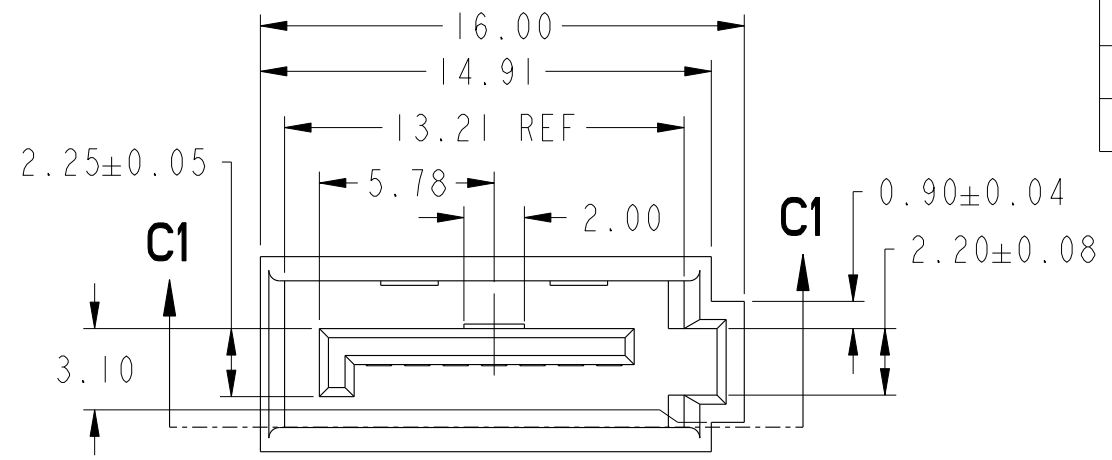
spec ref	-	dr	Wade Liu	09/09/05	projection	mm	size	A3	scale	4:1
tolerance std	ASME Y14.5M	eng	Wade Liu	09/09/05			ecn no	ELX-S-32119-1	rel level	ptc.wm.lifecycle.state
TOLERANCES UNLESS OTHERWISE SPECIFIED		chr	Wade Liu	09/09/05						
surface	linear	appr	Sterling Lin	09/09/05	S-ATA SIGNAL PLUG DIP VERTICAL TYPE ASSY		rel level	ptc.wm.lifecycle.state	rev	C
ASME Y14.5	angular	0°	±2°	cat. no.	-	Product - Customer Drw	sheet 1 of 4			

Amphenol FCI

© 2016 AFCI

PRODUCT NO.
10035690-XXX-4W

SUFFIX	DIM C	DIM D
OTHERS	2.05MM	2.60MM
-XX4XLF	3.05MM	3.40MM

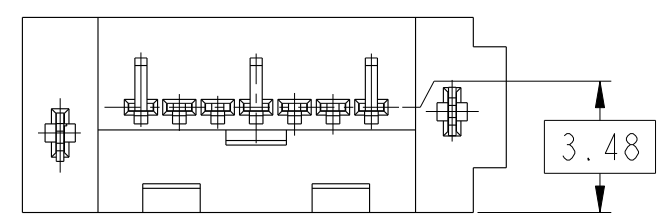


SECTION D-D

SECTION C1-C1

SECTION B-B

SECTION A-A METAL CLIP A



spec ref	-	dr	Wade Liu	09/09/05	projection	mm	size	A3	scale	4:1
tolerance std	ASME Y14.5M	eng	Wade Liu	09/09/05			ecn no	ELX-S-32119-1	rel level	ptc.wm.lifecycle.state
TOLERANCES UNLESS OTHERWISE SPECIFIED		chr	Wade Liu	09/09/05						
surface	linear	appr	Sterling Lin	09/09/05	S-ATA SIGNAL PLUG DIP VERTICAL TYPE ASSY		rel level	ptc.wm.lifecycle.state	dwg no	10035690
ASME Y14.5	angular				cat. no.	-	Product - Customer Drw	sheet 2 of 4	rev	C

Amphenol FCI

© 2016 AFCI

A

B

C

D


A

B

C

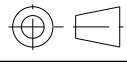
D

NOTE:

- 1. MATERIAL
 - i) HOUSING: PA9T UL94V-0.
 - ii) TERMINAL: BRASS: C2680.
 - iii) HOLD DOWN: BRASS: C2680.
- 2. FINISH
 - i) TERMINAL: Au PLATING AT CONTACT POINT
100μ" MIN Sn-Pb or PURE TIN PLATING AT SOLDER TAIL WITH NICKEL UNDERPLATE.
 - ii) HOLD DOWN: 100-200μ" Sn-Pb or PURE TIN PLATING.
- 3. P/N:10035690-XXXXLF
THE HOUSING WILL WITHSTAND EXPOSURE TO 260°C PEAK TEMPERATURE FOR 10 SECONDS IN A WAVE SOLDER APPLICATION WITH 1.6MM MINIMUM THICK CIRCUIT BOARD.
- 4. PACKAGING SPEC: GS-14-840.
- 5. PRODUCT SPEC: GS-12-194.
- 6. THIS PRODUCT MEETS EUROPEAN UNION DIRECTIVES AND OTHER CONUNTRY REGULATIONS AS DESCRIBED IN GS-47-0004.
- 7. DIMENSIONS WITH AN "OVAL" AROUND ARE CRITICAL CHARACTERISTIC (CC) DIMENSIONS OR (IPI) IN PROCESS INSPECTION. OHTER FEATURES OR STAND-ALONE GEOMETRICAL TOLERANCES THAT ARE DESIGNATED AS (CC) OR (IPI) HAVE THE NOTE "INSPECTION FEATURES" BELOW THEM.
- 8. A  SYMBOL WILL BE NEXT TO ANY DIMENSION, VIEW, OR NOTE WHICH HAS BEEN MODIFIED WITH THE CURRENT DRAWING REVISION.


Amphenol
FCi

© 2016 AFCI

spec ref		-		dr	Wade Liu	09/09/05	projection	mm	size	A3	scale	4:1			
tolerance std		ASME Y14.5M		eng	Wade Liu	09/09/05		← →	ecn no		ELX-S-32119-1				
TOLERANCES UNLESS OTHERWISE SPECIFIED				chr	Wade Liu	09/09/05			product family		SATA				
surface		linear		appr	Sterling Lin	09/09/05	rel level		ptc.wm.lifecycle.state						
		0.X ±0.30		Amphenol FCI		S-ATA SIGNAL PLUG DIP VERTICAL TYPE ASSY		dwg no		10035690		rev C			
		0.XX ±0.20													
		0.XXX ±0.10													
ASME Y14.5		angular				0° ±2°		cat. no.		-		Product - Customer Drw		sheet 4 of 4	

Looking for pricing, stock, or lifecycle information?

Click below to explore more details on WIN SOURCE:

 [View 10035690-002-4WLF on WIN SOURCE](#)

 [Amphenol FCI Information](#)

Optimize Your Supply Chain with WIN SOURCE Solutions

-  Global Sourcing Solution
-  Obsolete Management
-  Cost Control Management
-  Shortage Management
-  Alternative Solution
-  Excess Inventory Management