



**THE DATASHEET OF
10035692-001TLF**



DIM 'E'	DIM 'F'	PACKING	NOTE
1.95	2.40	TUBE	
1.95	2.40	T&R	
0.95	3.36	TUBE	
1.95	2.40	T&R	H FREE



3 THERMOPLASTIC UL94V-0, BLACK

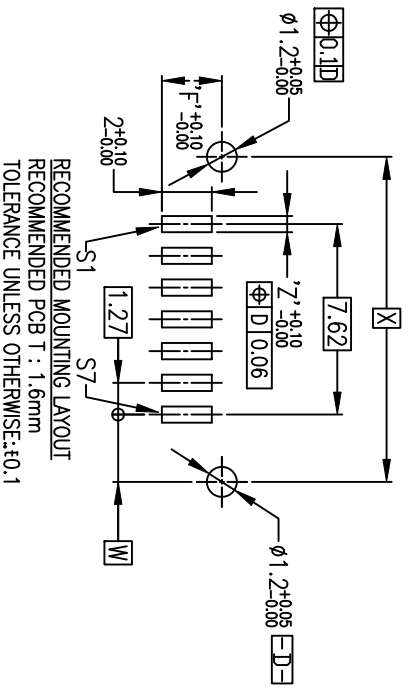
3 AT CONTACT POINT
AT SOLDER TAIL WITH

ATING.

3 ASSURE TO 260 DEGREE C PEAK
A WAVE SOLDER APPLICATION WITH
RD.

3 92-001TLF ONLY)

004&10026026-004





RECOMMENDED MOUNTING LAYOUT
RECOMMENDED PCB T : 1.6mm
TOLERANCE UNLESS OTHERWISE:±0.1

mat'l. code				tolerances unless otherwise specified				CUSTOMER COPY		FCI		www.fciconnect.com	
ltr	ecn no	dr	ddte	lineor	.XX ± 0.30	.XX ± 0.20	.XXX ± 0.10	projection	title	product family	SATA	code	sheet
A	T05-0213	L.W	09/09/05						S-ATA SIGNAL PLUG				
B	T06-0181	S.Lin	11/01/06						SMT R/A TYPE ASSY				
C	T08-1100	S.Lin	06/10/08	angles	0° ±2°								
D	T10-0185	S.Lin	10-12-08	dr	WADE LU	09/09/05							
				engr	WADE LU	09/09/05							
				chr	WADE LU	09/09/05							
				appd	STERLING LIN	09/09/05							
sheet	revision	D	D										
index	sheet	1	2										

Looking for pricing, stock, or lifecycle information?

Click below to explore more details on WIN SOURCE:

-  [View 10035692-001TLF on WIN SOURCE](#)
-  [Amphenol FCI Information](#)

Optimize Your Supply Chain with WIN SOURCE Solutions

-  Global Sourcing Solution
-  Obsolete Management
-  Cost Control Management
-  Shortage Management
-  Alternative Solution
-  Excess Inventory Management