

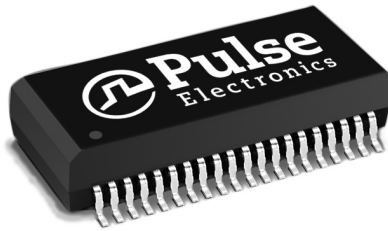


**THE DATASHEET OF  
H1036LNL**



# 10/100Base-TX Quad Port Transformer Modules

For Use with Transceivers Requiring 1:1 Transmit and Receive Turns Ratio



- RoHS peak reflow temperature rating: 245°C
- Meets IEEE 802.3 specification
- Models designed to support four single or double-stacked RJ-45 connectors

## Electrical Specifications @ 25°C - Operating Temperature 0°C to 70°C

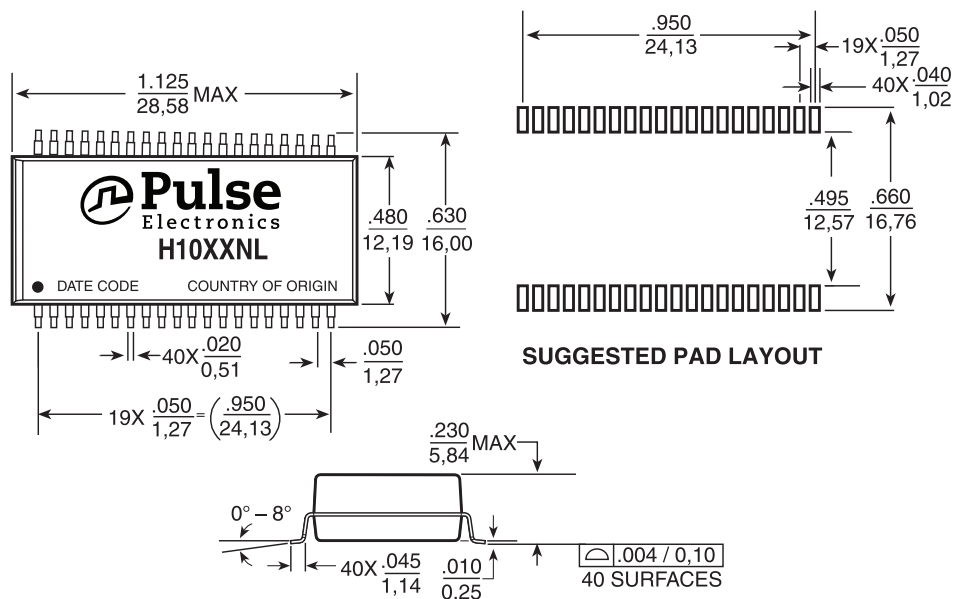
Part Number <sup>1</sup>	Insertion Loss (dB TYP)	Return Loss (dB TYP)					Crosstalk (dB TYP)				Common to Common Rejection Ratio 0.1-60 MHz (dB TYP)		Differential to Common Mode Rejection (dB TYP)	
		0.1-100 MHz	2-30 MHz	40 MHz	50 MHz	60-80 MHz	1 MHz	30 MHz	60 MHz	100 MHz	TX	RX	1-60 MHz	60-200 MHz
H1036LNL <sup>2d</sup>	-0.5	-21	-17	-14.5	-12	-65	-55	-45	-35	-30	-30	-40	-30	
H1044NL <sup>2d</sup>	-0.5	-21	-17	-14.5	-12	-65	-55	-45	-35	-30	-30	-40	-30	
H1053NL <sup>2d</sup>	-0.5	-21	-17	-14.5	-12	-65	-50	-40	-30	-30	-30	-40	-30	
H1060NL <sup>2d</sup>	-0.5	-21	-17	-14.5	-12	-65	-50	-40	-30	-30	-30	-40	-30	
H1062NL <sup>2d</sup>	-0.5	-21	-17	-14.5	-12	-65	-55	-45	-35	-30	-30	-40	-30	

1. For Tape & Reel packaging, add the suffix "T" to the end of the part number when ordering. e.g. H1044NLT.

2. MSL = Moisture Sensitivity Level a=1, b=2, c=3, d=4

## Mechanicals

### H10XXNL



Weight .....4.0 grams TYP  
 Tube .....15/tube  
 Tape & Reel .....250/reel

Dimensions:  $\frac{\text{Inches}}{\text{mm}}$  Unless otherwise specified, all tolerances are  $\pm \frac{.10}{0.25}$

USA 858 674 8100

Germany 49 7032 7806 0

Singapore 65 6287 8998

Shanghai 86 21 62787060

China 86 755 33966678

Taiwan 886 3 4356768

# 10/100Base-TX Quad Port Transformer Modules

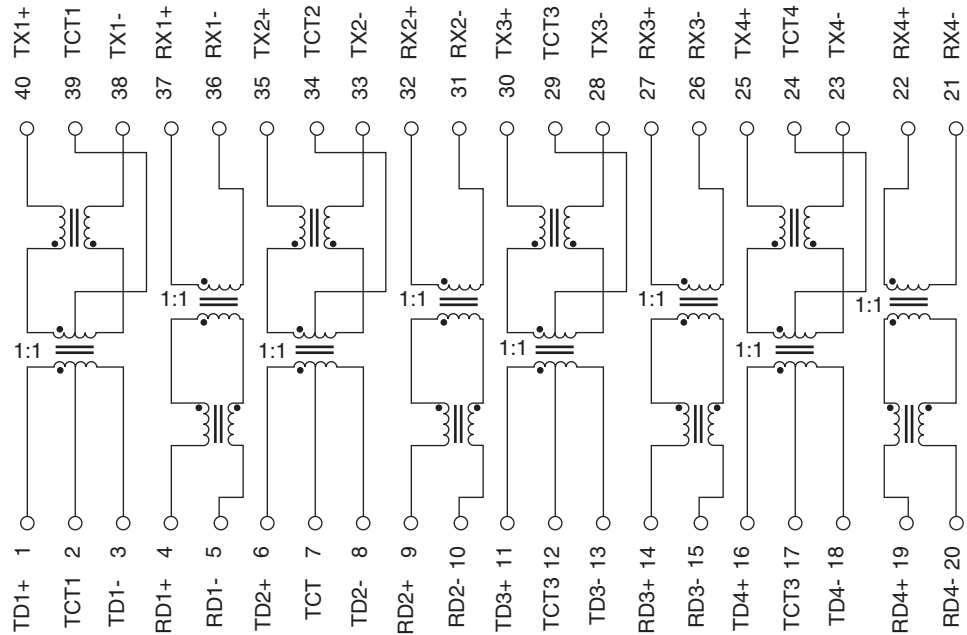
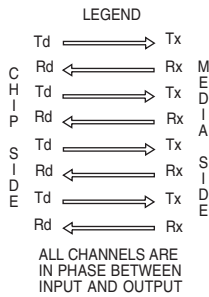


For Use with Transceivers Requiring 1:1 Transmit and Receive Turns Ratio

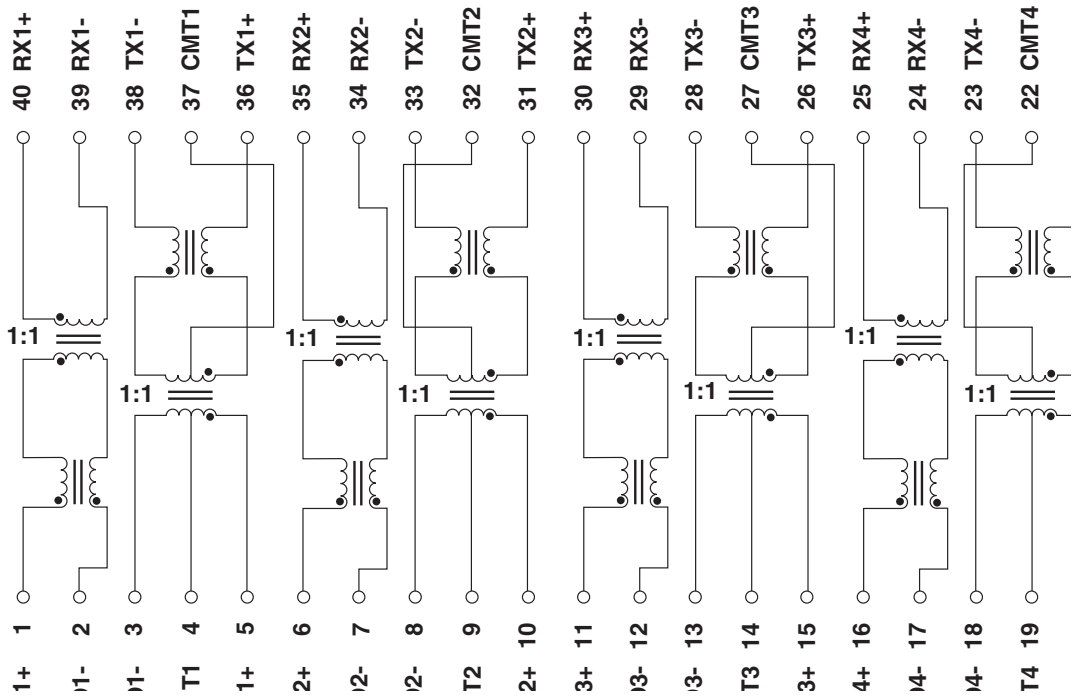
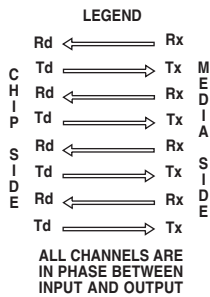
**Quad-Port Solutions:** These quad modules are designed to support four single or double stacked RJ-45 connectors. Each has a different pinout for optimization in layout with various IC manufacturers.

## Schematics

### H1036LNL



### H1044NL



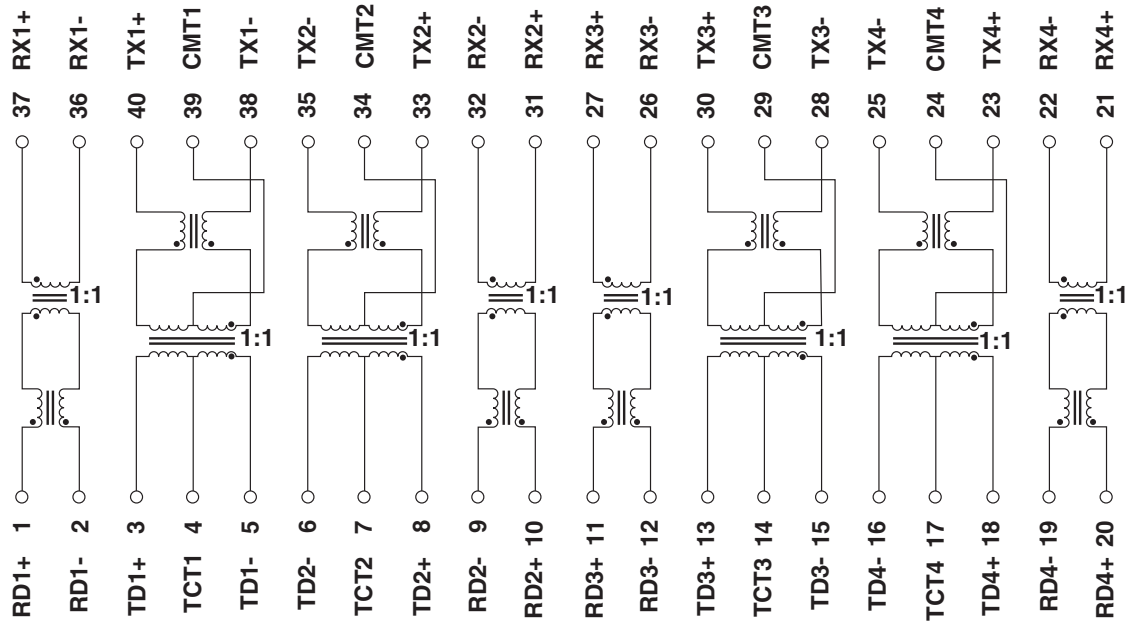
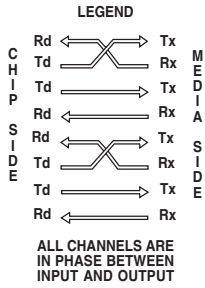
# 10/100Base-TX Quad Port Transformer Modules



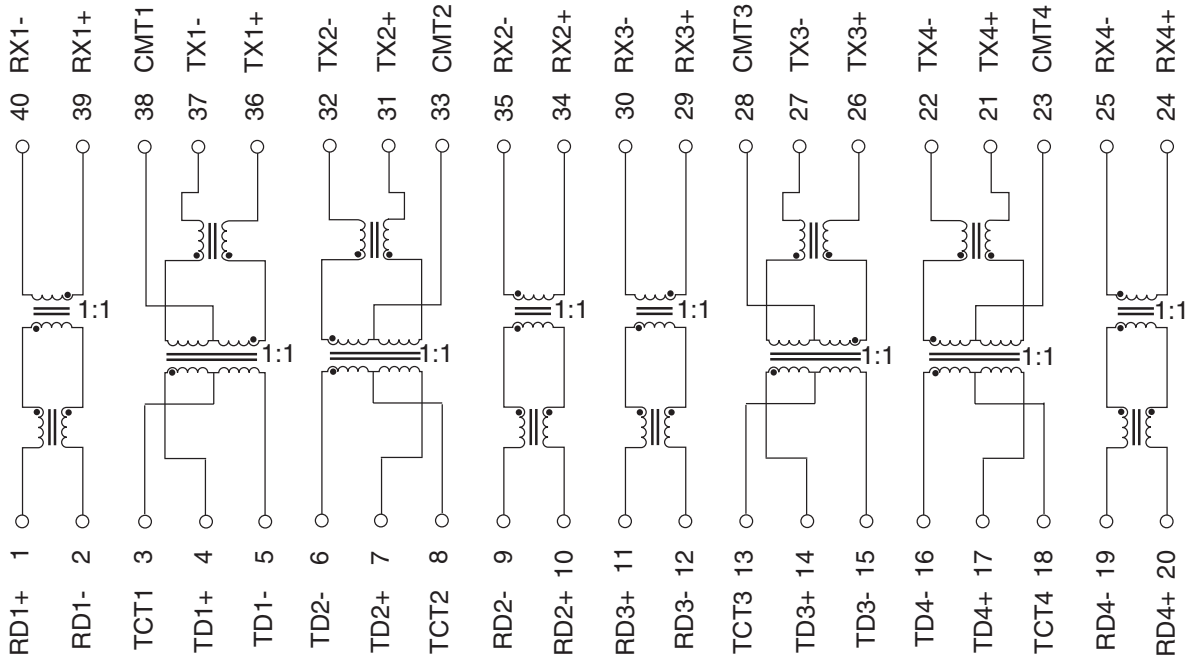
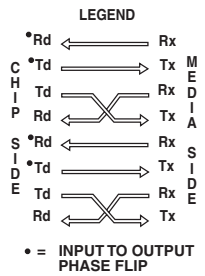
For Use with Transceivers Requiring 1:1 Transmit and Receive Turns Ratio

## Schematics (continued)

### H1053NL



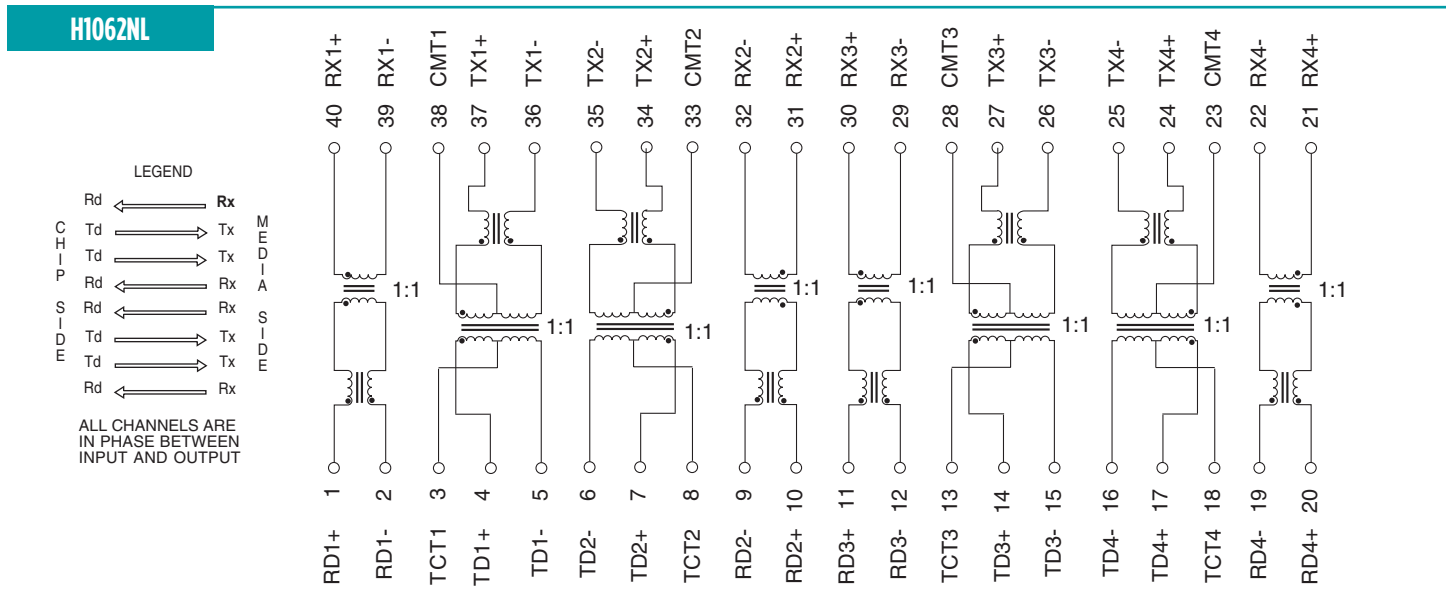
### H1060NL



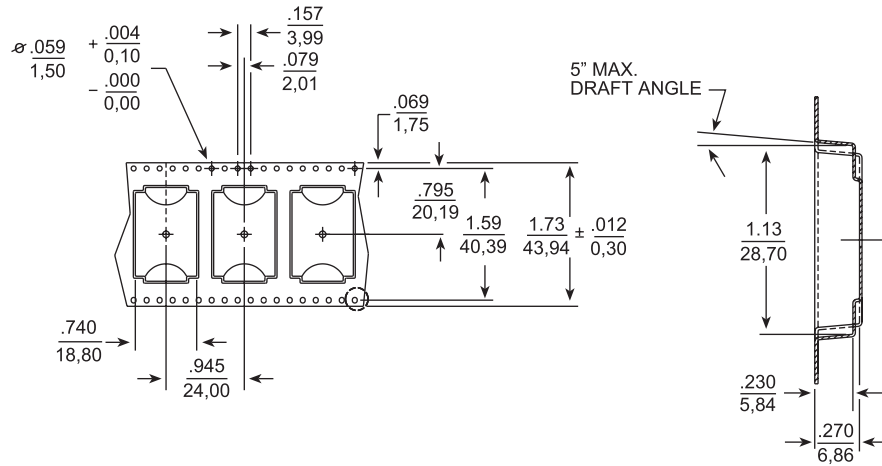
# 10/100Base-TX Quad Port Transformer Modules

For Use with Transceivers Requiring 1:1 Transmit and Receive Turns Ratio

## Schematics (continued)



## Tape & Reel Specifications



## For More Information

**Pulse Worldwide Headquarters**  
12220 World Trade Drive  
San Diego, CA  
92128  
U.S.A.

Tel: 858 674 8100

**Pulse Europe**  
Einsteinstrasse 1  
D-71083 Herrenberg  
Germany

Tel: 49 7032 7806

**Pulse China Headquarters**  
B402, Shenzhen Academy of  
Aerospace Technol-  
ogy Bldg.  
10th Kejian Road  
High-Tech Zone  
Nanshan District  
Shenzhen, PR China  
518057

**Pulse North China**  
Room 2704/2705  
Super Ocean Finance  
Ctr.  
2067 Yan An Road  
West  
Shanghai 200336  
China

**Pulse South Asia**  
135 Joo Seng Road  
#03-02  
PM Industrial Bldg.  
Singapore 368363

Tel: 65 6287 8998  
Fax: 65 6287 8998

**Pulse North Asia**  
3F, No. 198  
Zhongyuan Road  
Zhongli City  
Taoyuan County 320  
Taiwan R. O. C.  
Tel: 886 3 4356768  
Fax: 886 3 4356823  
(Pulse)

Performance warranty of products offered on this data sheet is limited to the parameters specified. Data is subject to change without notice. Other brand and product names mentioned herein may be trademarks or registered trademarks of their respective owners. © Copyright, 2011. Pulse Electronics, Inc. All rights reserved.