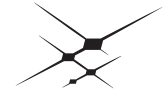




**THE DATASHEET OF
SE2432L-R**





DATA SHEET

SE2432L: 2.4 GHz ZigBee®/Smart Energy Front-End Module

Applications

- Smart meters
- In-home appliances
- Smart thermostats

Features

- Integrated PA with up to +24 dBm output power
- Integrated LNA with programmable bypass
- Integrated antenna switching with transmit and receive diversity function
- Low NF: 2 dB typical
- Differential transmit/receive interface with integrated baluns
- Fast switch on/off time: <800 ns
- Supply range: 2.0 V to 3.6 V
- Sleep mode current: 0.05 µA typical
- Small QFN (24-pin, 3 x 4 mm) package (MSL1, 260 °C per JEDEC-J-STD-020)



Skyworks Green™ products are compliant with all applicable legislation and are halogen-free. For additional information, refer to *Skyworks Definition of Green™*, document number SQ04-0074.

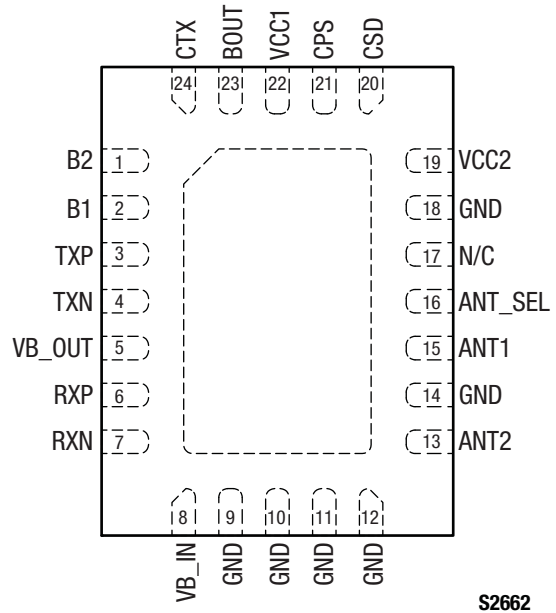


Figure 1. SE2432L Pinout – 24-Pin QFN (Top View)

Description

The SE2432L is a high performance, fully integrated RF Front-End Module (FEM) designed for ZigBee®/Smart Energy applications.

The SE2432L is designed for ease of use and maximum flexibility. The device provides integrated and fully matched input baluns, an integrated inter-stage matching and harmonic filter, and digital controls compatible with 1.6 to 3.6 V CMOS levels.

The RF blocks operate over a wide supply voltage range from 2.0 V to 3.6 V that allows the SE2432L to be used in battery powered applications over a wide spectrum of the battery discharge curve.

The SE2432L is provided in a small, 24-pin, 3 x 4 mm Quad Flat No-Lead (QFN) package. The pin configuration and package are shown in Figure 1. A functional block diagram is shown in Figure 2. Signal pin assignments and functional pin descriptions are provided in Table 1.

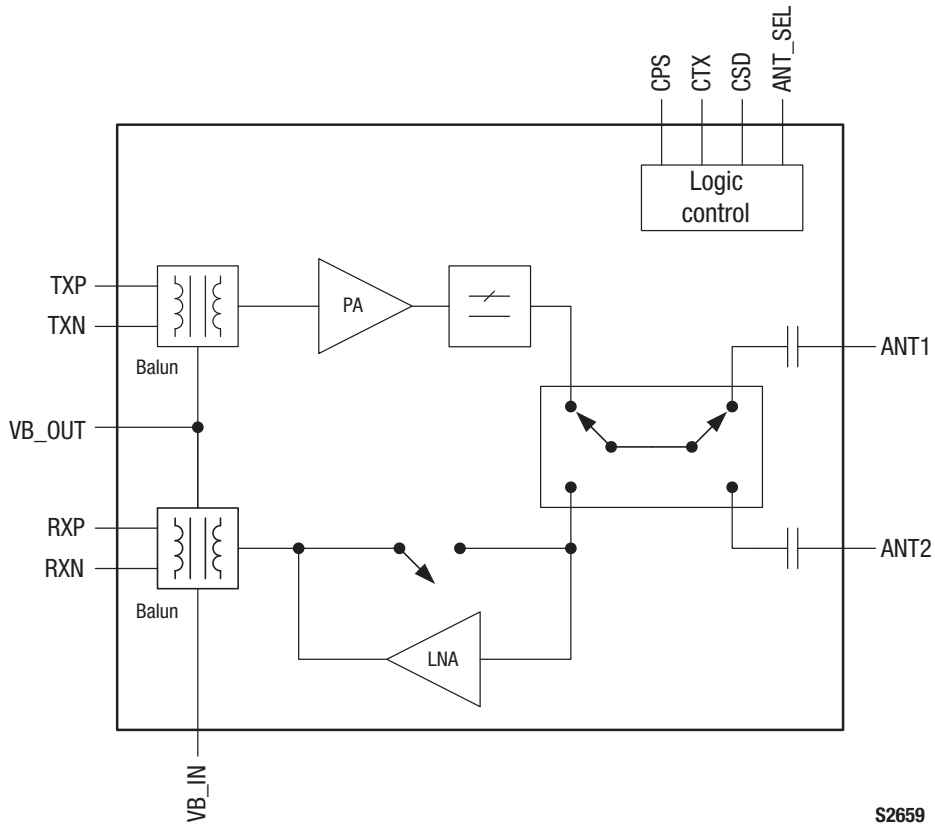


Figure 2. SE2432L Block Diagram

Table 1. SE2432L Signal Descriptions

Pin	Name	Description	Pin	Name	Description
1	B2	Connect through bias resistor to pin 23	13	ANT2	Connect to 50 Ω antenna
2	B1	Connect through bias resistor to pin 23	14	GND	Ground
3	TXP	Positive transmit input signal from transceiver, 200 Ω differential	15	ANT1	Connect to 50 Ω antenna
4	TXN	Negative transmit input signal from transceiver, 200 Ω differential	16	ANT_SEL	Connect to GPIO signal to control antenna switch (see Table 7)
5	VB_OUT	Transmit balun bias core supply from transceiver (optional connection)	17	N/C	No connection
6	RXP	Positive receiver output signal to transceiver, 200 Ω differential	18	GND	Ground
7	RXN	Negative receiver output signal to transceiver, 200 Ω differential	19	VCC2	Connect to positive supply
8	VB_IN	Receive balun bias core supply from transceiver (optional connection)	20	CSD	Connect to GPIO signal for mode control (see Table 9)
9	GND	Ground	21	CPS	Connect to GPIO signal for mode control (see Table 6)
10	GND	Ground	22	VCC1	Connect to positive supply
11	GND	Ground	23	BOUT	Star connect to bias1 and bias 2 resistors
12	GND	Ground	24	CTX	Connect to GPIO signal for mode control (see Table 6)

Table 2. SE2432L Absolute Maximum Ratings (Note 1)

Parameter	Symbol	Minimum	Maximum	Units
Supply voltage	V _{CC1}	-0.3	+3.6	V
Supply voltage	V _{CC2}	-0.3	+3.8 (Note 2)	V
Control pin voltages		-0.3	+3.6	V
Transmit output power at ANT1 or ANT2 port into 50 Ω load	P _{OUT_TX_MAX}		+24	dBm
Transmit input power at the TXN and TXP ports	P _{IN_TX_MAX}		+6	dBm
Receive input power at ANT1 or ANT2 ports	P _{IN_RX_MAX}		+5	dBm
Operating temperature	T _A	-40	+125	°C
Storage temperature	T _{STG}	-40	+125	°C
Electrostatic discharge: Human Body Model (HBM), Class 1C	ESD		1000	V

Note 1: Exposure to maximum rating conditions for extended periods may reduce device reliability. There is no damage to device with only one parameter set at the limit and all other parameters set at or below their nominal value. Exceeding any of the limits listed here may result in permanent damage to the device.

Note 2: V_{CC2} is restricted to +3.6 V when operated at T_A = 125 °C.

CAUTION: Although this device is designed to be as robust as possible, Electrostatic Discharge (ESD) can damage this device. This device must be protected at all times from ESD. Static charges may easily produce potentials of several kilovolts on the human body or equipment, which can discharge without detection. Industry-standard ESD precautions should be used at all times.

Table 3. Recommended Operating Conditions

Parameter	Symbol	Minimum	Typical	Maximum	Units
Supply voltage for balun bias	VB_IN, VB_OUT	1.6		3.6	V
Supply voltage on VCC pins	VCC1, VCC2	2.0	3.0	3.6	V
Operating temperature	T _A	-40	+25	+125	°C

Electrical and Mechanical Specifications

The absolute maximum ratings of the SE2432L are provided in Table 2. The recommended operating conditions are specified in Table 3 and electrical specifications are provided in Tables 4 through 8.

The state of the SE2432L is determined by the logic provided in Table 6.

Table 4. SE2432L Electrical Specifications (Note 1)
(VCC1 = VCC2 = 3.0 V, TA = +25 °C, Unless Otherwise Noted)

Parameter	Symbol	Test Condition	Min	Typical	Max	Units
DC Characteristics						
Total supply current	I _{CC_TX}	Transmit mode, CPS = CSD = CTX = 3.0 V: P _{OUT} = +20 dBm P _{OUT} = +17 dBm P _{OUT} = +10 dBm		110 90 45		mA mA mA
Total supply current	I _{CC_RX}	Receive mode, CPS = CSD = 3.0 V, CTX = 0 V		5	7	mA
Total supply current	I _{CC_RX_BYPASS}	Receive bypass mode, CSD = 3.0 V, CPS = CTX = 0 V			300	μA
Sleep supply current	I _{CC_OFF}	No RF, CTX = CPS = CSD = 0 V		0.05	1.00	μA
Quiescent current	I _Q	No RF, CPS = CSD = CTX = 3.0 V		30		mA
Logic Characteristics						
Control voltage: High Low	V _{IH} V _{IL}		1.6 0		3.6 0.3	V V
Control current: High Low	I _{IH} I _{IL}				1 1	μA μA
Dual Antenna Switch Characteristics						
Isolation between ANT1 and ANT2 ports	ISOL _{ANTSW}			-20		dB
ANT1 to ANT2 switching time	t _{ANT1_ANT2}			400		ns

Note 1: Performance is guaranteed only under the conditions listed in this Table.

Table 5. SE2432L Electrical Specifications (1 of 2) (Note 1)

(VB_IN = VB_OUT = 1.6 to 3.6 V, VCC1 = VCC2 = 3.0 V, TA = +25 °C, All Unused Ports Terminated With 50 Ω, Unless Otherwise Noted)

Parameter	Symbol	Test Condition	Min	Typical	Max	Units
AC Transmit Characteristics						
Frequency range	f		2400		2483	MHz
Output power at ANT1 or ANT2 port	P _{OUT}	@ 2400 to 2483 MHz, OEVM = 1% typical, VCC1 = VCC2 =: 3.6 V 3.3 V 3.0 V 2.7 V 2.0 V		+24.0 +22.5 +21.0 +20.5 +17.0		dBm dBm dBm dBm dBm
Small signal gain, high power mode	S ₂₁	@ 2400 to 2483 MHz	20	22	24	dB
Small signal gain variation	ΔS ₂₁	@ 2400 to 2483 MHz, across all ZigBee channels			2	dBp-p
2 nd and 3 rd harmonics	2f _o , 3f _o	@ 2400 to 2483 MHz, P _{OUT} = +20 dBm, IEEE 802.15.4 source			-42	dBm/MHz
Output return loss	S ₂₂	@ 2400 to 2483 MHz, ANT1 or ANT2 port		-10	-5	dB
Transmit port impedance	Z _{IN}			200		Ω
Turn-on time	t _{RISE}	From 50% of CTX edge to 90% of final RF output power			800	ns
Turn-off time	t _{FALL}	From 50% of CTX edge to 10% of final RF output power			800	ns
Stability	Stab	CW, Pin = 0 dBm, 0.1 GHz to 20 GHz, load VSWR = 6:1	All non-harmonically related outputs < -42 dBm/MHz			-
Ruggedness	RU	CW, Pin = +6 dBm, load VSWR = 10:1	No permanent damage			-
AC Receive Characteristics						
Frequency range	f		2400		2483	MHz
Receive gain	RX_GAIN	@ 2400 to 2483 MHz, CPS = CSD = logic "1," CTX = logic "0"	10.0	11.5	13.0	dB
Receive Noise Figure	NF	@ 2400 to 2483 MHz, CPS = CSD = logic "1," CTX = logic "0"		2.0	2.5	dB
3 rd Order Input Intercept Point	IIP3	@ 2400 to 2483 MHz, CPS = CSD = logic "1," CTX = logic "0"	-3	+2		dBm

Table 5. SE2432L Electrical Specifications: (2 of 2) (Note 1)
(VB_IN = VB_OUT = 1.6 to 3.6 V, VCC1 = VCC2 = 3.0 V, TA = +25 °C, All Unused Ports Terminated With 50 Ω, Unless Otherwise Noted)

Parameter	Symbol	Test Condition	Min	Typical	Max	Units
AC Receive Characteristics (continued)						
1 dB Input Compression Point	IP1dB	@ 2400 to 2483 MHz, CPS = CSD = logic "1," CTX = logic "0"	-13	-8		dBm
1 dB Input Compression Point in bypass mode	IP1dB	CPS = CTX = logic "0," CSD = logic "1"	+10			dBm
Input return loss	S11	@ 2400 to 2483 MHz, ANT1 or ANT2 ports		-10	-5	dBm
Receive port impedance	Z _{OUT}	Measured differentially between RXP and RXN		200		Ω
Turn-on time	t _{RISE}	From 50% of CTX edge to 90% of final RF output power			800	ns
Turn-off time	t _{FALL}	From 50% of CTX edge to 10% of final RF output power			800	ns
Gain in bypass mode	G _{BP}	CPW = CTX = logic "0," CSD = logic "1"		-3		dB

Note 1: Performance is guaranteed only under the conditions listed in this Table.

Table 6. SE2432L Mode Control Logic (Note 1)
(VCC1 = VCC2 = 3.0 V, TA = +25 °C)

Mode	Description	CPS (Pin 21)	CSD (Pin 20)	CTX (Pin 24)
0	All off (sleep mode) (Note 2)	0	0	0
1	Receive bypass mode	0	1	0
2	Receive LNA mode	1	1	0
4	Transmit mode	X	1	1

Note 1: "0" = 0 V. "1" = +3.0 V. "X" = don't care (must be either 0 V or Vcc voltage). Any state other than described in this Table places the switch into an undefined state. An undefined state will not damage the device.

Note 2: All controls must be at logic "0" to achieve the specified sleep current.

Table 7. SE2432L Antenna Enable Logic
(VCC1 = VCC2 = 3.0 V, TA = +25 °C)

Description	CPS (Pin 21)	CSD (Pin 20)	CTX (Pin 24)	ANT_SEL (Pin 16)
ANT1 port enabled	X	X	X	0
ANT2 port enabled	X	X	X	1

Note: "0" = 0 V. "1" = +3.0 V. "X" = don't care. Any state other than described in this Table places the switch into an undefined state. An undefined state will not damage the device.

Evaluation Board Description

The SE2432L Evaluation Board is used to test the performance of the SE2432L FEM. The board is optimized for evaluation, experimentation, and investigation with an 802.15.4 signal source. The design and layout can be quickly and easily transferred into a production design.

An Evaluation Board schematic diagram is provided in Figure 3. A reference design schematic is provided in Figure 4. Table 8 describes the pins on the power and control I/O header (J27). Table 9 provides the Bill of Materials (BOM) list for Evaluation Board components. A photograph of the Evaluation Board is shown in Figure 5.

Evaluation Board Setup Procedure

1. Connect J21, J23, J25, and J26 to 50 Ω instruments. Terminate all unused ports (if applicable) with 50 Ω .
2. Connect the supply ground to pins 19 and 20 of J27.
3. Connect 3.0 V to pins 15 and 16 of J27.
4. Connect 1.8 V to pins 7 and 8 of J36.
5. Connect 3.0 V to pins 3 and 4 of J27.

NOTE: By following the logic in Table 6, the required RF path is selected. Refer to Tables 7 and 8 for antenna port control.

6. Monitor the 2.5 GHz amplifier transmit performance by applying an RF signal to J25 and monitoring the output power on J26 (ANT1) or J23 (ANT2).

CAUTION: Care should be taken not to overdrive the amplifier by applying too much RF on the input to the device. A suitable starting input power would be -20 dBm.

7. Monitor the 2.5 GHz amplifier receive performance by applying an RF signal to J26 (ANT1) or J23 (ANT2) and monitoring the output signal on J25.

Package Dimensions

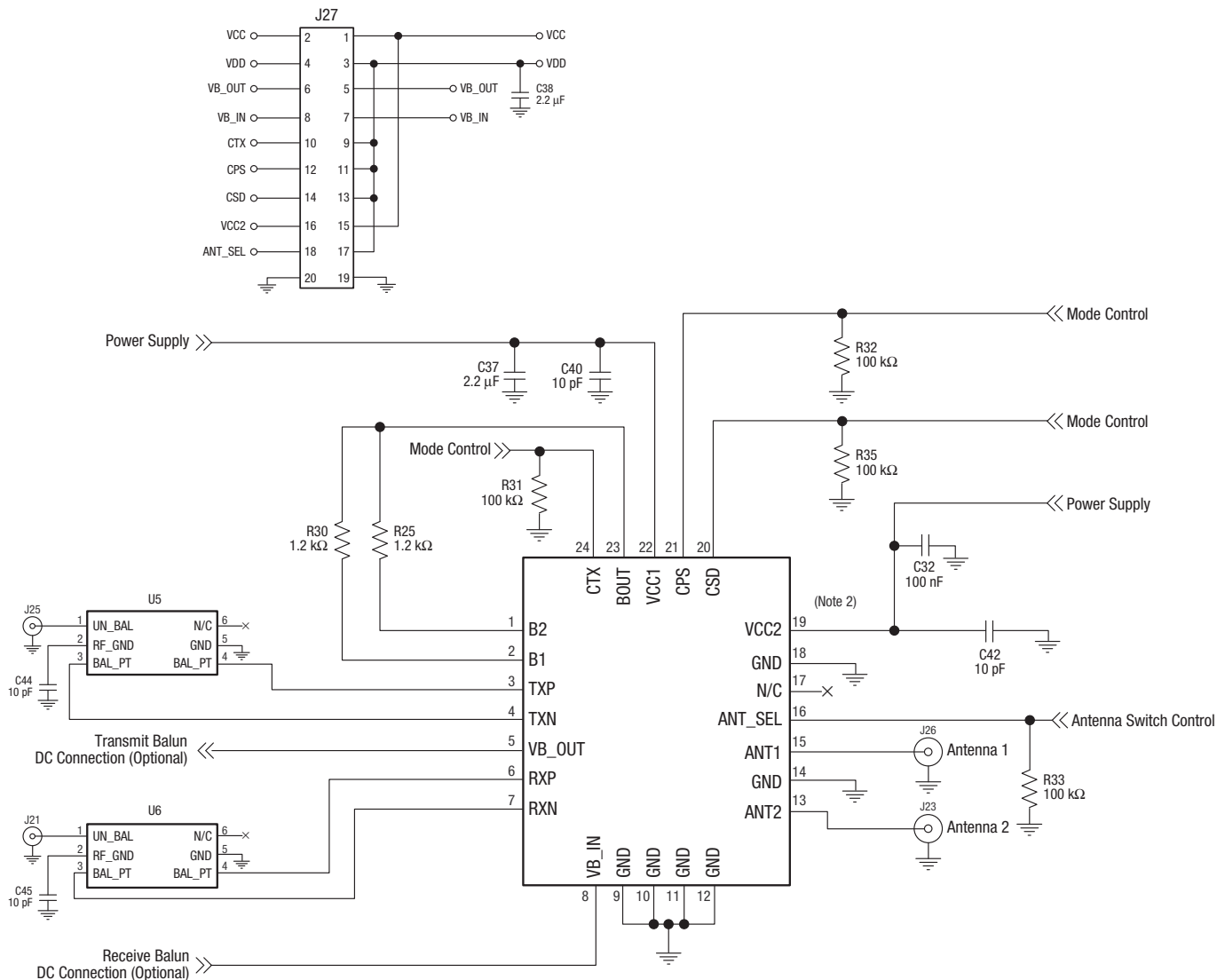
The PCB layout footprint for the SE2432L is provided in Figure 6. Typical case markings are shown in Figure 7. Package dimensions for the 24-pin QFN are shown in Figure 8, and tape and reel dimensions are provided in Figure 9.

Package and Handling Information

Instructions on the shipping container label regarding exposure to moisture after the container seal is broken must be followed. Otherwise, problems related to moisture absorption may occur when the part is subjected to high temperature during solder assembly.

The SE2432L is rated to Moisture Sensitivity Level 1 (MSL1) at 260 °C. It can be used for lead or lead-free soldering. For additional information, refer to the Skyworks Application Note, *Solder Reflow Information*, document number 200164.

Care must be taken when attaching this product, whether it is done manually or in a production solder reflow environment. Production quantities of this product are shipped in a standard tape and reel format.



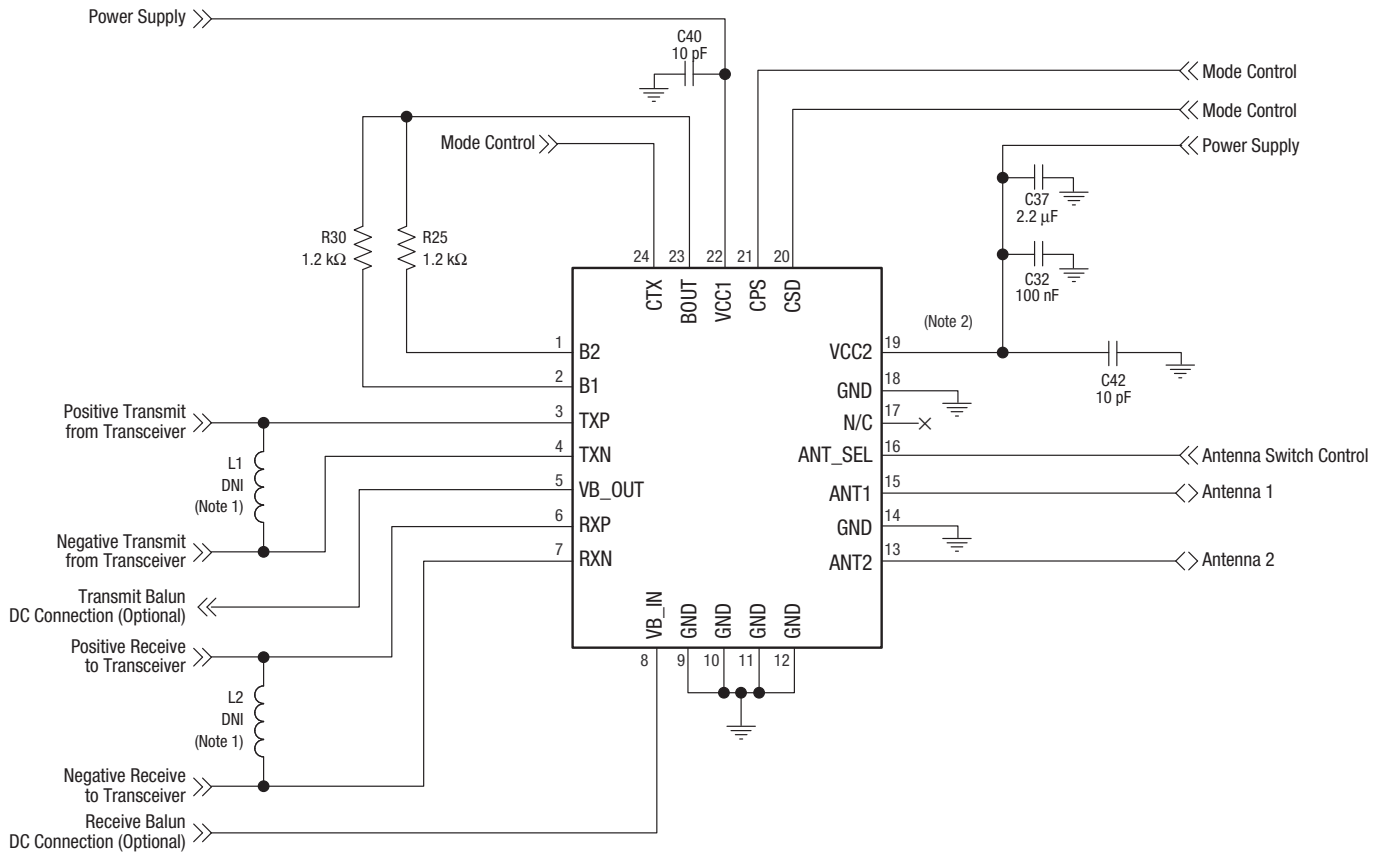
Notes:

1. The following components are for evaluation purposes only and can be removed in the final application: C38, C44, C45, C46, J27, R31, R32, R33, R35, U5, and U6.
2. L19 is made of a trace between the VCC2 pin and the C42/C32 capacitors.
3. PCB Recommendations:

Metal Layer 1 = RF traces + control lines. Core thickness between top RF layer and ground plane is critical.
 Metal Layer 2 = Solid ground plane. No traces routing.
 Metal Layer 3 and 4 = Control lines + VCC traces (no VCC plane).
 Pore copper on each layer connected to the ground plane. Use VCC traces in a star distribution pattern.
 Always use 4 layers.

S2723

Figure 3. SE2432L Evaluation Board Schematic



Notes:

1. Optional component: use to fine-tune match and provide DC path on both sides of the differential line.
2. L19 is made of a trace between the VCC2 pin and the C42/C32 capacitors.

S2722

Figure 4. SE2432L Reference Design Schematic

Table 8. Power and Analog I/O Header: J27, 10x2

Pin	Pin Name	Description	Recommended Setting
1, 2, 15	VCC	Supply voltage	General purpose VCC provided as the main power supply
3, 4, 9, 11, 12,13,17	VDD	Digital supply voltage	Connect to separate power supply voltage
5, 6	VB_OUT	Bias output	–
7, 8	VB_IN	Supply voltage	Optional DC connection for transceiver
16	VCC2	Supply voltage	General purpose VCC provided as the main power supply
10	CTX	Control	See Tables 6 and 7
12	CPS	Control	
14	CSD	Control	
18	ANT_SEL	Control	
19, 20	GND	Ground	General purpose ground

Table 9. SE2432L Evaluation Board Bill of Materials (BOM) (Note 1)

Component	Value	Size	Manufacturer	Mfr Part Number	Characteristics
C32	100 nF	0402	Murata	GRM155R71C104KA88D	Monolithic ceramic
C37, C38	2.2 μF	0805	Murata	GRM21BR71A225KA01L	Ceramic capacitor, 2.2 UF, 10V, 10%, X7R 0805
C40, C42, C44, C45	10 pF	0402	Murata	GRM1555C1H100JZ01	Multilayer ceramic
J21, J23, J25, J26	SMA	End launch	Johnson Components	142-0701-851	SMA end launch straight jack receptacle – tab contact
J27	10X2	100MIL	Samtec	TSW-110-07-G-D	100 mil header
R25, R30	1.2 kΩ	0402	Panasonic	ERJ2GEJ122	Thick film chip resistor
R31, R32, R33, R35	100 kΩ	0402	Panasonic	ERJ2GEJ104	Thick film chip resistor
U3	–	3 x 4 mm QFN	Skyworks Solutions, Inc.	SE2432L	2.4 GHz ZigBee FEM with differential transmit/receive
U5, U6	–	2 x 1.25 mm	TDK	HHM1521	Multilayer 2.4 GHz chip baluns

Note 1: Schematic and BOM have been designed to optimize performance in 802.11a/n applications.

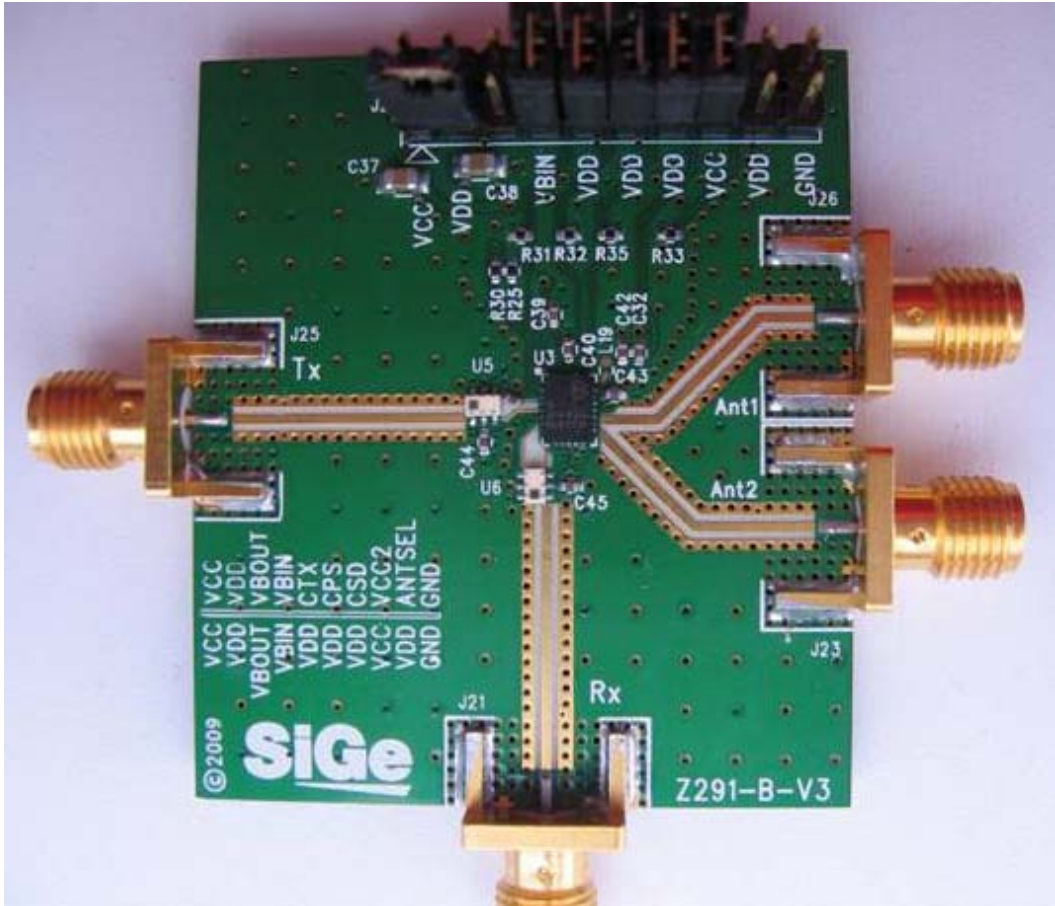
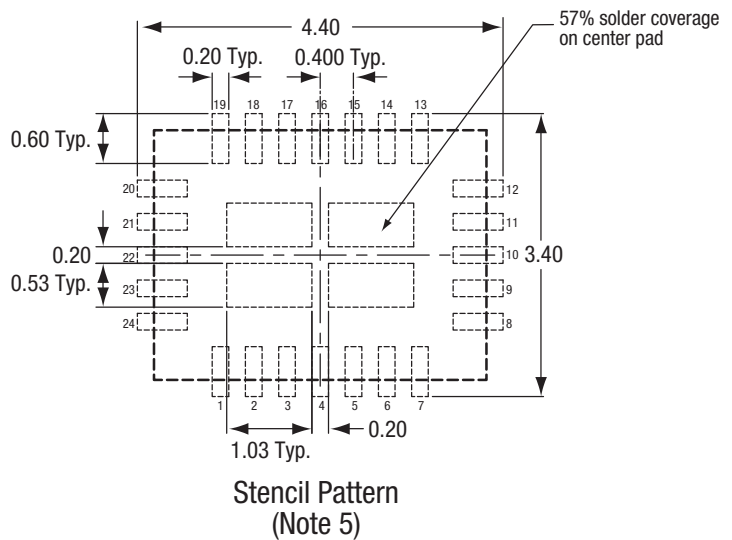
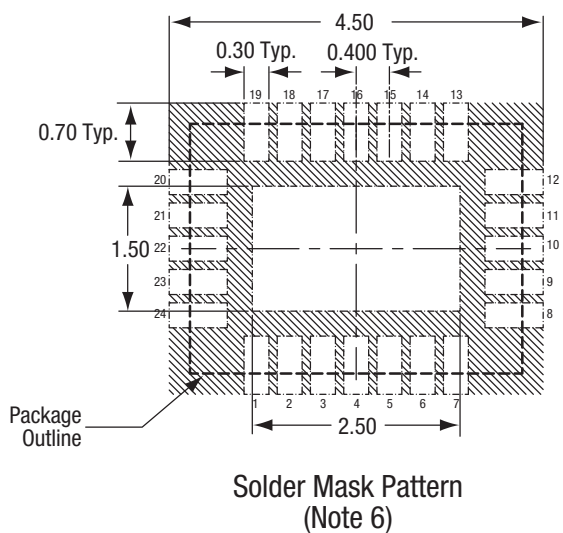
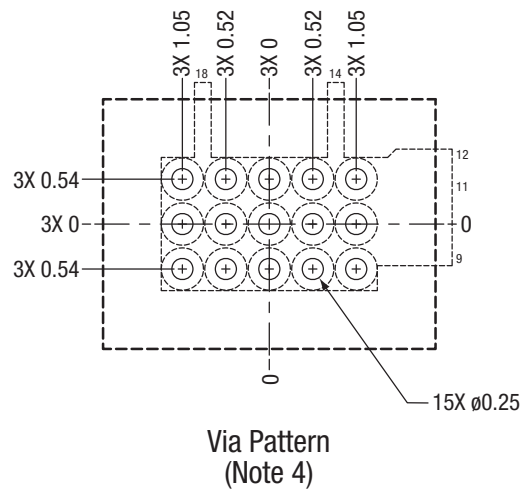
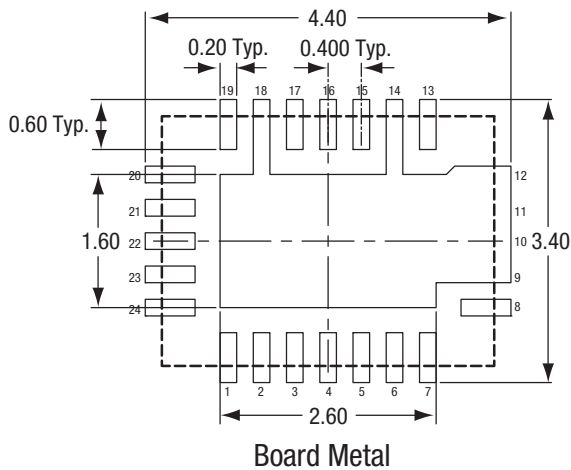


Figure 5. SE2432L Evaluation Board



Notes:

1. All dimensions are in millimeters
2. Dimensioning and tolerancing according to ASME Y14.5M-1994
3. Unless specified, dimensions are symmetrical about center lines.
4. Via hole recommendations: 0.025 mm Cu via wall plating (minimum), soldermask on the far side should tent or plug via holes.
5. Stencil recommendations: 0.10 mm stencil thickness, laser cut apertures, trapezoidal walls and rounded corners offer better paste release.
6. Solder mask recommendations: contact board fabricator for recommended solder mask offset and tolerance.

S2663

Figure 6. PCB Layout Footprint

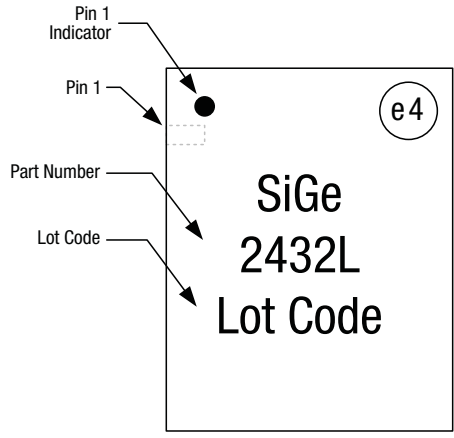
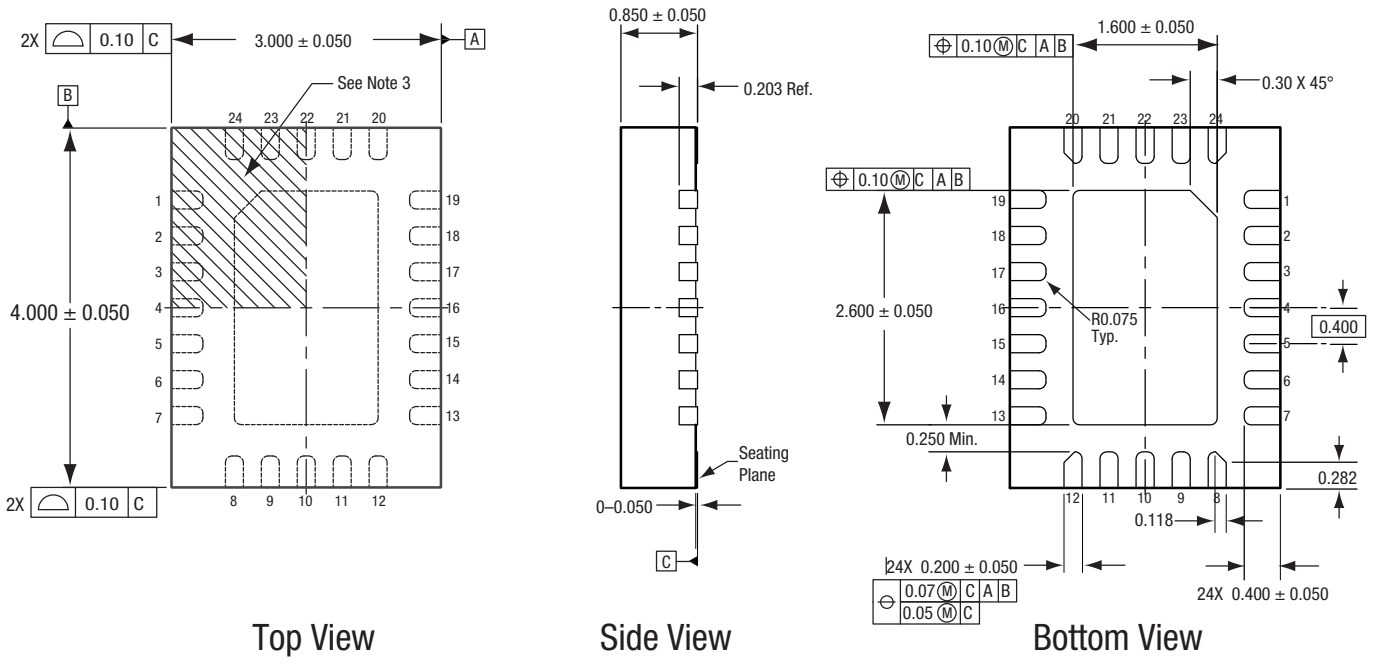


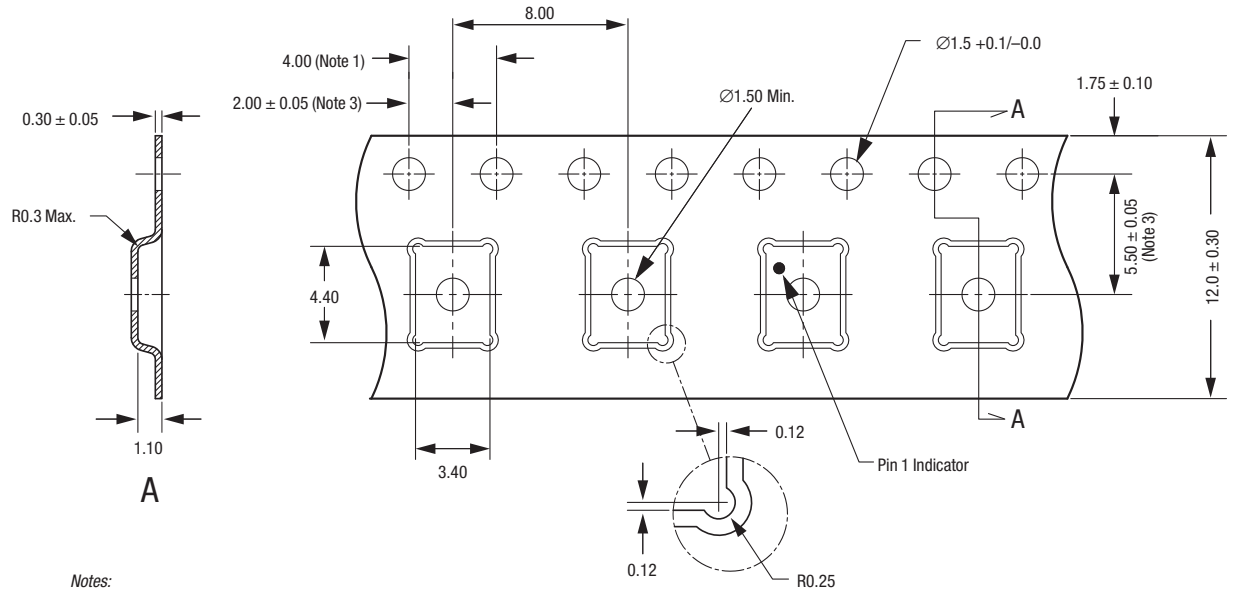
Figure 7. Typical Case Markings



- Notes:
1. All measurements are in millimeters.
 2. Dimensions and tolerances according to ASME Y14.5M-1994.
Unless otherwise specified, the following values apply:
Decimal Tolerance: Angular Tolerance:
X.X (1 place) ± 0.1 mm ±1°
X.XX (2 places) ± 0.05 mm
X.XXX (3 places) ± 0.025 mm
 3. Terminal #1 identification mark located within marked area.
 4. Unless specified, dimensions are symmetrical about center lines.

Y0675

Figure 8. SE2432L 24-Pin QFN Package Dimensions



S2742

Figure 9. SE2432L Tape and Reel Dimensions

Ordering Information

Model Name	Manufacturing Part Number	Evaluation Board Part Number
SE2432L ZigBee/Smart Energy FEM	SE2432L-R	SE2432L-EK1

Copyright © 2011, 2013-2014 Skyworks Solutions, Inc. All Rights Reserved.

Information in this document is provided in connection with Skyworks Solutions, Inc. ("Skyworks") products or services. These materials, including the information contained herein, are provided by Skyworks as a service to its customers and may be used for informational purposes only by the customer. Skyworks assumes no responsibility for errors or omissions in these materials or the information contained herein. Skyworks may change its documentation, products, services, specifications or product descriptions at any time, without notice. Skyworks makes no commitment to update the materials or information and shall have no responsibility whatsoever for conflicts, incompatibilities, or other difficulties arising from any future changes.

No license, whether express, implied, by estoppel or otherwise, is granted to any intellectual property rights by this document. Skyworks assumes no liability for any materials, products or information provided hereunder, including the sale, distribution, reproduction or use of Skyworks products, information or materials, except as may be provided in Skyworks Terms and Conditions of Sale.

THE MATERIALS, PRODUCTS AND INFORMATION ARE PROVIDED "AS IS" WITHOUT WARRANTY OF ANY KIND, WHETHER EXPRESS, IMPLIED, STATUTORY, OR OTHERWISE, INCLUDING FITNESS FOR A PARTICULAR PURPOSE OR USE, MERCHANTABILITY, PERFORMANCE, QUALITY OR NON-INFRINGEMENT OF ANY INTELLECTUAL PROPERTY RIGHT; ALL SUCH WARRANTIES ARE HEREBY EXPRESSLY DISCLAIMED. SKYWORKS DOES NOT WARRANT THE ACCURACY OR COMPLETENESS OF THE INFORMATION, TEXT, GRAPHICS OR OTHER ITEMS CONTAINED WITHIN THESE MATERIALS. SKYWORKS SHALL NOT BE LIABLE FOR ANY DAMAGES, INCLUDING BUT NOT LIMITED TO ANY SPECIAL, INDIRECT, INCIDENTAL, STATUTORY, OR CONSEQUENTIAL DAMAGES, INCLUDING WITHOUT LIMITATION, LOST REVENUES OR LOST PROFITS THAT MAY RESULT FROM THE USE OF THE MATERIALS OR INFORMATION, WHETHER OR NOT THE RECIPIENT OF MATERIALS HAS BEEN ADVISED OF THE POSSIBILITY OF SUCH DAMAGE.

Skyworks products are not intended for use in medical, lifesaving or life-sustaining applications, or other equipment in which the failure of the Skyworks products could lead to personal injury, death, physical or environmental damage. Skyworks customers using or selling Skyworks products for use in such applications do so at their own risk and agree to fully indemnify Skyworks for any damages resulting from such improper use or sale.

Customers are responsible for their products and applications using Skyworks products, which may deviate from published specifications as a result of design defects, errors, or operation of products outside of published parameters or design specifications. Customers should include design and operating safeguards to minimize these and other risks. Skyworks assumes no liability for applications assistance, customer product design, or damage to any equipment resulting from the use of Skyworks products outside of stated published specifications or parameters.

Skyworks, the Skyworks symbol, and "Breakthrough Simplicity" are trademarks or registered trademarks of Skyworks Solutions, Inc., in the United States and other countries. Third-party brands and names are for identification purposes only, and are the property of their respective owners. Additional information, including relevant terms and conditions, posted at www.skyworksinc.com, are incorporated by reference.