



**THE DATASHEET OF
A1101EUA-T**



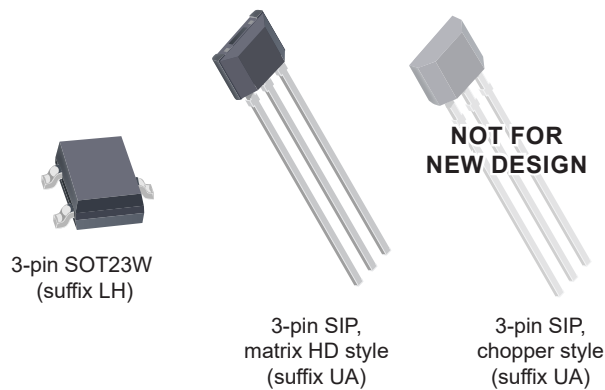
Continuous-Time Switch Family

FEATURES AND BENEFITS

- AEC-Q100 automotive qualified
- Continuous-time operation
 - Fast power-on time
 - Low noise
- Stable operation over full operating temperature range
- Reverse battery protection
- Solid-state reliability
- Factory-programmed at end-of-line for optimum performance
- Robust EMC performance
- High ESD rating
- Regulator stability without a bypass capacitor

PACKAGES:

Not to scale

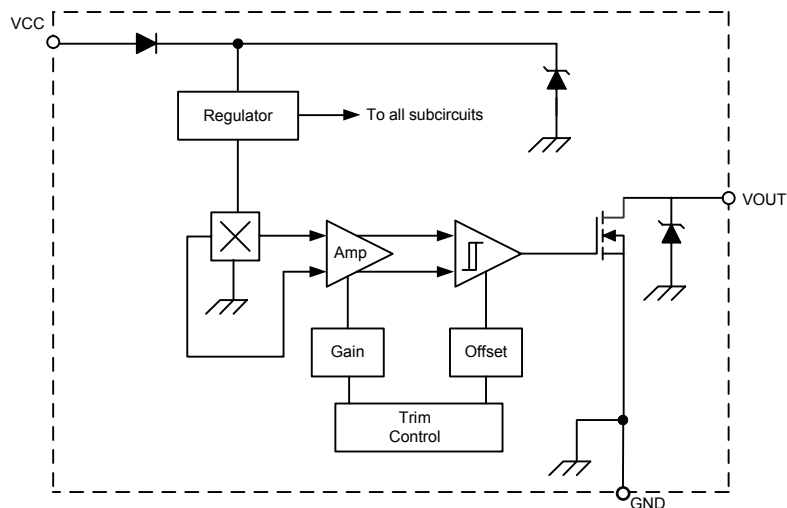


DESCRIPTION

The Allegro™ A1101-A1104 and A1106 Hall-effect switches are next generation replacements for the popular Allegro 312x and 314x lines of unipolar switches. The A110x family, produced with BiCMOS technology, consists of devices that feature fast power-on time and low-noise operation. Device programming is performed after packaging, to ensure increased switchpoint accuracy by eliminating offsets that can be induced by package stress. Unique Hall element geometries and low-offset amplifiers help to minimize noise and to reduce the residual offset voltage normally caused by device overmolding, temperature excursions, and thermal stress.

The A1101-A1104 and A1106 Hall-effect switches include the following on a single silicon chip: voltage regulator, Hall-voltage generator, small-signal amplifier, Schmitt trigger, and NMOS output transistor. The integrated voltage regulator permits operation from 3.8 to 24 V. The extensive on-board protection circuitry makes possible a ± 30 V absolute maximum voltage rating for superior protection in automotive and industrial motor commutation applications, without adding external components. All devices in the family are identical except for magnetic switchpoint levels.

The small geometries of the BiCMOS process allow these devices to be provided in ultrasmall packages. The package styles available provide magnetically optimized solutions for most applications. Package LH is an SOT23W, a miniature low-profile surface-mount package, while package UA is a three-lead ultramini SIP for through-hole mounting. Each package is lead (Pb) free, with 100% matte-tin-plated leadframes.



Functional Block Diagram

SPECIFICATIONS

SELECTION GUIDE

| Part Number | Packing [1] | Mounting | Ambient, T _A | B _{RP} (Min) | B _{OP} (Max) |
|----------------|--------------------------------|----------------------------|-------------------------|-----------------------|-----------------------|
| A1101ELHLT-T | 7-in. reel, 3000 pieces/reel | 3-pin SOT23W surface mount | -40°C to 85°C | 10 | 175 |
| A1101ELHLX-T | 13-in. reel, 10000 pieces/reel | 3-pin SOT23W surface mount | | | |
| A1101EUA-T [2] | Bulk, 500 pieces/bag | 3-pin SIP through hole | | | |
| A1101LLHLT-T | 7-in. reel, 3000 pieces/reel | 3-pin SOT23W surface mount | -40°C to 150°C | | |
| A1101LLHLX-T | 13-in. reel, 10000 pieces/reel | 3-pin SOT23W surface mount | | | |
| A1101LUA-T [2] | Bulk, 500 pieces/bag | 3-pin SIP through hole | | | |
| A1102ELHLT-T | 7-in. reel, 3000 pieces/reel | 3-pin SOT23W surface mount | -40°C to 85°C | 60 | 245 |
| A1102ELHLX-T | 13-in. reel, 10000 pieces/reel | 3-pin SOT23W surface mount | | | |
| A1102EUA-T [2] | Bulk, 500 pieces/bag | 3-pin SIP through hole | | | |
| A1102LLHLT-T | 7-in. reel, 3000 pieces/reel | 3-pin SOT23W surface mount | -40°C to 150°C | | |
| A1102LLHLX-T | 13-in. reel, 10000 pieces/reel | 3-pin SOT23W surface mount | | | |
| A1102LUA-T [2] | Bulk, 500 pieces/bag | 3-pin SIP through hole | | | |
| A1103ELHLT-T | 7-in. reel, 3000 pieces/reel | 3-pin SOT23W surface mount | -40°C to 85°C | 150 | 355 |
| A1103ELHLX-T | 13-in. reel, 10000 pieces/reel | 3-pin SOT23W surface mount | | | |
| A1103LLHLT-T | 7-in. reel, 3000 pieces/reel | 3-pin SOT23W surface mount | | | |
| A1103LLHLX-T | 13-in. reel, 10000 pieces/reel | 3-pin SOT23W surface mount | | | |
| A1103LUA-T [2] | Bulk, 500 pieces/bag | 3-pin SIP through hole | | | |
| A1104EUA-T [2] | Bulk, 500 pieces/bag | 3-pin SIP through hole | -40°C to 85°C | | |
| A1104LLHLT-T | 7-in. reel, 3000 pieces/reel | 3-pin SOT23W surface mount | -40°C to 150°C | | |
| A1104LLHLX-T | 13-in. reel, 10000 pieces/reel | 3-pin SOT23W surface mount | | | |
| A1104LUA-T [2] | Bulk, 500 pieces/bag | 3-pin SIP through hole | -40°C to 85°C | 160 | 430 |
| A1106EUA-T | Bulk, 500 pieces/bag | 3-pin SIP through hole | -40°C to 150°C | | |
| A1106LLHLT-T | 7-in. reel, 3000 pieces/reel | 3-pin SOT23W surface mount | | | |
| A1106LLHLX-T | 13-in. reel, 10000 pieces/reel | 3-pin SOT23W surface mount | -40°C to 150°C | | |
| A1106LUA-T | Bulk, 500 pieces/bag | 3-pin SIP through hole | | | |



¹ Contact Allegro for additional packing options.

² The chopper-style UA package is not for new design; the matrix HD style UA package is recommended for new designs.

ABSOLUTE MAXIMUM RATINGS

| Characteristic | Symbol | Notes | Rating | Units |
|-------------------------------|----------------------|---------|------------|-------|
| Supply Voltage | V _{CC} | | 30 | V |
| Reverse Supply Voltage | V _{RCC} | | -30 | V |
| Output Off Voltage | V _{OUT} | | 30 | V |
| Reverse Output Voltage | V _{ROUT} | | -0.5 | V |
| Output Current | I _{OUTSINK} | | 25 | mA |
| Magnetic Flux Density | B | | Unlimited | G |
| Operating Ambient Temperature | T _A | Range E | -40 to 85 | °C |
| | | Range L | -40 to 150 | °C |
| Maximum Junction Temperature | T _{J(max)} | | 165 | °C |
| Storage Temperature | T _{stg} | | -65 to 170 | °C |

ELECTRICAL OPERATING CHARACTERISTICS over full operating voltage and ambient temperature ranges,
unless otherwise noted

| Characteristic | Symbol | Test Conditions | Min. | Typ. | Max. | Units |
|----------------------------|----------------|---|------|------|------|---------------|
| Supply Voltage [1] | V_{CC} | Operating, $T_J < 165^\circ\text{C}$ | 3.8 | – | 24 | V |
| Output Leakage Current | I_{OUTOFF} | $V_{OUT} = 24\text{ V}$, $B < B_{RP}$ | – | – | 10 | μA |
| Output On Voltage | $V_{OUT(SAT)}$ | $I_{OUT} = 20\text{ mA}$, $B > B_{OP}$ | – | 215 | 400 | mV |
| Power-On Time [2] | t_{PO} | Slew rate (dV_{CC}/dt) $< 2.5\text{ V}/\mu\text{s}$, $B > B_{OP} + 5\text{ G}$ or $B < B_{RP}$ $- 5\text{ G}$ | – | – | 4 | μs |
| Output Rise Time [3] | t_r | $V_{CC} = 12\text{ V}$, $R_{LOAD} = 820\ \Omega$, $C_S = 12\text{ pF}$ | – | – | 400 | ns |
| Output Fall Time [3] | t_f | $V_{CC} = 12\text{ V}$, $R_{LOAD} = 820\ \Omega$, $C_S = 12\text{ pF}$ | – | – | 400 | ns |
| Supply Current | I_{CCON} | $B > B_{OP}$ | – | 4.1 | 7.5 | mA |
| | I_{CCOFF} | $B < B_{RP}$ | – | 3.8 | 7.5 | mA |
| Reverse Battery Current | I_{RCC} | $V_{RCC} = -30\text{ V}$ | – | – | -10 | mA |
| Supply Zener Clamp Voltage | V_Z | $I_{CC} = 10.5\text{ mA}$; $T_A = 25^\circ\text{C}$ | 32 | – | – | V |
| Supply Zener Current [4] | I_Z | $V_Z = 32\text{ V}$; $T_A = 25^\circ\text{C}$ | – | – | 10.5 | mA |

¹ Maximum voltage must be adjusted for power dissipation and junction temperature, see *Power Derating* section.

² For V_{CC} slew rates greater than $250\text{ V}/\mu\text{s}$, and $T_A = 150^\circ\text{C}$, the Power-On Time can reach its maximum value.

³ C_S = oscilloscope probe capacitance.

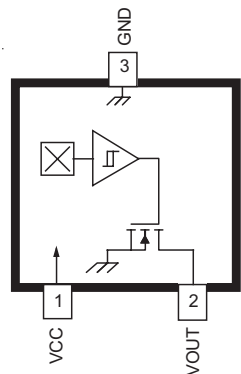
⁴ Maximum current limit is equal to the maximum $I_{CC(max)} + 3\text{ mA}$.

DEVICE QUALIFICATION PROGRAM

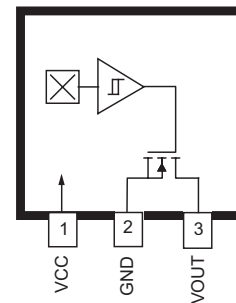
Contact Allegro for information.

EMC (ELECTROMAGNETIC COMPATABILITY) REQUIREMENTS

Contact Allegro for information.



Package LH



Package UA, 3-pin SIP

Terminal List

| Number | | Name | Description |
|------------|------------|------|-------------------------------|
| Package LH | Package UA | | |
| 1 | 1 | VCC | Connects power supply to chip |
| 2 | 3 | VOUT | Output from circuit |
| 3 | 2 | GND | Ground |

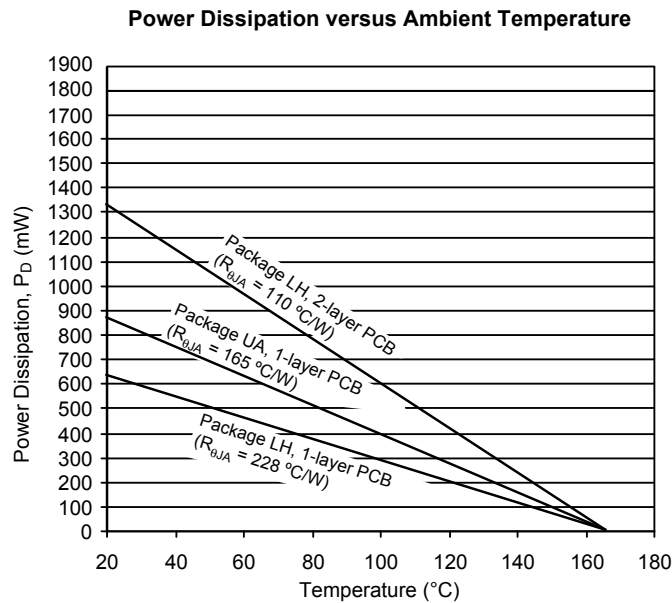
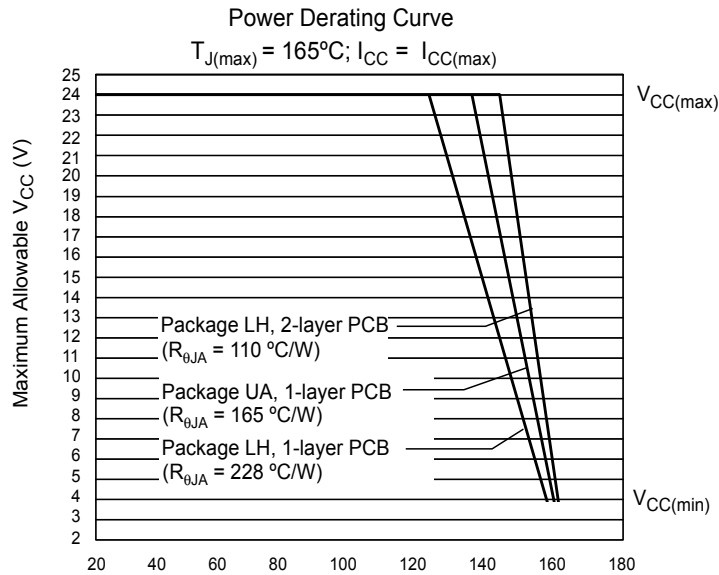
MAGNETIC OPERATING CHARACTERISTICS [1]: over full operating voltage and ambient temperature ranges, unless otherwise noted

| Characteristic | Symbol | Test Conditions | | Min. | Typ. | Max. | Units | | |
|----------------|-----------------------------|-----------------|-----------------------------|-------|-----------------------------|------|-------|-----|---|
| Operate Point | B _{OP} | A1101 | T _A = 25°C | 50 | 100 | 160 | G | | |
| | | | Operating Temperature Range | 30 | 100 | 175 | G | | |
| | | A1102 | T _A = 25°C | 130 | 180 | 230 | G | | |
| | | | Operating Temperature Range | 115 | 180 | 245 | G | | |
| | | A1103 | T _A = 25°C | 220 | 280 | 340 | G | | |
| | | | Operating Temperature Range | 205 | 280 | 355 | G | | |
| | | A1104 | T _A = 25°C | 70 | – | 350 | G | | |
| | | | Operating Temperature Range | 35 | – | 450 | G | | |
| | | A1106 | T _A = 25°C | 280 | 340 | 400 | G | | |
| | | | Operating Temperature Range | 260 | 340 | 430 | G | | |
| | | Release Point | B _{RP} | A1101 | T _A = 25°C | 10 | 45 | 130 | G |
| | | | | | Operating Temperature Range | 10 | 45 | 145 | G |
| A1102 | T _A = 25°C | | | 75 | 125 | 175 | G | | |
| | Operating Temperature Range | | | 60 | 125 | 190 | G | | |
| A1103 | T _A = 25°C | | | 165 | 225 | 285 | G | | |
| | Operating Temperature Range | | | 150 | 225 | 300 | G | | |
| A1104 | T _A = 25°C | | | 50 | – | 330 | G | | |
| | Operating Temperature Range | | | 25 | – | 430 | G | | |
| A1106 | T _A = 25°C | | | 180 | 240 | 300 | G | | |
| | Operating Temperature Range | | | 160 | 240 | 330 | G | | |
| Hysteresis | B _{HYS} | | | A1101 | T _A = 25°C | 20 | 55 | 80 | G |
| | | | | | Operating Temperature Range | 20 | 55 | 80 | G |
| | | A1102 | T _A = 25°C | 30 | 55 | 80 | G | | |
| | | | Operating Temperature Range | 30 | 55 | 80 | G | | |
| | | A1103 | T _A = 25°C | 30 | 55 | 80 | G | | |
| | | | Operating Temperature Range | 30 | 55 | 80 | G | | |
| | | A1104 | T _A = 25°C | 20 | 55 | – | G | | |
| | | | Operating Temperature Range | 20 | 55 | – | G | | |
| | | A1106 | T _A = 25°C | 70 | 105 | 140 | G | | |
| | | | Operating Temperature Range | 70 | 105 | 140 | G | | |

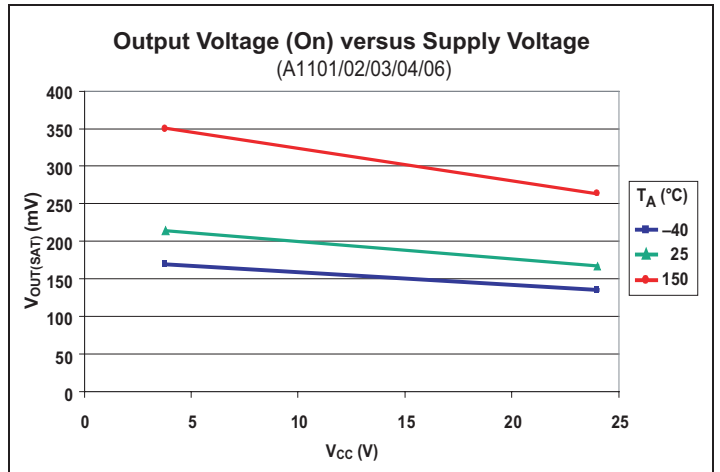
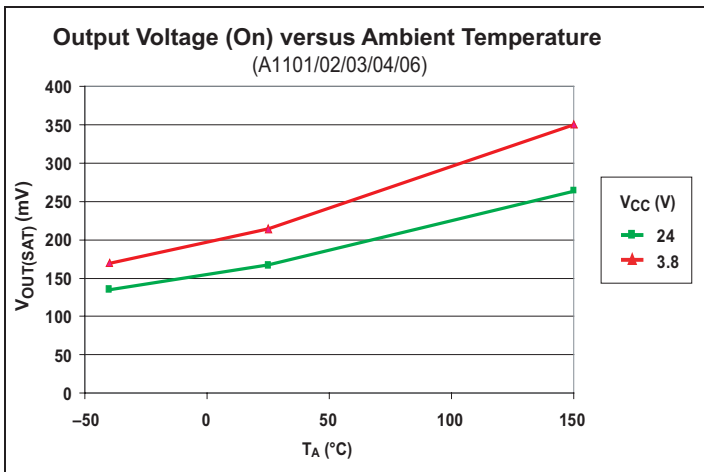
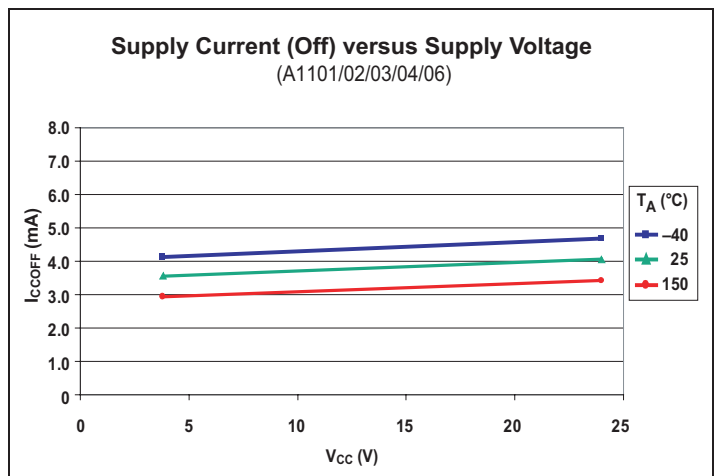
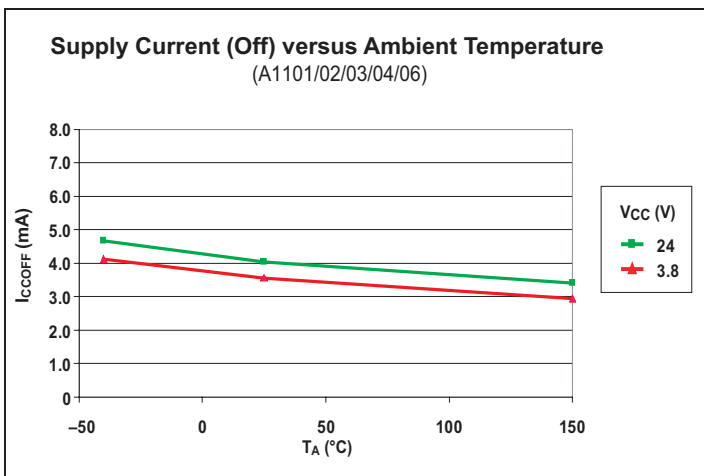
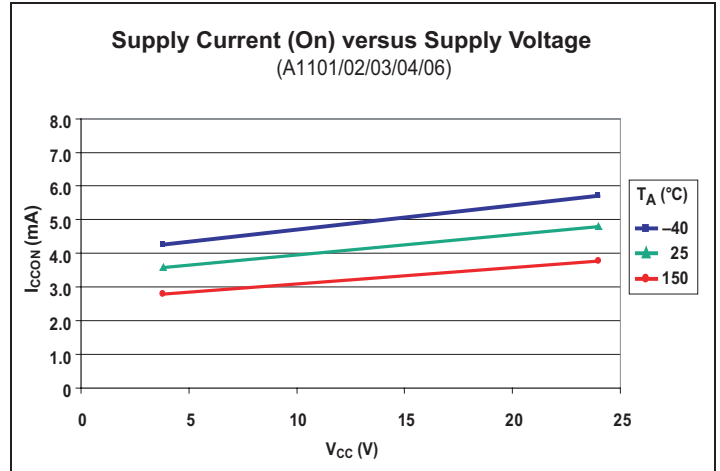
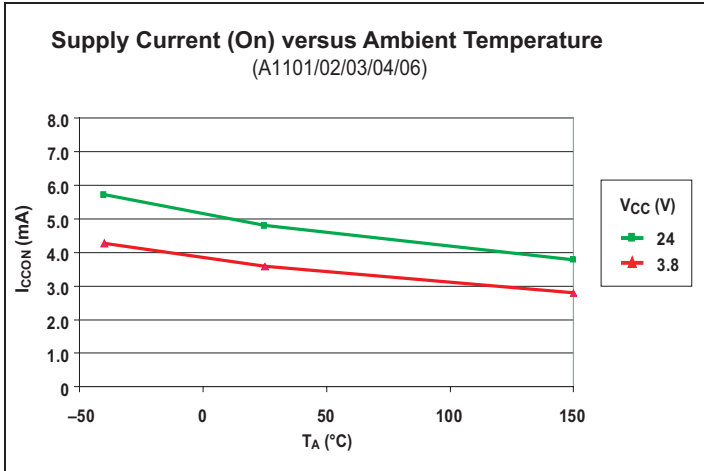
¹ Magnetic flux density, B, is indicated as a negative value for north-polarity magnetic fields, and as a positive value for south-polarity magnetic fields. This so-called algebraic convention supports arithmetic comparison of north and south polarity values, where the relative strength of the field is indicated by the absolute value of B, and the sign indicates the polarity of the field (for example, a –100 G field and a 100 G field have equivalent strength, but opposite polarity).

THERMAL CHARACTERISTICS: May require derating at maximum conditions; see application information

| Characteristic | Symbol | Test Conditions | Value | Units |
|----------------------------|-----------------|---|-------|-----------------------------|
| Package Thermal Resistance | $R_{\theta JA}$ | Package LH, 1-layer PCB with copper limited to solder pads | 228 | $^{\circ}\text{C}/\text{W}$ |
| | | Package LH, 2-layer PCB with 0.463 in ² of copper area each side connected by thermal vias | 110 | $^{\circ}\text{C}/\text{W}$ |
| | | Package UA, 1-layer PCB with copper limited to solder pads | 165 | $^{\circ}\text{C}/\text{W}$ |



CHARACTERISTIC DATA



FUNCTIONAL DESCRIPTION

OPERATION

The output of these devices switches low (turns on) when a magnetic field (south polarity) perpendicular to the Hall element exceeds the operate point threshold, B_{OP} . After turn-on, the output is capable of sinking 25 mA and the output voltage is $V_{OUT(SAT)}$. When the magnetic field is reduced below the release point, B_{RP} , the device output goes high (turns off). The difference in the magnetic operate and release points is the hysteresis, B_{HYS} , of the device. This built-in hysteresis allows clean switching of the output, even in the presence of external mechanical vibration and electrical noise.

Powering-on the device in the hysteresis region, less than B_{OP} and higher than B_{RP} , allows an indeterminate output state. The correct state is attained after the first excursion beyond B_{OP} or B_{RP} .

CONTINUOUS-TIME BENEFITS

Continuous-time devices, such as the A110x family, offer the fastest available power-on settling time and frequency response. Due to offsets generated during the IC packaging process, continuous-

time devices typically require programming after packaging to tighten magnetic parameter distributions. In contrast, chopper-stabilized switches employ an offset cancellation technique on the chip that eliminates these offsets without the need for after-packaging programming. The tradeoff is a longer settling time and reduced frequency response as a result of the chopper-stabilization offset cancellation algorithm.

The choice between continuous-time and chopper-stabilized designs is solely determined by the application. Battery management is an example where continuous-time is often required. In these applications, V_{CC} is chopped with a very small duty cycle in order to conserve power (refer to figure 2). The duty cycle is controlled by the power-on time, t_{PO} , of the device. Because continuous-time devices have the shorter power-on time, they are the clear choice for such applications.

For more information on the chopper stabilization technique, refer to Technical Paper STP 97-10, *Monolithic Magnetic Hall Sensing Using Dynamic Quadrature Offset Cancellation* and Technical Paper STP 99-1, *Chopper-Stabilized Amplifiers with a Track-and-Hold Signal Demodulator*.

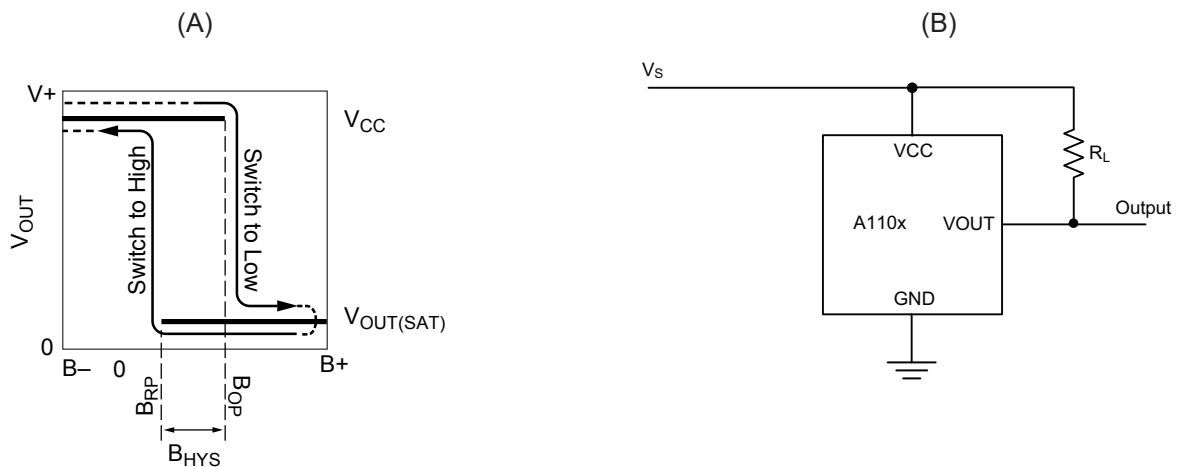


Figure 1: Switching Behavior of Unipolar Switches

On the horizontal axis, the B+ direction indicates increasing south polarity magnetic field strength, and the B- direction indicates decreasing south polarity field strength (including the case of increasing north polarity). This behavior can be exhibited when using a circuit such as that shown in Panel B.

ADDITIONAL APPLICATIONS INFORMATION

Extensive applications information for Hall-effect devices is available in:

- *Hall-Effect IC Applications Guide*, Application Note 27701
- *Hall-Effect Devices: Guidelines for Designing Subassemblies Using Hall-Effect Devices*, Application Note 27703.1
- *Soldering Methods for Allegro's Products – SMT and Through-Hole*, Application Note 26009

All are provided in *Allegro Electronic Data Book*, AMS-702, and the Allegro Web site, www.allegromicro.com.

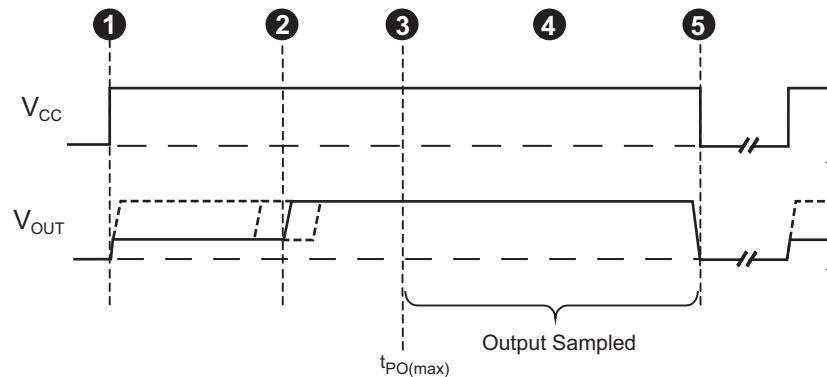


Figure 2: Continuous-Time Application, $B < B_{RP}$

This figure illustrates the use of a quick cycle for chopping V_{CC} in order to conserve battery power. Position 1, power is applied to the device. Position 2, the output assumes the correct state at a time prior to the maximum Power-On Time, $t_{PO(max)}$. The case shown is where the correct output state is HIGH. Position 3, $t_{PO(max)}$ has elapsed. The device output is valid. Position 4, after the output is valid, a control unit reads the output. Position 5, power is removed from the device.

POWER DERATING

Power Derating

The device must be operated below the maximum junction temperature of the device, $T_{J(max)}$. Under certain combinations of peak conditions, reliable operation may require derating supplied power or improving the heat dissipation properties of the application. This section presents a procedure for correlating factors affecting operating T_J . (Thermal data is also available on the Allegro MicroSystems website.)

The Package Thermal Resistance, $R_{\theta JA}$, is a figure of merit summarizing the ability of the application and the device to dissipate heat from the junction (die), through all paths to the ambient air. Its primary component is the Effective Thermal Conductivity, K , of the printed circuit board, including adjacent devices and traces. Radiation from the die through the device case, $R_{\theta JC}$, is relatively small component of $R_{\theta JA}$. Ambient air temperature, T_A , and air motion are significant external factors, damped by overmolding.

The effect of varying power levels (Power Dissipation, P_D), can be estimated. The following formulas represent the fundamental relationships used to estimate T_J , at P_D .

$$P_D = V_{IN} \times I_{IN} \quad (1)$$

$$\Delta T = P_D \times R_{\theta JA} \quad (2)$$

$$T_J = T_A + \Delta T \quad (3)$$

For example, given common conditions such as: $T_A = 25^\circ\text{C}$, $V_{CC} = 12\text{ V}$, $I_{CC} = 4\text{ mA}$, and $R_{\theta JA} = 140^\circ\text{C/W}$, then:

$$P_D = V_{CC} \times I_{CC} = 12\text{ V} \times 4\text{ mA} = 48\text{ mW}$$

$$\Delta T = P_D \times R_{\theta JA} = 48\text{ mW} \times 140^\circ\text{C/W} = 7^\circ\text{C}$$

$$T_J = T_A + \Delta T = 25^\circ\text{C} + 7^\circ\text{C} = 32^\circ\text{C}$$

A worst-case estimate, $P_{D(max)}$, represents the maximum allowable power level ($V_{CC(max)}$, $I_{CC(max)}$), without exceeding $T_{J(max)}$, at a selected $R_{\theta JA}$ and T_A .

Example: Reliability for V_{CC} at $T_A = 150^\circ\text{C}$, package UA, using minimum-K PCB.

Observe the worst-case ratings for the device, specifically: $R_{\theta JA} = 165^\circ\text{C/W}$, $T_{J(max)} = 165^\circ\text{C}$, $V_{CC(max)} = 24\text{ V}$, and $I_{CC(max)} = 7.5\text{ mA}$.

Calculate the maximum allowable power level, $P_{D(max)}$. First, invert equation 3:

$$\Delta T_{max} = T_{J(max)} - T_A = 165^\circ\text{C} - 150^\circ\text{C} = 15^\circ\text{C}$$

This provides the allowable increase to T_J resulting from internal power dissipation. Then, invert equation 2:

$$P_{D(max)} = \Delta T_{max} \div R_{\theta JA} = 15^\circ\text{C} \div 165^\circ\text{C/W} = 91\text{ mW}$$

Finally, invert equation 1 with respect to voltage:

$$V_{CC(est)} = P_{D(max)} \div I_{CC(max)} = 91\text{ mW} \div 7.5\text{ mA} = 12.1\text{ V}$$

The result indicates that, at T_A , the application and device can dissipate adequate amounts of heat at voltages $\leq V_{CC(est)}$.

Compare $V_{CC(est)}$ to $V_{CC(max)}$. If $V_{CC(est)} \leq V_{CC(max)}$, then reliable operation between $V_{CC(est)}$ and $V_{CC(max)}$ requires enhanced $R_{\theta JA}$. If $V_{CC(est)} \geq V_{CC(max)}$, then operation between $V_{CC(est)}$ and $V_{CC(max)}$ is reliable under these conditions.

CUSTOMER PACKAGE DRAWING

For Reference Only – Not for Tooling Use

(Reference DWG-2840)
Dimensions in millimeters – NOT TO SCALE
Dimensions exclusive of mold flash, gate burrs, and dambar protrusions
Exact case and lead configuration at supplier discretion within limits shown

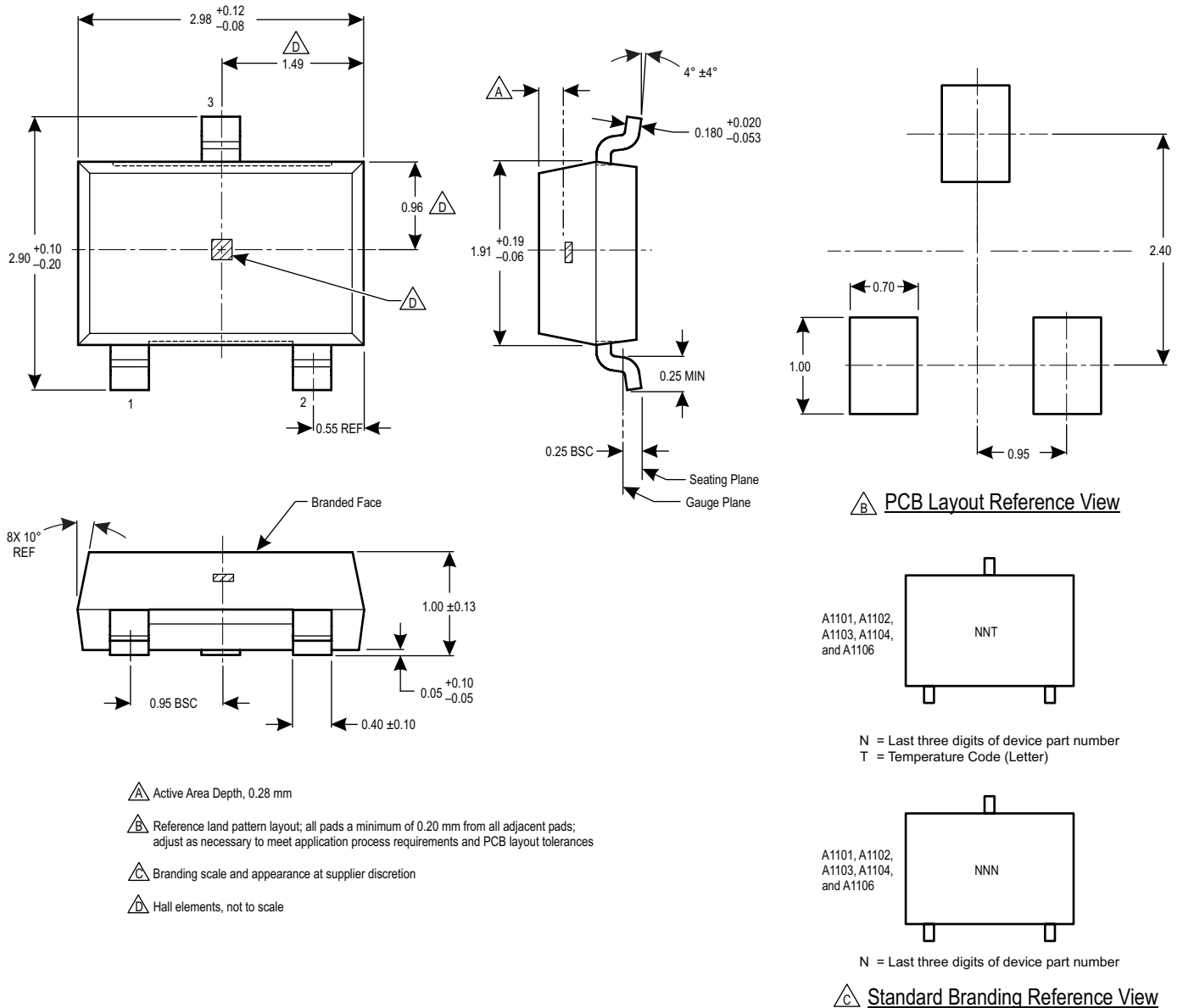


Figure 3: Package LH, 3-Pin (SOT-23W)

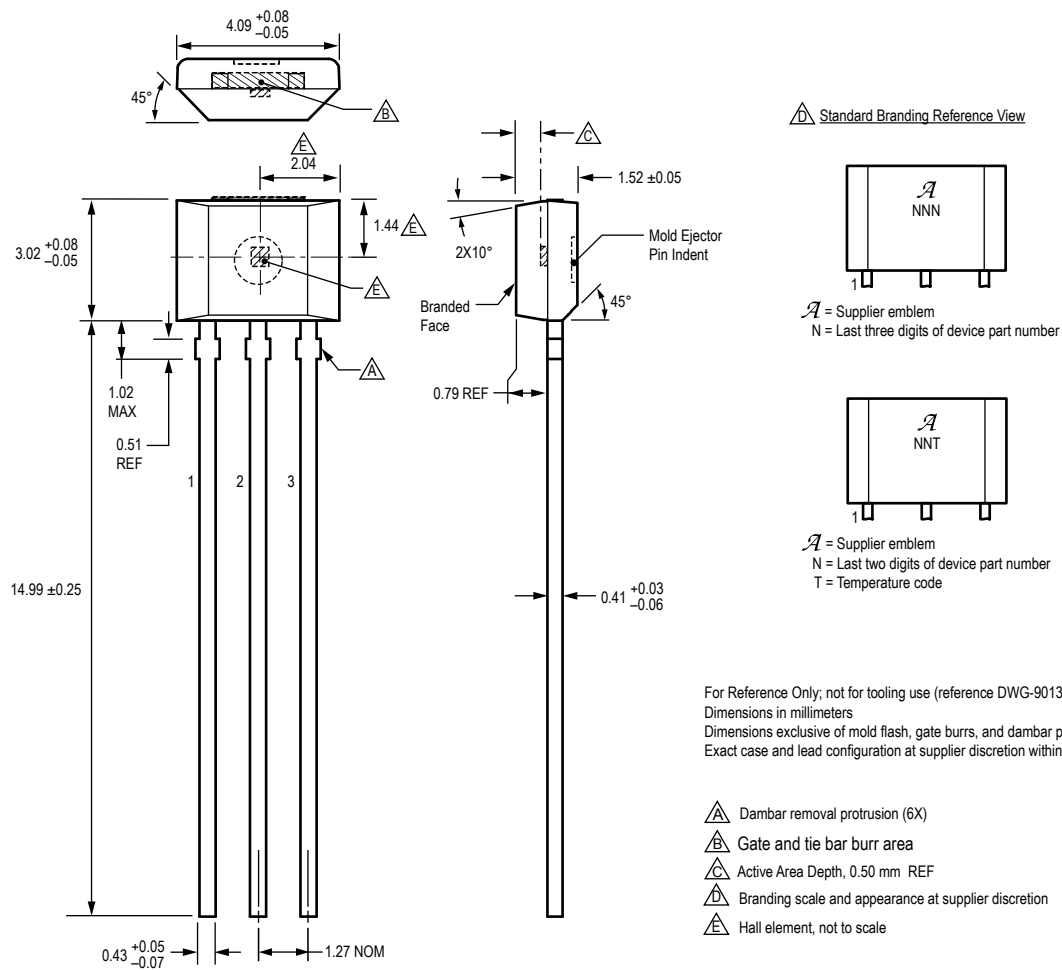


Figure 4: Package UA, 3-Pin SIP, Matrix Style

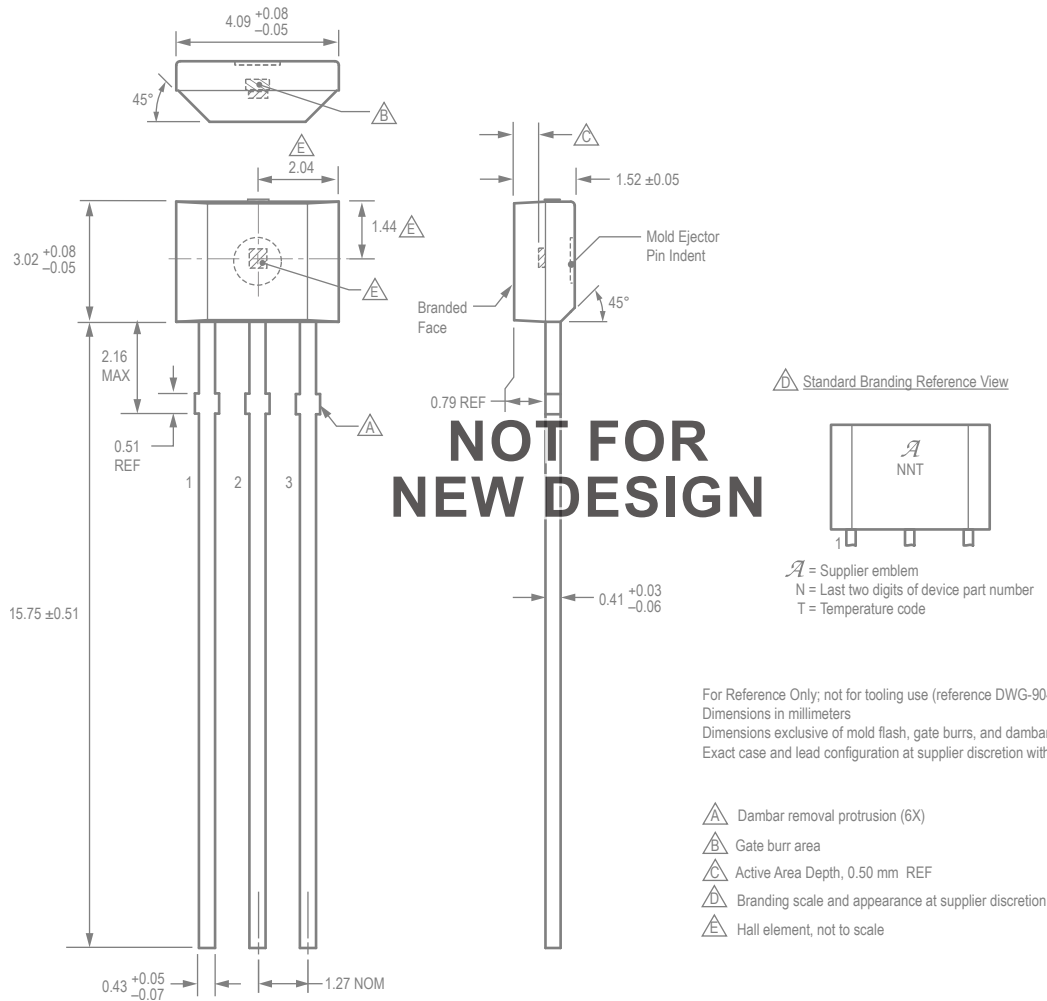


Figure 5: Package UA, 3-Pin SIP, Chopper Style

Revision History

| Number | Date | Description |
|--------|--------------------|--|
| 14 | May 29, 2012 | Add A1106 UA package drawing |
| 15 | January 1, 2015 | Added the LX option to Selection Guide |
| 16 | September 30, 2015 | Corrected LH package Active Area Depth value and LH package branding; added AEC-Q100 qualification under Features and Benefits |
| 17 | October 27, 2016 | Chopper-style UA package designated as not for new design |

Copyright ©2018, Allegro MicroSystems, LLC

Allegro MicroSystems, LLC reserves the right to make, from time to time, such departures from the detail specifications as may be required to permit improvements in the performance, reliability, or manufacturability of its products. Before placing an order, the user is cautioned to verify that the information being relied upon is current.

Allegro's products are not to be used in any devices or systems, including but not limited to life support devices or systems, in which a failure of Allegro's product can reasonably be expected to cause bodily harm.

The information included herein is believed to be accurate and reliable. However, Allegro MicroSystems, LLC assumes no responsibility for its use; nor for any infringement of patents or other rights of third parties which may result from its use.

Copies of this document are considered uncontrolled documents.

For the latest version of this document, visit our website:

www.allegromicro.com