

WIN*SOURCE*
ELECTRONICS

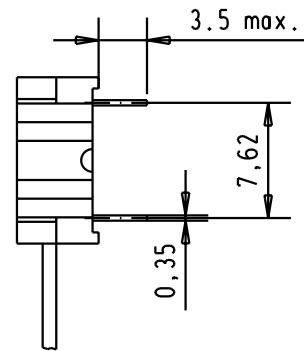
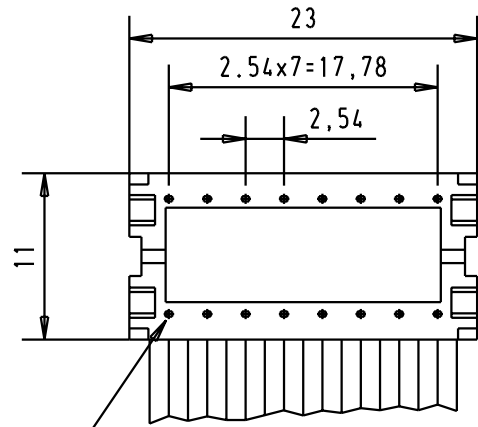
THE DATASHEET OF

9170169622

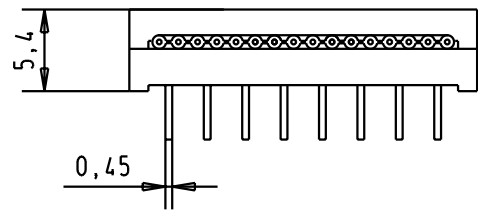
win-source.net



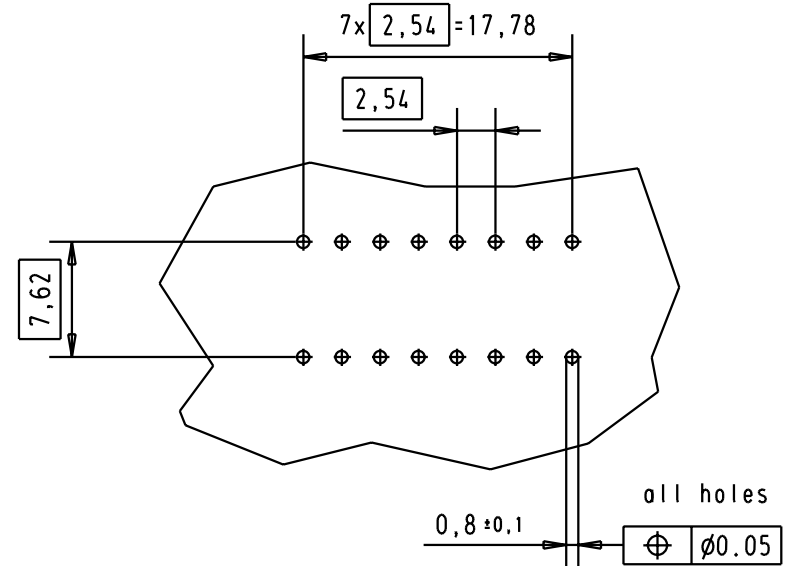
0086-755-83957316





1. Leiter / 1st wire / 1er cable



Printed board layout



				Dat.	Name	 All Dim. in mm Orig. Size DIN A 4	SEK 17 DIP connector 16 poles, for IC base or for soldering into P.C. boards Tinned contact	Maßstab/ Scale 2:1
			Detail.	25-APR-02	CV			
			Insp.					
			Stand.					
29778	25-APR-02	CV	HARTING EURL F-95972 Paris				TB 09170169622	Blatt/ Page 1
Mod.	Dat.	Name						