



THE DATASHEET OF

206429-1

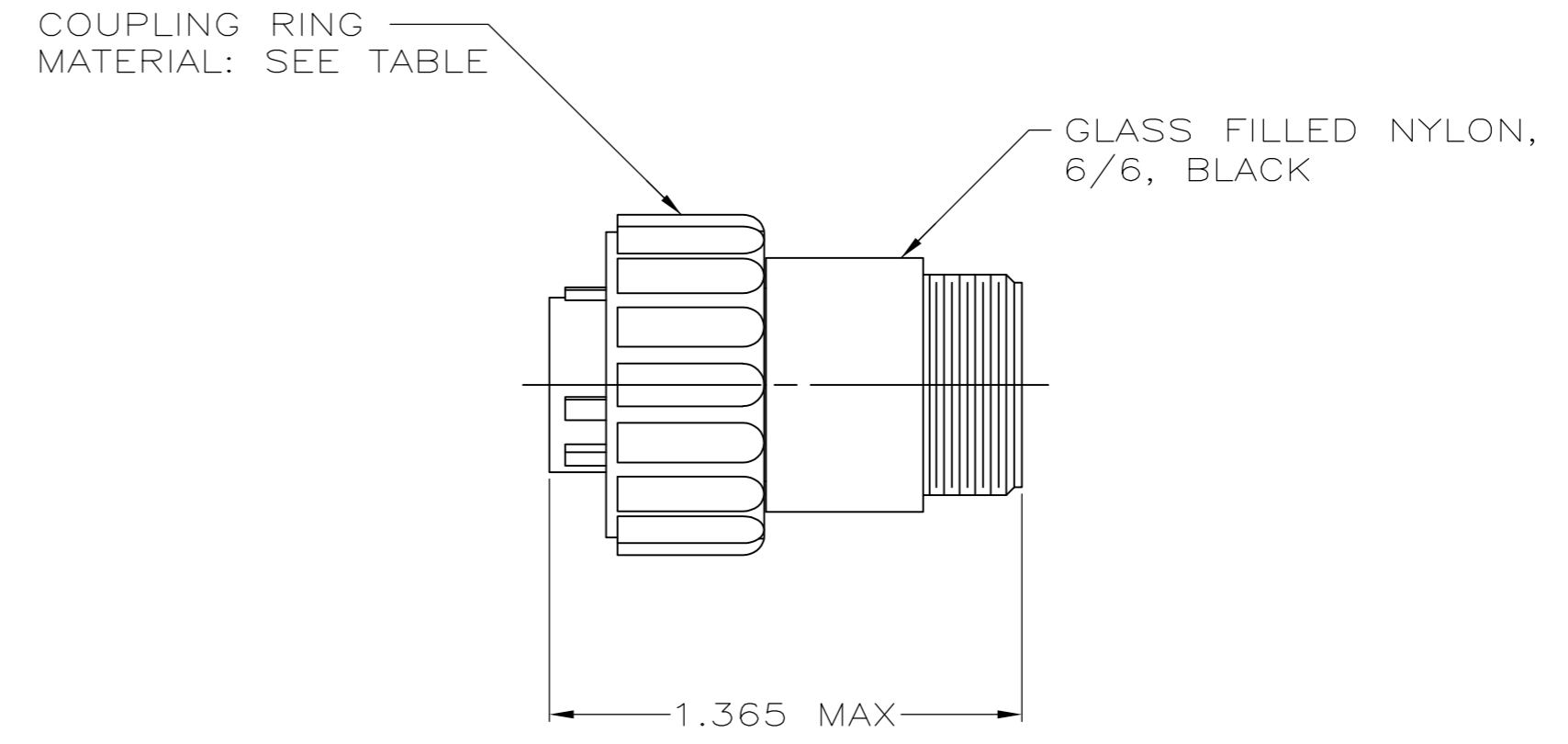
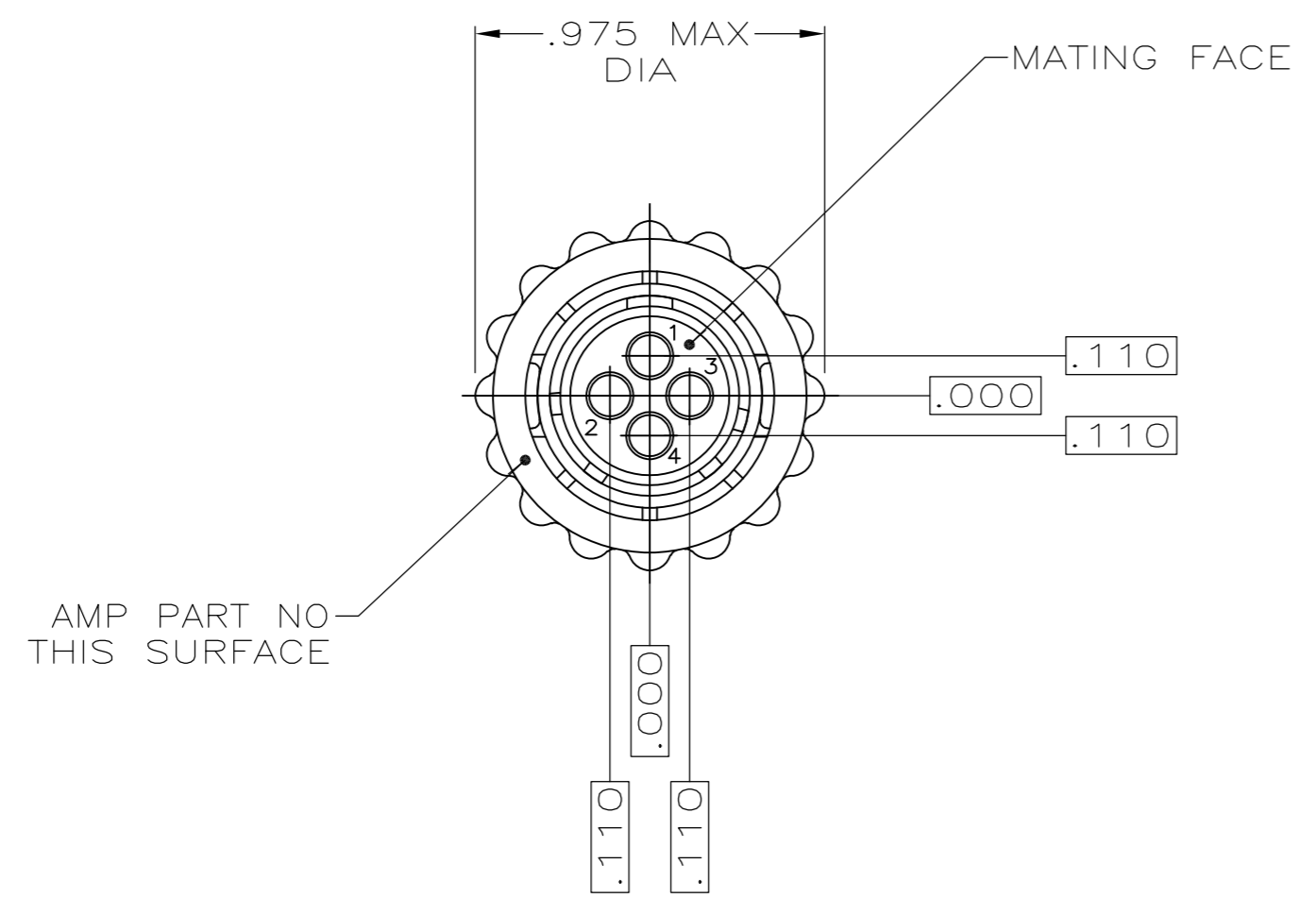
win-source.net



0086-755-83957316

THIS DRAWING IS UNPUBLISHED. RELEASED FOR PUBLICATION
 © COPYRIGHT - By - ALL RIGHTS RESERVED.

LOC		DIST		REVISIONS			
P	LTR	DESCRIPTION		DATE	DWN	APVD	
		D3		REVISED PER ECO-11-004587	11MAR11	RK HMR	



1. CONTACT CAVITIES IDENTIFIED BY CHARACTERS ON FRONT AND REAR FACES OF CONNECTOR.
 2. THIS CONNECTOR WILL ACCEPT FOUR (4) MULTIMATE PIN CONTACTS.
- 3** OBSOLETE PARTS: OBSOLETE CIS STREAMLINING PER D.RENAUD/D.SINISI

3 OBSOLETE	DIE CAST ZINC	206429-2
	POLYESTER, BLACK	206429-1
	COUPLING RING MATERIAL	PART NUMBER

THIS DRAWING IS A CONTROLLED DOCUMENT.		DWN	S.RIDGLEY	BG	8/2/90	TE TE Connectivity	
DIMENSIONS: INCHES		CHK	R.STONE		04/26/91		
TOLERANCES UNLESS OTHERWISE SPECIFIED:		APVD		-		NAME	
0 PLC ± -		PRODUCT SPEC		-		PLUG ASSEMBLY, SHELL	
1 PLC ± -		APPLICATION SPEC		-		SIZE 11, REVERSE SEX,	
2 PLC ± -		WEIGHT		-		SERIES 1, CPC	
3 PLC ± -		SCALE		2:1		SHEET 1 of 1	
4 PLC ± -		CUSTOMER DRAWING		A2 00779 C=206429		REV D3	
ANGLES ± -		FINISH		-		RESTRICTED TO	
MATERIAL		-		-		-	