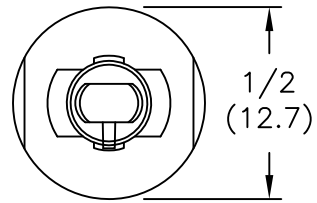




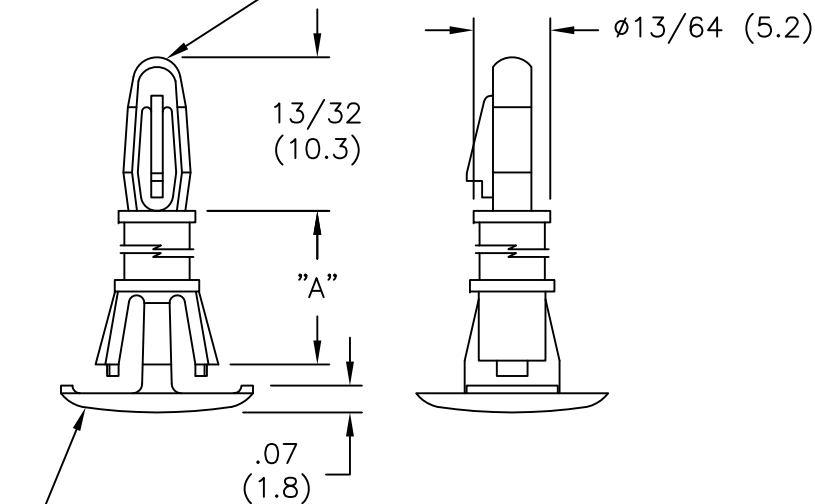
**THE DATASHEET OF  
RLCBSR1-10-01**



PART #	DIM. "A" ±.015(0.4)
RLCBSR1-4-01	1/4 (6.4)
RLCBSR1-6-01	3/8 (9.5)
RLCBSR1-8-01	1/2 (12.7)
RLCBSR1-10-01	5/8 (15.9)



TO SNAP-LOCK IN A .156(4.00)  
±.003(0.08) DIA. HOLE, IN A  
.062(1.57) THICK BOARD/PANEL.



TO SNAP-LOCK IN A .250±.003  
(6.35±0.08) DIA. HOLE, IN  
A .059 TO .065 (1.50 TO 1.65)  
THICK PANEL/BOARD

NOTES:

- MATERIAL: NYLON 6/6 (RMS-01).  
FLAME RETARDANT NYLON (RMS-19),  
AVAILABLE BY SPECIAL ORDER.
- COLOR: NATURAL.

TITLE: REVERSE LOCK CKT. BD. SUPPORT, STYLE #1		DWG IN IN(MM)		FINAL			
TOLERANCES UNLESS NOTED .XX=±.010 .XXX=±.015 FRAC=1/64 ANG=1°	FILE # RLCBSR1	DWN: J.B./R.T.	APP:	PART #		PRINT TYPE	
	MAT'L: SEE NOTES	DT: 11-17-95	DT:	SEE TABLE		CA	
	RE: RICHCO INC.	RICHCO INC. PO BOX 804238, CHICAGO, 60680 (773) 539-4060					

REV	DESCRIPTION	ENGR DATE
D	ADDED ø13/64 (5.2), CO 200708	SK 09.14.11
C	SEE ECN #539 FOR CHANGES	SM 12.10.02
B	CHANGED FILE NUMBER	SM 05.03.01
A	MAT'L RMS-19 ADDED	J.L. 12.29.97