



**THE DATASHEET OF**  
**82862205**



### 0.5 Nm RPT5 3.9 Watts 3.9 W Part number made to order



- Torque rating of gearbox : 0.5 Nm, sintered metal gears
- Motors : nominal power 3 W, interference suppression for standard stocked products
- Speed range : 1 to 895 rpm
- Optional encoder built into the motor

#### Part numbers

|          | Type  | Type     | Voltage | Output speed (rpm) | Ratios (i) |
|----------|-------|----------|---------|--------------------|------------|
| 82862205 | 3.9 W | 828620/2 | 24 V    | 4,6                | 931        |

#### Specifications

##### Electrical characteristics

|                                                                                              |                 |
|----------------------------------------------------------------------------------------------|-----------------|
| Motor                                                                                        | 828600          |
| Gearbox                                                                                      | 810120 / 810122 |
| Maximum permitted torque from gearmotor under continuous conditions for 1 million turns (Nm) | 0,5             |
| Axial load static (daN)                                                                      | 1               |
| Radial load static (daN)                                                                     | 8               |
| Max. output power (W)                                                                        | 3,9             |
| Nominal output (W)                                                                           | 3               |
| Gearbox case temperature rise (°C)                                                           | 50              |
| Weight (g)                                                                                   | 160 / 170       |

#### Made to order products, available on request

##### Motors :

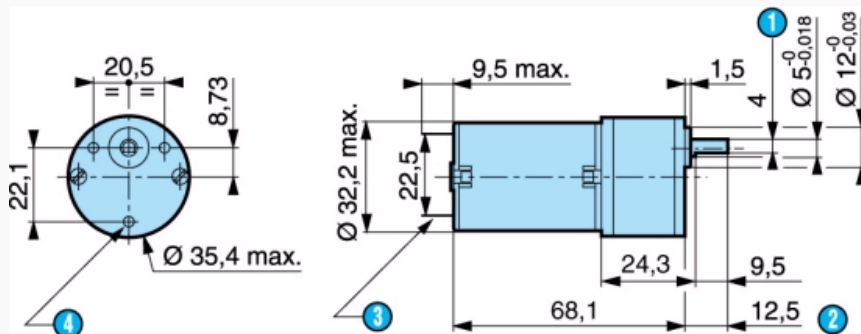
- other supply voltages
- motors with 2 ball bearings
- shaft lengths at front and/or rear
- connection by radial tags or leads
- specific interference suppression
- encoder : 5 pulses per revolution

##### Gearboxes :

- special shaft, no flat/length
- ball bearings
- special fixings
- other reduction ratios
- special lubrication

#### Dimensions (mm)

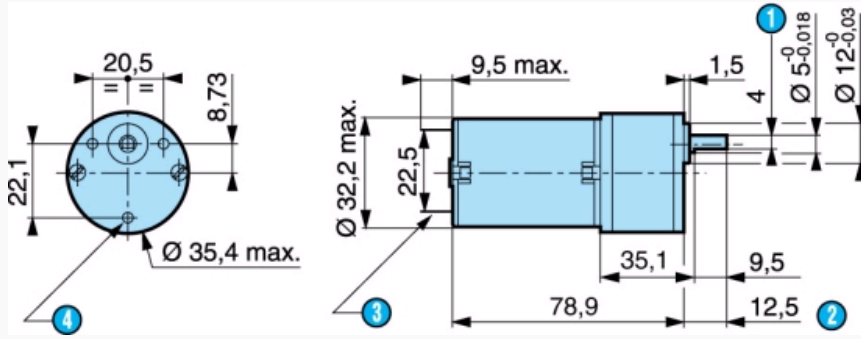
828620



| N° | Legend                                          |
|----|-------------------------------------------------|
| ①  | 4 across flats                                  |
| ②  | Shaft pushed-in                                 |
| ③  | 2 standard tags NFC 20-120, series 2.8 x 0.5 mm |
| ④  | 3 holes M3 depth 4.5 mm                         |

Dimensions (mm)

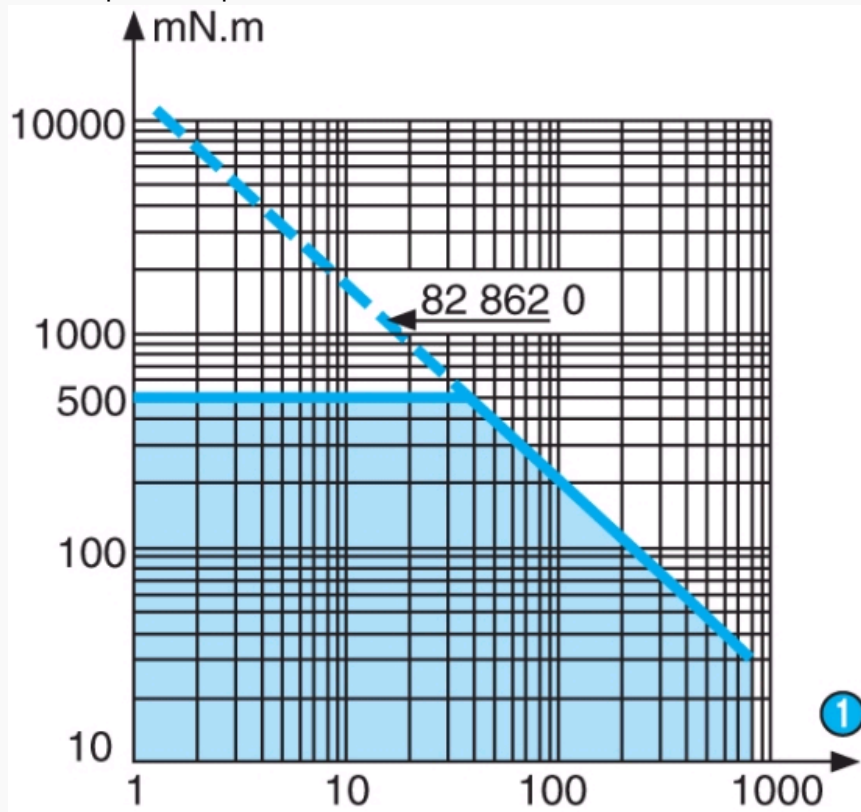
828622



| N° | Legend                                          |
|----|-------------------------------------------------|
| 1  | 4 across flats                                  |
| 2  | Shaft pushed-in                                 |
| 3  | 2 standard tags NFC 20-120, series 2.8 x 0.5 mm |
| 4  | 3 holes M3 depth 4.5 mm                         |

Curves

Curve : torque/nominal speed



| N° | Legend |
|----|--------|
| 1  | rpm    |

Product adaptations



- Special supply voltage
- Lead output
- 1 or 5 pulse Hall effect encoder
- Special connectors
- Special shaft

- Special reduction ratio
- Special materials for pinion
- Special ball bearings
- Special adaptor plate
- EMC filter
- With shorter 1 W motor