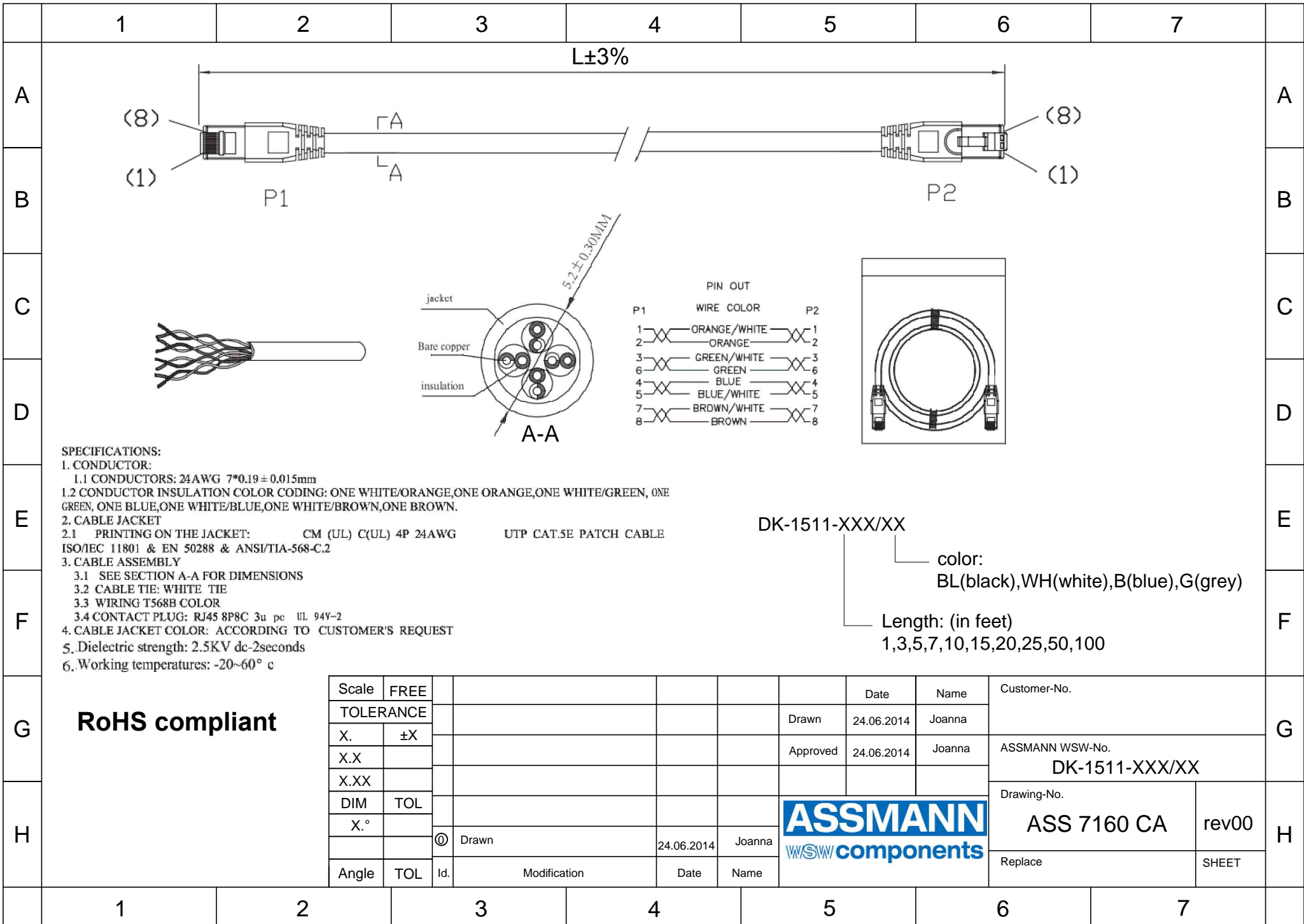




**THE DATASHEET OF  
DK-1511-025/B**





**SPECIFICATIONS:**

**1. CONDUCTOR:**

- 1.1 CONDUCTORS: 24AWG 7\*0.19±0.015mm
- 1.2 CONDUCTOR INSULATION COLOR CODING: ONE WHITE/ORANGE, ONE ORANGE, ONE WHITE/GREEN, ONE GREEN, ONE BLUE, ONE WHITE/BLUE, ONE WHITE/BROWN, ONE BROWN.

**2. CABLE JACKET**

- 2.1 PRINTING ON THE JACKET: CM (UL) C(UL) 4P 24AWG UTP CAT.5E PATCH CABLE

**3. CABLE ASSEMBLY**

- 3.1 SEE SECTION A-A FOR DIMENSIONS
- 3.2 CABLE TIE: WHITE TIE
- 3.3 WIRING T568B COLOR
- 3.4 CONTACT PLUG: RJ45 8P8C 3u pc UL 94V-2
- 4. CABLE JACKET COLOR: ACCORDING TO CUSTOMER'S REQUEST
- 5. Dielectric strength: 2.5KV dc-2seconds
- 6. Working temperatures: -20~60° c

DK-1511-XXX/XX

color:  
BL(black),WH(white),B(blue),G(grey)

Length: (in feet)  
1,3,5,7,10,15,20,25,50,100

**RoHS compliant**

Scale	FREE					Date	Name	Customer-No.
TOLERANCE						Drawn	24.06.2014	Joanna
X.	±X					Approved	24.06.2014	Joanna
X.X								
X.XX								
DIM	TOL							
X.°								
		ⓐ	Drawn	24.06.2014	Joanna			
Angle	TOL	Id.	Modification	Date	Name			

ASSMANN WSW-No. <b>DK-1511-XXX/XX</b>	
Drawing-No. <b>ASS 7160 CA</b>	rev00
Replace	SHEET