

WINSOURCE
ELECTRONICS
THE DATASHEET OF
AD-4310P4310P-1

win-source.net



0086-755-83957316

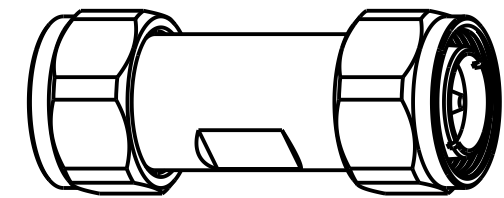
NOTES:

1. MATERIAL AND FINISH (PLATING THICKNESS IN MICRO-INCHES):
 BODY - BRASS, ALBALOY PLATING
 CONTACT PIN - BRASS, SILVER PLATING
 INSULATOR - PTFE, NATURAL
2. ELECTRICAL:
 A. IMPEDANCE: 50 OHM
 B. FREQUENCY RANGE: DC-6 GHz
 C. RETURN LOSS: 1.15 MAX. @ DC-4GHz
 1.2 MAX. @ 4-6 GHz
 D. INSERTION LOSS: 0.05+0.05*SQRT(f) dB
 E. INTERMODULATION 3RD ORDER: -166 dBc MAX. (2*43 dBm)
 F. DIELECTRIC WITHSTANDING VOLTAGE: 2500 VRMS. MIN. 60 Hz
 G. INSULATION RESISTANCE: 5000 MΩ MIN.
3. MECHANICAL:
 A. DURABILITY: 500 CYCLES MIN.
 B. TEMPERATURE RANGE: -65°C TO +165°C

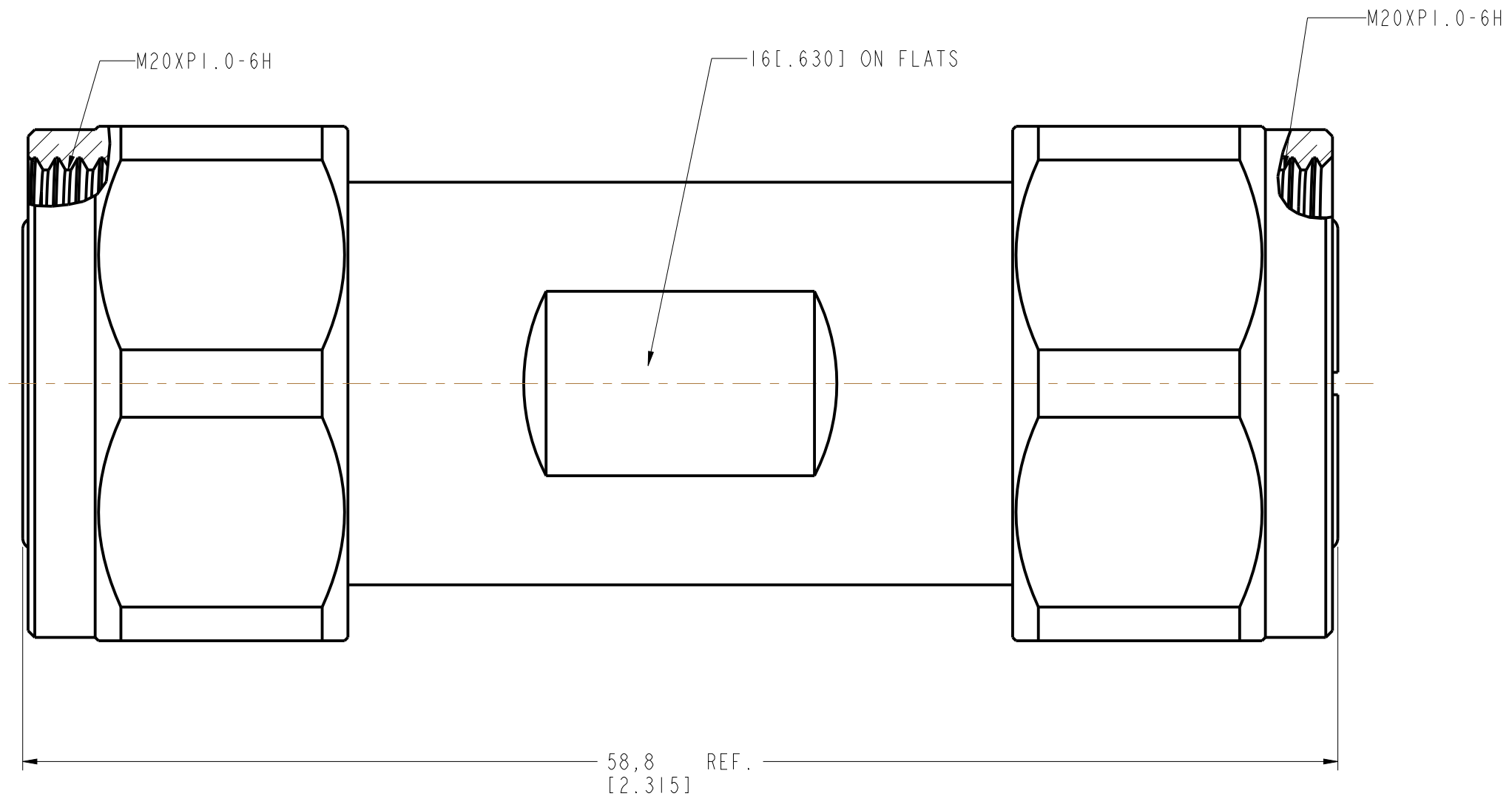
THIRD ANGLE PROJ.

REVISIONS

REV	DESCRIPTION	DATE	ECO	APPR
A	RELEASE TO MFG.	3/22/16	00201	KCE



SCALE 1.000



CUSTOMER OUTLINE DRAWING
 ALL OTHER SHEETS ARE FOR INTERNAL USE ONLY

UNLESS OTHERWISE SPECIFIED, DIMENSIONS ARE IN METRIC AND TOLERANCES ARE: <0.5mm ±0.05mm 0.5 - 6mm ±0.1mm 6 - 30mm ±0.2mm 30 - 120mm ±0.3mm ANGLES ±1° NOTICE - These drawings, specifications, or other data (1) are, and remain the property of Amphenol corp. (2) must be returned upon request; and (3) are confidential and not to be disclosed to any person other than those to whom they are given by Amphenol Corp. the furnishing of these drawings, specifications, or other data by Amphenol Corp., or to any other person to anyone for any purpose is not to be regarded by implication or otherwise in any manner licensing, granting rights to permitting such holder or any other sperson to manufacture, use or sell any product, process or design, patented or otherwise, that may in any way be related to or disclosed by said drawings, specifications, or other data.	MATERIAL	DRAWN JEKY.C	DATE 29-Dec-14	TITLE 4.3-10 PLUG TO 4.3-10 PLUG ADAPTER	Amphenol RF www.amphenolrf.com	
		ENGINEER	DATE 29-Dec-14			
	REFERENCE EAR 6396 AND AD-4310P4310P-1	APPROVED	DATE	SCALE: 4.0:1.0	SHEET 2 OF 2	DRAWING NO. 4310M-4310M-ATS
	CONFIGURATION LEVEL:	CAD FILE	DWG SIZE B	REV A	ITEM NO. 88M-88M-AB-5-F	PART NO. AD-4310P4310P-1