



THE DATASHEET OF MTX-4503

win-source.net



0086-755-83957316



PART NAME

EXTERNAL BRACKETS KIT

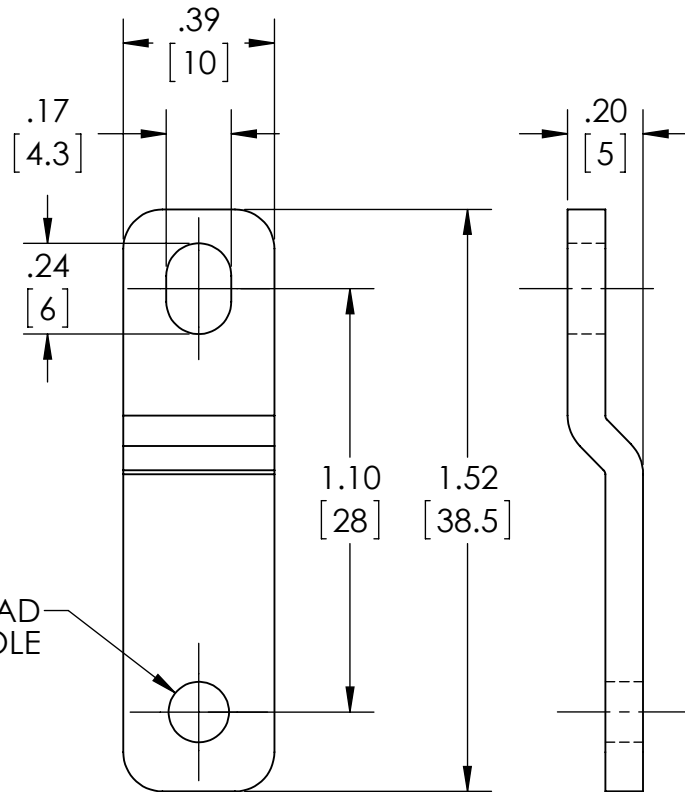
PART No.

MTX-4503

REV. DATE

10-27-15

DRAWING FOR REFERENCE
WE RESERVE THE RIGHT TO MAKE CHANGES TO OUR STANDARD PRODUCTS. PLEASE CONSULT WITH BUD INDUSTRIES PRIOR TO USING THIS DRAWING FOR DESIGN PURPOSE.



MATERIAL: STAINLESS STEEL 304

FINISH: NATURAL

DIMENSIONS IN INCH [MM]

KIT CONSISTS OF THE FOLLOWING ITEMS:

- QTY. (4) BRACKETS
- QTY. (4) M4 SCREWS
- QTY. (4) M4 FLAT WASHERS
- QTY. (4) M4 SPLIT LOCKWASHERS

WILL FIT THE FOLLOWING ENCLOSURES:

- #ATX-10501
- #ATX-10503

M4 THREAD HOLE

