



**THE DATASHEET OF
ZL88601LDG1**



Features

- **Next Generation ZL880 VoicePort Family with Enhanced Features and Performance**
 - Same API interface as the *VE880 Series*
 - Lowest Bill of Materials (BOM) cost for 2 to 8 channel applications
- **Complete BORSCHT Functions for Two FXS Channels in a Single 64-Pin 9x9 QFN Package**
 - Battery feed, Over-voltage support, integrated Ringing, line Supervision, Codec, Hybrid (2W/4W), and Test
- **Integrated Power Management**
 - Single power supply using integrated battery switches for lowest BOM cost
 - Low Power Idle Mode with 60 mW consumption
 - Internal FET drive circuit for lower BOM count
 - Integrated real-time power monitoring tool
- **Ringing**
 - 5 REN with pin for pin compatible 100-V (ZL88601) and 120-V (ZL88602) devices
 - Internally generated sinusoidal or trapezoidal ringing with programmable DC offset
- **Worldwide Programmability**
 - Input impedance, balance impedance, gain
 - DC feed voltage and current limit
 - Ringing frequency, voltage and current limit
 - G.711 μ -law, A-law, or 16 bit linear coding
 - Call progress tone and Caller ID generation
 - Sample coefficients for more than 70 countries
- **Pin-Selectable PCM/MPI or ZSI Interfaces**
 - SPI Mode 0 and 3 support and no inter byte \overline{CS} off time. Also supports legacy MPI Interface.
 - ZSI Mode for a smaller number of interface signals to the host and less expensive isolation
- **VoicePath SDK and VP-API-II Software Available to Implement FXS Functions**
- **VeriVoice Software Suites Available for Manufacturing and Subscriber Loop Testing**
 - Utilizes integrated test tool box

142176

June 2012

Ordering Information

Device OPN ¹	Device Type	Package	Packing
ZL88601LDF1	100V-ABS	64-pin QFN (9x9)	Tape & Reel
ZL88601LDG1	100V-ABS	64-pin QFN (9x9)	Tray
ZL88602LDF1	120V-ABS	64-pin QFN (9x9)	Tape & Reel
ZL88602LDG1	120V-ABS	64-pin QFN (9x9)	Tray

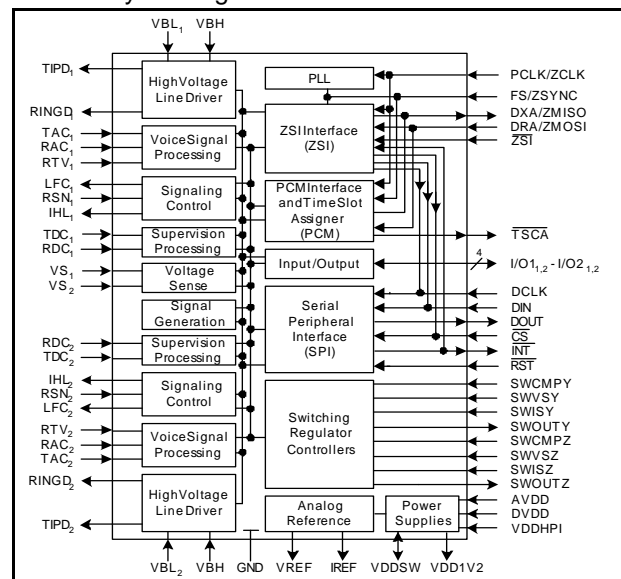
1. The Green package meets RoHS Directive 2002/95/EC of the European Council to minimize the environmental impact of electrical equipment.

Applications

- DSL Residential Gateways and Integrated Access Devices (IADs)
- Cable eMTAs
- PON Single Family Units (SFUs)
- Fiber to the Premise/Home/Building (FTTx) Multiple Dwelling Units (MDUs)

Description

The Microsemi[®] ZL88601/602 Dual Channel Wideband Automatic Battery Switching (ABS) VoicePort Device provides complete BORSCHT functions for two telephone line FXS ports. This device is part of the new *ZL880 Series* featuring enhanced functionality, lower BOM cost, and greater power efficiency, while maintaining software compatibility with the industry leading *VE880 Series*.



VoicePort Device Block Diagram

